

Pressure gauge kit DPA

FESTO



Datasheet

Technical data



Pneumatic connection ¹⁾	G1/8	G1/4	R1/8
Nominal size of pressure gauge	40		27
Design	Bourdon tube pressure gauge		
Conforms to standard	EN 837-1		
Type of mounting	Via male thread		
Mounting position	optional		
Ambient temperature	5 ... 60°C		
Measurement accuracy class	2.5		4
Degree of protection	IP43		
Product weight	250 g	305 g	16 g

1) Pressure gauges with R thread must be sealed with PTFE tape.

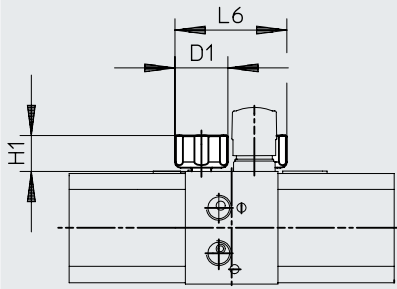
Materials

Nominal size of pressure gauge	27	40
Material housing	PA	ABS
Material screen	PS	
Housing colour	black	
Note on materials	RoHS-compliant	
LABS (PWIS) conformity	VDMA24364-B1/B2-L	

Dimensions

Dimensions

Download CAD data www.festo.com

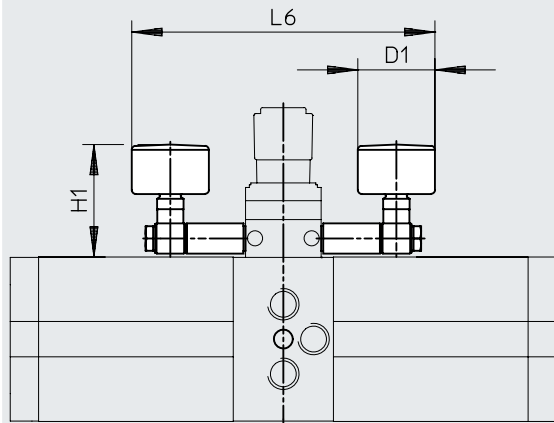


	D1 \varnothing	H1	L6
DPA-40-10-MA-SET	28	19	59,2
DPA-40-16-MA-SET			

Dimensions


Dimensions


Download CAD data www.festo.com



	D1 ∅	H1	L6
DPA-63-10-MA-SET	39	65	159
DPA-63-16-MA-SET	39	75	173
DPA-100-10-MA-SET	39	82,5	173
DPA-100-16-MA-SET	39	82,5	173

Ordering data

Ordering data DPA-40-...-MA-SET						
	Description	Nominal size of pressure gauge	Operating pressure	Product weight	Part no.	Type
	For DPA-40	27	10 bar	16 g	540781	DPA-40-10-MA-SET
			16 bar		540782	DPA-40-16-MA-SET

Ordering data DPA-63/100-...-MA-SET						
	Description	Nominal size of pressure gauge	Operating pressure	Product weight	Part no.	Type
	For DPA-63	40	10 bar	250 g	526096	DPA-63-10-MA-SET
	For DPA-100			305 g	526098	DPA-100-10-MA-SET
	For DPA-63	16 bar	250 g	305 g	526097	DPA-63-16-MA-SET
	For DPA-100				526099	DPA-100-16-MA-SET