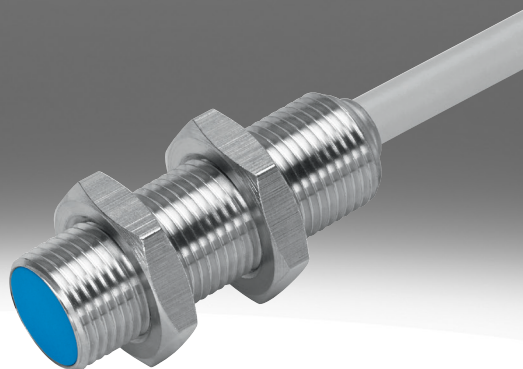


Proximity switch SIEN

FESTO



Type code

001	Series	
SIEN	Proximity sensor, inductive, with standard switching distance	

002	Design	
4	Round, diameter 4 mm	
6,5	Round, diameter 6.5 mm	
M5	Round, M5x0.5	
M8	Round, M8x1	
M12	Round, M12x1	
M18	Round, M18x1	
M30	Round, M30x1.5	

003	Mounting type	
B	Flush	
NB	Not flush	

004	Switching input/output	
N	NPN	
P	PNP	

005	Switching element function	
O	N/C contact	
S	N/O contact	

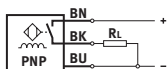
006	Electrical connection	
K	Open end	
S	Plug M8x1, 4-pin	

007	Display	
L	Switching status	

008	Housing material	
	Standard	
PA	Polyamide housing	

Datasheet

General technical data, basic type



Size	4 mm	6.5 mm	M5x0.5	M8x1	M12x1	M18x1	M30x1.5	
Conforms to standard	EN 60947-5-2							
Approval	RCM trademark, c UL us listed (OL)							
CE mark (see declaration of conformity) ¹⁾	To EU EMC Directive, In accordance with EU RoHS Directive							
Note on materials	–			RoHS-compliant		–		RoHS-compliant
LABS (PWIS) conformity	VDMA24364-B2-L							

1) For information about the area of use, see the declaration of conformity at: www.festo.com/catalogue/sien → Support/Downloads.

If the devices are subject to usage restrictions in residential, commercial or light-industrial environments, further measures for the reduction of the emitted interference may be necessary.

Input signal, measuring element, basic type

Ambient temperature	-25 ... 70°C						
---------------------	--------------	--	--	--	--	--	--

Output, general, basic type

Size	4 mm	6.5 mm	M5x0.5	M8x1	M12x1	M18x1	M30x1.5
Repetition accuracy	0.04 mm	–				0.25 ... 0.4 mm	0.5 ... 0.75 mm

Switching output, basic type

Mounting type	Flush						
Size	4 mm	6.5 mm	M5x0.5	M8x1	M12x1	M18x1	M30x1.5
Switching output	NPN, PNP						
Switching element function	N/C contact, N/O contact						
Rated operating distance	0.8 mm	1.5 mm	0.8 mm	1.5 mm	2 mm	5 mm	10 mm
Assured operating distance	0.64 mm	1.21 mm	–	1.21 mm	1.62 mm	4.05 mm	8.1 mm
Reduction factors	Aluminium = 0.4 Stainless steel St 18/8 = 0.7 Copper = 0.3 Brass = 0.4 Steel St 37 = 1.0	Aluminium = 0.25 Stainless steel St 18/8 = 0.7 Copper = 0.2 Brass = 0.35 Steel St 37 = 1.0	–	Aluminium = 0.25 Stainless steel St 18/8 = 0.7 Copper = 0.2 Brass = 0.35 Steel St 37 = 1.0	Aluminium = 0.4 Stainless steel St 18/8 = 0.6 Copper = 0.3 Brass = 0.5 Steel St 37 = 1.0	Aluminium = 0.4 Stainless steel St 18/8 = 0.8 Copper = 0.4 Brass = 0.5 Steel St 37 = 1.0	Aluminium = 0.45 Stainless steel St 18/8 = 0.8 Copper = 0.4 Brass = 0.55 Steel St 37 = 1.0
Hysteresis	–	≤0.07 mm	–	≤0.07 mm	≤0.18 mm	≤0.55 mm	≤1.1 mm
Max. switching frequency	3,000 Hz	5,000 Hz			3,000 Hz	2,000 Hz	1,200 Hz
Max. output current	200 mA						
Voltage drop	2 V	≤2 V	–	≤2 V		2 V	≤2 V

Switching output, basic type

Mounting type	Not flush			
Size	M8x1	M12x1	M18x1	M30x1.5
Switching output	NPN, PNP			
Switching element function	N/C contact, N/O contact			
Rated operating distance	2.5 mm	4 mm	8 mm	15 mm
Assured operating distance	2.03 mm	3.24 mm	6.48 mm	12.15 mm
Reduction factors	Aluminium = 0.25 Stainless steel St 18/8 = 0.7 Copper = 0.2 Brass = 0.35 Steel St 37 = 1.0	Aluminium = 0.5 Stainless steel St 18/8 = 0.9 Copper = 0.5 Brass = 0.6 Steel St 37 = 1.0	Aluminium = 0.5 Stainless steel St 18/8 = 0.8 Copper = 0.4 Brass = 0.5 Steel St 37 = 1.0	Aluminium = 0.5 Stainless steel St 18/8 = 0.85 Copper = 0.43 Brass = 0.53 Steel St 37 = 1.0
Hysteresis	≤0.12 mm	≤0.36 mm	≤0.88 mm	≤1.65 mm
Max. switching frequency	3,000 Hz	2,000 Hz		700 Hz
Max. output current	200 mA			
Voltage drop	≤2 V			

Datasheet

Output, further data, basic type

Short circuit current rating	Pulsed
Inductive protective circuit	Integrated

Electronics, basic type

Size	4 mm	6.5 mm	M5x0.5	M8x1	M12x1	M18x1	M30x1.5
Operational voltage range DC	10 ... 30 V						
Immunity to surge	–		1 kV	–		0.8 kV	
Residual ripple	10%	± 10%	–	± 10%		+/- 20%	
No-load supply current	≤10 mA		–	≤10 mA			
Reverse polarity protection	For all electrical connections						

Electromechanics, basic type with cable

Size	4 mm	6.5 mm	M5x0.5	M8x1	M12x1	M18x1	M30x1.5
Electrical connection 1, connection type	Cable						
Cable length	2.5 m						
Electrical connection 1, connector system	Open end						
Electrical connection 1, number of connections/cores	3						
Electrical connection 1, used connections/cores	3						
Material cable sheath	TPE-U(PUR)						

Electromechanics, basic type

Size	4 mm	6.5 mm	M5x0.5	M8x1	M12x1	M18x1	M30x1.5
Electrical connection 1, connection type	Plugs						
Cable length	–						
Electrical connection 1, connector system	M8x1, A-coded, to EN 61076-2-104				M12x1, A-coded to EN 61076-2-101		
Electrical connection 1, number of connections/cores	3				4		
Electrical connection 1, used connections/cores	3						
Electrical connection 1, type of mounting	Snap-locking, Screw-type lock, Not rotatable				Screw-type lock, Not rotatable		
Electrical connection 1, compatible type of mounting	Compatible with latching lock, Compatible with rotatable screw-type lock				Compatible with rotatable screw-type lock		

Mechanics, basic type

Size	4 mm	6.5 mm	M12x1				M18x1		
Type of mounting	Clamped			Via lock nut					
Mounting type	Flush			Not flush	Flush	Not flush	Flush	Not flush	Flush
Tightening torque	–							20 Nm	
Material housing	High-alloy stainless steel	Brass PA High-alloy stainless steel Chrome-plate d	PA High-alloy stainless steel	Brass PBTP Nickel-plated					

Datasheet

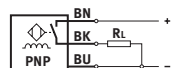
Mechanics, basic type					
Size	M5x0.5	M8x1	M30x1.5		
Type of mounting	Via lock nut				
Mounting type	Flush	Flush, Not flush		Not flush	Flush
Tightening torque	1.5 Nm	–		40 Nm	
Material housing	PA High-alloy stainless steel	Brass PA PBTP High-alloy stainless steel Chrome-plated	PA PBTP High-alloy stainless steel	Brass PA PBTP Chrome-plated	Brass PBTP Chrome-plated

Display, operation, basic type	
Switching status indication	Yellow LED

Immission, emission, basic type							
Size	4 mm	6.5 mm	M5x0.5	M8x1	M12x1	M18x1	M30x1.5
Ambient temperature with moving cable	–	-5 ... 70°C					
Degree of protection	IP67	IP65, IP67	IP67	IP65, IP67		IP67	
Immunity to surge	–	1 kV		–	0.8 kV		
Pollution degree	–	3		–	3		
Corrosion resistance class CRC ¹⁾	–	2 - Moderate corrosion stress	4 - Very high corrosion stress	2 - Moderate corrosion stress		–	

¹⁾ More information: www.festo.com/x/topic/crc

General technical data, polyamide housing



Size	M12	M18	M30
Design	Round		
Conforms to standard	EN 60947-5-2		
Approval	RCM trademark, c UL us listed (OL)		
CE mark (see declaration of conformity) ¹⁾	To EU EMC Directive, To EU Low Voltage Directive, In accordance with EU RoHS Directive		

¹⁾ For information about the area of use, see the declaration of conformity at: www.festo.com/catalogue/sien → Support/Downloads.

If the devices are subject to usage restrictions in residential, commercial or light-industrial environments, further measures for the reduction of the emitted interference may be necessary.

Input signal, measuring element, polyamide housing

Ambient temperature	-25 ... 70°C
---------------------	--------------

Output, general, polyamide housing

Size	M12	M18	M30
Repetition accuracy	0.04 ... 0.08 mm	0.1 ... 0.16 mm	0.2 ... 0.3 mm

Datasheet

Switching output, polyamide housing

Mounting type	Flush			Not flush		
Size	M12	M18	M30	M12	M18	M30
Switching output	PNP					
Switching element function	N/O contact					
Rated operating distance	2 mm	5 mm	10 mm	4 mm	8 mm	15 mm
Assured operating distance	1.62 mm	4.05 mm	8.1 mm	3.24 mm	6.48 mm	12.15 mm
Reduction factors	Aluminium = 0.35 - 0.5, Stainless steel St 18/8 = 0.6 - 1.0, Copper = 0.25 - 0.45, Brass = 0.35 - 0.5, Steel St 37 = 1.0					
Hysteresis	0.06 ... 0.3 mm	0.15 ... 0.75 mm	0.3 ... 1.5 mm	0.12 ... 0.6 mm	0.24 ... 1.2 mm	0.45 ... 2.25 mm
Max. switching frequency DC	2,000 Hz		500 Hz	2,000 Hz		500 Hz
Max. output current	200 mA					
Voltage drop	≤1.8 V					

Output, further data, polyamide housing

Short circuit current rating	Pulsed
------------------------------	--------

Electronics, polyamide housing

Size	M12	M18	M30
Operational voltage range DC	10 ... 30 V		
Residual ripple	10%		
No-load supply current	≤15 mA		
Reverse polarity protection	For all electrical connections		

Electromechanics, polyamide housing

Size	M12	M18	M30
Electrical connection	3-wire, Cable		
Electrical connection 1, connection type	Cable		
Electrical connection 1, connector system	Open end		
Electrical connection 1, number of connections/cores	3		
Electrical connection 1, used connections/cores	3		
Cable length	2.5 m		
Material cable sheath	PVC		
Material insulating sheath	PVC		

Mechanics, polyamide housing

Size	M12	M18	M30			
Mounting type	Flush	Not flush	Flush	Not flush	Flush	Not flush
Type of mounting	Via lock nut					
Tightening torque	1 Nm		2 Nm		5 Nm	
Material housing	PA-reinforced					

Display, operation, polyamide housing

Switching status indication	Yellow LED
-----------------------------	------------

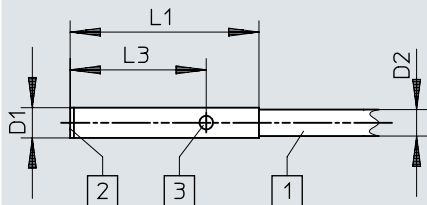
Immission, emission, polyamide housing

Size	M12	M18	M30
Ambient temperature with moving cable	0 ... 70°C		
Degree of protection	IP65, IP67		
Corrosion resistance class CRC ¹⁾	4 - Very high corrosion stress		

1) More information: www.festo.com/x/topic/crc

Dimensions

Dimensions – 4 mm, flush mounted, cable

Download CAD data www.festo.com

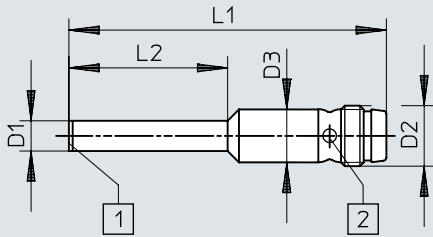
- [1] 3-core cable 2.5 m long
- [2] Active surface
- [3] 1 switching status indication, yellow

	D1 ∅	D2 ∅	L1	L3
SIEN-4B-...-K-L	4	3,5	25	18

Dimensions

Dimensions – 4 mm, flush mounted, plug

Download CAD data www.festo.com

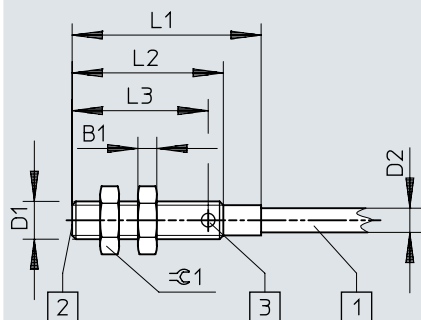


- [1] Active surface
- [2] 4 switching status indications, yellow

	D1 ø	D2	D3 ø	L1	L2
SIEN-4B-...-S-L	4	M8x1	6,5	38	21

Dimensions

Dimensions – M5, flush mounted, cable

Download CAD data www.festo.com

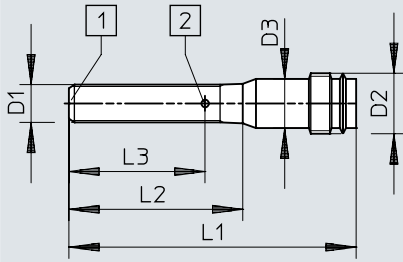
- [1] 3-core cable 2.5 m long
- [2] Active surface
- [3] 1 switching status indication, yellow

	B1	D1	D2 ∅	L1	L2	L3	≙ 1
SIEN-M5B-...-K-L	2,5	M5x0,5	3,5	25	20	18	7

Dimensions

Dimensions – M5, flush mounted, plug

Download CAD data www.festo.com

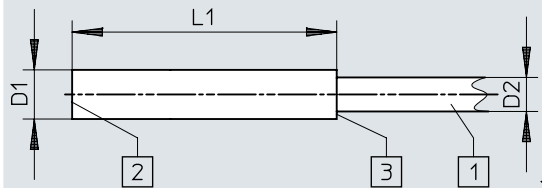


- [1] Active surface
- [2] 1 switching status indication, yellow

	D1	D2	D3	L1	L2	±G 1
SIEN-M5B-...-S-L	M5x0,5	M8x1	6,5 ∅	38	23	6,5

Dimensions

Dimensions – 6.5 mm, flush mounted, cable

Download CAD data www.festo.com

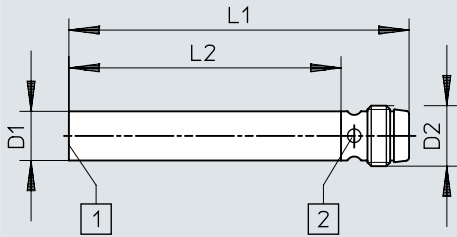
- [1] 3-core cable 2.5 m long
- [2] Active surface
- [3] 1 switching status indication, yellow

	D1 ∅	D2 ∅	L1
SIEN-M6,5B-...-K-L	6,5	3,5	35

Dimensions

Dimensions – 6.5 mm, flush mounted, plug

Download CAD data www.festo.com

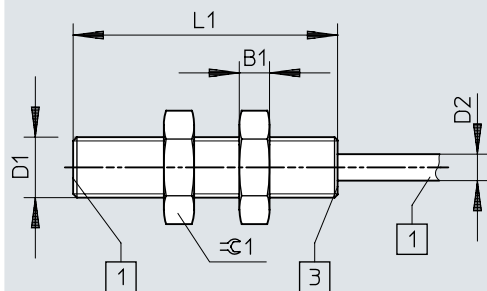


- [1] Active surface
- [2] 4 switching status indications, yellow

	D1 ∅	D2	L1	L2
SIEN-M6,5B-...-S-L	6,5	M8x1	45	36

Dimensions

Dimensions – M8, flush mounted, cable

Download CAD data www.festo.com

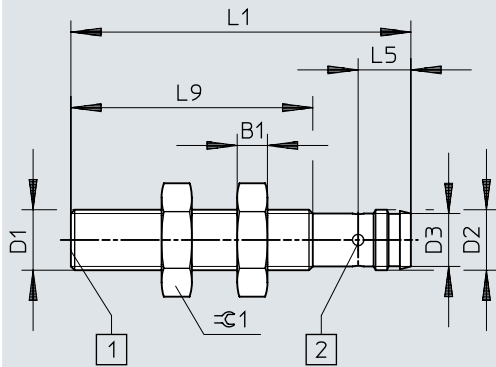
- [1] 3-core cable 2.5 m long
- [2] Active surface
- [3] 1 switching status indication, yellow

	B1	D1	D2 ∅	L1	⊕ 1
SIEN-M8B-...-K-L	4	M8x1	3,5	35	13

Dimensions

Dimensions – M8, flush mounted, plug

Download CAD data www.festo.com

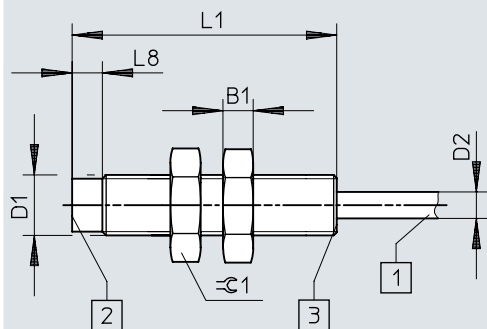


- [1] Active surface
- [2] 4 switching status indications, yellow

	B1	D1	D2	L1	L5	L9	0.1
SIEN-M8B-...-S-L	4	M8x1	M8x1	45	7	32	13

Dimensions

Dimensions – M8, not flush mounted, cable

Download CAD data www.festo.com

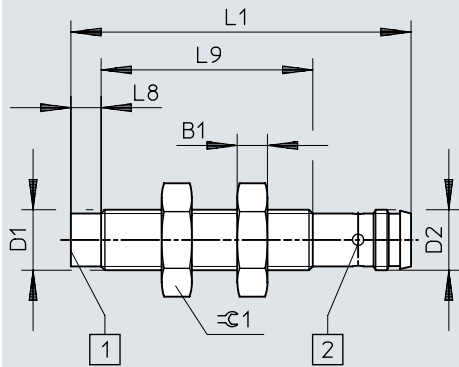
- [1] 3-core cable 2.5 m long
- [2] Active surface
- [3] 1 switching status indication, yellow

	B1	D1	D2 ∅	L1	L8	∅ 1
SIEN-M8NB-...-K-L	4	M8x1	3,5	35	4	13

Dimensions

Dimensions – M8, not flush mounted, plug

Download CAD data www.festo.com



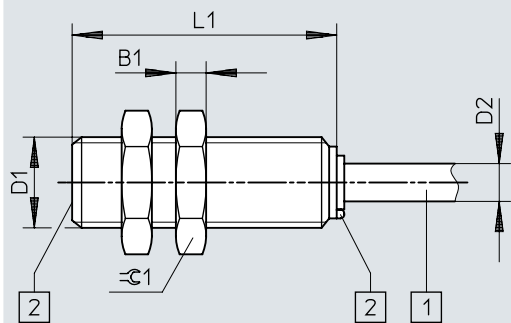
- [1] Active surface
- [2] 4 switching status indications, yellow

	B1	D1	D2	L1	L8	L9	±0.1
SIEN-M8NB-...-S-L	4	M8x1	M8x1	45	4	27,5	13

Dimensions

Dimensions – M12, flush mounted, cable

Download CAD data www.festo.com



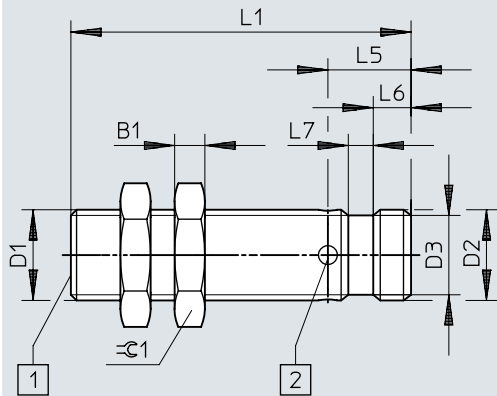
- [1] 3-core cable 2.5 m long
- [2] Active surface
- [3] 1 switching status indication, yellow

	B1	D1	D2 ∅	L1	±0.1
SIEN-M12B-...-K-L	4	M12x1	5	35	17

Dimensions

Dimensions – M12, flush mounted, plug

Download CAD data www.festo.com

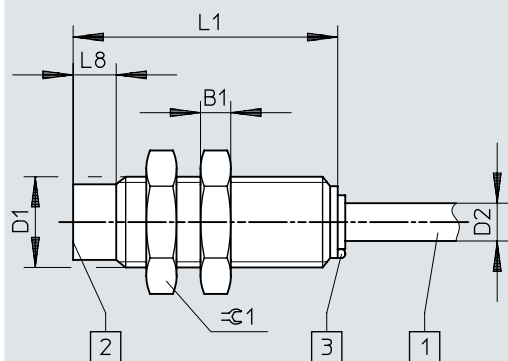


- [1] Active surface
- [2] 4 switching status indications, yellow

	B1	D1	D2	L1	L5	L6	L7	⌀ 1
SIEN-M12B-...-S-L	4	M12x1	M12x1	45	11	5	3,3	17

Dimensions

Dimensions – M12, not flush mounted, cable

Download CAD data www.festo.com

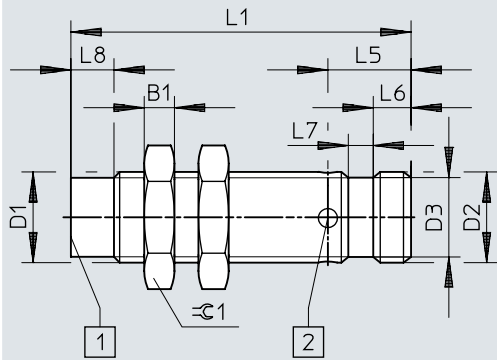
- [1] 3-core cable 2.5 m long
- [2] Active surface
- [3] 1 switching status indication, yellow

	B1	D1	D2	L1	L8	⊘ 1
SIEN-M12NB-...-K-L	4	M12x1	5 ∅	35	5,7	17

Dimensions

Dimensions – M12, not flush mounted, plug

Download CAD data www.festo.com



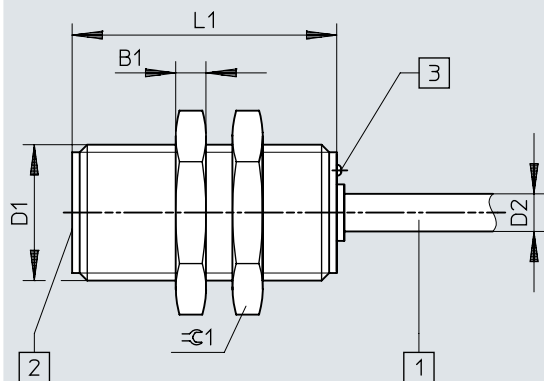
- [1] Active surface
- [2] 4 switching status indications, yellow

	B1	D1	D2	D3 ∅	L1	L5	L6	L7	L8	±0.1
SIEN-M12NB-...-S-L	4	M12x1	M12x1	10,5	45	11	5	3,3	5,7	17

Dimensions

Dimensions – M18, flush mounted, cable

Download CAD data www.festo.com



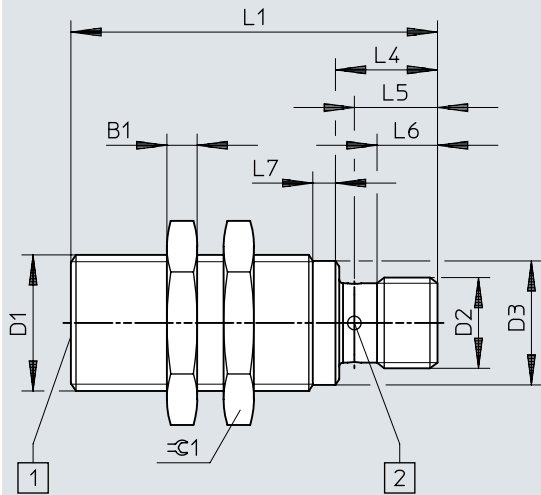
- [1] 3-core cable 2.5 m long
- [2] Active surface
- [3] 1 switching status indication, yellow

	B1	D1	D2 ∅	L1	≈ 1
SIEN-M18B-...-K-L	4	M18x1	5	35	24

Dimensions

Dimensions – M18, flush mounted, plug

Download CAD data www.festo.com

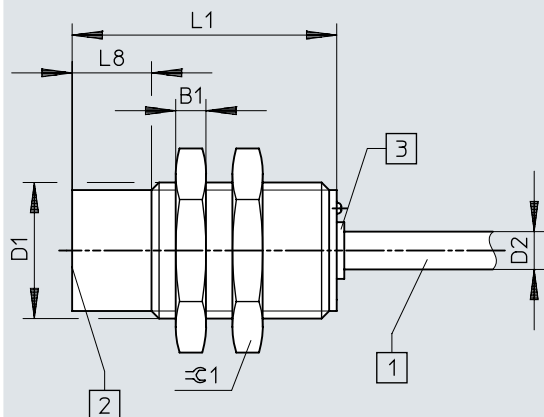


- [1] Active surface
- [2] 4 switching status indications, yellow

	B1	D1	D2	D3 ∅	L1	L4	L5	L6	L7	∅ 1
SIEN-M18B-...-S-L	4	M18x1	M12x1	16,4	48,5	13,5	11	8	3	24

Dimensions

Dimensions – M18, not flush mounted, cable

Download CAD data www.festo.com

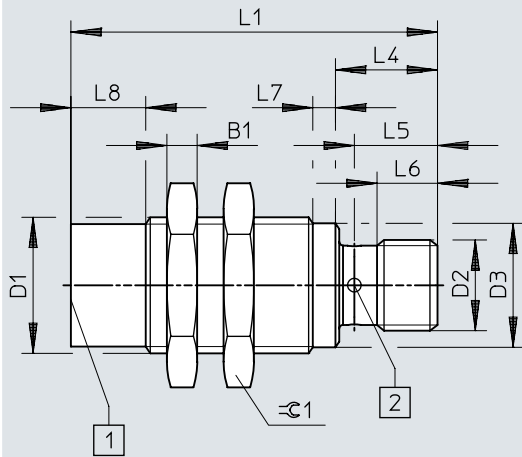
- [1] 3-core cable 2.5 m long
- [2] Active surface
- [3] 1 switching status indication, yellow

	B1	D1	D2	L1	L8	⌀ 1
SIEN-M18NB-...-K-L	4	M18x1	5 ∅	35	10	24

Dimensions

Dimensions – M18, not flush mounted, plug

Download CAD data www.festo.com



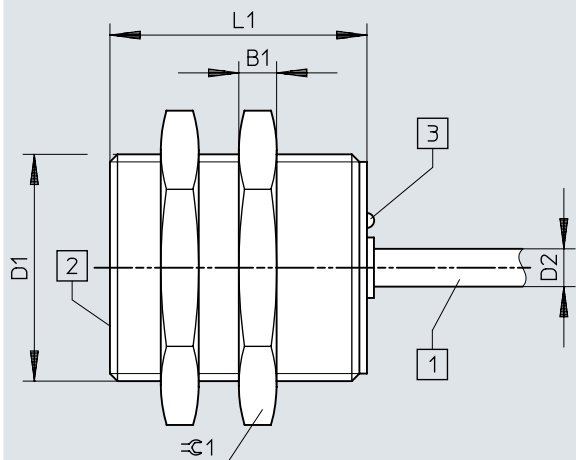
[1] Active surface

[2] 4 switching status indications, yellow

	B1	D1	D2	D3 ∅	L1	L4	L5	L6	L7	L8	⌀1
SIEN-M18NB-...-S-L	4	M18x1	M12x1	16,4	48,5	13,5	11	8	3	10	24

Dimensions

Dimensions – M30, flush mounted, cable

Download CAD data www.festo.com

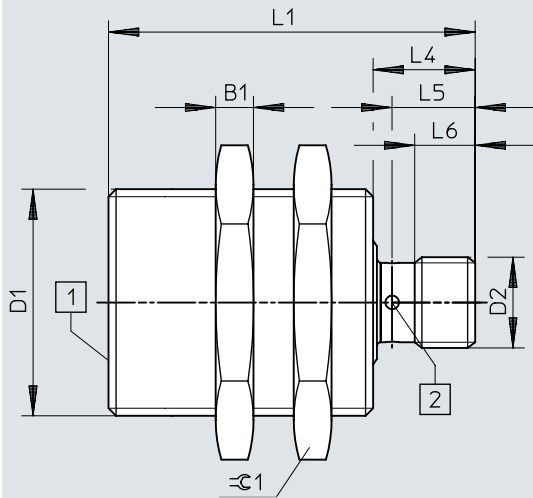
- [1] 3-core cable 2.5 m long
- [2] Active surface
- [3] 1 switching status indication, yellow

	B1	D1	D2 ∅	L1	∅ 1
SIEN-M30B-...-K-L	5	M30x1,5	5	35	36

Dimensions

Dimensions – M30, flush mounted, plug

Download CAD data www.festo.com

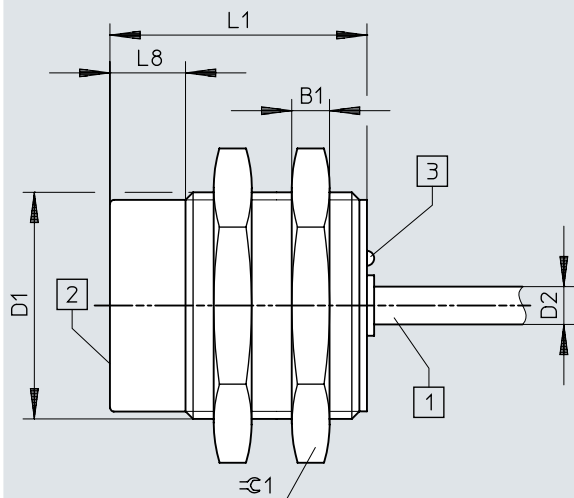


- [1] Active surface
- [2] 4 switching status indications, yellow

	B1	D1	D2	L1	L4	L5	L6	±0.1
SIEN-M30B-...-S-L	5	M30x1,5	M12x1	48,5	13,5	11	8	36

Dimensions

Dimensions – M30, not flush mounted, cable

Download CAD data www.festo.com

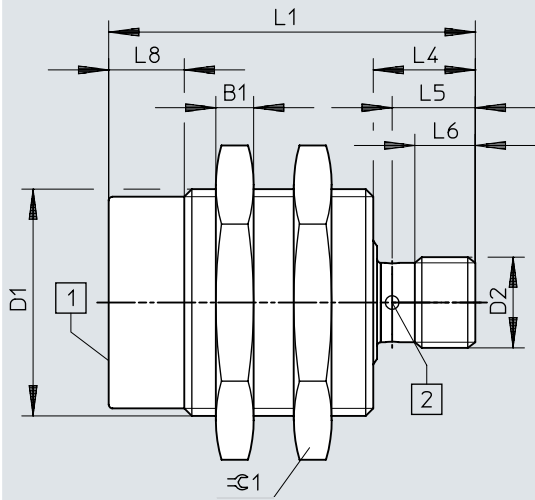
- [1] 3-core cable 2.5 m long
- [2] Active surface
- [3] 1 switching status indication, yellow

	B1	D1	D2 ∅	L1	L8	∅ 1
SIEN-M30NB-...-K-L	5	M30x1,5	5	35	10	36

Dimensions

Dimensions – M30, not flush mounted, plug

Download CAD data www.festo.com

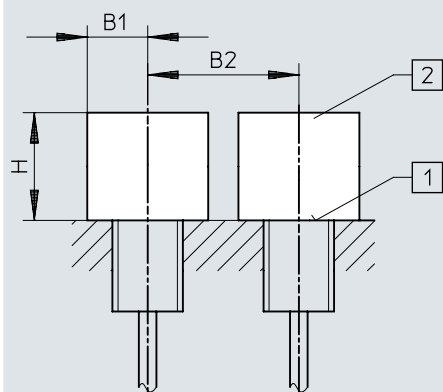


- [1] Active surface
- [2] 4 switching status indications, yellow

	B1	D1	D2	L1	L4	L5	L6	L8	±0.1
SIEN-M30NB-...-S-L	5	M30x1,5	M12x1	48,5	13,5	11	8	10	36

Dimensions

Dimensions – Installation note Flush mounted

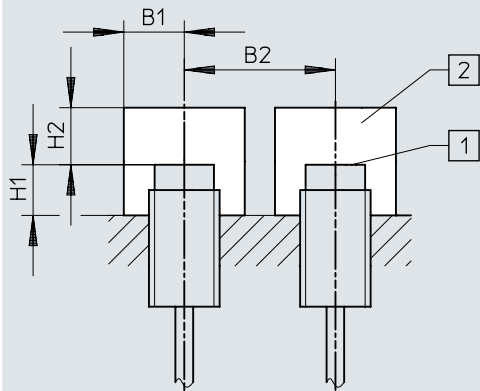
Download CAD data www.festo.com

- [1] Active surface
[2] Metal-free room

	B1	B2	H
SIEN-4B	2,5	5	2
SIEN-M5B	3,3	5	2,4
SIEN-6,5B	5	9,5	4,5
SIEN-M8B	5,5	10	4,5
SIEN-M12B	8	18	6
SIEN-M18B	14	32	15
SIEN-M30B	25	60	30

Dimensions

Dimensions – Installation note Not flush mounted

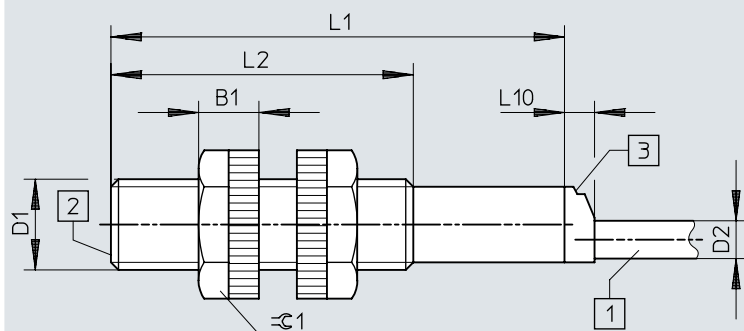
Download CAD data www.festo.com

- [1] Active surface
 [2] Metal-free room

	B1	B2	H1	H2
SIEN-M8NB	9	16	8	7,5
SIEN-M12NB	12	28	6	12
SIEN-M18NB	20	50	10	24
SIEN-M30NB	30	75	15	45

Dimensions

Dimensions – M12, cable

Download CAD data www.festo.com

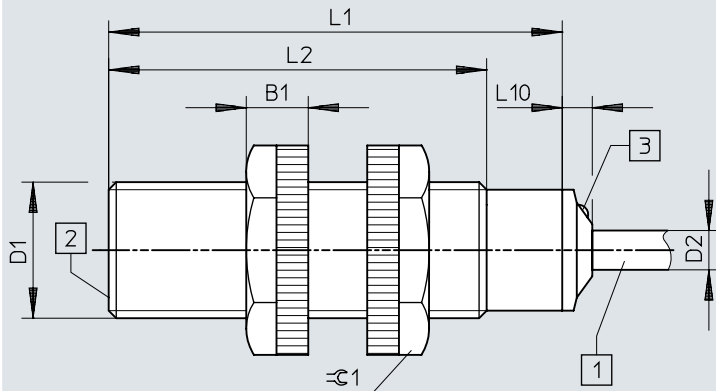
- [1] 3-core cable 2.5 m long
 [2] Active surface
 [3] 1 switching status indication, yellow

	B1	D1	D2 ∅	L1	L2	L10	⊕ 1
SIEN-M12-...-B-...-K-L-PA	8	M12x1	5	60	40	4	17

Dimensions

Dimensions – M18, cable

Download CAD data www.festo.com

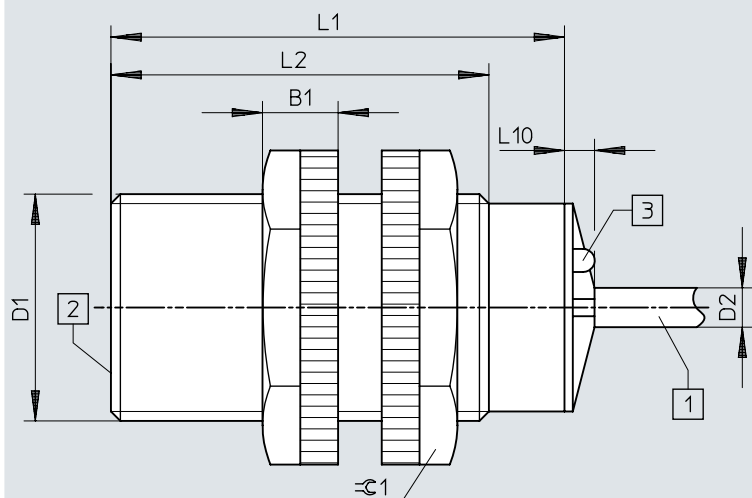


- [1] 3-core cable 2.5 m long
- [2] Active surface
- [3] 1 switching status indication, yellow

	B1	D1	D2 ∅	L1	L2	L10	∅ 1
SIEN-M18-...-B-...-K-L-PA	8,2	M18x1	5,2	60	50	4	24

Dimensions

Dimensions – M30, cable

Download CAD data www.festo.com

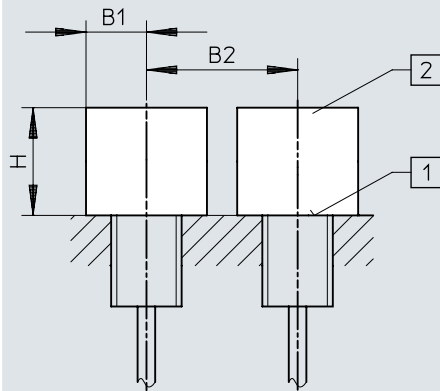
- [1] 3-core cable 2.5 m long
- [2] Active surface
- [3] 1 switching status indication, yellow

	B1	D1	D2 ∅	L1	L2	L10	±0.1
SIEN-M30-...-B-...-K-L-PA	10	M30x1,5	5	60	50	4	36

Dimensions

Dimensions – Installation note Flush mounted

Download CAD data www.festo.com

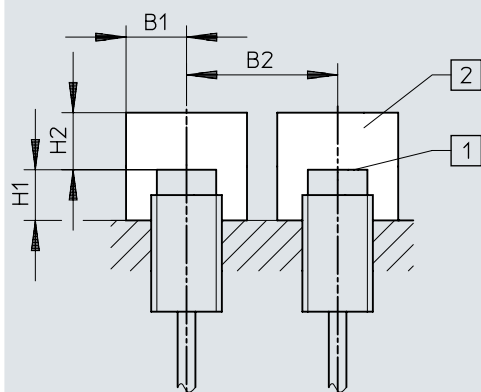


- [1] Active surface
- [2] Metal-free room

	B1	B2	H
SIEN-M12B-...-PA	18	24	6
SIEN-M18B-...-PA	27	36	15
SIEN-M30B-...-PA	45	60	30

Dimensions


Dimensions – Installation note Not flush mounted


Download CAD data www.festo.com


- [1] Active surface
[2] Metal-free room


	B1	B2	H1	H2
SIEN-M12NB-...-PA	18	36	8	12
SIEN-M18NB-...-PA	27	54	16	24
SIEN-M30NB-...-PA	45	90	30	45

Ordering data


Ordering data 4 mm						
	Mounting type	Switching output	Switching element function	Product weight	Part no.	Type
	Flush	NPN	N/C contact	9 g	150365	SIEN-4B-NO-S-L
				48 g	150364	SIEN-4B-NO-K-L
			N/O contact	9 g	150361	SIEN-4B-NS-S-L
				48 g	150360	SIEN-4B-NS-K-L
		PNP	N/C contact	9 g	150367	SIEN-4B-PO-S-L
				48 g	150366	SIEN-4B-PO-K-L
			N/O contact	9 g	150363	SIEN-4B-PS-S-L
				48 g	150362	SIEN-4B-PS-K-L


Ordering data M5						
	Mounting type	Switching output	Switching element function	Product weight	Part no.	Type
	Flush	NPN	N/C contact	4.3 g	150373	SIEN-M5B-NO-S-L
				33.6 g	150372	SIEN-M5B-NO-K-L
			N/O contact	4.3 g	150369	SIEN-M5B-NS-S-L
				33.6 g	150368	SIEN-M5B-NS-K-L
		PNP	N/C contact	4.3 g	150375	SIEN-M5B-PO-S-L
				33.6 g	150374	SIEN-M5B-PO-K-L
			N/O contact	4.3 g	150371	SIEN-M5B-PS-S-L
				33.6 g	150370	SIEN-M5B-PS-K-L


Ordering data 6.5 mm						
	Mounting type	Switching output	Switching element function	Product weight	Part no.	Type
	Flush	NPN	N/C contact	4 g	150381	SIEN-6,5B-NO-S-L
				45 g	150380	SIEN-6,5B-NO-K-L
			N/O contact	4 g	150377	SIEN-6,5B-NS-S-L
				45 g	150376	SIEN-6,5B-NS-K-L
		PNP	N/C contact	4 g	150383	SIEN-6,5B-PO-S-L
				45 g	150382	SIEN-6,5B-PO-K-L
			N/O contact	4 g	150379	SIEN-6,5B-PS-S-L
				45 g	150378	SIEN-6,5B-PS-K-L

Ordering data M8						
	Mounting type	Switching output	Switching element function	Product weight	Part no.	Type
	Flush	NPN	N/C contact	18 g	150389	SIEN-M8B-NO-S-L
				53 g	150388	SIEN-M8B-NO-K-L
			N/O contact	18 g	150385	SIEN-M8B-NS-S-L
				53 g	150384	SIEN-M8B-NS-K-L
		PNP	N/C contact	18 g	150391	SIEN-M8B-PO-S-L
				53 g	150390	SIEN-M8B-PO-K-L
			N/O contact	18 g	150387	SIEN-M8B-PS-S-L
				53 g	150386	SIEN-M8B-PS-K-L
	Not flush	NPN	N/C contact	18 g	150397	SIEN-M8NB-NO-S-L
				53 g	150396	SIEN-M8NB-NO-K-L
			N/O contact	18 g	150393	SIEN-M8NB-NS-S-L
				53 g	150392	SIEN-M8NB-NS-K-L
		PNP	N/C contact	18 g	150399	SIEN-M8NB-PO-S-L
				53 g	150398	SIEN-M8NB-PO-K-L
			N/O contact	18 g	150395	SIEN-M8NB-PS-S-L
				53 g	150394	SIEN-M8NB-PS-K-L

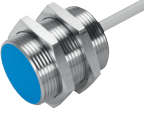
Ordering data


Ordering data M12						
	Mounting type	Switching output	Switching element function	Product weight	Part no.	Type
	Flush	NPN	N/C contact	30 g	150405	SIEN-M12B-NO-S-L
				110 g	150404	SIEN-M12B-NO-K-L
			N/O contact	30 g	150401	SIEN-M12B-NS-S-L
		110 g		150400	SIEN-M12B-NS-K-L	
		PNP	N/C contact	30 g	150407	SIEN-M12B-PO-S-L
				110 g	150406	SIEN-M12B-PO-K-L
	N/O contact		30 g	150403	SIEN-M12B-PS-S-L	
		110 g	150402	SIEN-M12B-PS-K-L		
	Not flush	NPN	N/C contact	25 g	150413	SIEN-M12NB-NO-S-L
				90 g	150412	SIEN-M12NB-NO-K-L
			N/O contact	25 g	150409	SIEN-M12NB-NS-S-L
		90 g		150408	SIEN-M12NB-NS-K-L	
		PNP	N/C contact	25 g	150415	SIEN-M12NB-PO-S-L
				90 g	150414	SIEN-M12NB-PO-K-L
N/O contact	25 g		150411	SIEN-M12NB-PS-S-L		
	90 g	150410	SIEN-M12NB-PS-K-L			


Ordering data M18						
	Mounting type	Switching output	Switching element function	Product weight	Part no.	Type
	Flush	NPN	N/C contact	43 g	150421	SIEN-M18B-NO-S-L
				108 g	150420	SIEN-M18B-NO-K-L
			N/O contact	43 g	150417	SIEN-M18B-NS-S-L
		108 g		150416	SIEN-M18B-NS-K-L	
		PNP	N/C contact	43 g	150423	SIEN-M18B-PO-S-L
				108 g	150422	SIEN-M18B-PO-K-L
	N/O contact		43 g	150419	SIEN-M18B-PS-S-L	
		108 g	150418	SIEN-M18B-PS-K-L		
	Not flush	NPN	N/C contact	40 g	150429	SIEN-M18NB-NO-S-L
				105 g	150428	SIEN-M18NB-NO-K-L
			N/O contact	40 g	150425	SIEN-M18NB-NS-S-L
		105 g		150424	SIEN-M18NB-NS-K-L	
		PNP	N/C contact	40 g	150431	SIEN-M18NB-PO-S-L
				105 g	150430	SIEN-M18NB-PO-K-L
N/O contact	40 g		150427	SIEN-M18NB-PS-S-L		
	105 g	150426	SIEN-M18NB-PS-K-L			


Ordering data M30						
	Mounting type	Switching output	Switching element function	Product weight	Part no.	Type
	Flush	NPN	N/C contact	100 g	150437	SIEN-M30B-NO-S-L
				155 g	150436	SIEN-M30B-NO-K-L
			N/O contact	100 g	150433	SIEN-M30B-NS-S-L
		155 g		150432	SIEN-M30B-NS-K-L	
		PNP	N/C contact	100 g	150439	SIEN-M30B-PO-S-L
				155 g	150438	SIEN-M30B-PO-K-L
	N/O contact		100 g	150435	SIEN-M30B-PS-S-L	
		155 g	150434	SIEN-M30B-PS-K-L		
	Not flush	NPN	N/C contact	100 g	150445	SIEN-M30NB-NO-S-L
				150 g	150444	SIEN-M30NB-NO-K-L
			N/O contact	100 g	150441	SIEN-M30NB-NS-S-L
		150 g		150440	SIEN-M30NB-NS-K-L	
		PNP	N/C contact	100 g	150447	SIEN-M30NB-PO-S-L
				150 g	150446	SIEN-M30NB-PO-K-L

Ordering data

Ordering data M30						
	Mounting type	Switching output	Switching element function	Product weight	Part no.	Type
	Not flush	PNP	N/O contact	100 g	538323	SIEN-M30NB-PS-S-L
				150 g	538329	SIEN-M30NB-PS-K-L

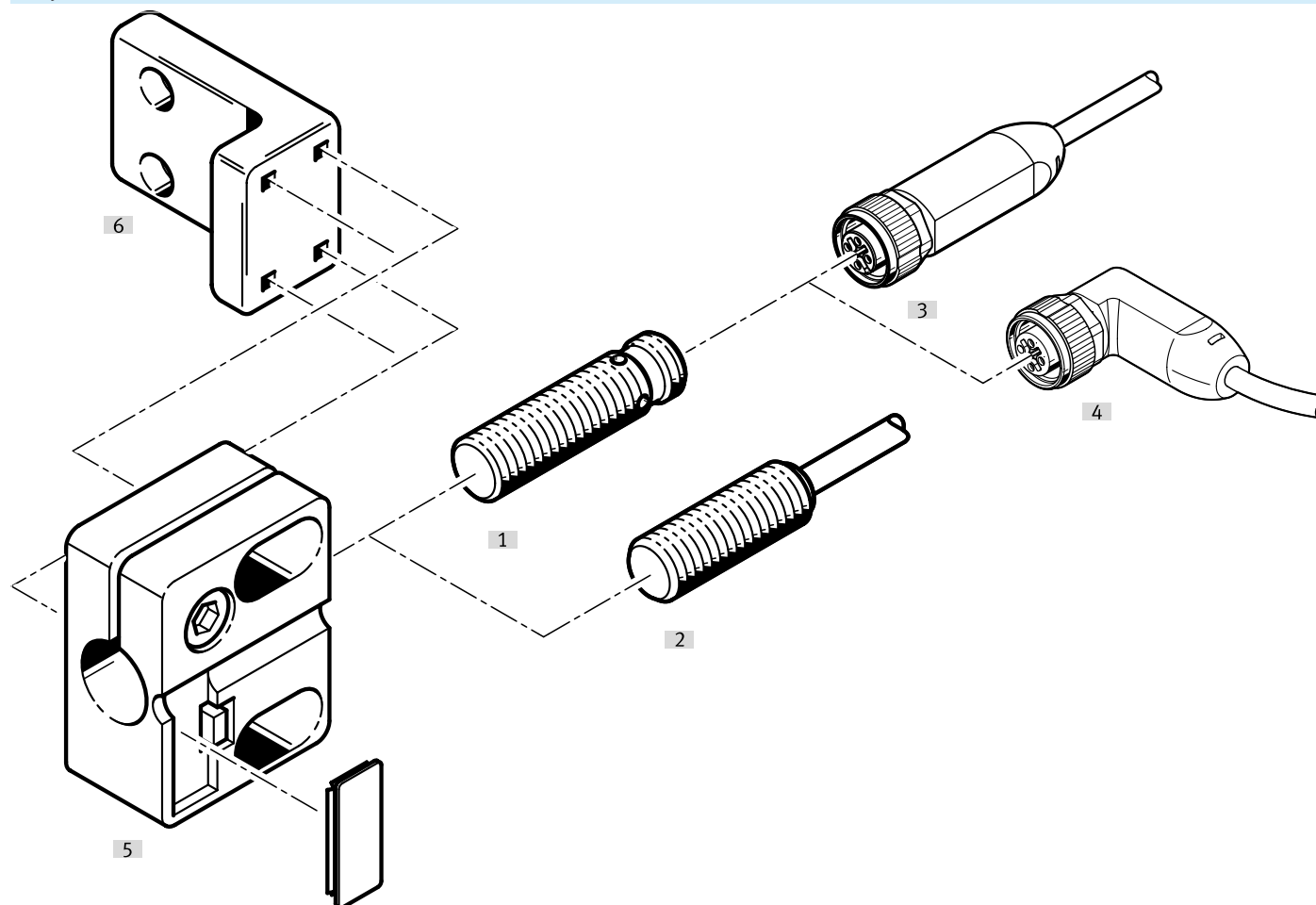
Ordering data – Polyamide housing M12						
	Mounting type	Switching output	Switching element function	Product weight	Part no.	Type
	Flush	PNP	N/O contact	113 g	538323	SIEN-M12B-PS-K-L-PA
	Not flush				538329	SIEN-M12NB-PS-K-L-PA

Ordering data – Polyamide housing M18						
	Mounting type	Switching output	Switching element function	Product weight	Part no.	Type
	Flush	PNP	N/O contact	127 g	538325	SIEN-M18B-PS-K-L-PA
	Not flush				538331	SIEN-M18NB-PS-K-L-PA

Ordering data – Polyamide housing M30						
	Mounting type	Switching output	Switching element function	Product weight	Part no.	Type
	Flush	PNP	N/O contact	158 g	538327	SIEN-M30B-PS-K-L-PA
	Not flush				538333	SIEN-M30NB-PS-K-L-PA

Peripherals

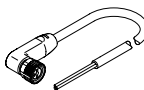
Peripherals overview



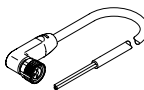
Accessories			→ Link
Type/order code	Description		
[1] Proximity switch SIEN-M5B-PS-S-L	Proximity switch, inductive with plug		sien
[2] Proximity switch SIEN-M5B-PS-K-L	Proximity switch, inductive with cable		sien
[3] Connecting cables NEBA-M12G5-...	Straight socket		40
[4] Connecting cables NEBA-M12W5-...	Angled socket		40
[5] Sensor bracket SIEZ-B-12	For flush mounting		41
[6] Sensor bracket SIEZ-UH	Without stop		41

Accessories


Connecting cables M8 socket, 3-pin, without switching status indication

	Electrical connection 1, cable outlet	Electrical connection 2, connector system	Cable length	Product weight	Part no.	Type
	Straight	M12x1, A-coded to EN 61076-2-101	0.5 m	23 g	8078278	NEBA-M8G3-U-0.5-N-M12G3
			1 m	33 g	8078279	NEBA-M8G3-U-1-N-M12G3
			2.5 m	60 g	8078280	NEBA-M8G3-U-2.5-N-M12G3
			5 m	107 g	8078281	NEBA-M8G3-U-5-N-M12G3
		M8x1, A-coded to EN 61076-2-104	0.5 m	17 g	8078282	NEBA-M8G3-U-0.5-N-M8G3
			1 m	26 g	8078283	NEBA-M8G3-U-1-N-M8G3
			1.5 m	35 g	8078284	NEBA-M8G3-U-1.5-N-M8G3
			2 m	44 g	8078285	NEBA-M8G3-U-2-N-M8G3
			2.5 m	54 g	8078286	NEBA-M8G3-U-2.5-N-M8G3
			5 m	100 g	8078287	NEBA-M8G3-U-5-N-M8G3
			10 m	192 g	8078288	NEBA-M8G3-U-10-N-M8G3
			Open end	1 m	22 g	8078222
	2.5 m	50 g		8078223	NEBA-M8G3-U-2.5-N-LE3	
	5 m	96 g		8078224	NEBA-M8G3-U-5-N-LE3	
	10 m	188 g		8078225	NEBA-M8G3-U-10-N-LE3	
	Angled		20 m	373 g	8078226	NEBA-M8G3-U-20-N-LE3
2.5 m			50 g	8078230	NEBA-M8W3-U-2.5-N-LE3	
5 m			96 g	8078231	NEBA-M8W3-U-5-N-LE3	
10 m			189 g	8078232	NEBA-M8W3-U-10-N-LE3	

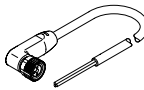
Connecting cables, socket M8, 3-pin, snap-locking

	Electrical connection 1, cable outlet	Electrical connection 2, connector system	Cable length	Product weight	Part no.	Type
	Straight	Open end	2.5 m	49 g	8078264	NEBA-M8CG3-U-2.5-N-LE3
			5 m	95 g	8078265	NEBA-M8CG3-U-5-N-LE3
	Angled		2.5 m	49 g	8078266	NEBA-M8CW3-U-2.5-N-LE3
			5 m	95 g	8078267	NEBA-M8CW3-U-5-N-LE3

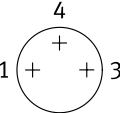
Connecting cables M12 socket, 5-pin, without switching status indication

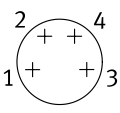
	Electrical connection 1, connection type	Electrical connection 2, connector system	Electrical connection 2, connector system	Product weight	Part no.	Type
	Socket	M12x1, A-coded to EN 61076-2-101	Screw terminal	24 g	8162290	NECB-M12G4-C2
				25 g	8162292	NECB-M12W4-C2

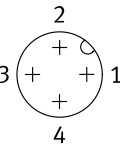
Connecting cables M12 socket, 5-pin, without switching status indication

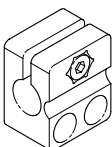
	Electrical connection 1, cable outlet	Electrical connection 2, connector system	Cable length	Product weight	Part no.	Type
	Straight	M12x1, A-coded to EN 61076-2-101	0.5 m	34 g	8078274	NEBA-M12G5-U-0.5-N-M12G5
			1 m	47 g	8078275	NEBA-M12G5-U-1-N-M12G5
			2.5 m	87 g	8078276	NEBA-M12G5-U-2.5-N-M12G5
			5 m	153 g	8078277	NEBA-M12G5-U-5-N-M12G5
		Open end	2.5 m	55 g	8078236	NEBA-M12G5-U-2.5-N-LE3
			5 m	102 g	8078237	NEBA-M12G5-U-5-N-LE3
			10 m	194 g	8078238	NEBA-M12G5-U-10-N-LE3
			Angled	2.5 m	56 g	8078245
	5 m	103 g		8078246	NEBA-M12W5-U-5-N-LE3	
	10 m	195 g		8078247	NEBA-M12W5-U-10-N-LE3	

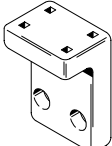
Accessories

M8 plug, 3-pin						
	Cable outlet	Electrical connection 2, connection type	Cable diameter	Product weight	Part no.	Type
	Straight	Cable	2.1 ... 5 mm	5 g	8162298	NECB-S-M8G3-C2

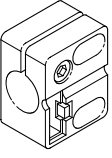
M8 plug, 4-pin						
	Cable outlet	Electrical connection 2, connection type	Cable diameter	Product weight	Part no.	Type
	Straight	2x cable	2 ... 3.8 mm	8 g	8162300	NECB-S-M8G4-C2-D
		Cable	2.1 ... 5 mm	5 g	8162299	NECB-S-M8G4-C2


M12 plug, 4-pin						
	Cable outlet	Electrical connection 2, connection type	Cable diameter	Product weight	Part no.	Type
	Straight	2x cable	2.1 ... 5.6 mm	24 g	8162295	NECB-S-M12G4-C2-D
		Cable	2.1 ... 7 mm	18 g	8162294	NECB-S-M12G4-C2

Sensor bracket with stop						
	Size	Type of mounting	Product weight	Part no.	Type	
	M8	With through-hole	3.5 g	538346	SIEZ-B-8	
	M12		20 g	538348	SIEZ-B-12	
	M18		21 g	538350	SIEZ-B-18	
	M30		36 g	538352	SIEZ-B-30	

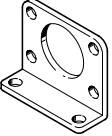
Sensor bracket without stop						
	Type of mounting	Product weight	Part no.	Type		
	With through-hole	25 g	538354	SIEZ-UH		

Accessories

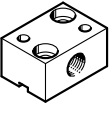
Sensor bracket without stop					
	Size	Type of mounting	Product weight	Part no.	Type
	4 mm	With through-hole	14 g	538343	SIEZ-NB-4
	6.5 mm		9 g	538344	SIEZ-NB-6,5
	M8		3.5 g	538345	SIEZ-NB-8
	M12		20 g	538347	SIEZ-NB-12
	M18		21 g	538349	SIEZ-NB-18
	M30		36 g	538351	SIEZ-NB-30

Foot mounting				
	Size ¹⁾	Product weight	Part no.	Type
	8/10	22 g	5123	HBN-8/10X1

1) Suitable for SIEN-M12.

Flange mounting				
	Size ¹⁾	Product weight	Part no.	Type
	32	103 g	195855	FBN-32

1) Suitable for SIEN-M30.

Stop			
	Size	Part no.	Type
	M8	11542	SDA-8X1-B
	M12	11541	SDA-12X1-B