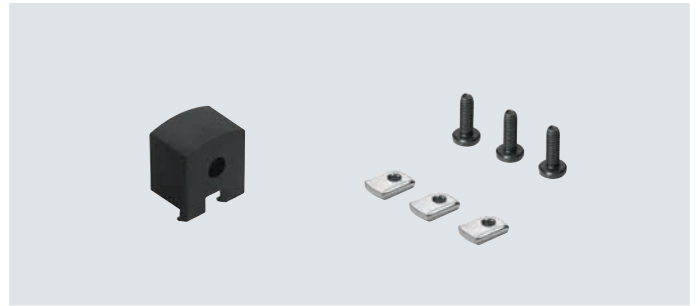
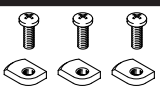
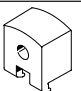
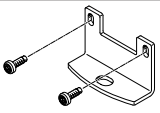
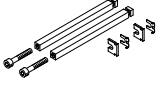


## Data sheet

## Mounting CPX

Mounting components enable valve terminals to be attached to walls and machine parts

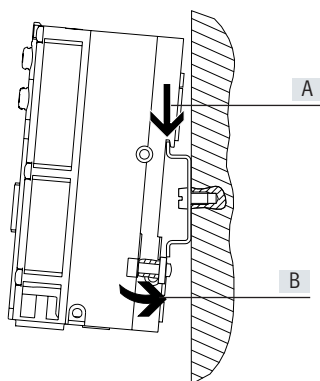


Ordering data							
View	Weight [g]	Material	Note on materials	Function	Dimensions [mm]	Part no.	Type
	12	Cold rolled steel	–	Clamping elements for H-rail mounting. Are screwed onto the component and clamp it onto an H-rail. Includes M4x12 screw (combi cross-slot screws).	8 x 11.8 (LxW) Material thickness: 2.5	<b>526032</b>	<b>CPX-CPA-BG-NRH</b>
	24	PA	RoHS-compliant	Mounting bracket, can be used as additional mounting component for larger valve terminals	15x10.8x17.5 (LxWxH)	<b>529040</b>	<b>CPX-BG-RW-10x</b>
	22	Steel	RoHS-compliant	Attachment for wall mounting, version for metal interlinking plates	2 mounting brackets, 4 screws	<b>550217</b>	<b>CPX-M-BG-RW-2X</b>
	35	Galvanised steel	RoHS-compliant		1 mounting bracket, 2 screws	<b>2721419</b>	<b>CPX-M-BG-VT-2X</b>
	23.9	Steel	–	Tie rod, enables individual CPX components to be assembled to form a unit. Available in different lengths for a different number of modules, standard thread M4.	60 (L) Expansion for 1 module	<b>525418</b>	<b>CPX-ZA-1-E</b>
	41				72.1 (L) 1 module	<b>195718</b>	<b>CPX-ZA-1</b>
	71				122.2 (L) 2 modules	<b>195720</b>	<b>CPX-ZA-2</b>
	97				172.3 (L) 3 modules	<b>195722</b>	<b>CPX-ZA-3</b>
	127				222.4 (L) 4 modules	<b>195724</b>	<b>CPX-ZA-4</b>
	156				272.5 (L) 5 modules	<b>195726</b>	<b>CPX-ZA-5</b>
	173				322.6 (L) 6 modules	<b>195728</b>	<b>CPX-ZA-6</b>
	199				372.7 (L) 7 modules	<b>195730</b>	<b>CPX-ZA-7</b>
	247				422.8 (L) 8 modules	<b>195732</b>	<b>CPX-ZA-8</b>
	274				472.9 (L) 9 modules	<b>195734</b>	<b>CPX-ZA-9</b>
301	523 (L) 10 modules	<b>195736</b>	<b>CPX-ZA-10</b>				

## Data sheet

### Examples illustrating H-rail mounting

Using clamping elements



The H-rail mounting is part of the rear profile of the CPX interlinking blocks. The CPX terminal can be attached to the H-rail using the H-rail mounting kit. The CPX terminal is first hooked onto the H-rail (see arrow [A]),

then swivelled onto the H-rail and secured in place with the clamping element (see arrow [B]). The optional earthing plate enables a connection to be established to the machine potential/earth in one easy step.

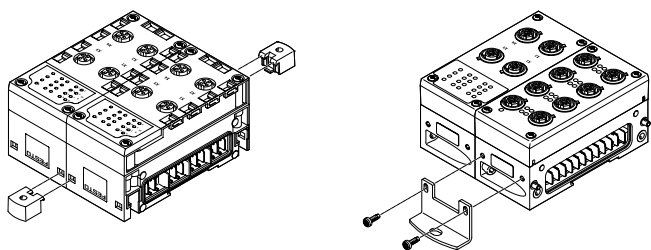
The following mounting kit is needed for H-rail mounting:

- CPX-CPA-BG-NRH

This facilitates mounting of the CPX terminal on H-rails to EN 60715. An additional mounting kit may be required for combination with valve terminals.

### Examples illustrating wall mounting

Using a mounting bracket

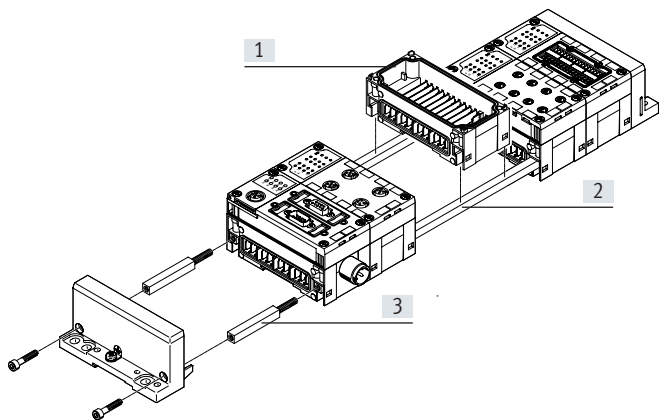


Additional mountings and mounting brackets for the CPX-P terminal are available for longer valve terminals; in each case these can be attached between two modules or screwed onto the interlinking blocks.

The type of mounting varies depending on the design of the CPX terminal with polymer or metal interlinking.

### Examples illustrating general types of mounting

Using a tie rod



The mechanical connection between the CPX modules is created using special tie rods [2]. The entire unit can be assembled using two screws in the end plates.

The tie rod ensures that the unit has a high mechanical load-bearing capacity and is therefore the mechanical “backbone” of the CPX terminal.

The open design allows interlinking blocks [1] to be replaced when already mounted.

With the tie rod extension kit [3] an extra module can be added to the CPX terminal.

# Festo - Your Partner in Automation



**1 Festo Inc.**  
5300 Explorer Drive  
Mississauga, ON L4W 5G4  
Canada

**Festo Customer Interaction Center**  
Tel: 1 877 463 3786  
Fax: 1 877 393 3786  
Email: [customer.service.ca@festo.com](mailto:customer.service.ca@festo.com)



**2 Festo Pneumatic**  
Av. Ceylán 3,  
Col. Tequesquináhuac  
54020 Tlalneantla,  
Estado de México

**Multinational Contact Center**  
01 800 337 8669  
[ventas.mexico@festo.com](mailto:ventas.mexico@festo.com)



**3 Festo Corporation**  
1377 Motor Parkway  
Suite 310  
Islandia, NY 11749

**Festo Customer Interaction Center**  
1 800 993 3786  
1 800 963 3786  
[customer.service.us@festo.com](mailto:customer.service.us@festo.com)



**4 Regional Service Center**  
7777 Columbia Road  
Mason, OH 45040

Connect with us



[www.festo.com/socialmedia](http://www.festo.com/socialmedia)



[www.festo.com](http://www.festo.com)

Subject to change