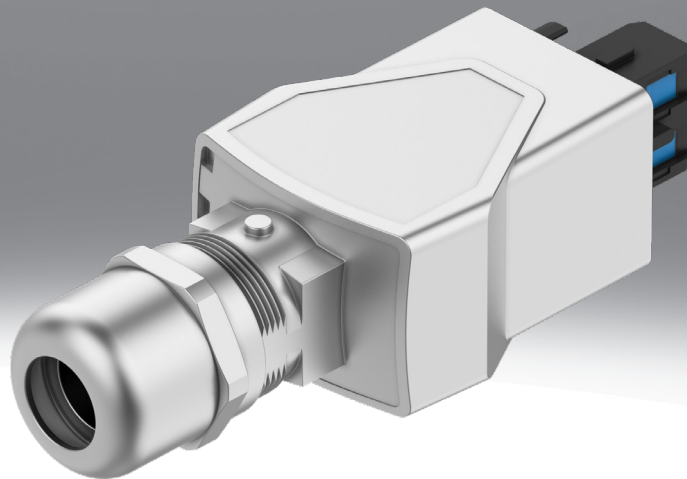


Plug NOCC

**FESTO**



## Characteristics

### Connection technology 1

Pin assignment, optical connection 1:

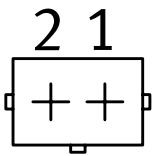
- Pin 1: Signal Tx; function transmit data
- Pin 2: Signal Rx; Function receive data

## Datasheet

### General technical data

Protocol	Ethernet; PROFINET FOC
Conforms to standard	IEC 61754-24
Frequency of connection	100
Additional functions	Fulfils requirements according to AIDA
Cable outlet	Straight
Product weight	84 g
Tightening torque	0.42 Nm
Wire diameter	0.98 ... 1 mm
Wavelength	650 nm
Cable diameter	5.5 ... 10 mm

### Technical data – Optical connection 1



Optical connection 1, connection type	Plug
Optical connection 1, design	Rectangular
Optical connection 1, connection technology	SC-RJ to IEC 61754-24
Optical connection 1, number of pins/cores	2
Optical connection 1, occupied pins/wires	2
Optical connection 1, type of mounting	Push-pull with interlock against unintentional pulling
Optical connection 1, ferrule diameter	2.5 mm

### Technical data – Optical connection 2

Optical connection 2, connection technology	Lock nut
---	----------

### Materials

Material housing	Die-cast zinc, nickel-plated
Housing colour	Silver
Material seals	NBR; TPE
Ferrule material	Copper alloy
Note on materials	RoHS-compliant
LABS (PWIS) conformity	VDMA24364-A1-L
Type of wire	Polymer fibre

### Operating and environmental conditions

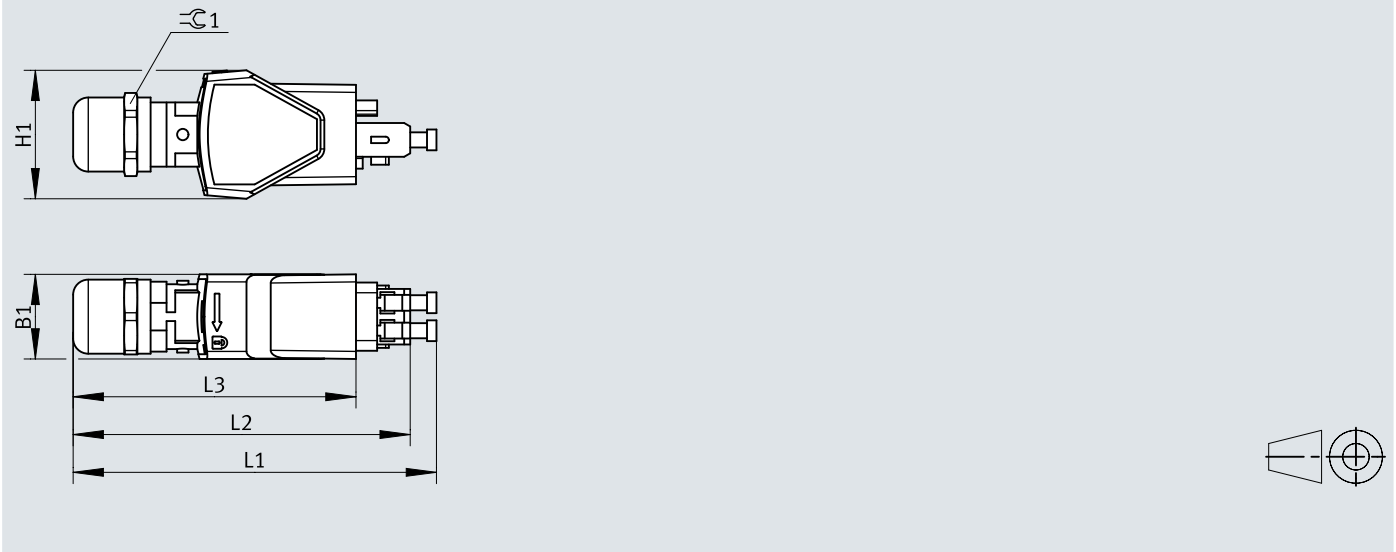
Ambient temperature	-25 ... 70°C
Storage temperature	-40 ... 70°C
Corrosion resistance class CRC <sup>1)</sup>	1 - Low corrosion stress
Degree of protection	IP65; IP67
Note on degree of protection	In assembled state
Fire test	UL94 V-0

1) More information [www.festo.com/x/topic/kbk](http://www.festo.com/x/topic/kbk)

## Dimensions


### Dimensions – Plug

Download CAD data [www.festo.com](http://www.festo.com)



	B1	H1	L1	L2	L3	$\varnothing 1$
	±0.25	±0.25		±5		
NOCC-M-S-SCRJG2PP-C5-PN	22,4	34	96,2	89	74,9	20

## Ordering data

Plug	Protocol	Optical connection 1, connection technology	Part no.	Type
	Ethernet, PROFINET FOC	SC-RJ to IEC 61754-24	<b>5195381</b>	<b>NOCC-M-S-SCRJG2PP-C5-PN</b>