

Push-in fittings CRQS, stainless steel, NPT

**FESTO**



## Technical data

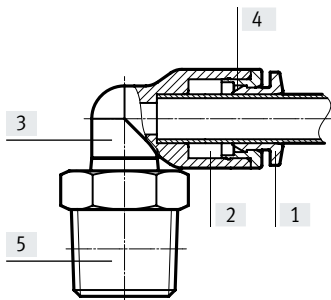
General technical data		
Size	Standard	
Design	Push-pull principle	
Mounting position	Any	
Max. tightening torque	[ft-lbf]	8.851 with male thread NPTF1/8-27
		11.801 with male thread NPTF1/4-18
		13.276 with male thread NPTF3/8-18
		14.751 with male thread NPTF1/2-14
Usable tubing	PFAN	
Operating and environmental conditions		
Operating pressure for entire temperature range	[MPa]	-0.095 ... 1.4
	[bar]	-0.95 ... 14
	[psi]	-13.775 ... 203
Operating medium	Compressed air to ISO 8573-1:2010 [7:-:-]	
Ambient temperature	[°C]	-20 ... 150
	[°F]	-4 ... 302
Corrosion resistance class CRC <sup>1)</sup>	4 - Particularly high corrosion stress	
Food-safe <sup>2)</sup>	See supplementary material information	

1) More information [www.festo.com/x/topic/crc](http://www.festo.com/x/topic/crc)

2) More information: [www.festo.com/catalogue/crqs](http://www.festo.com/catalogue/crqs) → Support/Downloads.


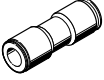
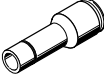
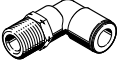

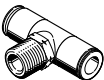

## Materials

### Sectional view



Push-in fitting CRQS, NPT		
[1]	Releasing ring	High-alloy stainless steel
[2]	Tubing seal	FPM
[3]	Housing	High-alloy stainless steel
[4]	Tube clamping segment	High-alloy stainless steel
[5]	Threaded coupling	High-alloy stainless steel
Note on materials		RoHS-compliant
LABS (PWIS) conformity		VDMA24364 zone III

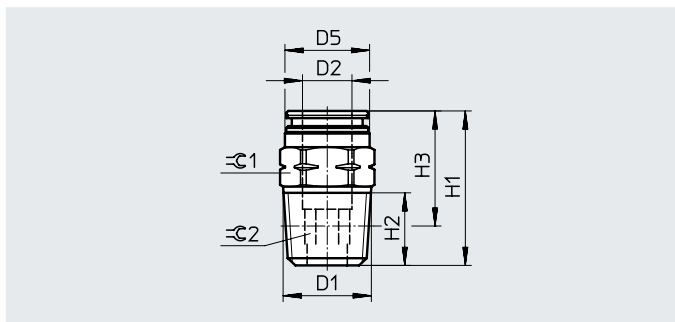
Product range overview

Design	Version	Type	Connection D1			Connection D2		→ Page
			NPT thread	Tubing O.D.	Push-in sleeve ∅	Tubing O.D.		
Straight shape	<b>Push-in fitting – Male thread with internal/external hex</b>							
		CRQS	1/8	-	-	5/32, 1/4	4	
			1/4			1/4, 5/16, 3/8		
			3/8			3/8, 1/2		
			1/2			1/2		
	<b>Push-in connector</b>							
		CRQS-...T	-	-	-	5/32	4	
			1/4					
			5/16					
			3/8					
1/2								
<b>Push-in connector with push-in sleeve</b>								
	CRQS-...H	-	-	-	1/4	5/32	5	
					5/16	1/4		
					3/8	1/4, 5/16		
L-shape	<b>Push-in L-fitting, rotatable – Male thread with external hex</b>							
		CRQSL	Á	-	-	5/32, 1/4	6	
			1/4			1/4, 5/16, 3/8		
			3/8			3/8, 1/2		
			1/2			1/2		
	<b>Push-in L-connector</b>							
		CRQSL-...T	-	-	-	5/32	6	
						1/4		
						5/16		
						3/8		
1/2								
T-shape	<b>Push-in T-fitting, rotatable – Male thread with external hex</b>							
		CRQST	1/8	-	-	5/32, 1/4	7	
			1/4			1/4, 5/16, 3/8		
			3/8			3/8		
	<b>Push-in T-connector</b>							
		CRQST-...T	-	-	-	5/32	7	
						1/4		
						5/16		
						3/8		
						1/2		

## Datasheet

### Push-in fitting CRQS

Male thread with external hex

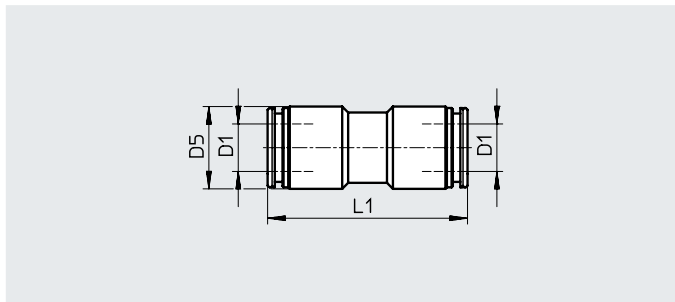


#### Dimensions and ordering data

Pneumatic connection		Nominal size [inch]	Dimensions [inch]						Weight/ piece [oz]	Part no.	Type	PU <sup>1)</sup>
Male thread	For tubing O.D.		D5 ∅	L1	L2	L3	≈C 1	≈C 2				
D1	D2 [inch]	[inch]										
NPTF1/8-27	5/32	0.118	0.374	0.768	0.335	0.606	1 5/32	1/8	0.342	565318	CRQS-1/8-5/32-U	1
	1/4	0.157	0.472	0.866	0.335	0.705	1/2	5/32	0.388	565319	CRQS-1/8-1/4-U	1
NPTF1/4-18	1/4	0.157	0.472	0.965	0.512	0.736	3 5/64	5/32	0.628	565320	CRQS-1/4-1/4-U	1
	5/16	0.256	0.551	1.004	0.512	0.776	3 5/64	1/4	0.575	565321	CRQS-1/4-5/16-U	1
	3/8	0.256	0.630	1.260	0.512	1.031	2 1/32	1/4	0.896	565322	CRQS-1/4-3/8-U	1
NPTF3/8-18	3/8	0.315	0.630	1.004	0.512	0.764	4 5/64	5/16	0.917	565323	CRQS-3/8-3/8-U	1
	1/2	0.413	0.787	1.161	0.512	0.921	1 3/16	1 3/32	1.118	565324	CRQS-3/8-1/2-U	1
NPTF1/2-14	1/2	0.413	0.768	1.201	0.669	0.882	5 5/64	1 3/32	1.633	565325	CRQS-1/2-1/2-U	1

1) Packaging unit

### Push-in connector CRQS-...T



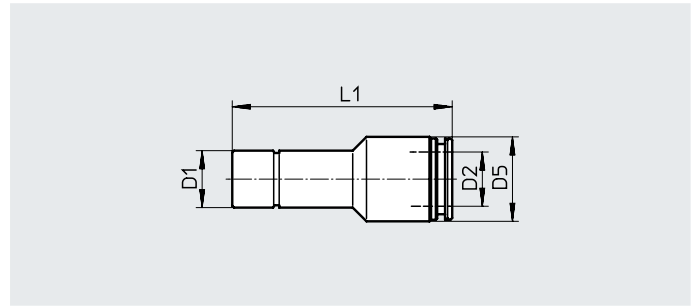
#### Dimensions and ordering data

Pneumatic connection		Nominal size [inch]	Dimensions [inch]		Weight/ piece [oz]	Part no.	Type	PU <sup>1)</sup>
For tubing O.D.	D1 [inch]		D5 ∅	L1				
5/32		0.118	0.374	1.102	0.307	565340	CRQS-5/32T-U	1
1/4		0.217	0.472	1.319	0.515	565341	CRQS-1/4T-U	1
5/16		0.256	0.551	1.339	0.695	565342	CRQS-5/16T-U	1
3/8		0.335	0.630	1.516	0.945	565343	CRQS-3/8T-U	1
1/2		0.433	0.787	1.614	1.552	565344	CRQS-1/2T-U	1

1) Packaging unit

## Datasheet

### Push-in connector CRQS-...H With push-in sleeve



#### Dimensions and ordering data

Pneumatic connection		Nominal size	Dimensions [inch]		Weight/ piece	Part no.	Type	PU <sup>1)</sup>
Push-in sleeve ∅ D1 [inch]	For tubing O.D. D2 [inch]		D5 ∅	L1				
1/4	5/32	0.118	0.374	1.240	–	565355	CRQS-1/4H-5/32-U	1
5/16	1/4	0.197	0.472	1.358	0.406	565356	CRQS-5/16H-1/4-U	1
3/8	1/4	0.217	0.472	1.358	0.483	565357	CRQS-3/8H-1/4-U	1
	5/16	0.256	0.551	1.437	0.547	565358	CRQS-3/8H-5/16-U	1

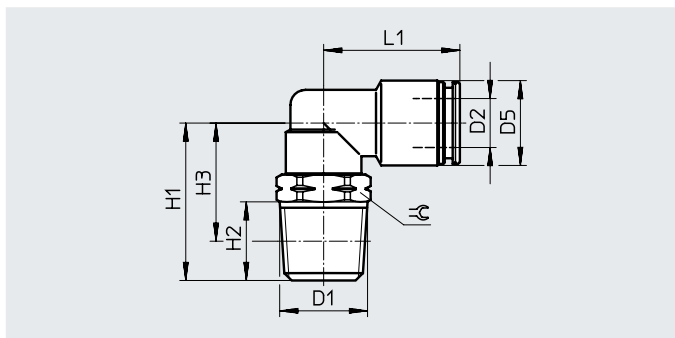
1) Packaging unit

## Datasheet

### Push-in L-fitting CRQSL

Rotatable

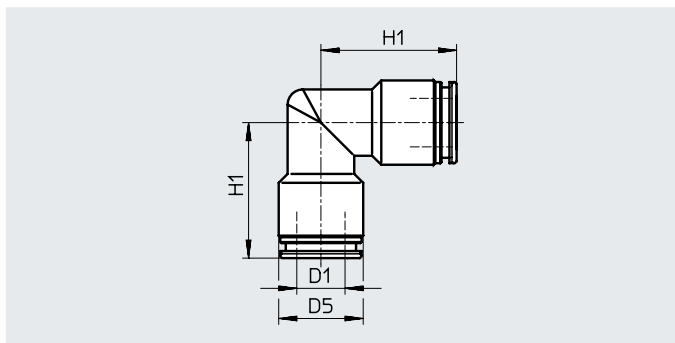
Male thread with external hex



Dimensions and ordering data												
Pneumatic connection		Nominal size	Dimensions [inch]						Weight/ piece	Part no.	Type	PU <sup>1)</sup>
Male thread	For tubing O.D.		D5	H1	H2	H3	L1	⌀				
D1	D2 [inch]	[inch]	∅						[oz]			
NPTF1/8-27	5/32	0.118	0.374	0.728	0.335	0.567	0.689	1 5/32	0.441	565326	CRQSL-1/8-5/32-U	1
	1/4	0.217	0.472	0.827	0.335	0.665	0.846	1/2	0.705	565327	CRQSL-1/8-1/4-U	1
NPTF1/4-18	1/4	0.217	0.472	1.024	0.512	0.795	0.846	3 5/64	0.97	565328	CRQSL-1/4-1/4-U	1
	5/16	0.236	0.551	1.024	0.512	0.795	0.886	3 5/64	0.967	565329	CRQSL-1/4-5/16-U	1
	3/8	0.335	0.630	1.142	0.512	0.913	1.024	2 1/32	1.376	565330	CRQSL-1/4-3/8-U	1
NPTF3/8-18	3/8	0.335	0.630	1.142	0.512	0.902	1.024	4 5/64	1.517	565331	CRQSL-3/8-3/8-U	1
	1/2	0.413	0.787	1.280	0.512	1.039	1.122	1 3/16	2.37	565332	CRQSL-3/8-1/2-U	1
NPTF1/2-14	1/2	0.413	0.787	1.457	0.669	1.138	1.122	5 5/64	2.723	565333	CRQSL-1/2-1/2-U	1

1) Packaging unit

### Push-in L-connector CRQSL...T



Dimensions and ordering data									
Pneumatic connection		Nominal size	Dimensions [inch]			Weight/ piece	Part no.	Type	PU <sup>1)</sup>
For tubing O.D.	D1 [inch]		D5	H1					
		[inch]	∅			[oz]			
5/32		0.138	0.374		0.689	0.444	565345	CRQSL-5/32T-U	1
1/4		0.217	0.472		0.827	0.515	565346	CRQSL-1/4T-U	1
5/16		0.256	0.551		0.886	0.868	565347	CRQSL-5/16T-U	1
3/8		0.335	0.630		1.004	1.517	565348	CRQSL-3/8T-U	1
1/2		0.433	0.787		1.083	1.781	565349	CRQSL-1/2T-U	1

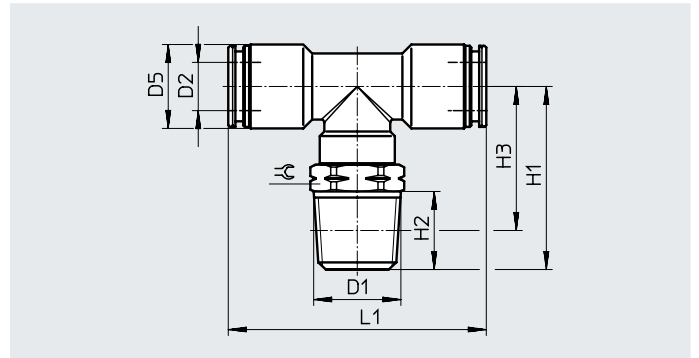
1) Packaging unit

## Datasheet

### Push-in T-fitting CRQST

Rotatable

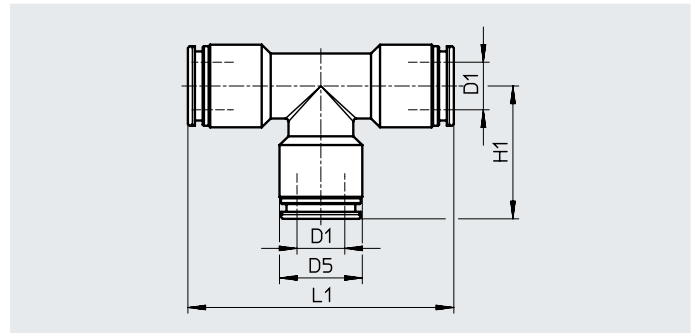
Male thread with external hex



Pneumatic connection		Nominal size	Dimensions [inch]						Weight/ piece	Part no.	Type	PU <sup>1)</sup>
Male thread	For tubing O.D.		D5 ø	H1	H2	H3	L1	⌀				
D1	D2 [inch]	[inch]						[oz]				
NPTF1/8-27	5/32	0.118	0.374	0.886	0.335	0.724	1.378	1 5/32	0.656	565334	CRQST-1/8-5/32-U	1
	1/4	0.217	0.472	1.004	0.335	0.843	1.654	1/2	0.97	565335	CRQST-1/8-1/4-U	1
NPTF1/4-18	1/4	0.217	0.472	1.201	0.512	0.972	1.654	3 5/64	1.185	565336	CRQST-1/4-1/4-U	1
	5/16	0.236	0.551	1.201	0.512	0.972	1.693	3 5/64	1.305	565337	CRQST-1/4-5/16-U	1
	3/8	0.335	0.630	1.260	0.512	1.031	2.008	2 1/32	2.258	565338	CRQST-1/4-3/8-U	1
NPTF3/8-18	3/8	0.335	0.630	1.260	0.512	1.020	2.008	4 5/64	2.346	565339	CRQST-3/8-3/8-U	1

1) Packaging unit

### Push-in T-connector CRQST-...T



Pneumatic connection		Nominal size	Dimensions [inch]			Weight/ piece	Part no.	Type	PU <sup>1)</sup>
For tubing O.D.	D1 [inch]		D5 ø	H1	L1				
	[inch]	[inch]				[oz]			
5/32		0.138	0.374	0.689	1.378	0.564	565350	CRQST-5/32T-U	1
1/4		0.217	0.472	0.827	1.654	0.988	565351	CRQST-1/4T-U	1
5/16		0.256	0.551	0.846	1.693	1.157	565352	CRQST-5/16T-U	1
3/8		0.335	0.630	0.984	1.969	2.046	565353	CRQST-3/8T-U	1
1/2		0.433	0.787	1.083	2.165	2.469	565354	CRQST-1/2T-U	1

1) Packaging unit