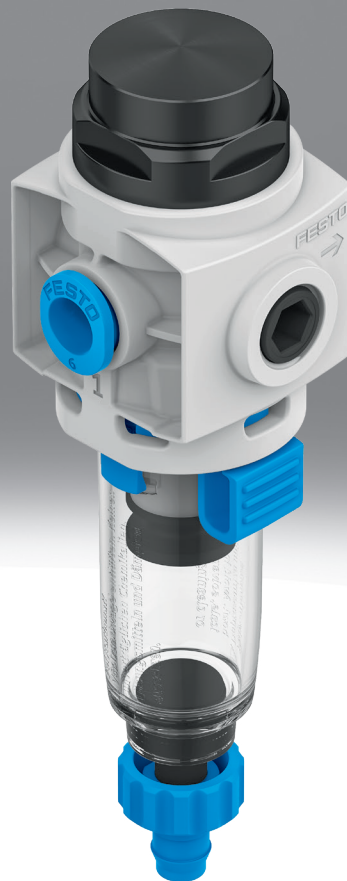


## Filter MS2-LF-B

**FESTO**



## Characteristics

### At a glance

- Very compact series for use close to the process directly in the machine

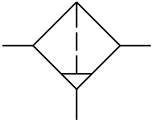
### Diagrams

Further information → [ms-lf-b](#)



The diagrams shown in this document are also available online. These can be used to display precise values.

### Function



The condensed water present in the supply network is separated by the centrifugal separator. The compressed air is then filtered using a sintered element.

### Grade of filtration

The product is available with a grade of filtration of 5 µm.

### Condensate drain

The condensate is drained using a manual condensate drain valve.

### Special material properties

[F1A] Recommended for production facilities for the manufacture of lithium-ion batteries

Metals with copper, zinc or nickel as the main component are excluded from use. Exceptions are nickel in steels, chemically nickel-plated surfaces, circuit boards, cables, electrical plug connectors and coils

### Version

[B] 2nd generation

Basic component with sturdy and lightweight polymer housing. Fully compatible with the MS series.

## Type code

001	Series	
<b>MS</b>	MS series	
002	Size	
<b>2</b>	Grid dimension 25 mm	
003	Function	
<b>LF</b>	Filter	
004	Pneumatic connection	
<b>M5</b>	Female thread M5	
<b>QS6</b>	Push-in connector 6 mm	

005	Filter design	
<b>C</b>	5 µm	
006	Condensate drain	
<b>M</b>	Manually	
007	Special material properties	
	None	
<b>F1A</b>	Recommended for production facilities for the manufacture of lithium-ion batteries	
008	Version	
<b>B</b>	2nd generation	

## Datasheet

## General technical data

Pneumatic connection, port 1	M5	QS-6
Pneumatic connection, port 2	M5	QS-6
Standard nominal flow rate	225 l/min	250 l/min
Size	2	
Design	Sintered filter with centrifugal separator	
Type of mounting	Either:, Front panel mounting, In-line installation, With accessories	
Mounting position	Vertical +/-5°	
Grade of filtration	5 µm	
Condensate drain	Manually rotating	

## Operating and environmental conditions

Operating pressure	0.1 ... 1 MPa	
Operating pressure	1 ... 10 bar	
Operating pressure	14.5 ... 145 psi	
Operating medium	Compressed air to ISO 8573-1:2010 [7:4:4], Inert gases	
Ambient temperature	-5 ... 50°C	
Media temperature	-5 ... 50°C	
Storage temperature	-5 ... 50°C	
Corrosion resistance class CRC	1 - Low corrosion stress	

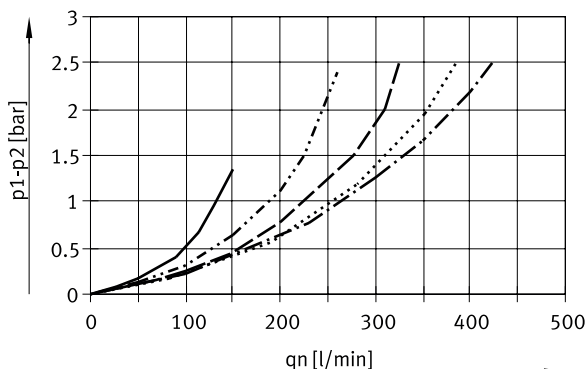
## Materials

Material housing	PA-reinforced
Material membrane	NBR
Material spring	High-alloy steel
Material filter	PE
Note on materials	RoHS-compliant
LABS (PWIS) conformity	VDMA24364-B1/B2-L
Air purity class at output	Compressed air to ISO 8573-1:2010 [6:4:4]
Cleanroom class	Class 7 according to ISO 14644-1

## Additional material specifications – Products for battery production

Suitability for the production of Li-ion batteries	Metals with more than 1% by mass of copper, zinc or nickel are excluded from use. Excluded are nickel in steels, chemically nickel-plated surfaces, printed circuit boards, wires, electrical connectors and coils.
--	---

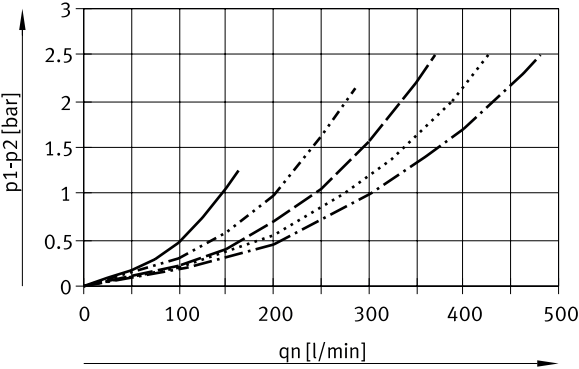
## Normal flow rate as a function of differential pressure p1 - p2 (MS2-LF-M5-...-B)



- p1 = 2bar
- - - p1 = 4bar
- · - p1 = 6bar
- · · p1 = 8bar
- - - p1 = 10bar

# Datasheet

## Normal flow rate as a function of differential pressure p1 - p2 (MS2-LF-QS6-...-B)

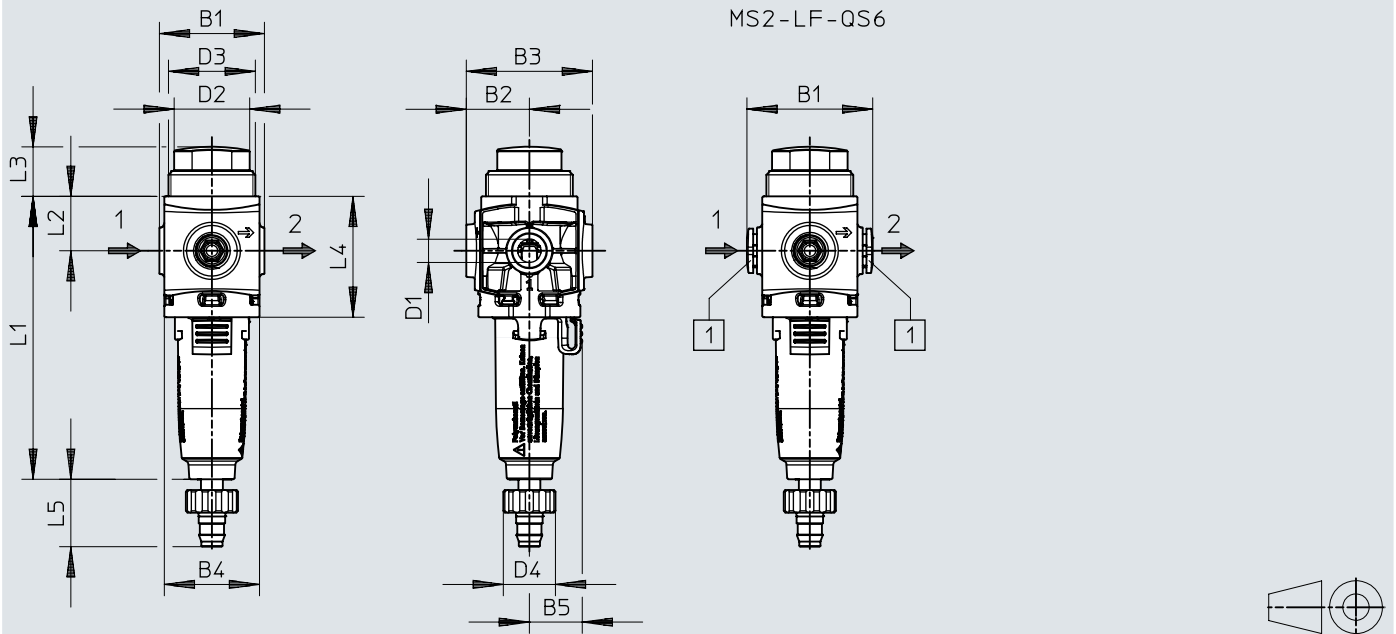


- p1 = 2bar
- - - p1 = 4bar
- · - p1 = 6bar
- · · p1 = 8bar
- - - p1 = 10bar

## Dimensions

### Dimensions – MS2-LF

Download CAD data → [www.festo.com](http://www.festo.com)

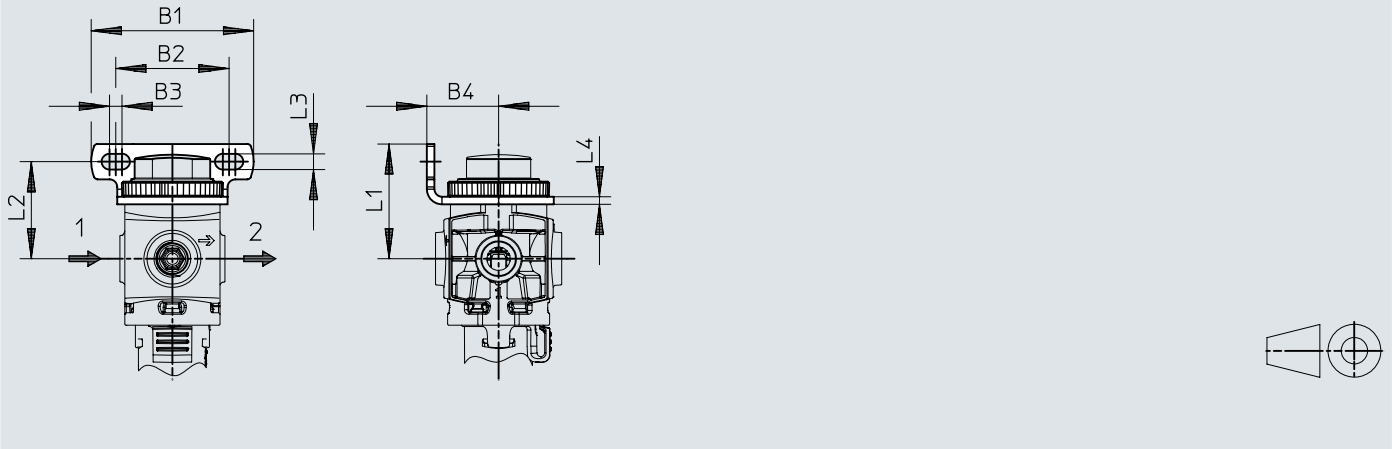


[1] Pneumatic connection QS-6

	B1	B2	B3	B4	B5	D1	D2 ∅	D3 ∅	D4	L1	L2	L3	L4	L5
MS2-LF-M5-C-M-B	28	16,7	33,4	25,2	14	M5	20	M23x1	13,8	74,9	14,4	13,1	32	17,9
MS2-LF-M5-C-M-F1A-B						QS6								
MS2-LF-QS6-C-M-B	33,1													
MS2-LF-QS6-C-M-F1A-B														


## Dimensions


## Dimensions – Mounting bracket MS...-WR-B

Download CAD data → [www.festo.com](http://www.festo.com)

	B1 ±0,2	B2	B3	B4	L1	L2	L3 ±0,1	L4
MS2-LF-...-B	43	30	3,3	19	30,4	25,7	4,2	2

## Ordering data

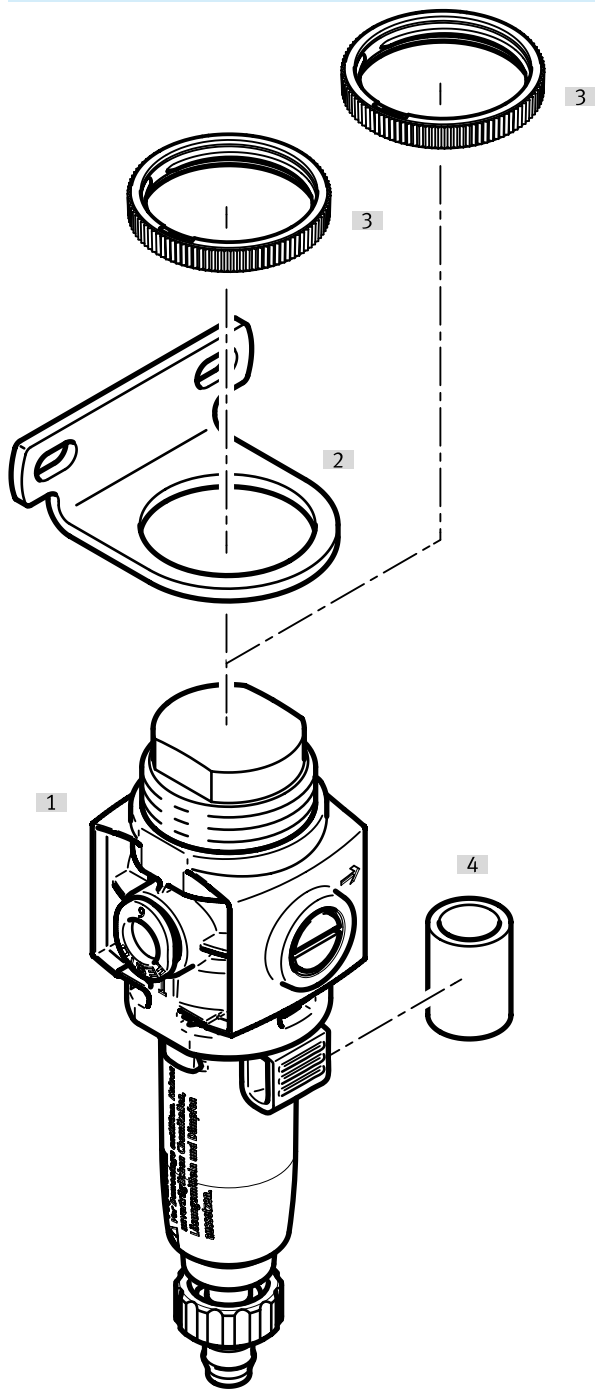
Ordering data					
	Size	Pneumatic connection, port 1	Product weight	Part no.	Type
	2	M5	45.3 g	<b>8183325</b>	<b>MS2-LF-M5-C-M-B</b>
		QS-6	42.1 g	<b>8183324</b>	<b>MS2-LF-QS6-C-M-B</b>

Ordering data – Products for battery production					
	Size	Pneumatic connection, port 1	Product weight	Part no.	Type
	2	M5	45.3 g	<b>8181093</b>	<b>MS2-LF-M5-C-M-F1A-B</b>
		QS-6	42.1 g	<b>8181092</b>	<b>MS2-LF-QS6-C-M-F1A-B</b>



## Peripherals overview


## Peripherals overview Size 2



Accessories		→ Page/Internet
Type/order code	Description	
[1] Filter MS2-LF...-B		ms-lf-b
[2] Mounting bracket MS2-WR-B	For wall mounting, knurled nut included in scope of delivery	10
[3] Nut MS2-WRS	For front panel mounting	10
[4] Filter cartridge MS2-LFP...		10


## Accessories

### Mounting bracket MS2-WR-B


	Corrosion resistance class CRC <sup>1)</sup>	LABS (PWIS) conformity	Product weight	Part no.	Type
	1	VDMA24364-B2-L	13.8 g	<b>8087978</b>	<b>MS2-WR-B</b>

1) More information [www.festo.com/x/topic/kbk](http://www.festo.com/x/topic/kbk)

### Filter cartridge MS2-LFP..

	Size	LABS (PWIS) conformity	Grade of filtration	Part no.	Type
	Micro	VDMA24364-B1/B2-L	5 µm	<b>526818</b>	<b>MS2/LFP-D-MICRO-5M</b>

### Nut MS2-WRS

	Corrosion resistance class CRC <sup>1)</sup>	LABS (PWIS) conformity	Product weight	Part no.	Type
	1	VDMA24364-B1/B2-L	0.7 g	<b>8098037</b>	<b>MS2-WRS</b>

1) More information [www.festo.com/x/topic/kbk](http://www.festo.com/x/topic/kbk)