

Accessories, D series

FESTO



Mounting attachments

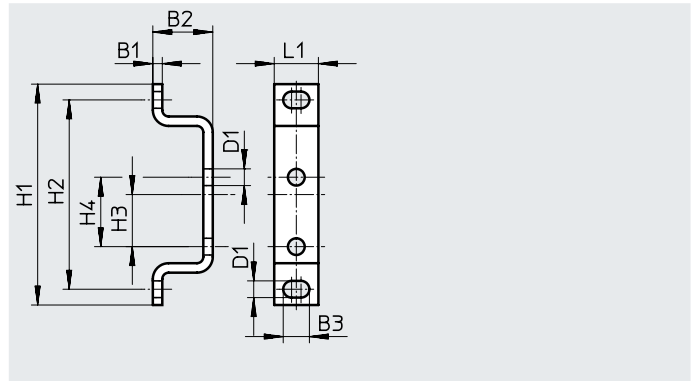
Mounting bracket HFOE-D

Mini/Midi/Maxi size

- For wall mounting

Material:

Galvanised steel



Dimensions and ordering data

Size	B1	B2	B3	D1	H1	H2	H3	H4	L1	CRC ¹⁾	Part no.	Type
Mini	2	19	7.3	4.3	43	35	5.5	11	12	2	159638	HFOE-D-MINI
Midi/Maxi	3	19	8.3	5.3	70	60	16.5	22	14	2	159593	HFOE-D-MIDI/MAXI

1) More information www.festo.com/x/topic/crc

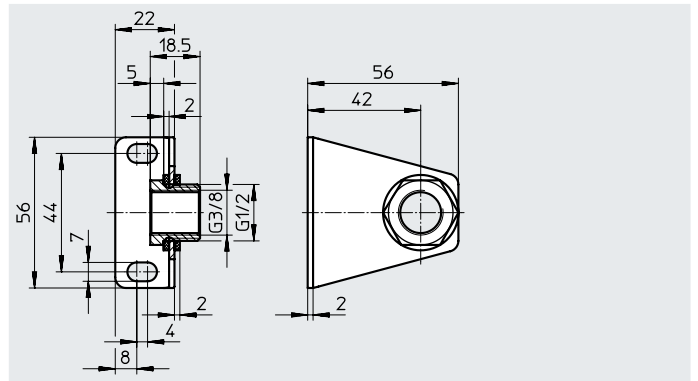
Mounting bracket SET HRBS-DB

- For wall mounting

Material

Hollow bolt, bracket: Galvanised steel

Sealing ring: Polyvinyl chloride



Dimensions and ordering data

Size	Pneumatic connection 1	CRC ¹⁾	Weight [g]	Part no.	Type
Mini	G3/8	2	150	540791	HRBS-DB-MINI

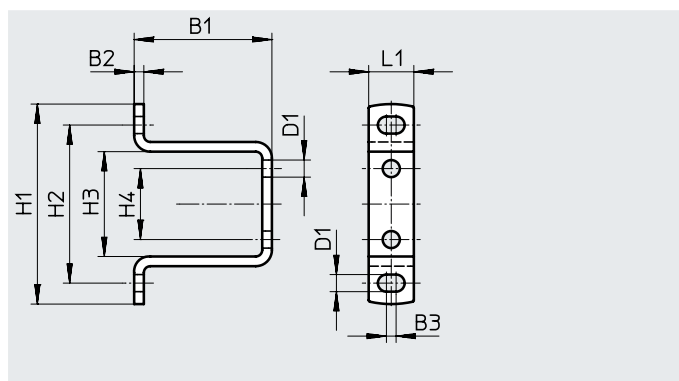
1) More information www.festo.com/x/topic/crc

Mounting attachments

Mounting bracket HRB-D

- For wall mounting
- For pressure regulators LRB/LRBS

Material:
Galvanised steel



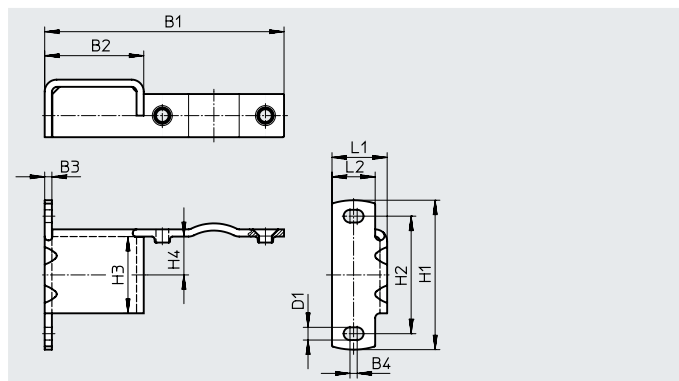
Dimensions and ordering data

Size	B1	B2	B3	D1 ∅	H1	H2	H3	H4	L1	Part no.	Type
Mini	38.8	2.5	3	4.3	47.3	35	20	11	12	525029	HRB-D-MINI
Midi	42.7	3	3	5.3	62	49	32.5	22	14	525030	HRB-D-MIDI

Mounting bracket HRBK-D

- For wall mounting
- For pressure regulators LRB/LRBS

Material:
Galvanised steel



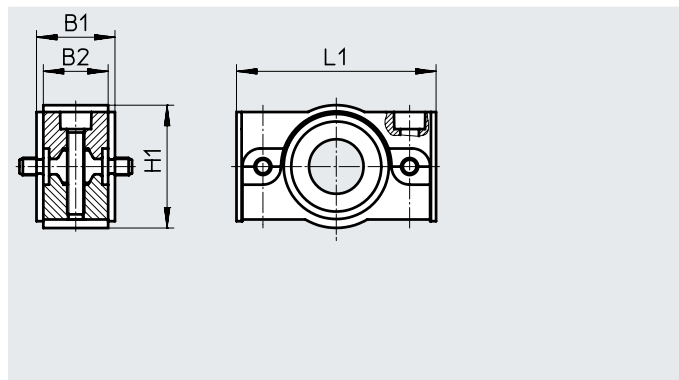
Dimensions and ordering data

Size	B1	B2	B3	B4	D1 ∅	H1	H2	H3	H4	L1	L2	Part no.	Type
Mini	80.5	37.5	2.5	3	4.3	47.3	35	20	10	18.5	14	525031	HRBK-D-MINI
Midi	99.8	41.3	3	3	5.3	62.3	49	32	16	24	18	525032	HRBK-D-MIDI

Connecting kit HRBC-D

- For pressure regulators LRB/LRBS

Material:
Die-cast zinc



Dimensions and ordering data

Size	B1	B2	H1	L1	Weight [g]	Part no.	Type
Mini	17.4	14.8	20	43	65	529022	HRBC-D-MINI
Midi	23	18.6	36	58.5	188	529023	HRBC-D-MIDI

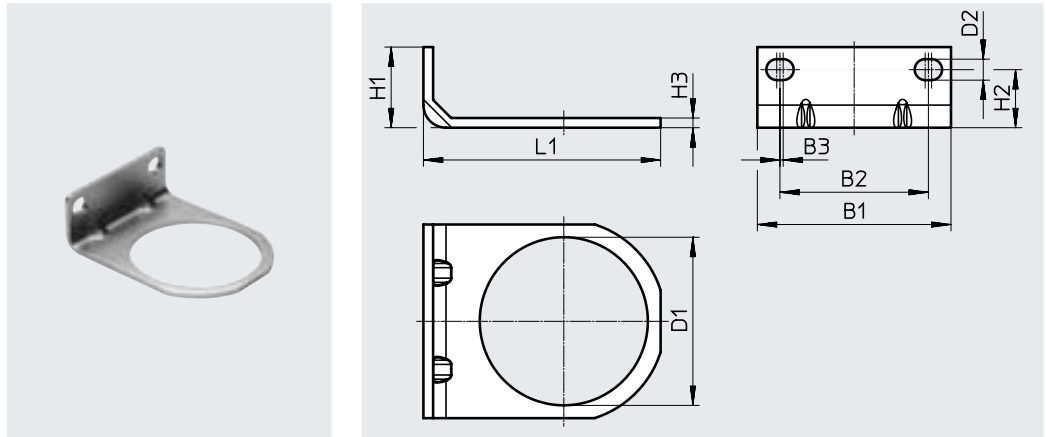
Mounting attachments

Mounting bracket HR-D

- For wall mounting an individual component

Material:
Steel

Note on materials:
RoHS-compliant (HR-D-R3 only)



Dimensions and ordering data

Size	B1	B2	B3	D1 ø	D2	H1	H2	H3	L1	CRC ¹⁾	Weight [g]	Part no.	Type
Mini	42	28	1	36.1	6.5	25	18	3	57.5	2	–	164936	HR-D-MINI
Midi	60	46	1	52.1	6.5	25	18	3	73.5	2	–	162804	HR-D-MIDI
Maxi	64	51	1	36.1	6.5	25	18	3	82	2	–	162805	HR-D-MAXI
	DI	64	51	1	52.1	6.5	25	18	82	2	–	193802	HR-D-DI-MAXI
High corrosion stress													
Midi	60	46	1	52.1	6.5	25	18	3	73.5	3	73	4650310	HR-D-R3

1) More information www.festo.com/x/topic/crc

Mounting attachments

Hex nut HMR-D

- For filter regulators LFR and pressure regulators LR

Material:
Wrought aluminium alloy

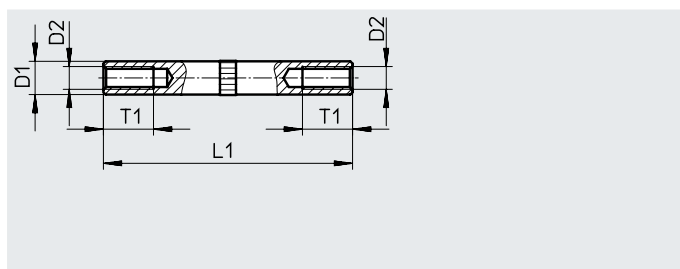


Ordering data		
Size	Part no.	Type
Micro	526816	HMR-D-MICRO
Mini/Maxi	530025	HMR-D-MINI/MAXI
Midi	530026	HMR-D-MIDI

Threaded bolt HSB-D

- For individual devices with connecting plates

Material:
High alloy steel



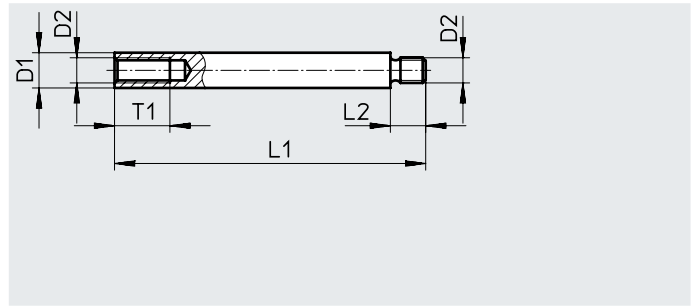
Dimensions and ordering data						
Size	D1 ∅	D2	L1	T1 min.	Part no.	Type
Mini	6.5	M4	39.7	10	531057	HSB-D-MINI
Midi	7.5	M5	54.7	11	531058	HSB-D-MIDI

Mounting attachments

Threaded bolt FRB-D-MINI/MIDI/MAXI

- For service units

Material:
High alloy steel



Dimensions and ordering data

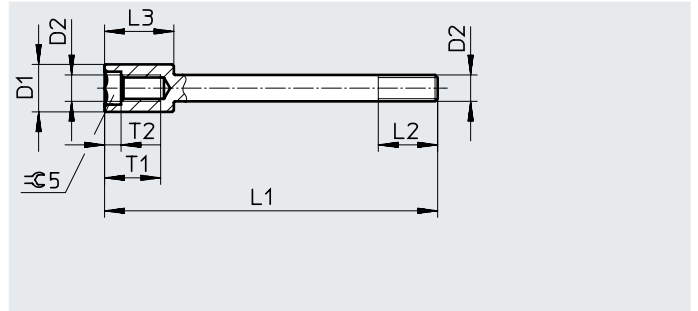
Size	D1 ∅	D2	L1	L2	T1 min.	CRC ¹⁾	Part no.	Type
Mini	6	M4	47.3	7.5	10	2	159642	FRB-D-MINI
Midi	7	M5	61.8	7	11	2	159595	FRB-D-MIDI
Maxi	7	M5	72.8	7	11	2	159643	FRB-D-MAXI

1) More information www.festo.com/x/topic/crc

Threaded bolt FRB-DB

- Replacement for socket head screws of lubricators for service unit FRC-DB for attaching a further service unit component

Material:
Steel



Dimensions and ordering data

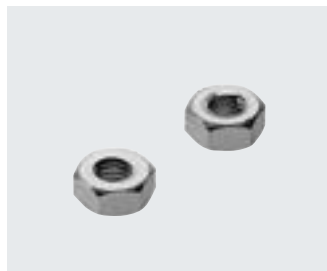
Size	D1 ∅	D2	L1	L2 min.	L3	T1	T2	CRC ¹⁾	Part no.	Type
Mini	7.2	M4	50.5	9	10.5	8.5	2.5	1	542187	FRB-DB-MINI

1) More information www.festo.com/x/topic/crc

Nut assortment M4-DB

- For service units

Material:
Galvanised steel



Ordering data

Size	CRC ¹⁾	Part no.	Type
Mini	1	542790	M4-DB-MINI

1) More information www.festo.com/x/topic/crc

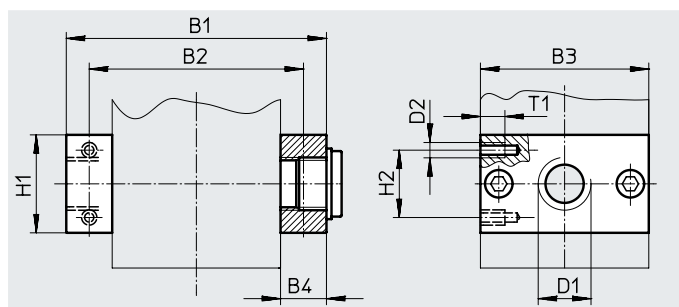
Connecting plates

Connecting plates LRBAS-D

- For pressure regulators LRB/LRBS

Material:

Die-cast zinc



Dimensions and ordering data		B1	B2	B3	B4	D1	D2	H1	H2	T1	Part no.	Type
Mini	G1/4	64	52	40	12	G1/4	M4	20	11	7	525033	LRBAS-1/4-D-MINI
	G3/8	70	52	40	15	G3/8	M4	23	11	7	525034	LRBAS-3/8-D-MINI
Midi	G3/8	85	70	55	15	G3/8	M5	32	22	8	525035	LRBAS-3/8-D-MIDI
	G1/2	85	70	55	15	G1/2	M5	32	22	8	525036	LRBAS-1/2-D-MIDI

Connection set PBL-DB

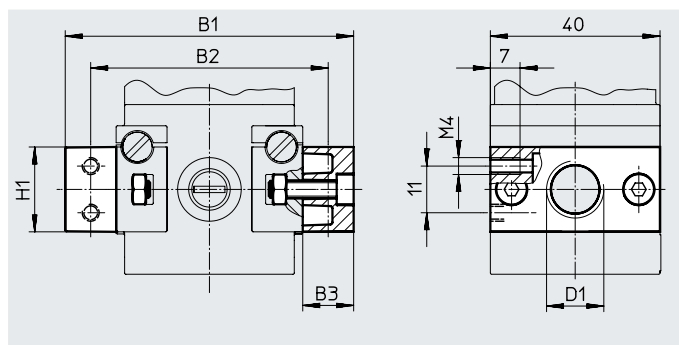
- For wall mounting
- For establishing a pneumatic connection G3/8

Material:

Connecting plate: Die-cast zinc

Nut, screws: Galvanised steel

Seals: Nitrile rubber



Dimensions and ordering data		B1	B2	B3	D1	H1	CRC ¹⁾	Part no.	Type
Mini	68	56	12	G1/8	20	1	542787	PBL-1/8-DB-MINI	
	68	56	12	G1/4	20		542788	PBL-1/4-DB-MINI	
	74	56	15	G3/8	23		542789	PBL-3/8-DB-MINI	

1) More information www.festo.com/x/topic/crc

Safety components

Regulator lock LRVS

Lock to prevent unauthorised adjustment of the set pressure of pressure and filter regulators.

Material:

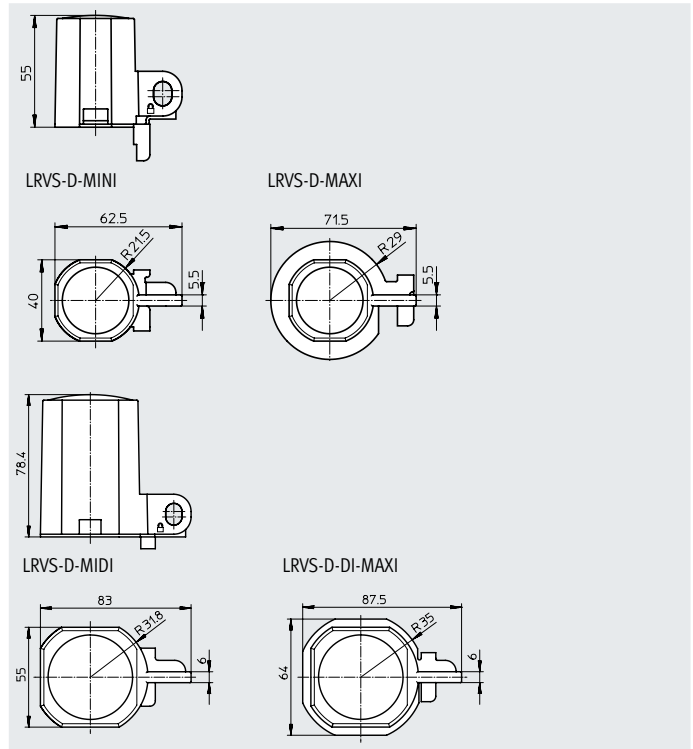
Cap: Polyacetal

Locking plate: Steel

Knurled nut: Aluminium

Ambient temperature:

-20 ... +60 °C



Ordering data

Size	Weight [g]	Part no.	Type
Mini	40	193781	LRVS-D-MINI
Midi	60	193782	LRVS-D-MIDI
Maxi	56	193783	LRVS-D-MAXI
DI	36	193784	LRVS-D-DI-MAXI

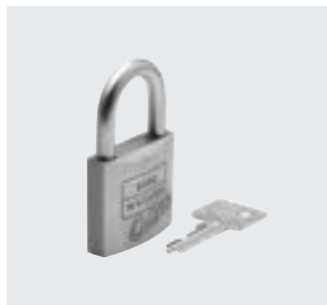
Padlock LRVS-D

Material:

Housing: Brass

Ambient temperature:

-20 ... +60 °C



Ordering data

Size	Weight [g]	Part no.	Type
Mini/Midi/Maxi	120	193786	LRVS-D