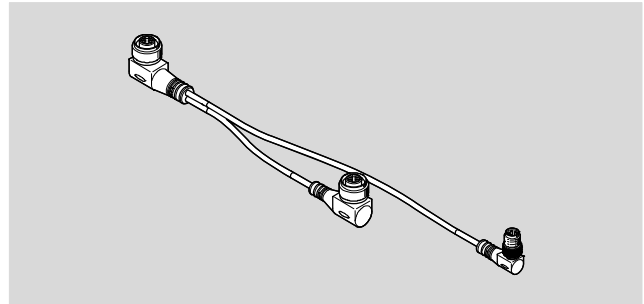


# Distributors NEDV for valves

Technical data

## Connecting cable NEDV-L2R1-V7

- Connecting cable for VPWP valves
- Pre-assembled
- 0.2 m cable length
- For connection to sub-base VAPB-S3



General technical data	
Electrical connection	2x angled sockets, M12, 3-pin One angled plug, M8, 4-pin
Based on standard	EN 61076-2-101, EN 61076-2-104, EN 61984
Cable composition [mm <sup>2</sup> ]	2x0.14
Cable diameter [mm]	2.9
Cable length [m]	0.2
Operating voltage range [DC V]	0 ... 30
Acceptable current load [A]	2
Mounting position	Any
Protection class to EN 60529	IP65

Materials	
Cable sheath	TPE-U (PUR)
Note on materials	RoHS-compliant

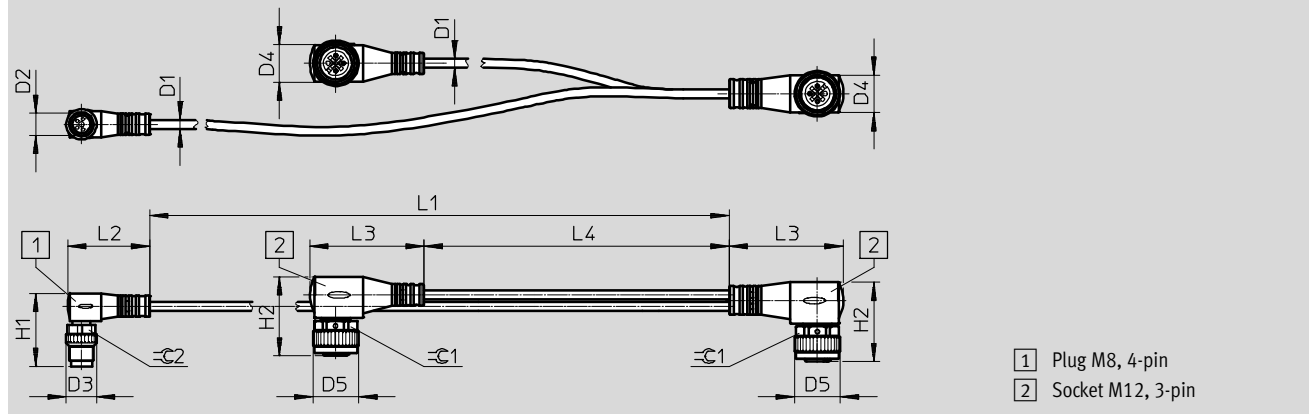
Operating and environmental conditions	
Ambient temperature [°C]	-25 ... +80

Circuitry (socket/plug view)		
Socket	Circuitry	Socket

# Distributors NEDV for valves

Technical data

Dimensions Download CAD data → [www.festo.com](http://www.festo.com)



Type	D1 Ø	D2	D3 Ø	D4	D5 Ø	H1	H2	L1	L2	L3	L4	⌀C1	⌀C2
NEDV-L2R1-V7-M12W3-K-0.1L1-N-M8W4-0.2R1	2.9	M8x1	10	M12x1	15	24	26	200	26.9	37.5	100	13	9

Ordering data				
Electrical connection	Product weight [g]	Length [m]	Part No.	Type
<ul style="list-style-type: none"> <li>• 2x angled sockets, M12, 3-pin</li> <li>• One angled plug, M8, 4-pin</li> </ul>	28	0.2	2384165	NEDV-L2R1-V7-M12W3-K-0.1L1-N-M8W4-0.2R1