

Distribution Blocks MS6N-FRM – Inch Series



Distributor blocks provide additional air outlets to create separate pressure or air quality branches, or to attach pressure sensors.

- Pneumatic connection: 1/4 NPT, 3/8 NPT, 1/2 NPT, 3/4 NPT
- Operating pressure: 0 ... 294 psi
- Flow rate: 113,0 ... 458,9 scfm

Product Range Overview								
Type	Pneumatic connections		Pressure indicator					Reverse flow
	Body thread	Port plate	Cover plate (without pressure gauge)	Integrated MS pressure gauge	Adapter for pressure gauge 1/8 NPT	Adapter for pressure gauge 1/4 NPT	Pressure sensor with display	Flow direction from right to left
MS6N		AG...	VS	AG	A8	A4	AD...	Z
FRM	1/4 NPT, 3/8 NPT, 1/2 NPT	1/4 NPT, 3/8 NPT, 1/2 NPT, 3/4 NPT	■	■	-	■	■	■

Features

- Pneumatic manifold with 4 connections
- Can be used as an intermediate distributor for varying air qualities
- Attachment facility for auxiliary modules
- Outlet top and bottom
- An integrated non-return valve prevents the return flow e.g. of lubricated compressed air
- Optional pressure sensor with display

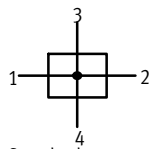
Contents

- Technical Data → 1018
 - Dimensional Drawings → 1020
 - Ordering Data → 1023
 - Accessories → 1026
- www.festo.com/catalog/ms6n-frm

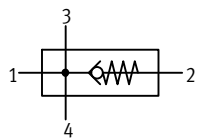
Distribution Blocks MS6N-FRM – Inch Series

Technical Data

ISO Symbol



Standard



With integrated non-return function



General Technical Data			
Pneumatic connection 1, 2	1/4 NPT	3/8 NPT	1/2 NPT
Pneumatic connection 3, 4	1/2 NPT		
Operating pressure [psi]	0 ... 294 (Standard/With non-return function)		
	0 ... 176 (Pressure switch X/Y/M12)		
	0 ... 147 (Pressure sensor with display AD...)		

Standard Nominal Flow Rate q _N ¹⁾ [scfm]			
Pneumatic connection	1/4 NPT	3/8 NPT	1/2 NPT
Standard			
In main flow direction 1 → 2	116.5	294.8	458.9
Outlet at top	231.9	275.3	236.5
Outlet at bottom	240.0	308.9	282.4
With non-return function			
In main flow direction 1 → 2	113.0	194.2	211.8
Outlet at top	95.3	102.4	109.4
Outlet at bottom	98.8	113.0	116.5

1) Measured at p₁ = 88 psi and p₂ = 74 psi, Δp = 15 psi

Operating and Environmental Conditions			
Variant	Standard/With non-return function	Pressure switch X/Y/M12	Pressure sensor with display AD...
Operating medium	Compressed air	Compressed air	Filtered compressed air, lubricated or unlubricated, filtration grade 40 μm
Ambient temperature [°F]	14 ... 140	14 ... 140	32 ... 122
Temperature of medium [°F]	14 ... 140	14 ... 140	32 ... 122
Storage temperature [°F]	14 ... 140	14 ... 140	14 ... 140
Assembly position	Any ²⁾		
Corrosion resistance class CRC ³⁾	2		

2) The Distribution Block must be mounted vertically when combined with a pressure sensor as condensate must not collect in the pressure sensor.

3) Corrosion resistance class 2 according to Festo standard 940 070

Components requiring moderate corrosion resistance. Externally visible parts with primarily decorative surface requirements which are in direct contact with a normal industrial environment or media such as coolants or lubricating agents.

Distribution Blocks MS6N-FRM – Inch Series

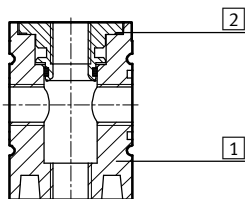
Technical Data

Weight [lb]	
Standard	1.00
With non-return function	0.80
With pressure switch	1.56
With pressure sensor	1.14

- For spare parts go to: www.festo.com/en/spare_parts_service

Materials

Sectional view (Standard)



Distribution block		
1	Housing	Die-cast aluminum
2	Threaded insert	Aluminum
	Note on materials	Free of copper and PTFE (not with variants AG or AD...)

Distribution Blocks MS6N-FRM – Inch Series

Dimensional Drawings



Dimensions¹⁾ – Standard/With Non-Return Function

Download CAD Data → www.festo.com/us/cad



Type	B1	B2	B3	D1	D2	L1	L2
MS6N-FRM-1/4	2.44	1.22	2.99	1/4 NPT	1/2 NPT	3.33	1.54
MS6N-FRM-1/4-I						3.43	1.64
MS6N-FRM-3/8	2.44	1.22	2.99	3/8 NPT	1/2 NPT	3.33	1.54
MS6N-FRM-3/8-I						3.43	1.64
MS6N-FRM-1/2	2.44	1.22	2.99	1/2 NPT	1/2 NPT	3.33	1.54
MS6N-FRM-1/2-I						3.43	1.64

1) Dimensions are in inches, unless otherwise noted.

Distribution Blocks MS6N-FRM – Inch Series

Dimensional Drawings

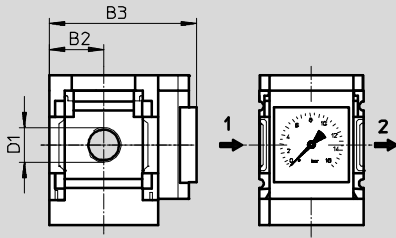


Dimensions¹⁾ – Pressure Gauge Alternatives

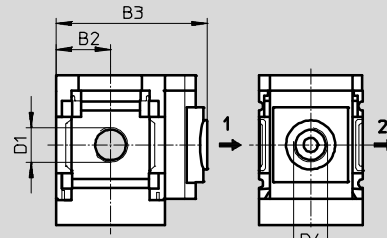
Download CAD Data → www.festo.com/us/cad

Integrated MS pressure gauge AG, display unit [psi]

Adapter plate A4 for EN pressure gauge 1/4, without pressure gauge



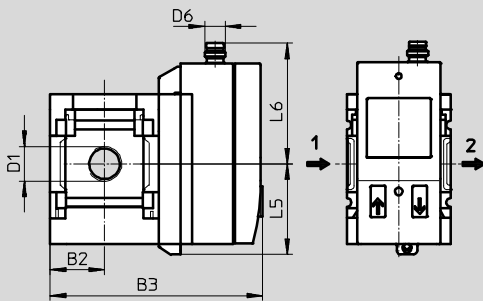
→ Flow direction



→ Flow direction

Pressure sensor with display AD1 ... AD4

Technical data SDE1 → www.festo.com/catalog/sde1



→ Flow direction

Variant AD1:
SDE1-D10-G2-MS-L-P1-M8 with 3-pin
plug M8x1, 1 switch output PNP

Variant AD3:
SDE1-D10-G2-MS-L-PI-M12 with
4-pin plug M12x1, 1 switch output
PNP and 4 ... 20 mA analog

Variant AD2:
SDE1-D10-G2-MS-L-N1-M8 with 3-pin
plug M8x1, 1 switch output NPN

Variant AD4:
SDE1-D10-G2-MS-L-NI-M12 with
4-pin plug M12x1, 1 switch output
NPN and 4 ... 20 mA analog

Type	B2	B3	D1	D4	D6	L5	L6
MS6N-FRM-1/4-...-AG	1.22	3.03	1/4 NPT	-	-	-	-
MS6N-FRM-3/8-...-AG			3/8 NPT				
MS6N-FRM-1/2-...-AG			1/2 NPT				
MS6N-FRM-1/4-...-A4	1.22	3.09	1/4 NPT	G1/4	-	-	-
MS6N-FRM-3/8-...-A4			3/8 NPT				
MS6N-FRM-1/2-...-A4			1/2 NPT				
MS6N-FRM-1/4-...-AD1/AD2	1.22	4.06	1/4 NPT	-	M8x1	1.38	1.84
MS6N-FRM-3/8-...-AD1/AD2			3/8 NPT				
MS6N-FRM-1/2-...-AD1/AD2			1/2 NPT				
MS6N-FRM-1/4-...-AD3/AD4	1.22	4.06	1/4 NPT	-	M12x1	1.38	2.20
MS6N-FRM-3/8-...-AD3/AD4			3/8 NPT				
MS6N-FRM-1/2-...-AD3/AD4			1/2 NPT				

1) Dimensions are in inches, unless otherwise noted.

Distribution Blocks MS6N-FRM – Inch Series



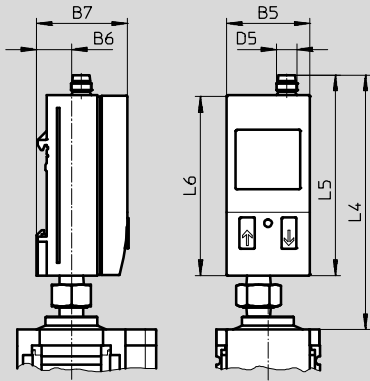
Dimensional Drawings

Dimensions¹⁾ – Pressure Gauge Alternatives

Pressure sensor with display AD5/AD6

Download CAD Data → www.festo.com/us/cad

Technical data SDE1 → www.festo.com/catalog/sde1



Variant AD5:
SDE1-D10-G2-H18-C-P1-M8 with
3-pin plug M8x1, 1 switch output PNP

Variant AD6:
SDE1-D10-G2-W18-L-2I-M12 with
5-pin plug M12x1, 2 switch outputs
PNP and 4 ... 20 mA analog

Type	B5	B6	B7	D5	L4	L5	L6
MS6N-FRM-...-AD5	1.27	0.53	1.39	M8	3.70	3.07	2.76
MS6N-FRM-...-AD6				M12	4.06	3.43	

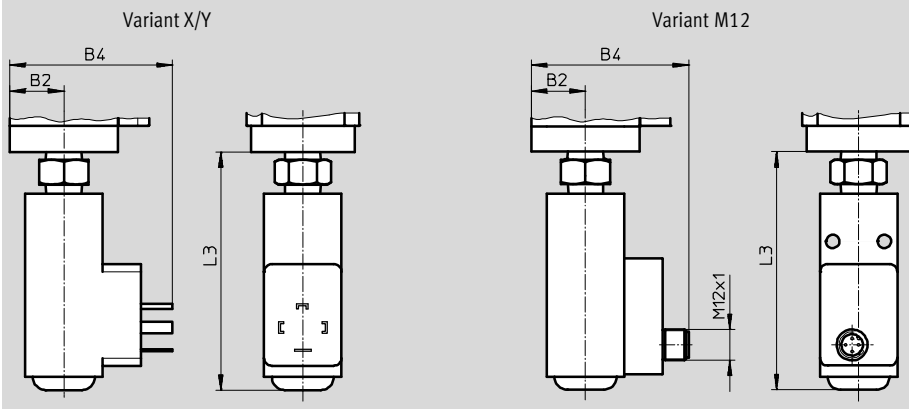
1) Dimensions are in inches, unless otherwise noted.

Dimensions¹⁾ – Pressure Switch

Pressure switch with adjustable pressure switching point X/Y/M12

Download CAD Data → www.festo.com/us/cad

Technical data PEV → www.festo.com/catalog/pev



Variant X:
PEV-1/4-SC-0D with display, plug,
square design to DIN EN 175 301,
type A

Variant Y:
PEV-1/4-B-0D, plug, square design to
DIN EN 175 301, type A

Variant M12:
PEV-1/4-B-M12 with 4-pin plug M12x1

Type	B2	B4	L3
MS6N-FRM-...-X/Y	1.22	2.87	3.92
MS6N-FRM-...-M12	1.22	2.80	3.92

1) Dimensions are in inches, unless otherwise noted.

Distribution Blocks MS6N-FRM – Inch Series

FESTO

Ordering Data – Pre-configured Products

Ordering Data			
Connection	Part No.	Type	LT
Standard			
1/4 NPT	531965	MS6N-FRM-1/4 ¹⁾	1D
3/8 NPT	531967	MS6N-FRM-3/8 ¹⁾	1D
1/2 NPT	531966	MS6N-FRM-1/2 ¹⁾	1D
With integrated non-return function			
1/4 NPT	536977	MS6N-FRM-1/4-I ¹⁾	Q
3/8 NPT	536978	MS6N-FRM-3/8-I ¹⁾	Q
1/2 NPT	536979	MS6N-FRM-1/2-I ¹⁾	Q
With pressure switch PEV-1/4-B-0D (variant Y)			
1/4 NPT	531971	MS6N-FRM-1/4-Y ¹⁾	1D
3/8 NPT	531973	MS6N-FRM-3/8-Y ¹⁾	1D
1/2 NPT	531972	MS6N-FRM-1/2-Y ¹⁾	1D

LT = Lead time

1D typically ships same day/next day

3D typically ships within 3 days

1) Free of copper and PTFE

Distribution Blocks MS6N-FRM – Inch Series



Ordering Data – Configurable Products

M Mandatory Data →

Part No.	Series	Size	Thread	Function	Connection size
527677	MS	6	N	FRM	1/4 3/8 1/2 AQN AQP AQR AQS
Order example					
527677	MS	6	N	- FRM	- 3/8

Ordering Table

Grid dimension	[mm]	62	Conditions	Code	Enter code
M Part No.	527677				
Series	Standard			MS	MS
Size	6			6	6
Thread	NPT thread			N	N
Function	Distribution block			-FRM	-FRM
Connection size	Body thread 1/4 NPT			-1/4	
	Body thread 3/8 NPT			-3/8	
	Body thread 1/2 NPT			-1/2	
	Port plate 1/4 NPT (dimensions → 1030)			-AQN	
	Port plate 3/8 NPT (dimensions → 1030)			-AQP	
	Port plate 1/2 NPT (dimensions → 1030)			-AQR	
	Port plate 3/4 NPT (dimensions → 1030)			-AQS	

Transfer order code

527677	MS	6	N	- FRM	
---------------	-----------	----------	----------	--------------	--

Distribution Blocks MS6N-FRM – Inch Series

Ordering Data – Configurable Products

→ **0 Options**

Additional function	Pressure gauge alternatives	Alternative pressure gauge scale	Pressure switch	Type of mounting	Reverse flow direction
I	AG A4 AD1 AD2 AD3 AD4 AD5 AD6	BAR MPA	X Y M12	WP WPM WB	Z
-	- AG	- BAR	- M12	- WB	- Z

Ordering Table

Grid dimension	[mm]	62	Conditions	Code	Enter code
0 Additional function	With integrated non-return function		1	-I	
Pressure gauge alternatives	MS pressure gauge, psi			-AG	
	Adapter plate for EN pressure gauge 1/4, without pressure gauge			-A4	
	Pressure sensor with display, plug M8, 1 switching output PNP, 3-pin		2	-AD1	
	Pressure sensor with display, plug M8, 1 switching output NPN, 3-pin		2	-AD2	
	Pressure sensor with display, plug M12, 1 switching output PNP, 4-pin, analog output 4 ... 20 mA		2	-AD3	
	Pressure sensor with display, plug M12, 1 switching output NPN, 4-pin, analog output 4 ... 20 mA		2	-AD4	
	Pressure sensor with display, plug M8, 1 switching output PNP, 3-pin		2	-AD5	
	Pressure sensor with display, plug M12, 2 switching outputs PNP, 5-pin, analog output 4 ... 20 mA		2	-AD6	
Alternative pressure gauge scale	bar		3	-BAR	
	MPa		3	-MPA	
Pressure switch	Pressure switch PEV with display, socket, EN 175301, type A, cube		4	-X	
	Pressure switch PEV without display, socket, EN 175301, type A, cube		4	-Y	
	Pressure switch PEV without display, socket, round, M12, 4-pin		4	-M12	
Type of mounting	Mounting bracket (dimensions → 1031)		5	-WP	
	Mounting bracket (dimensions → 1031)		5	-WPM	
	Mounting bracket (dimensions → 1028)			-WB	
Reverse flow direction	Flow direction from right to left			-Z	

- 1** **I** Not with pressure gauge alternatives AD5 or AD6
- 2** **AD1 ... AD6** Measuring range max. 147 psi
- 3** **BAR, MPA** Only with pressure gauge AG

- 4** **X, Y, M12** Max. permissible supply pressure P1 = 176 psi. Not with pressure gauge alternatives AD5 or AD6
- 5** **WP, WPM** Only with port plate AQN, AQP, AQR or AQS

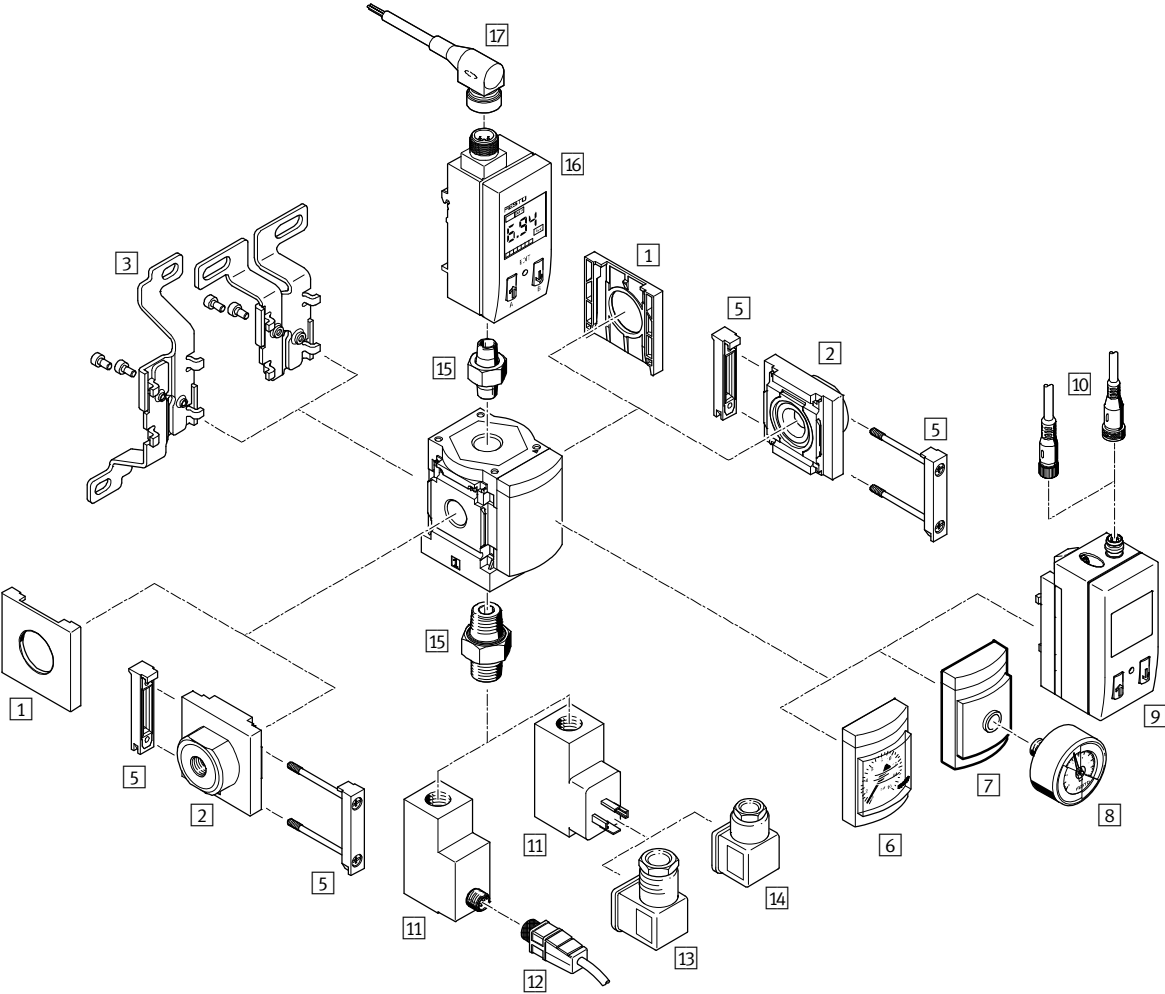
Transfer order code

- - - - - -

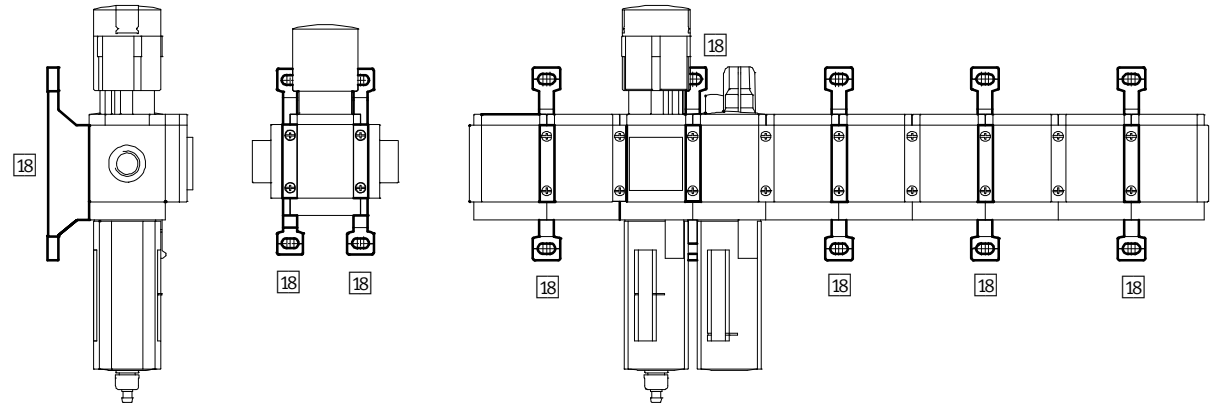
Distribution Blocks MS6N-FRM – Inch Series

Accessories Overview

Mounting Attachments and Accessories



Single unit and combination unit mounting brackets.



Distribution Blocks MS6N-FRM – Inch Series

Accessories Overview



Mounting Attachments and Accessories						
		Single unit		Combination unit → 3.1-49		→ Page
		without port plate	with port plate	without port plate	with port plate	
1	Cover cap MS6-END	■	-	■	-	1029
2	Port plate MS6N-AQ...	-	■	-	■	1030
3	Mounting bracket MS6-WB	■	■	-	-	1028
5	Body connector MS6-MV	-	■	■	■	1030
6	MS pressure gauge AG	■	■	■	■	1024
7	Adapter for EN pressure gauge 1/4 A4	■	■	■	■	1024
8	Pressure gauge MA	■	■	■	■	1035
9	Pressure sensor SDE1-...-MS AD1 ... AD4	■	■	■	■	1024
10	Plug socket with cable SIM-M8-3.../SIM-M12-4...	■	■	■	■	1035
11	Pressure switch PEV X/Y/M12	■	■	■	■	1024
12	Plug socket with cable SIM-M12-4...	■	■	■	■	1035
13	Angled socket PEV-1/4-WD-LED-...	■	■	■	■	1034
14	Plug socket MSSD-C-4P	■	■	■	■	1034
15	Double nipple ESK	■	■	■	■	1034
16	Pressure sensor SDE1-...-H18/W18 AD5/AD6	■	■	■	■	1024
17	Plug socket with cable SIM-M8-3.../SIM-M12-5...	■	■	■	■	1035
18	Mounting bracket MS6-WP/WPB/WPM	-	■	■	■	1031

Distribution Blocks MS6N-FRM – Inch Series



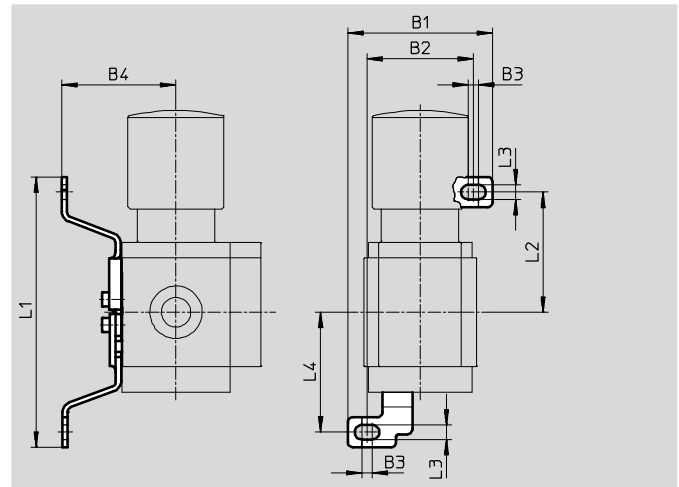
Accessories

3 Mounting bracket MS6-WB

- For wall mounting

Material:

Steel



Dimensions and Ordering Data										
B1	B2	B3	B4	L1	L2	L3	L4	Weight [lb]	Part No.	Type
3.13	2.44	0.18	2.17	6.20	2.80	0.26	2.80	0.24	532196	MS6-WB

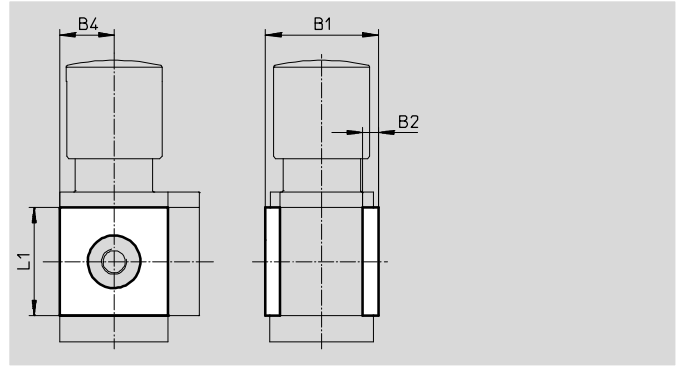
Distribution Blocks MS6N-FRM – Inch Series

Accessories

1 Cover cap MS6-END

- Can be used to cover the body sides of the first and last module if port plates are not used.

Material:
Reinforced polyamide
Free of copper and PTFE



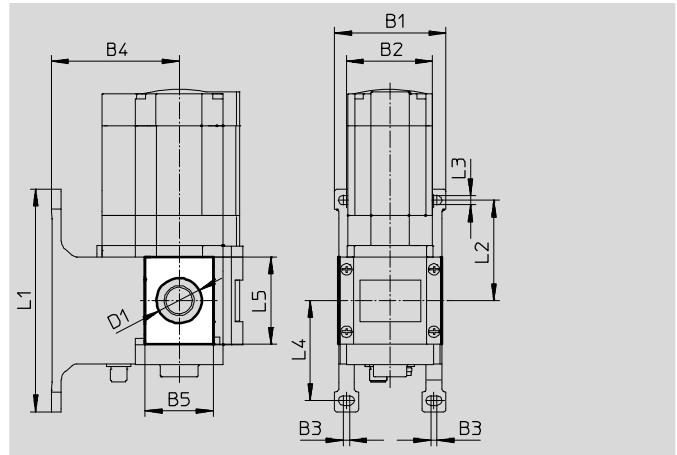
Dimensions and Ordering Data						
B1	B2	B4	L1	Part No.	Type	
2.64	0.31	1.22	2.44	538780	MS6-END	

Mounting plate MS6-AEND

(order code: WBE; scope of delivery includes mounting bracket MS6-WPB)

- In combination with mounting bracket MS-WP or MS-WPB for mounting an individual unit on a wall with body thread

Material:
Reinforced polyamide
Conforms to RoHS
Free of copper and PTFE



Dimensions and Ordering Data															
B1	B2	B3	B4		B5	D1 ∅	L1	L2	L3	L4	L5	CRC ¹⁾	Weight [lb]	Part No.	Type
			WP	WPB											
3.11	2.44	0.18	2.13	3.56	1.91	1.26	6.22	2.80	0.26	2.80	2.44	2	0.03	535408	MS6-AEND

1) Corrosion resistance class 2 according to Festo standard 940 070
Components requiring moderate corrosion resistance. Externally visible parts with primarily decorative surface requirements which are in direct contact with a normal industrial environment or media such as coolants or lubricating agents.

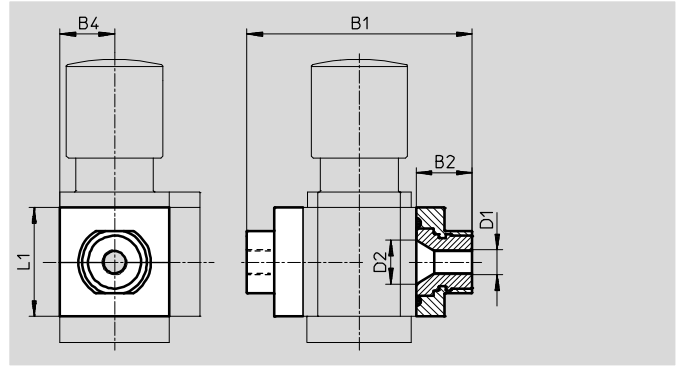
Distribution Blocks MS6N-FRM – Inch Series

Accessories

2 Port plate MS6N-AQ...

- Adapter for pneumatic connection
- MS6-AGE for implementing threaded connection 3/4 NPT

Material:
Aluminum



Dimensions and Ordering Data								
B1	B2	B4	D1	D2	L1	Weight [lb]	Part No.	Type
4.53	1.04	1.22	1/4 NPT	0.94	2.44	0.60	526076	MS6N-AQN
			3/8 NPT				526077	MS6N-AQP
			1/2 NPT				526078	MS6N-AQR
			3/4 NPT				526079	MS6N-AQS

5 Body connector MS...-MV

- For connecting modules

Material:
Stainless steel/polyacetate



Ordering Data		
Weight [lb]	Part No.	Type
0.11	532799	MS6-MV

Distribution Blocks MS6N-FRM – Inch Series

Accessories

18 Mounting Bracket MS6-WP...

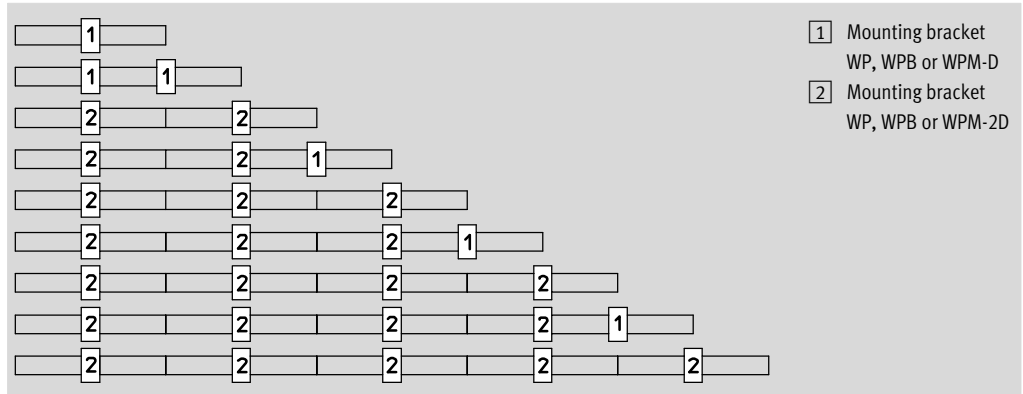
Suggested placement of wall mounting brackets when mounting air preparation combinations

1 unit: 2.44 in with WP, WPB
2.715 in with WPM-D

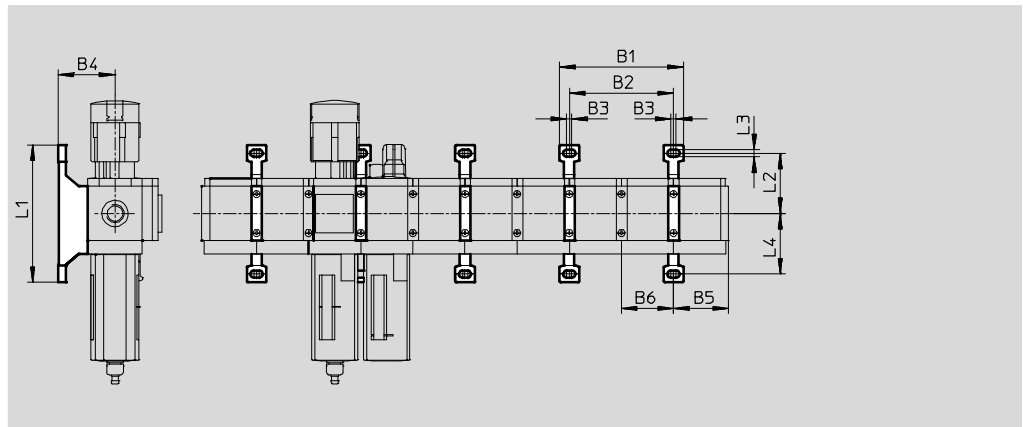
2 units: 4.88 in with WP, WPB
5.43 in with WPM-2D

Number of units

1 2 3 4 5 6 7 8 9 10



Mounting dimensions



Type	B1	B2	B3	B4	B5	B6	L1	L2	L3	L4
MS6-WP	5.55	4.88	0.18	2.13	2.54	2.44	6.22	2.80	0.26	2.80
MS6-WPB				3.56						
MS6-WPM-...D	6.61	5.43	0.69	2.13	2.58	2.72	3.88	1.63		1.63

Distribution Blocks MS6N-FRM – Inch Series

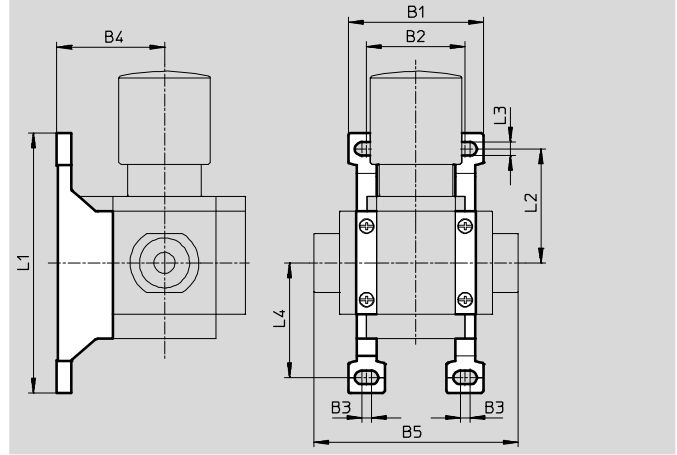


Accessories

Mounting bracket MS6-WP

- To connect the modules for wall mounting
- In combination with a port plate MS-AG... for mounting an individual unit on a wall
- In combination with mounting plate MS-AEND or for mounting an individual unit with body thread on a wall
- For pressure regulator LRB with angled outlet block B... at rear

Material:
Die-cast aluminum

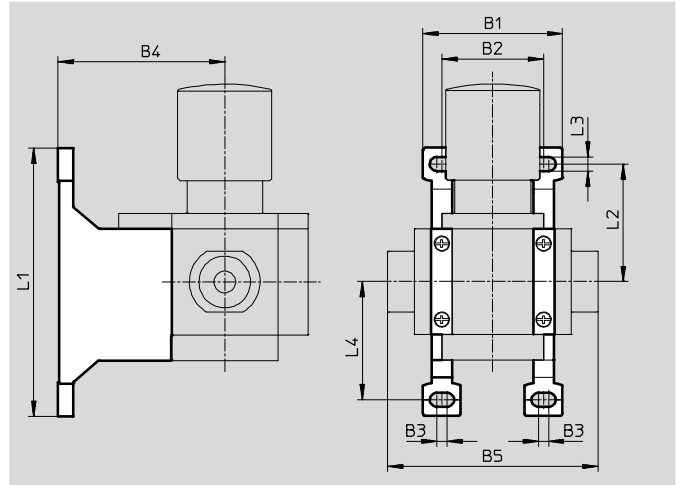


Dimensions and Ordering Data											
B1	B2	B3	B4	B5	L1	L2	L3	L4	Weight [lb]	Part No.	Type
3.11	2.44	0.18	2.13	4.53	6.22	2.80	0.26	2.80	0.15	532195	MS6-WP

Mounting bracket MS6-WPB

- To connect the modules for wall mounting
- In combination with a port plate MS-AG... for mounting an individual unit on a wall
- In combination with mounting plate MS-AEND or for mounting an individual unit with direct thread on a wall
- Provides large wall gap for pressure regulator

Material:
Die-cast aluminum



Dimensions and Ordering Data											
B1	B2	B3	B4	B5	L1	L2	L3	L4	Weight [lb]	Part No.	Type
3.11	2.44	0.18	3.56	4.53	6.22	2.80	0.26	2.80	0.23	526074	MS6-WPB

Distribution Blocks MS6N-FRM – Inch Series

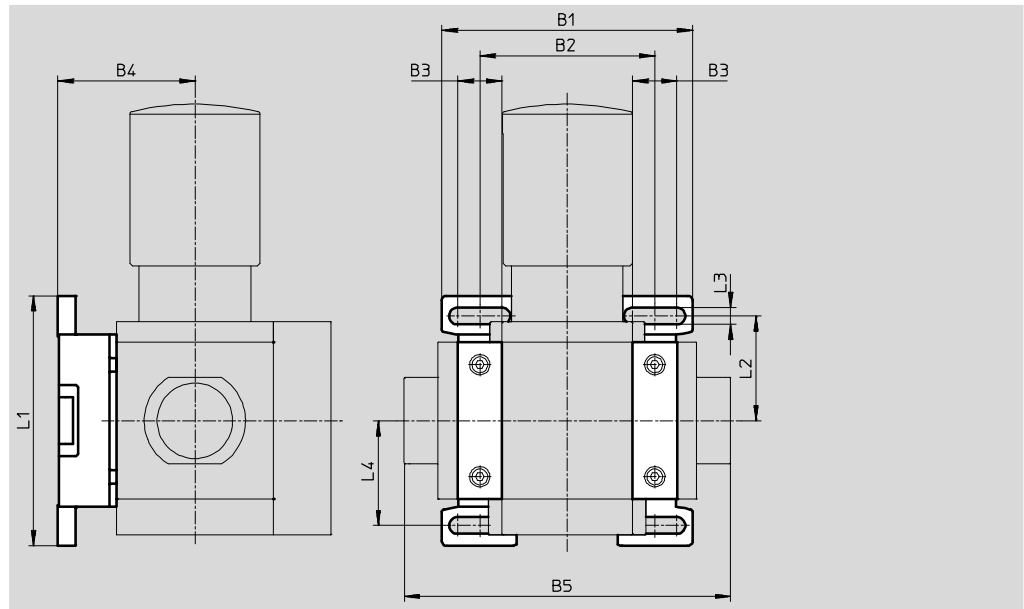
Accessories

Mounting bracket MS6-WPM

- To connect the modules for wall mounting
- In combination with a port plate MS-AG... for mounting an individual unit on a wall
- Speedy attachment and detachment
- For installation of modules with regulating knob pointing downwards

The distance piece D or 2D (designated in the type code) is included in the scope of delivery and ensures the correct clearance

Material:
Die-cast aluminum



Dimensions and Ordering Data												
B1	B2	B3	B4	B5	L1	L2	L3	L4	Clearance	Weight [lb]	Part No.	Type
3.90	2.72	0.69	2.13	5.08	3.88	1.63	0.26	1.63	2.44	0.29	526073	MS6-WPM-D
6.61	5.43			7.80					4.88			

Body connector MS6-MVM

- For installation of modules with regulating knob pointing downwards

Material:
Die-cast aluminum

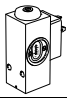
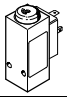
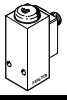


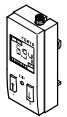
Ordering Data		
Size	Part No.	Type
MS6	532801	MS6-MVM

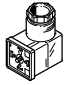
Distribution Blocks MS6N-FRM – Inch Series

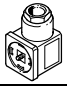
Accessories

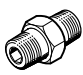
FESTO

11 Ordering Data – Pressure Switch PEV					Technical data → www.festo.com/catalog/pev	
	Pneumatic connection	Pressure switching point	Electrical connection	Order code	Part No.	Type
	1/4 NPT	Adjustable with visual scale	Plug, square design to DIN EN 175 301, type A	X	161760	PEV-1/4-SC-0D
	1/4 NPT	Adjustable	Plug, square design to DIN EN 175 301, type A	Y	175250	PEV-1/4-B-0D
	1/4 NPT	Adjustable	Plug M12x1, 4-pin	M12	192488	PEV-1/4-B-M12

16 Ordering Data – Pressure Sensor SDE1					Technical data → www.festo.com/catalog/sde1	
	Pneumatic connection	Electrical output	Electrical connection	Display	Order code	Part No. Type
Pressure sensor SDE1 for Distribution Block MS-FRM, pressure measuring range 0 ... 147 psi relative pressure measurement						
	Female thread 1/8 NPT	1 switch output PNP	M8x1, 3-pin	LCD	AD5	192030 SDE1-D10-G2-H18-C-P1-M8
		2 switch outputs PNP and 4 ... 20 mA analog	M12x1, 5-pin	Illuminated LCD	AD6	534062 SDE1-D10-G2-W18-L-2I-M12

13 Ordering Data – Angled Socket PEV					Technical data → www.festo.com/catalog/pev	
	Description	Operating voltage range	Electrical connection	Switching status display	Part No.	Type
	for PEV-1/4-...-OD	15 ... 30 V DC	4-pin	Yellow LED	164274	PEV-1/4-WD-LED-24
		≤ 230 V AC ≤ 180 V DC	4-pin	Yellow LED	164275	PEV-1/4-WD-LED-230


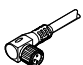
14 Ordering Data – Plug Socket MSSD					Technical data → www.festo.com/catalog/mssd	
	Description	Operating voltage range	Electrical connection	Type of mounting cable connection	Part No.	Type
	for PEV-1/4-...-OD	≤ 250 V AC/DC	3-pin	Clamping screws	171157	MSSD-C-4P


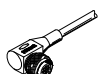
15 Ordering Data – Double Nipple ESK					
	Description	Pneumatic connection		Part No.	Type
	Adjustable for angular compensation • For retro-fitting pressure switch PEV or pressure sensor SDE1 to distribution block MS-FRM	R1/8	R1/4	534151	ESK-1/8-1/4
		R1/4	R1/4	151521	ESK-1/4-1/4
			R1/2	534153	ESK-1/4-1/2


Distribution Blocks MS6N-FRM – Inch Series

Accessories

FESTO

17 Ordering Data – Plug Socket with Cable SIM-M8			Technical data → www.festo.com/catalog/sim-m8	
	Electrical connection	Cable length [ft]	Part No.	Type
	M8x1, 3-pin	8.2	159420	SIM-M8-3GD-2,5-PU
		16.4	159421	SIM-M8-3GD-5-PU
		32.8	192964	SIM-M8-3GD-10-PU
	M8x1, 3-pin	8.2	159422	SIM-M8-3WD-2,5-PU
		16.4	159423	SIM-M8-3WD-5-PU
		32.8	192965	SIM-M8-3WD-10-PU

Ordering Data – Plug Socket with Cable SIM-M12			Technical data → www.festo.com/catalog/sim-m12	
	Electrical connection	Cable length [ft]	Part No.	Type
	M12x1, 4-pin	16.4	164259	SIM-M12-4GD-5-PU
	M12x1, 5-pin	8.2	175715	SIM-M12-5GD-2,5-PU
		16.4	175716	SIM-M12-5GD-5-PU
	M12x1, 4-pin	16.4	164258	SIM-M12-4WD-5-PU

8 Ordering Data – Pressure Gauge MA				Technical data → www.festo.com/catalog/ma		
	Nominal size	Pneumatic connection	Indicating range		Part No.	Type
			[bar]	[psi]		
	Pressure gauge MA, DIN EN 837-1					
	1.57	¼ NPT	0 ... 16	0 ... 232	183908	MA-40-16-N¼-EN
	Pressure gauge MA, DIN EN 837-1, with red-green range					
	1.97	¼ NPT	–	0 ... 232	530391	MA-50-232-N¼-PSI-E-RG

Festo - Your Partner in Automation



1 Festo Inc.
5300 Explorer Drive
Mississauga, ON L4W 5G4
Canada

Festo Customer Interaction Center
Tel: 1 877 463 3786
Fax: 1 877 393 3786
Email: customer.service.ca@festo.com



2 Festo Pneumatic
Av. Ceylán 3,
Col. Tequesquináhuac
54020 Tlalnepantla,
Estado de México

Multinational Contact Center
01 800 337 8669
ventas.mexico@festo.com



3 Festo Corporation
1377 Motor Parkway
Suite 310
Islandia, NY 11749

Festo Customer Interaction Center
1 800 993 3786
1 800 963 3786
customer.service.us@festo.com



4 Regional Service Center
7777 Columbia Road
Mason, OH 45040

Connect with us



www.festo.com/socialmedia



www.festo.com

Subject to change