

Membrane Air Dryers MS4N-LDM1 – Inch Series



Membrane air dryers remove water vapor from the compressed air and lower the dew point preventing moisture from forming downstream. Pre-filtration with a grade of 0.01 micron is required.

- Pneumatic connection: 1/8 NPT, 1/4 NPT, 3/8 NPT
- Pressure dew point reduction: 20 K
- Supply pressure: 44 ... 184 psi
- Flow rate: 1.8 ... 3.5 scfm

Product Range Overview						
Type	Flow rate [scfm]	Pneumatic connections		Bowl guard		Reverse flow
		Body thread	Port plate	Plastic bowl guard	Metal bowl	Flow direction from right to left
MS4N			AG...	R	U	Z
LDM1	1.8 ... 3.5	1/8 NPT, 1/4 NPT	1/8 NPT, 1/4 NPT, 3/8 NPT	-	■	■

Features

- Optimum final dryer with excellent operational reliability
- Suitable for use as an individual unit or for integration in existing service unit combinations
- Flow rate-dependent dew point reduction
- Wear-free function requiring no external energy
- 15% purge air flow rate
- Optional purge ring for ducting of purging air

- Typical areas of application:
- Drying, cleaning of precision parts
 - Measuring technology
 - Rinsing of precision glass scales
 - Painting systems
 - Paper and packaging machines

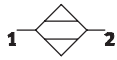
Contents

- Technical Data → 320
 - Dimensional Drawings → 322
 - Ordering Data → 322
 - Accessories → 324
- www.festo.com/catalog/ms4n-ldm

Membrane Air Dryers MS4N-LDM1 – Inch Series

Technical Data

ISO Symbol



Note

Prefiltration of the compressed air using a micro filter MS-LFM-A, filtration grade 0.01 μm (residual particles < 0.1 μm, residual oil content < 0.1 mg/m³) is vital for flawless functioning of the unit.

General Technical Data		
Pneumatic connection 1, 2	1/8 NPT	1/4 NPT
Pressure dew point reduction	[°F]	68
Supply pressure	[psi]	44 ... 184

Standard Flow Rate q _n ¹⁾ [scfm]		
	Cartridge P05	Cartridge P10
Input q _{n In}	2.1	4.2
Output q _{n Out}	1.8	3.5
Purge air q _{n Purge}	0.3	0.6

1) Measured at p₁ = 102 psi, θ_{pd In} = +77 °F, θ_{pd Out} = +41 °F ± 3 °F (θ_{pA Out} = -7 °F ± 2 °F), θ_{amb} = +77 °F

Operating and Environmental Conditions	
Operating medium	Compressed air, air quality class 1.7.2 to DIN ISO 8573-1
Ambient temperature	[°F] +36 ... +122
Temperature of medium	[°F] +36 ... +122
Storage temperature	[°F] -4 ... +140
Assembly position	Vertical ±5°
Corrosion resistance class	CRC ²⁾ 2

2) Corrosion resistance class 2 according to Festo standard 940 070
Components requiring moderate corrosion resistance. Externally visible parts with primarily decorative surface requirements which are in direct contact with a normal industrial environment or media such as coolants or lubricating agents.

Weights [lb]		
	Cartridge P05	Cartridge P10
Membrane air dryer	0.84	1.06

- For spare parts go to: www.festo.com/en/spare_parts_service

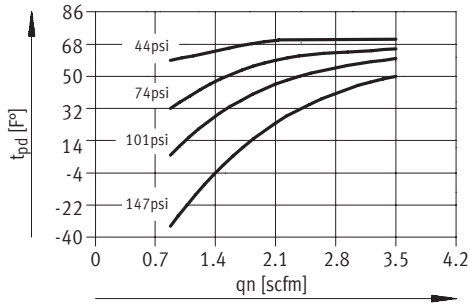
Membrane Air Dryers MS4N-LDM1 – Inch Series

Technical Data

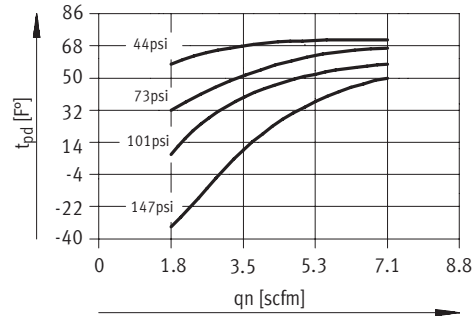


Pressure Dew Point t_{pd} (Output) as a Function of the Standard Flow Rate at Output q_n

MS4N-LDM1-...-P05

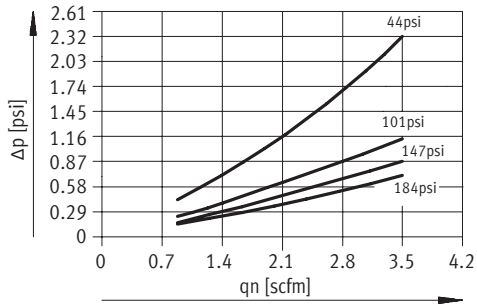


MS4N-LDM1-...-P10

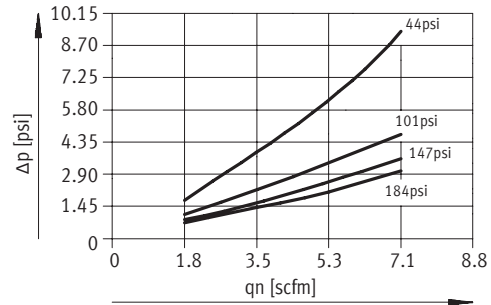


Differential Pressure Δp as a Function of the Standard Flow Rate at Output q_n

MS4N-LDM1-...-P05

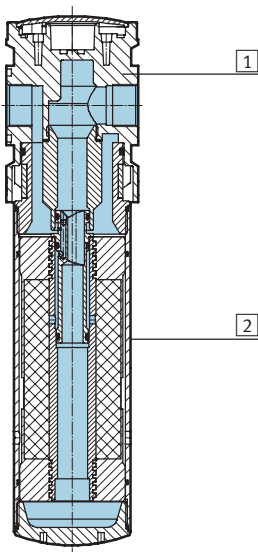


MS4N-LDM1-...-P10



Materials

Sectional view



Membrane air dryer		
1	Housing	Die-cast aluminum
2	Bowl	Wrought aluminum alloy
-	Seals	Nitrile rubber

Membrane Air Dryers MS4N-LDM1 – Inch Series

Dimensional Drawings, Ordering Data – Pre-configured Products



Download CAD Data → www.festo.com/us/cad

1 Push-in fitting QS-1/4-10 (included in scope of delivery), for tubing with outside diameter of 10 mm and min. inside diameter of 7 mm.

→ Flow direction

Type	B1	B2	B3	D1	D2	L1	L2	L3	L4	L5
MS4N-LDM1-1/8-P05	1.57	0.83	2.13	1/8 NPT	2.52	9.65	1.14	2.36	0.71	1.57
MS4N-LDM1-1/8-P10						13.58				
MS4N-LDM1-1/4-P05	1.57	0.83	2.13	1/4 NPT	2.52	9.65	1.14	2.36	0.71	1.57
MS4N-LDM1-1/4-P10						13.58				

1) Dimensions are in inches, unless otherwise noted.

Ordering Data				
Flow cartridge	Connection	Part No.	Type	LT
P10	1/8 NPT	543634	MS4N-LDM1-1/8-P10	Q
	1/4 NPT	543636	MS4N-LDM1-1/4-P10	Q

LT = Lead time 1D typically ships same day/next day 1W typically ships within 1 week Q request a quote for lead time

Membrane Air Dryers MS4N-LDM1 – Inch Series



Ordering Data – Configurable Products

M Mandatory Data							O Options		
Part No.	Series	Size	Thread	Function	Connection size	Flow cartridge	Purging air	Type of mounting	Reverse flow direction
543629	MS	4	N	LDM1	1/8, 1/4, AQP, AQN, AQP	P05 P10	PAC	WP WPM WB WBM	Z
Order example									
543629	MS	4	N	- LDM1	- AQP	- P10	-	- WP	-

Ordering Table		Grid dimension [mm]	40	Conditions	Code	Enter code
M	Part No.	543629				
	Series	Standard			MS	MS
	Size	4			4	4
	Thread	NPT thread			N	N
	Function	Membrane dryer			-LDM1	-LDM1
	Connection size	Body thread 1/8 NPT			-1/8	
		Body thread 1/4 NPT			-1/4	
		Port plate 1/8 NPT (dimensions → 328)			-AQK	
		Port plate 1/4 NPT (dimensions → 328)			-AQN	
		Port plate 3/8 NPT (dimensions → 328)			-AQP	
	Flow cartridge	1.8 scfm			-P05	
		3.5 scfm			-P10	
O	Purging air	Ducted purging air			-PAC	
	Type of mounting	Mounting bracket (dimensions → 329)		1	-WP	
		Mounting bracket (dimensions → 329)		1	-WPM	
		Mounting bracket (dimensions → 326)			-WB	
		Mounting bracket (dimensions → 326)			-WBM	
	Reverse flow direction	Flow direction from right to left			-Z	

1 WP, WPM Only with port plate AQK, AQN or AQP

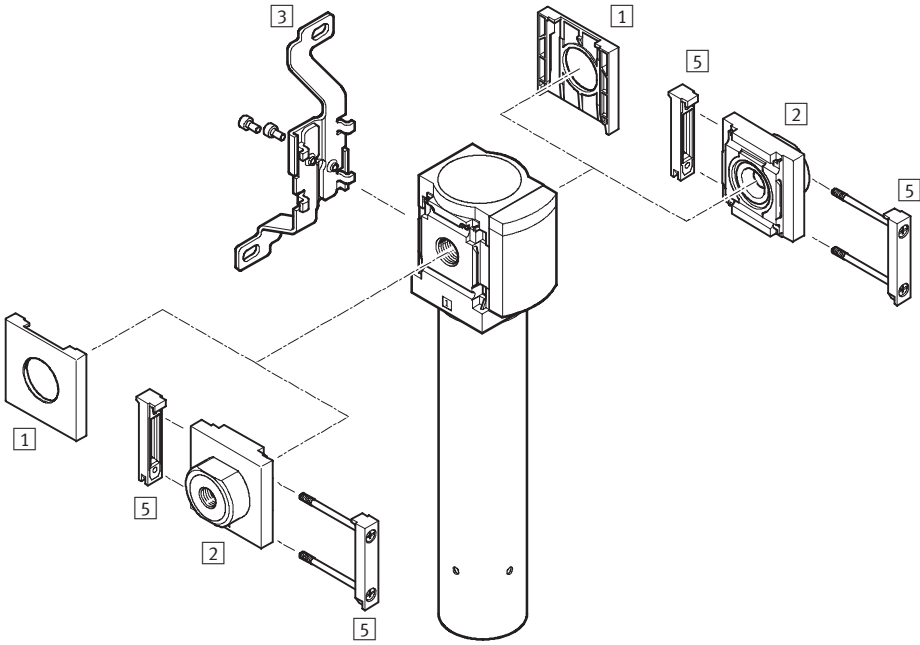
Transfer order code

543629	MS	4	N	-	LDM1	-		-		-	
--------	----	---	---	---	------	---	--	---	--	---	--

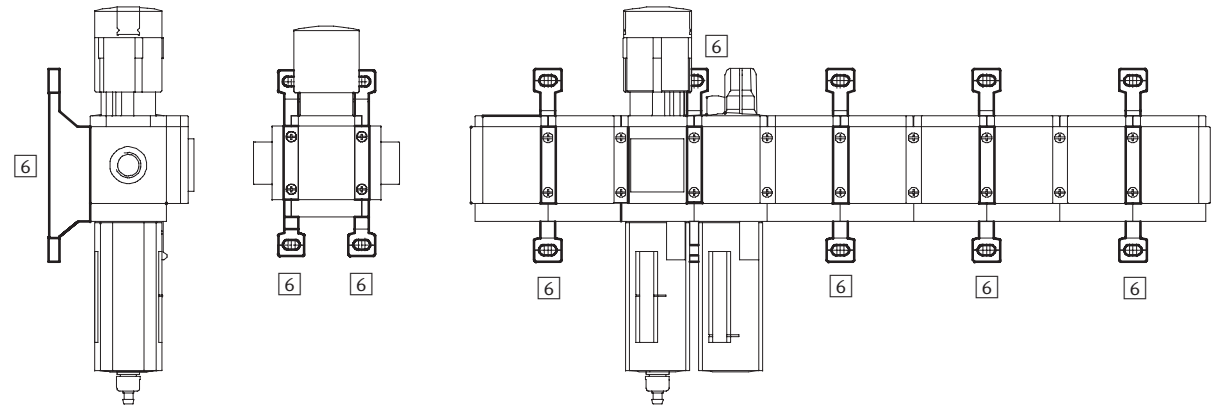
Membrane Air Dryers MS4N-LDM1 – Inch Series

Accessories Overview

Mounting Attachments and Accessories



Single unit and combination unit mounting brackets.



Membrane Air Dryers MS4N-LDM1 – Inch Series

Accessories Overview



Mounting Attachments and Accessories						
		Single unit		Combination unit → 2.1-49		→ Page
		without port plate	with port plate	without port plate	with port plate	
1	Cover cap MS4-END	■	-	■	-	327
2	Port plate MS4N-AQ...	-	■	-	■	328
3	Mounting bracket MS4-WB	■	■	-	-	326
5	Body connector MS4-MV	-	■	■	■	328
-	Mounting bracket MS4-WBM	■	■	-	-	326
6	Mounting bracket MS4-WP/WPB/WPM	-	■	■	■	329

Membrane Air Dryers MS4N-LDM1 – Inch Series

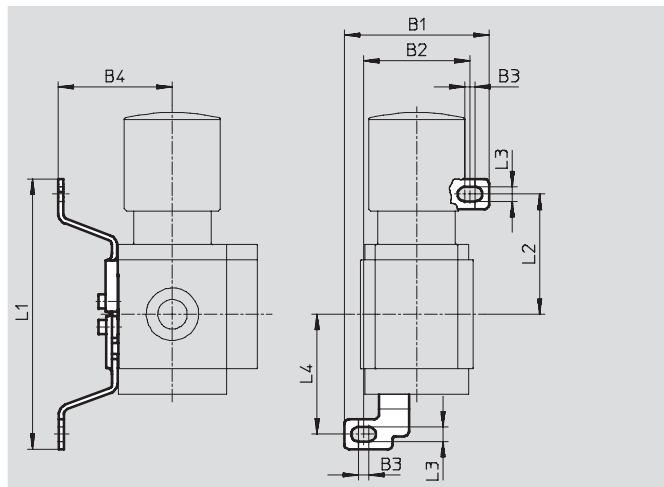
Accessories

3 Mounting bracket MS4-WB

- For wall mounting

Material:

Steel



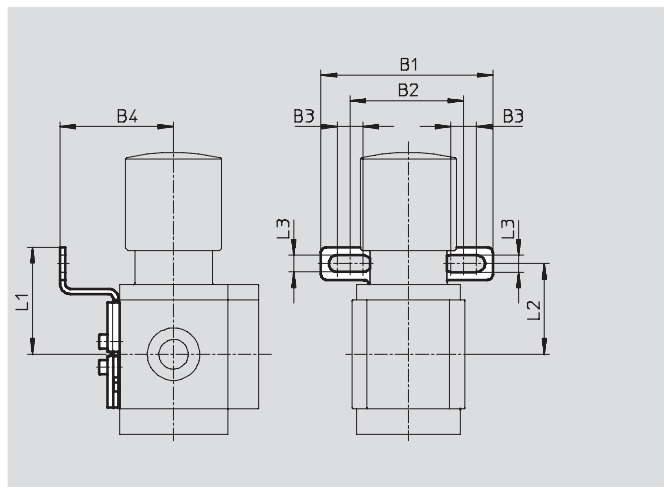
Dimensions and Ordering Data										
B1	B2	B3	B4	L1	L2	L3	L4	Weight [lb]	Part No.	Type
2.21	1.62	0.16	1.74	4.12	1.83	0.22	1.83	0.09	532185	MS4-WB

Mounting bracket MS4-WBM

- For wall mounting

Material:

Steel



Dimensions and Ordering Data									
B1	B2	B3	B4	L1	L2	L3	Weight [lb]	Part No.	Type
2.62	1.73	0.39	1.73	1.63	1.38	0.26	0.10	526062	MS4-WBM

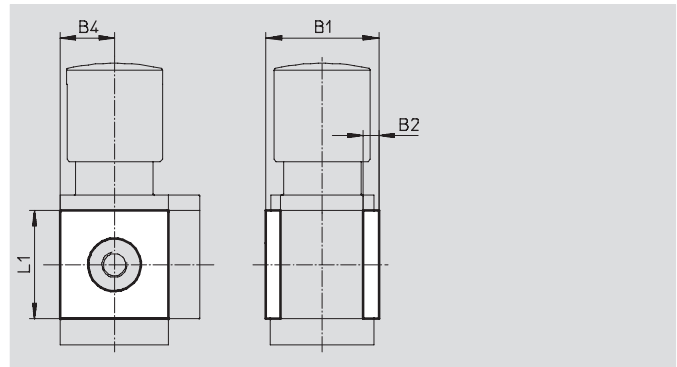
Membrane Air Dryers MS4N-LDM1 – Inch Series

Accessories

1 Cover cap MS4-END

- Can be used to cover the body sides of the first and last module if port plates are not used.

Material:
Reinforced polyamide
Free of copper and PTFE

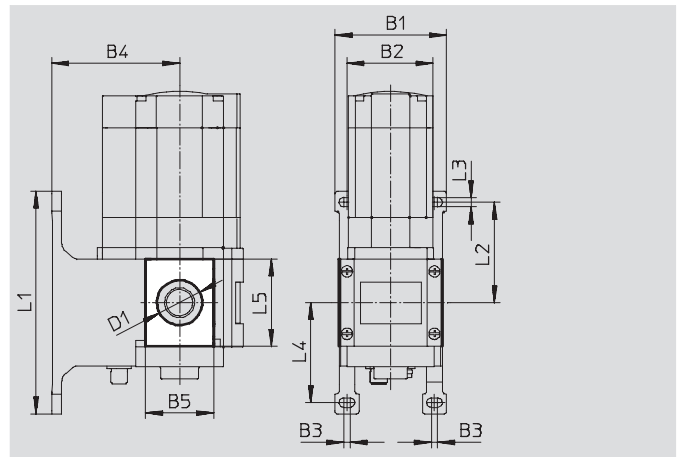


Dimensions and Ordering Data						
B1	B2	B4	L1	Part No.	Type	
1.72	0.24	0.83	1.65	538779	MS4-END	

Mounting plate MS4-AEND

- In combination with mounting bracket MS-WP or MS-WPB for mounting an individual unit on a wall with body thread

Material:
Reinforced polyamide
Conforms to RoHS
Free of copper and PTFE



Dimensions and Ordering Data															
B1	B2	B3	B4		B5	D1 ∅	L1	L2	L3	L4	L5	CRC ¹⁾	Weight [lb]	Part No.	Type
			WP	WPB											
2.17	1.58	0.16	1.73	2.60	1.20	0.80	4.17	1.83	0.22	1.84	1.65	2	0.01	542966	MS4-AEND

1) Corrosion resistance class 2 according to Festo standard 940 070
Components requiring moderate corrosion resistance. Externally visible parts with primarily decorative surface requirements which are in direct contact with a normal industrial environment or media such as coolants or lubricating agents.

Membrane Air Dryers MS4N-LDM1 – Inch Series

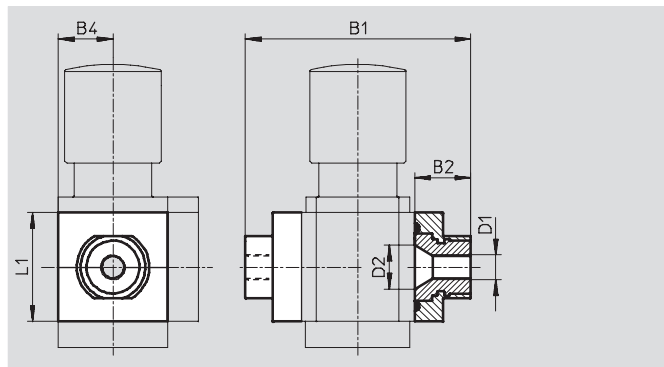
FESTO

Accessories

2 Port plate MS4N-AQ...

- Adapter for pneumatic connection

Material:
Aluminum



Dimensions and Ordering Data								
B1	B2	B4	D1	D2	L1	Weight [lb]	Part No.	Type
3.29	0.85	0.83	1/8 NPT	0.66	1.65	0.26	526065	MS4N-AQK
			1/4 NPT				526066	MS4N-AQN
			3/8 NPT				526067	MS4N-AQP

5 Body connector MS4-MV

- For connecting modules

Material:
Stainless steel/polyacetate



Ordering Data		
Weight [lb]	Part No.	Type
0.07	532798	MS4-MV

Membrane Air Dryers MS4N-LDM1 – Inch Series

Accessories



6 Mounting Bracket MS4-WP...

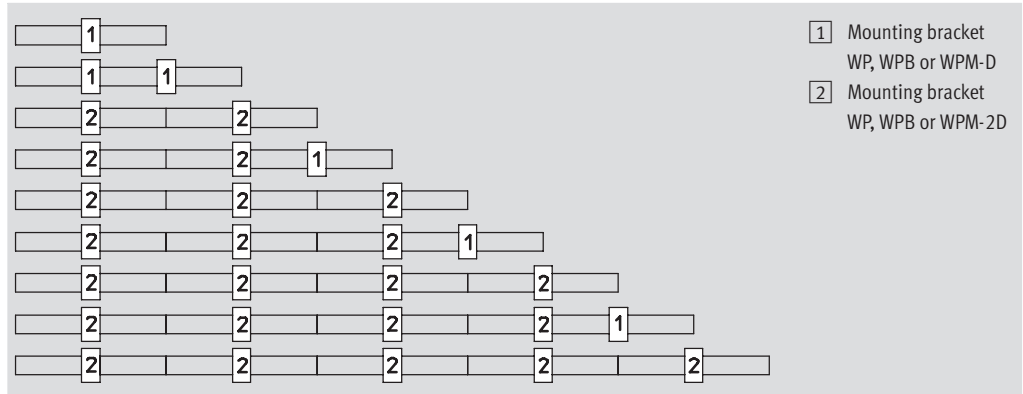
Suggested placement of wall mounting brackets when mounting air preparation combinations

1 unit: 1.575 in

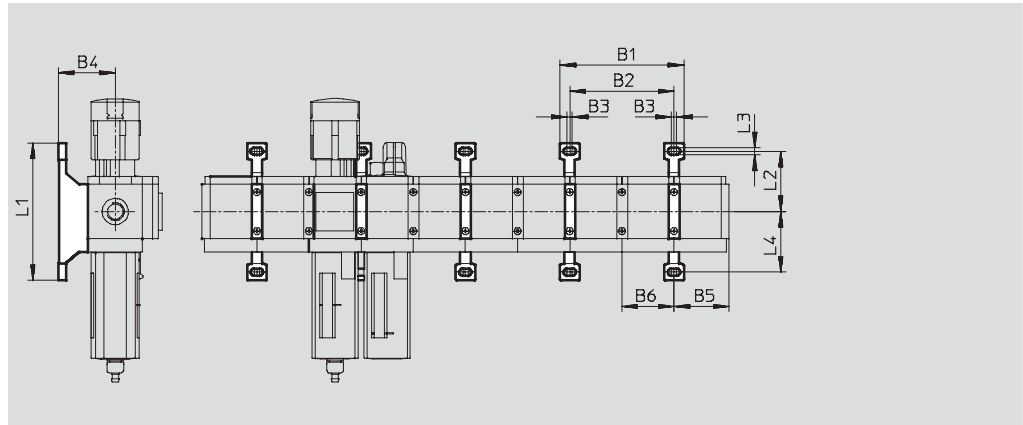
2 units: 3.15 in

Number of units

1 2 3 4 5 6 7 8 9 10



Mounting dimensions



Type	B1	B2	B3	B4	B5	B6	L1	L2	L3	L4
MS4-WP	3.75	3.15	0.16	1.73	1.65	1.57	4.17	1.83	0.22	1.84
MS4-WPB				2.60						
MS4-WPM-...D				1.73						

Membrane Air Dryers MS4N-LDM1 – Inch Series

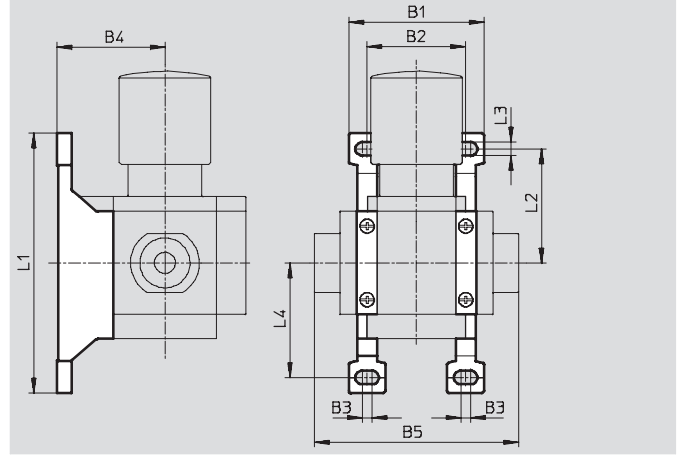


Accessories

Mounting bracket MS4-WP

- To connect the modules for wall mounting
- In combination with a port plate MS-AG... for mounting an individual unit on a wall
- In combination with mounting plate MS-AEND or for mounting an individual unit with body thread on a wall
- For pressure regulator LRB with angled outlet block B... at rear

Material:
Die-cast aluminum

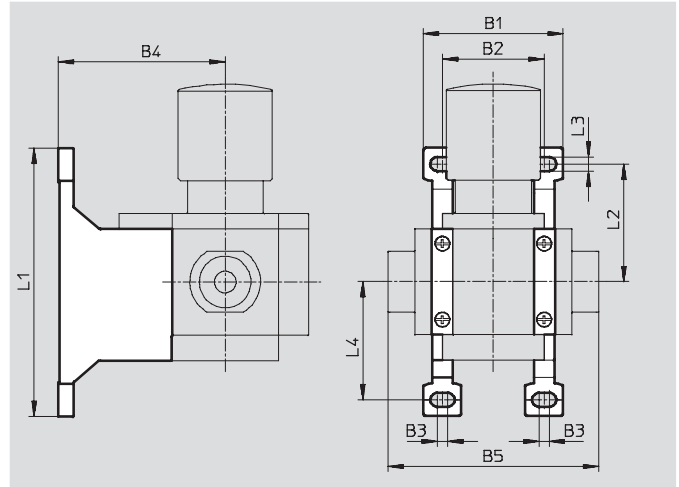


Dimensions and Ordering Data											
B1	B2	B3	B4	B5	L1	L2	L3	L4	Weight [lb]	Part No.	Type
2.17	1.58	0.16	1.73	3.28	4.17	1.83	0.22	1.84	0.08	532184	MS4-WP

Mounting bracket MS4-WPB

- To connect the modules for wall mounting
- In combination with a port plate MS-AG... for mounting an individual unit on a wall
- In combination with mounting plate MS-AEND or for mounting an individual unit with direct thread on a wall
- Provides large wall gap for pressure regulator

Material:
Die-cast aluminum



Dimensions and Ordering Data											
B1	B2	B3	B4	B5	L1	L2	L3	L4	Weight [lb]	Part No.	Type
2.17	1.58	0.16	2.60	3.28	4.17	1.83	0.22	1.84	0.11	526063	MS4-WPB

Membrane Air Dryers MS4N-LDM1 – Inch Series

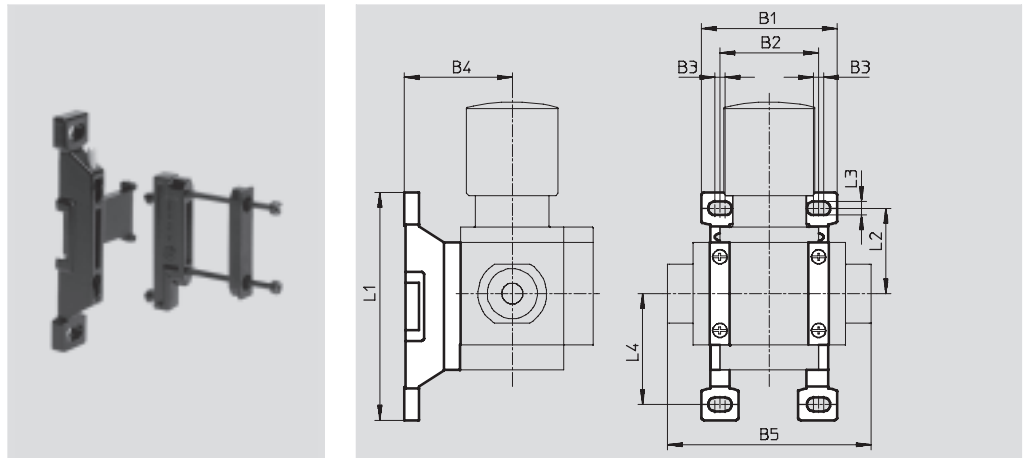
Accessories

Mounting bracket MS4-WPM

- To connect the modules for wall mounting
- In combination with a port plate MS-AG... for mounting an individual unit on a wall
- Speedy attachment and detachment
- For installation of modules with regulating knob pointing downwards

The distance piece D or 2D (designated in the type code) is included in the scope of delivery and ensures the correct clearance

Material:
Die-cast aluminum



Dimensions and Ordering Data												
B1	B2	B3	B4	B5	L1	L2	L3	L4	Clearance	Weight [lb]	Part No.	Type
2.17	1.57	0.16	1.73	3.28	3.65	1.37	0.22	1.78	1.57	0.09	526060	MS4-WPM-D
3.75	3.15			4.86					3.15	0.11	526061	MS4-WPM-2D

Body connector MS4-MVM

- For installation of modules with regulating knob pointing downwards

Material:
Die-cast aluminum



Ordering Data		
Size	Part No.	Type
MS4	532800	MS4-MVM

Festo - Your Partner in Automation



1 Festo Inc.
5300 Explorer Drive
Mississauga, ON L4W 5G4
Canada

Festo Customer Interaction Center
Tel: 1 877 463 3786
Fax: 1 877 393 3786
Email: customer.service.ca@festo.com



2 Festo Pneumatic
Av. Ceylán 3,
Col. Tequesquináhuac
54020 Tlalnepantla,
Estado de México

Multinational Contact Center
01 800 337 8669
ventas.mexico@festo.com



3 Festo Corporation
1377 Motor Parkway
Suite 310
Islandia, NY 11749

Festo Customer Interaction Center
1 800 993 3786
1 800 963 3786
customer.service.us@festo.com



4 Regional Service Center
7777 Columbia Road
Mason, OH 45040

Connect with us



www.festo.com/socialmedia



www.festo.com

Subject to change