

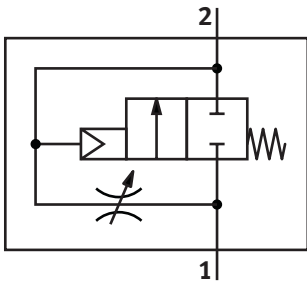
Soft-start valve HEL

FESTO



Characteristics

At a glance



Pneumatically actuated soft-start valve for slowly pressurising and exhausting pneumatic systems (for use with on/off valves HE and HEE). The duration of the pressure build-up is set using the flow restrictor attached to the valve cap. The output pressure p_2 rises slowly in accordance with the flow control position. The main seat opens when the switching pressure is reached.

- The drives move slowly and safely into the initial position
- Sudden and erratic movements are avoided
- Main seat opening at approx. 50% of the input pressure
- Adjustable switching time delay

Version

[D] D series, metal

Sturdy in full metal design for the specific requirements of the process automation industry

Type code

001	Series
HEL	Soft-start valve

002	Pneumatic connection
	None
1/8	Female thread G1/8
1/4	Female thread G1/4
3/8	Female thread G3/8
1/2	Female thread G1/2
3/4	Female thread G3/4
1	Female thread G1

003	Version
D	D series, metal

004	Size
MINI	Grid dimension 40 mm (without connecting plates)
MIDI	Grid dimension 55 mm (without connecting plates)
MAXI	Grid dimension 66 mm (without connecting plates)

Datasheet

General technical data

Size	Grid dimension 40 mm (without connecting plates)	Grid dimension 55 mm (without connecting plates)	Grid dimension 66 mm (without connecting plates)
Pneumatic connection, port 1 ¹⁾	G1/8, G1/4, G3/8, 1/4 NPT, 3/8 NPT	G1/4, G3/8, G1/2, G3/4, 3/8 NPT, 1/2 NPT, 3/4 NPT	G1/2, G3/4, G1, 3/4 NPT, 1 NPT
Pneumatic connection, port 2 ²⁾	G1/8, G1/4, G3/8, 1/4 NPT, 3/8 NPT	G1/4, G3/8, G1/2, G3/4, 3/8 NPT, 1/2 NPT, 3/4 NPT	G1/2, G3/4, G1, 3/4 NPT, 1 NPT
Design	Piston gate valve		
Type of actuation	Pneumatic		
Type of mounting	In-line installation With accessories		
Type of piloting	Direct		
Mounting position	optional		
Air purity class at output	Compressed air to ISO 8573-1:2010 [7:4:4], Inert gases		
Valve function	2/2-way, closed, monostable		
Exhaust-air function	With flow control option		
Type of reset	Mechanical spring		
Manual override	None		
Sealing principle	Soft		
Flow direction	Non-reversible		

1) Via sub-base [AG...]: G1/8, G1/4 or G3/8; [AQ...]: 1/8 NPT, 1/4 NPT or 3/8 NPT

2) Via sub-base [AG...]: G1/8, G1/4 or G3/8; [AQ...]: 1/8 NPT, 1/4 NPT or 3/8 NPT

Characteristic flow rate

Size	Grid dimension 40 mm (without connecting plates)			Grid dimension 55 mm (without connecting plates)				Grid dimension 66 mm (without connecting plates)		
	G1/8	G1/4	G3/8	G1/4	G3/8	G1/2	G3/4	G1/2	G3/4	G1
Pneumatic connection, port 1										
Standard nominal flow rate (standardised to DIN 1343) ¹⁾	1,000 l/min	1,500 l/min	1,600 l/min	2,600 l/min	3,200 l/min	3,600 l/min	3,800 l/min	5,600 l/min	6,000 l/min	6,500 l/min
C value	4.5 l/sbar	7.1 l/sbar	7.6 l/sbar	9 l/sbar	16.5 l/sbar	19.8 l/sbar	20.5 l/sbar	26.9 l/sbar	33.9 l/sbar	28.3 l/sbar
b value	0.46	0.41	0.3	0.59	0.39	0.37	0.48	0.36	0.38	0.54

1) Measured at p₁ = 6 bar and p₂ = 5 bar, Δp = 1 bar.

Characteristic flow rate – NPT thread (only for North America)

Size	Grid dimension 40 mm (without connecting plates)		Grid dimension 55 mm (without connecting plates)			Grid dimension 66 mm (without connecting plates)	
Pneumatic connection, port 1	1/4 NPT	3/8 NPT		1/2 NPT	3/4 NPT		1 NPT
Standard nominal flow rate (standardised to DIN 1343) ¹⁾	1,500 l/min	1,600 l/min	3,200 l/min	3,600 l/min	3,800 l/min	6,000 l/min	6,500 l/min
C value	7.1 l/sbar	7.6 l/sbar	16.5 l/sbar	19.8 l/sbar	20.5 l/sbar	33.9 l/sbar	28.3 l/sbar
b value	0.41	0.3	0.39	0.37	0.48	0.38	0.54

1) Measured at p₁ = 6 bar and p₂ = 5 bar, Δp = 1 bar.

Operating and environmental conditions

Operating pressure	0.3 ... 1.6 MPa
Operating pressure	3 ... 16 bar
Operating medium	Compressed air to ISO 8573-1:2010 [7:4:4], Inert gases
Note on operating and pilot medium	Lubricated operation possible (in which case lubricated operation will always be required)
Ambient temperature	-10 ... 60°C
Media temperature	-10 ... 60°C
Corrosion resistance class CRC ¹⁾	2 - Moderate corrosion stress

1) More information www.festo.com/x/topic/crc

Datasheet

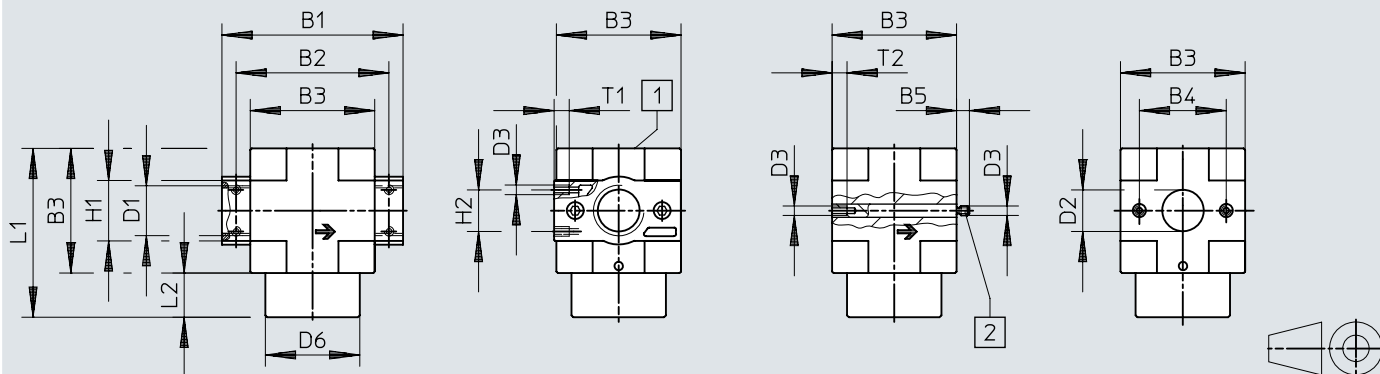
Materials

Material housing	Die-cast aluminium
Material seals	NBR
Note on materials	RoHS-compliant
LABS (PWIS) conformity	VDMA24364-B1/B2-L

Dimensions

Dimensions – With sub-bases with threaded connection, without sub-bases

Download CAD data www.festo.com



- [1] Adjusting screw in the housing
- [2] Threaded bolt (exchangeable)

	B1	B2	B3	B4	B5	D1	D2 ∅	D3	D6	H1	H2	L1	L2	T1	T2
HEL-1/8-D-MINI	64	52	40	30	-	G1/8	-	M4	30	20	11	56	16	7	-
HEL-1/4-D-MINI						G1/4									
HEL-3/8-D-MINI						G3/8									
HEL-D-MINI	-	-	-	-	5,8	-	11	-	-	-	-	-	-	-	10
HEL-1/4-D-MIDI	85	70	55	43	-	G1/4	-	M5	50	32	22	77	22	8	-
HEL-3/8-D-MIDI						G3/8									
HEL-1/2-D-MIDI						G1/2									
HEL-3/4-D-MIDI						G3/4									
HEL-D-MIDI	-	-	-	-	6,8	-	24	-	-	-	-	-	-	-	11
HEL-1/2-D-MAXI	96	80	66	46	-	G1/2	-	M5	50	32	22	89	23	8	-
HEL-3/4-D-MAXI						G3/4									
HEL-1-D-MAXI						G1									
HEL-D-MAXI	-	-	-	-	6,8	-	30	-	-	-	-	-	-	-	11

1) Note: This product complies with ISO 1179-1 and ISO 228-1.

Ordering data

Ordering data – metric threads					
Size	Pneumatic connection, port 1 ¹⁾	Pneumatic connection, port 2 ²⁾	Product weight	Part no.	Type
Grid dimension 40 mm (without connecting plates)			126 g	170690	HEL-D-MINI
	G1/8	G1/8		165076	HEL-1/8-D-MINI
	G1/4	G1/4		165077	HEL-1/4-D-MINI
	G3/8	G3/8		165078	HEL-3/8-D-MINI
Grid dimension 55 mm (without connecting plates)			270 g	170691	HEL-D-MIDI
	G1/4	G1/4		186521	HEL-1/4-D-MIDI
	G3/8	G3/8		165079	HEL-3/8-D-MIDI
	G1/2	G1/2		165080	HEL-1/2-D-MIDI
Grid dimension 66 mm (without connecting plates)			394 g	165081	HEL-3/4-D-MIDI
	G3/4	G3/4		170692	HEL-D-MAXI
	G1	G1		186522	HEL-1/2-D-MAXI
				165082	HEL-3/4-D-MAXI
				165083	HEL-1-D-MAXI

1) Connecting plates

2) Connecting plates

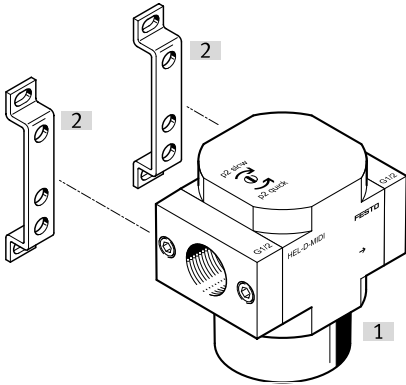
Ordering data – NPT thread (only for North America)					
Size	Pneumatic connection, port 1 ¹⁾	Pneumatic connection, port 2 ²⁾	Product weight	Part no.	Type
Grid dimension 40 mm (without connecting plates)	1/4 NPT	1/4 NPT	126 g	173917	HEL-1/4-D-MINI-NPT
	3/8 NPT	3/8 NPT		173918	HEL-3/8-D-MINI-NPT
Grid dimension 55 mm (without connecting plates)			270 g	173919	HEL-3/8-D-MIDI-NPT
	1/2 NPT	1/2 NPT		173920	HEL-1/2-D-MIDI-NPT
	3/4 NPT	3/4 NPT		173921	HEL-3/4-D-MIDI-NPT
Grid dimension 66 mm (without connecting plates)			394 g	173922	HEL-3/4-D-MAXI-NPT
	1 NPT	1 NPT		173923	HEL-1-D-MAXI-NPT

1) Connecting plates

2) Connecting plates

Peripherals

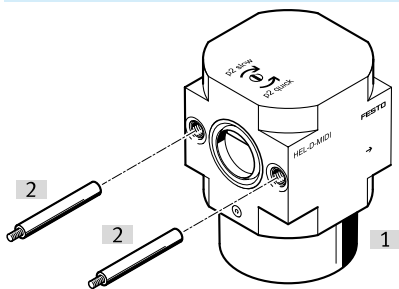
Individual unit with connecting plates



Accessories		→ Link
Type/order code	Description	
[1] Soft-start valve HEL		hel-d
[2] Mounting bracket HFOE		10

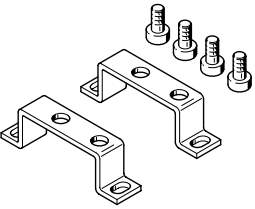
Peripherals

Individual unit without connecting plates, for service unit combination

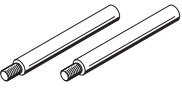


Accessories		→ Link
Type/order code	Description	
[1] Soft-start valve HEL		hel-d
[2] Threaded bolt FRB	Included in the scope of delivery	10

Accessories

Mounting bracket HFOE					
	Corrosion resistance class CRC ¹⁾	LABS (PWIS) conformity	Product weight	Part no.	Type
	2 - Moderate corrosion stress	VDMA24364-B2-L	66 g	159593	HFOE-D-MIDI/MAXI
		VDMA24364-B1/B2-L		159638	HFOE-D-MINI

1) More information www.festo.com/x/topic/crc

Threaded bolt FRB			
	Size	Part no.	Type
	Grid dimension 40 mm (without sub-bases)	159642	FRB-D-MINI
	Grid dimension 55 mm (without sub-bases)	159595	FRB-D-MIDI
	Grid dimension 66 mm (without sub-bases)	159643	FRB-D-MAXI