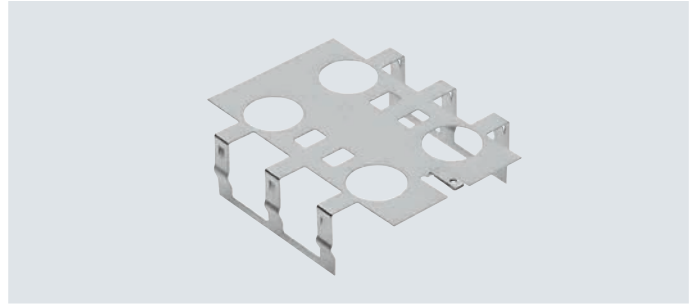


## Data sheet

## Screening plate CPX-AB-S

Protective devices provide the valve terminals with protection against environmental influences



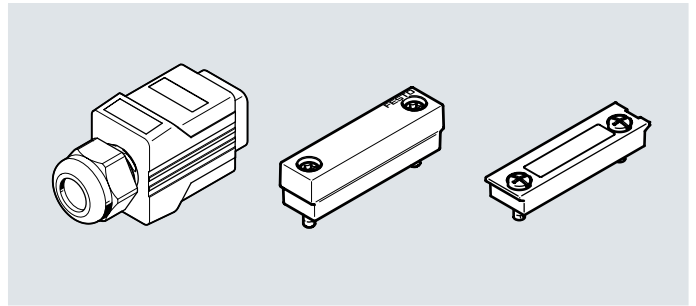
## Ordering data

Function	Weight [g]	Material	Dimensions [mm]	Part no.	Type
Screening plate, is placed on a CPX module and screens it electromagnetically.	20	Tin-plated bronze	59.9x50.5x16 (LxWxH)	<b>526184</b>	<b>CPX-AB-S-4-M12</b>

## Data sheet

### Cover CPX-...-AK

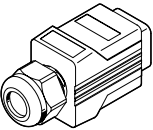
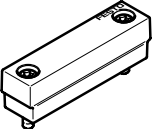
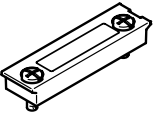
Protective devices provide the valve terminals with protection against environmental influences



General technical data		CPX-M-AK-C	CPX-M-AK-M	CPX-AK-P
Type				
Width	[mm]	30	12	–
Height	[mm]	58	13	–
Length	[mm]	22	49	–
Degree of protection to EN 60529		IP65, IP67 (assembled)		
Product weight	[g]	54	15	4

Materials		CPX-M-AK-C	CPX-M-AK-M	CPX-AK-P
Type				
Housing		Nickel-plated die-cast zinc	Die-cast aluminium	PA
Screws		–	Galvanised steel	Galvanised steel
Seal		NBR		
Note on materials		RoHS-compliant		

Operating and environmental conditions		CPX-M-AK-C	CPX-M-AK-M	CPX-AK-P
Type				
Ambient temperature	[°C]	–5 ... +50		
Storage temperature	[°C]	–40 ... +70	–	–
Relative humidity	[%]	5 ... 90, non-condensing		
Certification		UL94 V0	–	–

Ordering data		Part no.	Type
	Cover cap for Rj45 push-pull connection, for fieldbus node of electrical terminal CPX with Rj45 connection	548753	CPX-M-AK-C
	Cover for DIL switch and memory card, for fieldbus node of electrical terminal CPX in metal design with memory card	548754	CPX-M-AK-M
	Transparent cover for DIL switch and memory card, for fieldbus node of electrical terminal CPX in polymer design with memory card	548757	CPX-AK-P

# Festo - Your Partner in Automation



**1 Festo Inc.**  
5300 Explorer Drive  
Mississauga, ON L4W 5G4  
Canada

**Festo Customer Interaction Center**  
Tel: 1 877 463 3786  
Fax: 1 877 393 3786  
Email: [customer.service.ca@festo.com](mailto:customer.service.ca@festo.com)



**2 Festo Pneumatic**  
Av. Ceylán 3,  
Col. Tequesquináhuac  
54020 Tlalnepantla,  
Estado de México

**Multinational Contact Center**  
01 800 337 8669  
[ventas.mexico@festo.com](mailto:ventas.mexico@festo.com)



**3 Festo Corporation**  
1377 Motor Parkway  
Suite 310  
Islandia, NY 11749

**Festo Customer Interaction Center**  
1 800 993 3786  
1 800 963 3786  
[customer.service.us@festo.com](mailto:customer.service.us@festo.com)



**4 Regional Service Center**  
7777 Columbia Road  
Mason, OH 45040

Connect with us



[www.festo.com/socialmedia](http://www.festo.com/socialmedia)



[www.festo.com](http://www.festo.com)

Subject to change