

Cylinder signal generator PPL

FESTO



Characteristics

At a glance

- For contactless pneumatic signal generation at the end of cylinder strokes
- Function: 3/2-way valve, normally open
- Can be screwed directly into the supply port of the cylinder using a hollow bolt

Note

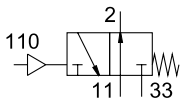
The cylinder signal transmitter must not be used for position reporting.

Datasheet

General technical data

| Type | PPL-1/8 | PPL-1/4 |
|----------------------------|---------------------------------------|------------------------------|
| Type of mounting | Hollow bolt G1/8 | Hollow bolt G1/4 |
| Nominal width | 5 mm | 6,5 mm |
| Tightening torque | max. 4 Nm | max. 8 Nm |
| Switch time | On: 11 ms Off: 26 ms | On: 5 ±5 ms Off: 15 ±5 ms |
| Connection | Barbed fitting for plastic tubing NW3 | |
| Standard nominal flow rate | 48 l/min | |

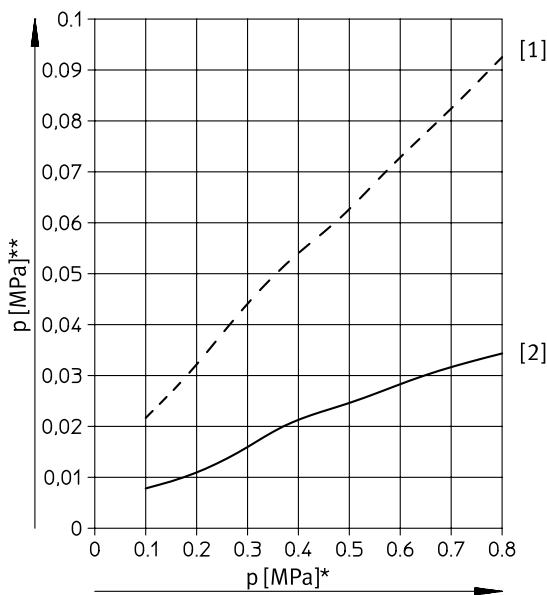
Function



Operating and environmental conditions

| | |
|----------------------------------|---|
| Operating medium | Compressed air to ISO 8573-1:2010 [7:4:4] |
| Note on operating/control medium | Lubricated operation possible |
| Operating pressure range | 0,1 ... 0,8 MPa |
| Control pressure | max. 0,8 MPa (→ Diagram) |
| Temperature range | -10 ... 60 °C |

Minimum control pressure as a function of operating pressure



- [1] Control pressure on
- [2] Control pressure off
- * Operating pressure
- ** Control pressure

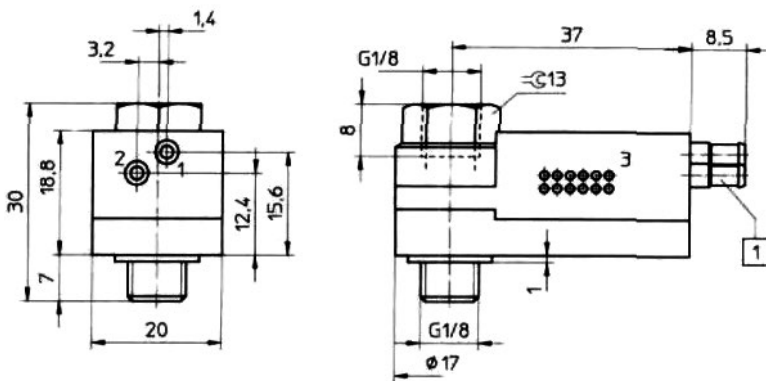
Materials

| | |
|------------------------|----------------|
| Housing material | Plastics |
| Cover material | Plastics |
| Insertsmaterial | Plastics |
| Hollow bolt material | Aluminium |
| Sealing material | NBR |
| Note on materials | RoHS-compliant |
| LABS (PWIS) conformity | VDMA24364-B2-L |

Dimensions

Dimensions PPL-1/8

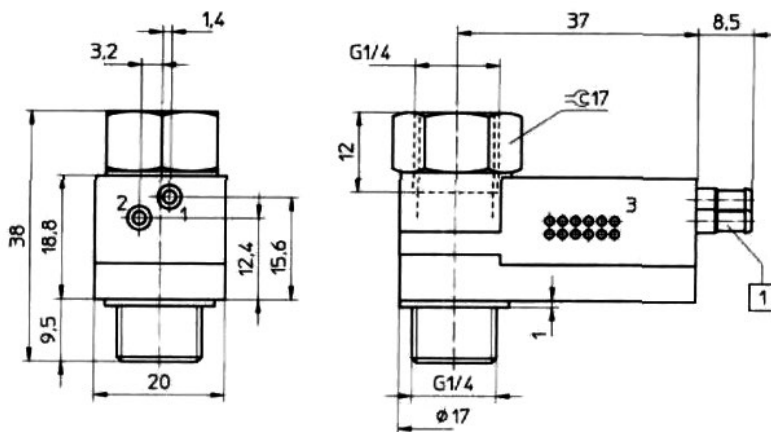
Download CAD data → www.festo.com



[1] Barbed fitting for plastic tubing NW3


Dimensions PPL-1/4

Download CAD data → www.festo.com



[1] Barbed fitting for plastic tubing NW3

Ordering data

| Ordering data | Pneumatic connection | Weight | Part no. | Type |
|---|----------------------|--------|--------------|----------------|
|  | G 1/8 | 24 g | 13364 | PPL-1/8 |
| | G 1/4 | 28 g | 13363 | PPL-1/4 |