

Connecting cables for valves, round plug connectors

Product range overview

Function	Version	Type code	Connection technology (Electrical connection 2)	Cable property	Length	→ Page/ Internet
Electrical connection 1: socket	M8x1					
	4-pin	NEBV-M8W4L	Plug M8x1, 3-pin Open cable end	Suitable for energy chains	2.5 m 5 m 10 m	4
	M12x1					
	8-pin	NEBV-M12G8	Plug M12x1, 4-pin	Standard	2 m 5 m	7
	M16					
	8-pin	KMPPE	Open cable end	Standard	2.5 m 5 m	10

Connecting cables for valves, round plug connectors

Type codes

NEBV		-					-		-					
Function														
NEBV	Connecting cable for valves													
Connection technology on the left (field device side)														
M8	Socket M8x1													
M12	Socket M12x1													
Cable outlet on the left														
G	Straight													
W	Angled													
Number of pins/wires on the left														
4	4-pin													
8	8-pin													
Additional functions														
-	None													
L	Switching status indication, yellow LED													
Cable property														
E	Suitable for energy chains													
K	Standard													
Cable length														
2.5	2.5 m													
5	5 m													
10	10 m													
Connection technology on the right (controller side)														
LE	Open end													
M8	Open end													
M12	Open end													
Cable outlet on the right														
-	Open end													
G	Straight													
Number of pins/wires on the right														
2	2-pin													
3	3-pin													
4	4-pin													

Connecting cables for valves, round plug connectors

Type code

	K	MPPE	-	B	-	
Function						
K	Connecting cable					
Usage						
MPPE	For proportional-pressure regulators MPPES					
Generation						
B	Second generation					
Cable length						
2.5	2.5 m					
5	5 m					

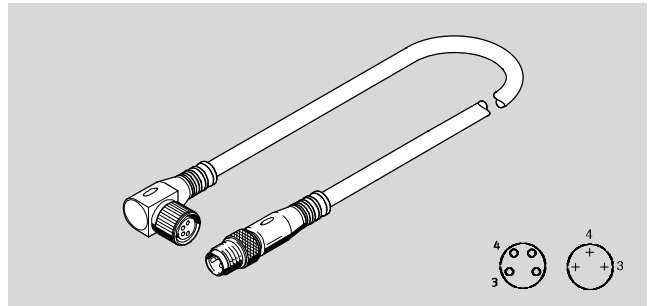
Connecting cables for valves, M8x1

Technical data



Connecting cable NEBV-M8W4L

- Connecting cable for valves CPE10 and CPE14
- Pre-assembled at one or both ends
- Cable lengths 2.5 m, 5 m or 10 m
- 2 wires
- M8x1 socket, 4-pin



General technical data	
Conforms to standard	EN 61076-2-101 ISO 20401
Switching status indication	Yellow LED

Technical data – Electrical connection 1	
Connection type	Socket
Design	Round
Cable outlet	Angled
Connection technology	M8x1
Number of pins/wires	4

Technical data – Electrical connection 2		
Type code	NEBV-...-LE2	NEBV-...-M8G3
Connection type	Cable	Cable
Design	–	Plug
Cable outlet	–	Straight
Connection technology	Open end	Open end
Number of pins/wires	2	3
Wire ends	Wire end sleeve	–

Technical data – Electrical		
Operating voltage range	[V DC]	20.4 ... 26.4
Current rating at 40 °C	[A]	3

Technical data – Cable		
Cable diameter	[mm]	3.3
Cable property		Suitable for energy chains
Minimum cable bending radius	[mm]	35
Cable design	[mm ²]	2x0.25

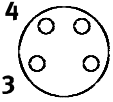
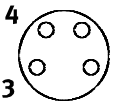
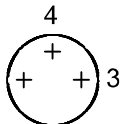
Materials	
Housing	TPE-U(PU)
Pin contacts	Brass, gold-plated
Cable sheath	TPE-U(PUR)
Insulating sheath	PVC
Note on materials	RoHS-compliant

Connecting cables for valves, M8x1

Technical data

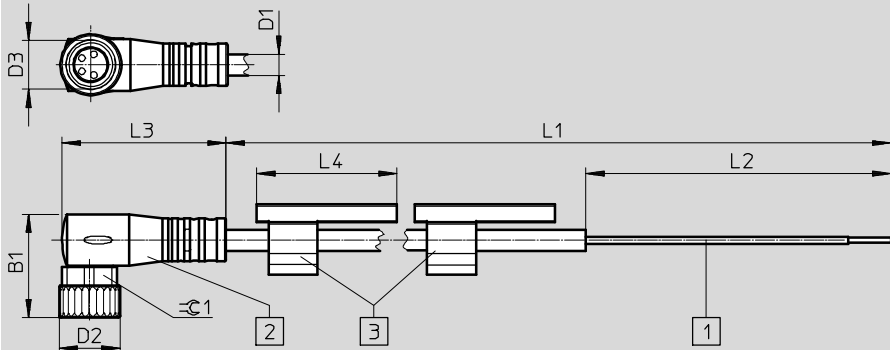
Operating and environmental conditions	
Ambient temperature [°C]	-10 ... +50
Corrosion resistance class CRC ¹⁾	2
Degree of protection	IP65
	IP67

1) Corrosion resistance class CRC 2 to Festo standard FN 940070
 Moderate corrosion stress. Indoor applications in which condensation may occur. External visible parts with primarily decorative requirements for the surface and which are in direct contact with the ambient atmosphere typical for industrial applications.

Circuitry (view of socket/plug connector)				
Electrical connection 1	Pin	Wire colour ¹⁾	Pin	Electrical connection 2
NEBV-...-LE2				
	1	-	-	-
	2	-	-	
	3	BK	-	
	4	BK	-	
NEBV-...-M8G3				
	1	-	1	
	2	-	-	
	3	BN	3	
	4	BU	4	

1) According to IEC 757

Dimensions Download CAD data → www.festo.com



- 1 Open cable end, 2-wire
- 2 Angled socket, 4-pin, transparent housing, with LED
- 3 Inscription label holder

	B1	D1	D2	D3	D4	D5	L1	L2	L3	L4	≙1	≙2
NEBV-M8W4L-E-2.5-LE2	17	3.4	10	M8x1	-	-	2500	50	26.9	23	9	-
NEBV-M8W4L-E-5-LE2							5000					
NEBV-M8W4L-E-10-LE2							10000					

Connecting cables for valves, M8x1

Technical data

Dimensions Download CAD data → www.festo.com

Legend:

- 2 Angled socket, 4-pin, transparent housing, with LED
- 3 Inscription label holder
- 4 Straight plug, 3-pin

	B1	D1	D2	D3	D4	D5	L1	L2	L3	L4	⌀C1	⌀C2
NEBV-M8W4L-E-2.5-M8G3	17	3.3	10	M8x1	M8x1	10	2500	41.1	26.9	23	9	9
NEBV-M8W4L-E-5-M8G3							5000					
NEBV-M8W4L-E-10-M8G3							10000					

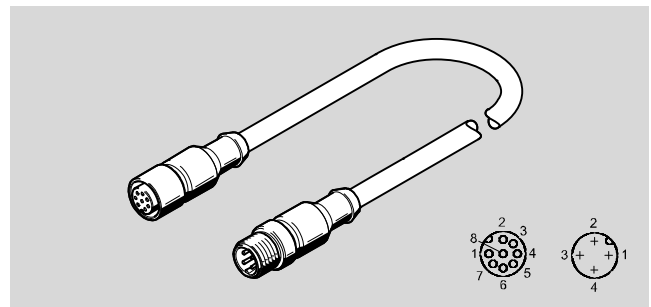
Ordering data		Cable length [m]	Weight [g]	Part no.	Type
Electrical connection	Connection 2				
M8x1 socket, 4-pin	Open end, 2-wire	2.5	45	562471	NEBV-M8W4L-E-2.5-LE2
		5	85	562472	NEBV-M8W4L-E-5-LE2
		10	165	562473	NEBV-M8W4L-E-10-LE2
	Plug M8x1, 3-pin	2.5	50	562468	NEBV-M8W4L-E-2.5-M8G3
		5	90	562469	NEBV-M8W4L-E-5-M8G3
		10	170	562470	NEBV-M8W4L-E-10-M8G3

Connecting cables for valves, M12x1, 8-pin

Technical data

Connecting cable NEBV-M12G8

- Connecting cable for connecting the proportional pressure regulating valve VPPM to the analogue output modules of the terminal CPX
- Pre-assembled at both ends
- Cable lengths 2 m or 5 m
- 4 wires
- M12x1 socket, 8-pin



General technical data	
Conforms to standard	EN 61076-2-101
Cable designation	Without label holder

Technical data – Electrical connection 1	
Function	Field device side
Connection type	Socket
Cable outlet	Straight
Design	Round
Connection technology	M12x1, A-coded according to EN 61076-2-101
Number of pins/wires	8
Assigned pins/wires	4
Type of mounting	Screw-type lock

Technical data – Electrical connection 2	
Function	Controller side
Connection type	Plug connector
Cable outlet	Straight
Design	Round
Connection technology	M12x1, A-coded according to EN 61076-2-101
Number of pins/wires	4
Assigned pins/wires	4
Type of mounting	Screw-type lock

Technical data – Electrical		
Operating voltage range	[V DC]	0 ... 30
	[V AC]	0 ... 30
Current rating at 40 °C	[A]	2
Surge voltage resistance	[kV]	0.8
Contamination level		3

Technical data – Cable		
Cable diameter	[mm]	5.6
Cable diameter tolerance	[mm]	±0.2
Cable property		Standard
Bending radius, fixed cable installation	[mm]	≥29
Bending radius, flexible cable installation	[mm]	≥58
Cable design	[mm ²]	4x0.34
		Shielded
Nominal conductor cross section	[mm ²]	0.34

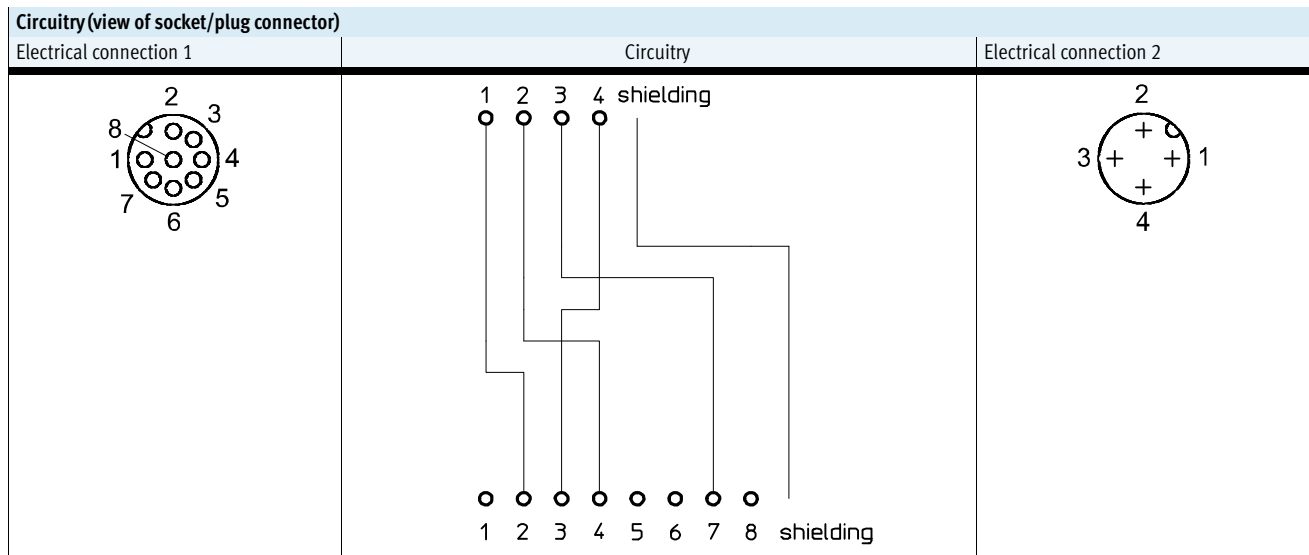
Connecting cables for valves, M12x1, 8-pin

Technical data

Materials	
Housing	TPE-U(PUR)
Housing colour	Black
Screw-type lock	Brass, nickel-plated
Seals	NBR
Pin contacts	Brass, gold-plated
Cable sheath	TPE-U(PUR)
Cable sheath colour	Grey
Insulating sheath	PP
Note on materials	RoHS-compliant
	Halogen-free

Operating and environmental conditions		
Ambient temperature	[°C]	-25 ... +85
Ambient temperature with flexible cable installation	[°C]	-5 ... +80
Corrosion resistance class CRC ¹⁾		2
Degree of protection		IP67
Note on degree of protection		In assembled state

1) Corrosion resistance class CRC 2 to Festo standard FN 940070
 Moderate corrosion stress. Indoor applications in which condensation may occur. External visible parts with primarily decorative requirements for the surface and which are in direct contact with the ambient atmosphere typical for industrial applications.

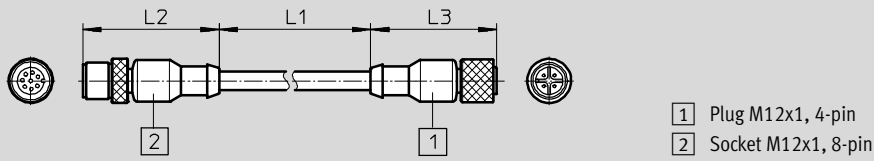


Connecting cables for valves, M12x1, 8-pin

Technical data

Dimensions

Download CAD data → www.festo.com

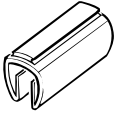


Type code	L1	L2	L3
NEBV-M12G8-K-2-M12G4	2000	44.9	41.7
NEBV-M12G8-K-5-M12G4	5000	44.9	41.7

Ordering data

Electrical connection		Cable length [m]	Part no.	Type
Connection 1	Connection 2			
M12x1 socket, 8-pin	Plug M12x1, 4-pin	2	553575	NEBV-M12G8-K-2-M12G4
		5	553576	NEBV-M12G8-K-5-M12G4

Ordering data – Accessories

		Part no.	Type code
	Inscription labels for attachment to a cable with diameter 5 ... 8 mm		

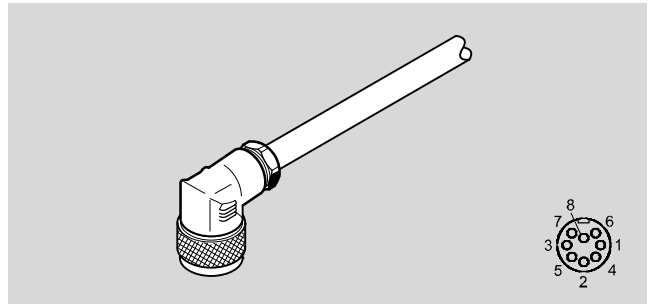
Connecting cables for valves, M16x0.75

Technical data

FESTO

Connecting cable KMPPE

- Connecting cable for proportional pressure regulating valves MPPES
- Pre-assembled at one ends
- Angled socket
- Cable lengths 2.5 m, 5 m
- 8 wires
- M16x0.75 socket, 8-pin



General technical data	
Conforms to	DIN 47100
Cable designation	With accessories
Contact durability	500

Technical data – Electrical connection 1	
Function	Field device side
Connection type	Socket
Cable outlet	Angled
Design type	Round
Connection technology	M16x0.75 according to EN 61076-2-106
Number of pins/wires	8
Assigned pins/wires	8
Type of mounting	Screw-type lock

Technical data – Electrical connection 2	
Function	Controller side
Connection type	Cable
Connection technology	Open end
Number of pins/wires	8
Assigned pins/wires	8
Wire ends	Cut off bluntly

Technical data – Electrical		
Operating voltage range	[V DC]	0 ... 30
Current rating at 40 °C	[A]	5
Surge voltage resistance	[kV]	0.6
Contamination level		1

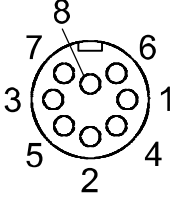
Technical data – Cable		
Cable diameter	[mm]	6.8
Cable property		Standard
Cable test conditions		Test conditions on request
Cable design	[mm ²]	4x0.25
		Shielded
Nominal conductor cross section	[mm ²]	0.25

Connecting cables for valves, M16x0.75

Technical data

Materials	
Housing	PA
Screw-type lock	PA
Cable sheath	PVC
Cable sheath colour	Grey
Note on materials	RoHS-compliant

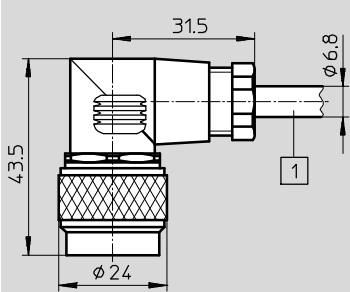
Operating and environmental conditions	
Ambient temperature [°C]	-30 ... +80
Ambient temperature with flexible cable installation [°C]	-5 ... +70
Degree of protection	IP67
Note on degree of protection	In assembled state

Circuitry (view of socket/plug connector)				
Electrical connection 1	Pin	Wire colour ¹⁾	Pin	Electrical connection 2
	1	WH	-	-
	2	BN	-	
	3	GN	-	
	4	YE	-	
	5	GY	-	
	6	PK	-	
	7	RD	-	
	8	BU	-	
	n.c.	Shield	-	

1) According to IEC 757

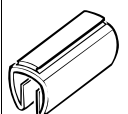
Dimensions

Download CAD data → www.festo.com



1) Cable, length 2.5 m or 5 m depending on the order

Ordering data					
Electrical connection		Cable length [m]	Weight [g]	Part no.	Type
Connection 1	Connection 2				
M16x0.75 socket, 8-pin	Open end, 8-wire	2.5	243	161879	KMPPE-B-2,5
		5	459	161878	KMPPE-B-5

Ordering data – Accessories				
			Part no.	Type
	Inscription labels for attachment to a cable with diameter 5 ... 8 mm	11x20 mm	33361	KM-BZ