



Standard Filter LF – Basic Version

Standard Filter, Type LF - Basic Version

1/8" - 1" NPT

Standard Filter
with Metal Bowl Guard
with manual bowl drain
Type LF-...-D-...-NPT



with integrated, automatic bowl drain
Type LF-...-D-...-A-NPT



The sintered filter equipped with water separator cleans the compressed air of impurities, rust, pipe deposits and condensation.

For special applications, the standard 40 micron cartridge can easily be replaced by a 5 micron filter cartridge.

Accessories:

Mounting brackets, Type HFOE-...

Replacement filter cartridge, Type LFP-...-40M

5 micron filter cartridge, Type LFP-...-5M

Threaded bolt set, Type FRB-...used to combine a D-Series single unit with a Filter.



Filters can be ordered with either 40 micron or 5 micron filter cartridge.

Order Number Part No. / Type Filtration 40 Micron	Filter Manual Bowl Drain	173676 LF-1/8-D- MINI-NPT	173680 LF-1/4-D- MINI-NPT	173684 LF-3/8-D- MINI-NPT	173688 LF-3/8-D- MIDI-NPT	173692 LF-1/2-D- MIDI-NPT	173696 LF-3/4-D- MIDI-NPT	173700 LF-3/4-D- MAXI-NPT	173704 LF-1-D- MAXI-NPT	
	Filter Automatic Bowl Drain	173677 LF-1/8-D- MINI-A-NPT	173681 LF-1/4-D- MINI-A-NPT	173685 LF-3/8-D- MINI-A-NPT	173689 LF-3/8-D- MIDI-A-NPT	173693 LF-1/2-D- MIDI-A-NPT	173697 LF-3/4-D- MIDI-A-NPT	173701 LF-3/4-D- MAXI-A-NPT	173705 LF-1-D- MAXI-A-NPT	
Filtration 5 Micron	Filter Manual Bowl Drain	173678 LF-1/8-D-5M- MINI-NPT	173682 LF-1/4-D-5M- MINI-NPT	173686 LF-3/8-D-5M- MINI-NPT	173690 LF-3/8-D-5M- MIDI-NPT	163694 LF-1/2-D-5M- MIDI-NPT	173698 LF-3/4-D-5M- MIDI-NPT	173702 LF-3/4-D-5M- MAXI-NPT	173706 LF-1-D-5M- MAXI-NPT	
	Filter Automatic Bowl Drain	173679 LF-1/8-D-5M- MINI-A-NPT	173683 LF-1/4-D-5M- MINI-A-NPT	173687 LF-3/8-D-5M- MINI-A-NPT	173691 LF-3/8-D-5M- MIDI-A-NPT	173695 LF-1/2-D-5M- MIDI-A-NPT	173699 LF-3/4-D-5M- MIDI-A-NPT	173703 LF-3/4-D-5M- MAXI-A-NPT	173707 LF-1-D-5M- MAXI-A-NPT	
	Mounting Brackets	159638 HFOE-D-MINI			159593 HFOE-D-MIDI/MAXI					
	Filter Cartridge (5 micron)	159640 LFP-D-MINI-5M			159594 LFP-D-MIDI-5M			159641 LFP-D-MAXI-5M		
	Threaded Bolt Set	159642 FRB-D-MINI			159595 FRB-D-MIDI			159643 FRB-D-MAXI		
Medium		Compressed air								
Design		Sintered filter with water separator								
Mounting		In line assembly or mounting brackets								
Assembly Position		Vertical ± 5°								
Connection		1/8" NPT	1/4" NPT	3/8" NPT	3/8" NPT	1/2" NPT	3/4" NPT	3/4" NPT	1" NPT	
Nominal Flow*	LF-...-D-...	35 scfm / 1000 l/min	42 scfm / 1200 l/min	49 scfm / 1400 l/min	95 scfm / 2700 l/min	106 scfm / 3000 l/min	106 scfm / 3000 l/min	177 scfm / 5000 l/min	187 scfm / 5300 l/min	
	LFR-...-D-5M-...	28 scfm / 800 l/min	34 scfm / 950 l/min	39 scfm / 1100 l/min	64 scfm / 1800 l/min	71 scfm / 2000 l/min	71 scfm / 2000 l/min	127 scfm / 3600 l/min	134 scfm / 3800 l/min	
Max. Pressure Range	Manual Bowl Drain	15 to 240 psi / 1 to 16 bar								
	Automatic Bowl Drain**	22 to 180 psi / 1.5 to 12 bar								
Filter Pore Size		Standard: 40 micron; cartridge Type LFP: average pore size: 5 micron								
Max. Bowl Capacity		13 cu in / 22 ml			26 cu in / 43 ml			49 cu in / 80 ml		
Temperature Range		14 to 140°F / -10 to +60°C								
Materials		Housing: GD-Zn; Filter bowl: Polycarbonate; Metal bowl guard: Al; Seals: Buna N; Adjustment knob: PA 6								
Weight		0.705 lb / 0.320 kg			1.543 lb / 0.700 kg			2.954 lb / 1.340 kg		3.175 lb / 1.440 kg

* At upstream pressure 150 psi / 10 bar, operating pressure 90 psi / 6 bar, and Δ p = 15 psi / 1 bar. With 5 micro filter cartridge, flow is approx. 20% less.

** A minimum flow of 4 scfm / 125 l/min is required for the proper result.

Delivery: Short lead time

Standard Filter, Type LF - Basic Version

G $\frac{1}{8}$ – G1 ISO

Standard Filter

with Metal Bowl Guard
with manual bowl drain
Type LF-...-D-...



with integrated, automatic bowl drain
Type LF-...-D-...-A



The sintered filter equipped with water separator cleans the compressed air of impurities, rust, pipe deposits and condensation.

For special applications, the standard 40 micron cartridge can easily be replaced by a 5 micron filter cartridge.

Accessories:

Mounting brackets, Type HFOE-...

Replacement filter cartridge, Type LFP-...40M

5 micron filter cartridge, Type LFP-...5M

Threaded bolt set, Type FRB-...used to combine a D-Series single unit with a Filter.



Filters can be ordered with either 40 micron or 5 micron filter cartridge.

Order Number Part No. / Type Filtration 40 Micron	Filter Manual Bowl Drain	159612 LF-1/8-D- MINI	159613 LF-1/4-D- MINI	162606 LF-3/8-D- MINI	159576 LF-3/8-D- MIDI	159578 LF-1/2-D- MIDI	162607 LF-3/4-D- MIDI	159614 LF-3/4-D- MAXI	159615 LF-1-D- MAXI	
	Filter Automatic Bowl Drain	159616 LF-1/8-D- MINI-A	159617 LF-1/4-D- MINI-A	162608 LF-3/8-D- MINI-A	159577 LF-3/8-D- MIDI-A	159579 LF-1/2-D- MIDI-A	162609 LF-3/4-D- MIDI-A	159618 LF-3/4-D- MAXI-A	159619 LF-1-D- MAXI-A	
Filtration 5 Micron	Filter Manual Bowl Drain	162610 LF-1/8-D-5M- MINI	162611 LF-1/4-D-5M- MINI	162612 LF-3/8-D-5M- MINI	162613 LF-3/8-D-5M- MIDI	162614 LF-1/2-D-5M- MIDI	162615 LF-3/4-D-5M- MIDI	162616 LF-3/4-D-5M- MAXI	162617 LF-1-D-5M- MAXI	
	Filter Automatic Bowl Drain	162618 LF-1/8-D-5M- MINI-A	162619 LF-1/4-D-5M- MINI-A	162620 LF-3/8-D-5M- MINI-A	162621 LF-3/8-D-5M- MIDI-A	162622 LF-1/2-D-5M- MIDI-A	162623 LF-3/4-D-5M- MIDI-A	162624 LF-3/4-D-5M- MAXI-A	162625 LF-1-D-5M- MAXI-A	
	Mounting Brackets	159638 HFOE-D-MINI				159593 HFOE-D-MIDI/MAXI				
	Filter Cartridge (5 micron)	159640 LFP-D-MINI-5M			159594 LFP-D-MIDI-5M			159641 LFP-D-MAXI-5M		
	Threaded Bolt Set	159642 FRB-D-MINI			159595 FRB-D-MIDI			159643 FRB-D-MAXI		
Medium		Compressed air								
Design		Sintered filter with water separator								
Mounting		In line assembly or mounting brackets								
Assembly Position		Vertical $\pm 5^\circ$								
Connection		G 1/8 ISO	G 1/4 ISO	G 3/8 ISO	G 3/8 ISO	G 1/2 ISO	G 3/4 ISO	G 3/4 ISO	G 1 ISO	
Nominal Flow*	LF-...-D-...	35 scfm / 1000 l/min	42 scfm / 1200 l/min	49 scfm / 1400 l/min	95 scfm / 2700 l/min	106 scfm / 3000 l/min	106 scfm / 3000 l/min	177 scfm / 5000 l/min	187 scfm / 5300 l/min	
	LFR-...-D-5M-...	28 scfm / 800 l/min	34 scfm / 950 l/min	39 scfm / 1100 l/min	64 scfm / 1800 l/min	71 scfm / 2000 l/min	71 scfm / 2000 l/min	127 scfm / 3600 l/min	134 scfm / 3800 l/min	
Max. Pressure Range	Manual Bowl Drain	15 to 240 psi / 1 to 16 bar								
	Automatic Bowl Drain**	22 to 180 psi / 1.5 to 12 bar								
Filter Pore Size		Standard: 40 micron; cartridge Type LFP: average pore size: 5 micron								
Max. Bowl Capacity		13 cu in / 22 ml			26 cu in / 43 ml			49 cu in / 80 ml		
Temperature Range		14 to 140°F / -10 to +60°C								
Materials		Housing: GD-Zn; Filter bowl: Polycarbonate; Metal bowl guard: Al; Seals: Buna N; Adjustment knob: PA 6								
Weight		0.705 lb / 0.320 kg			1.543 lb / 0.700 kg			2.954 lb / 1.340 kg		3.175 lb / 1.440 kg
		Delivery: Short lead time								

* At upstream pressure 150 psi / 10 bar, operating pressure 90 psi / 6 bar, and $\Delta p = 15$ psi / 1 bar. With 5 micro filter cartridge, flow is approx. 20% less.

** A minimum flow of 4 scfm / 125 l/min is required for the proper result.

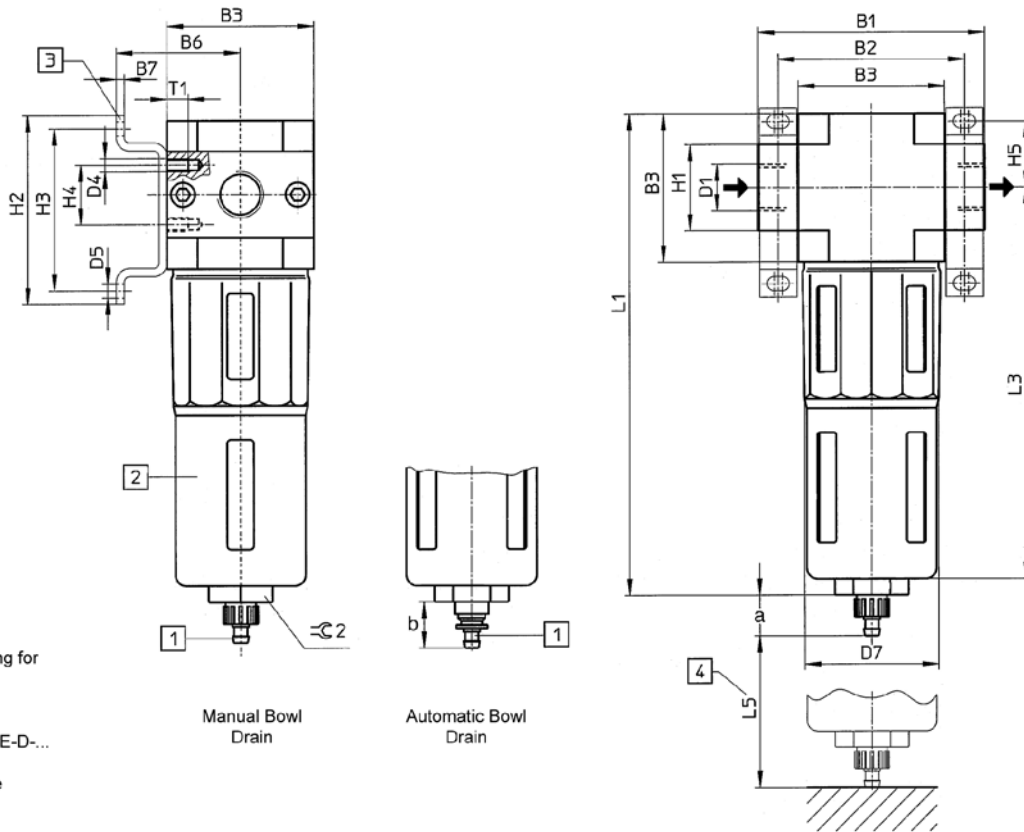
Metric

Inch

Standard Filter, Type LF - Basic Version

Dimensions

Type LF-...-D-...



Dimensions

- a 0.59 in / 15 mm
- b 0.67 in / 17 mm

- 1 Drain connection: barbed fitting for 4 mm ID clear plastic tubing (Order number 7134 PCN-4)
 - 2 Metal bowl guard
 - 3 Mounting brackets Type HFOE-D-... (order separately)
 - 4 Clearance required to remove bowl for servicing
- Flow direction

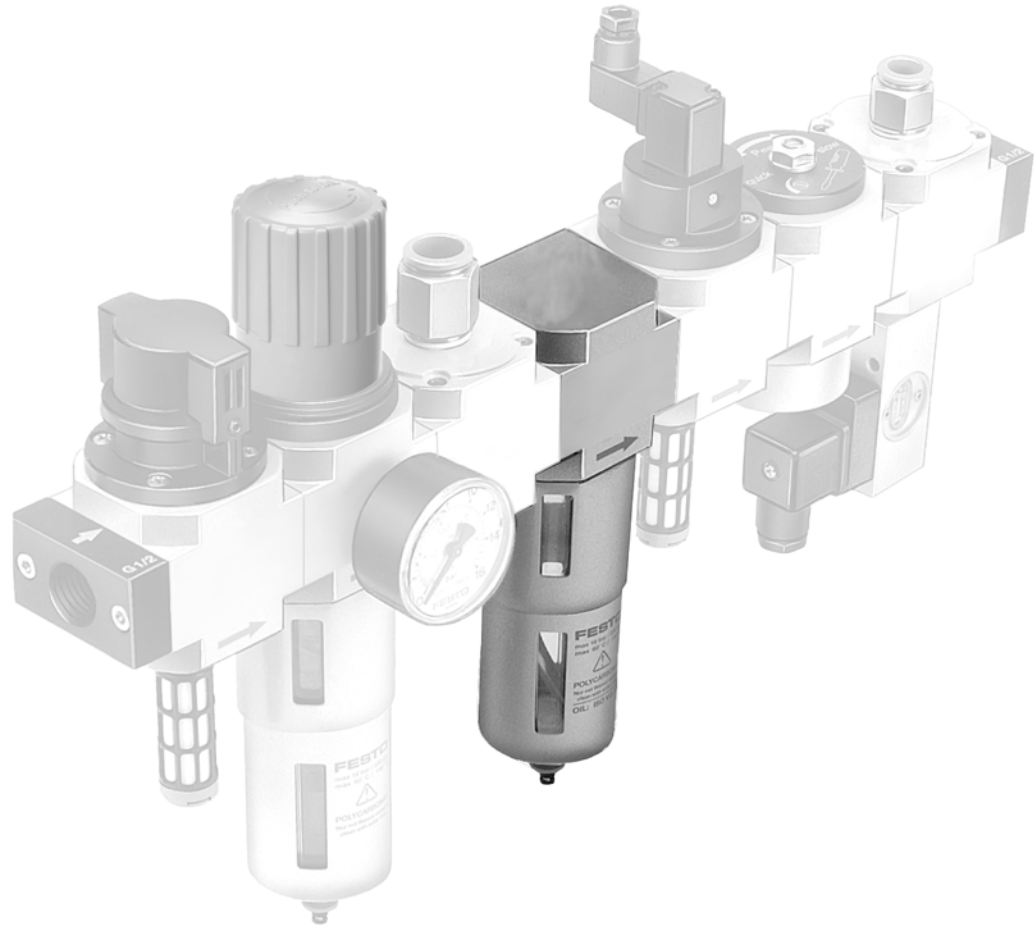
Type	B1	B2	B3	B6	B7	D1	D4	D5	D7	H1
Inch and Metric Series	in / mm	in / mm	in / mm	in / mm	in / mm	Thread	Thread	in / mm	in / mm	in / mm
LF-1/8-D-MINI-...	2.52 / 64	2.05 / 52	1.57 / 40	1.54 / 39	0.08 / 2	1/8 NPT / G 1/8 ISO	M4	0.17 / 4.3	1.50 / 38	0.79 / 20
LF-1/4-D-MINI-...	2.52 / 64	2.05 / 52	1.57 / 40	1.54 / 39	0.08 / 2	1/4 NPT / G 1/4 ISO	M4	0.17 / 4.3	1.50 / 38	0.79 / 20
LF-3/8-D-MINI-...	2.76 / 70	2.05 / 52	1.57 / 40	1.54 / 39	0.08 / 2	3/8 NPT / G 3/8 ISO	M4	0.17 / 4.3	1.50 / 38	0.79 / 20
LF-3/8-D-MIDI-...	3.35 / 85	2.76 / 70	2.17 / 55	1.85 / 47	0.12 / 3	3/8 NPT / G 3/8 ISO	M5	0.21 / 5.3	2.05 / 52	1.26 / 32
LF-1/2-D-MIDI-...	3.35 / 85	2.76 / 70	2.17 / 55	1.85 / 47	0.12 / 3	1/2 NPT / G 1/2 ISO	M5	0.21 / 5.3	2.05 / 52	1.26 / 32
LF-3/4-D-MIDI-...	3.35 / 85	2.76 / 70	2.17 / 55	1.85 / 47	0.12 / 3	3/4 NPT / G 3/4 ISO	M5	0.21 / 5.3	2.05 / 52	1.26 / 32
LF-3/4-D-MAXI-...	3.78 / 96	3.15 / 80	2.60 / 66	2.09 / 53	0.12 / 3	3/4 NPT / G 3/4 ISO	M5	0.21 / 5.3	2.56 / 65	1.26 / 32
LF-1-D-MAXI-...	4.57 / 116	3.58 / 91	2.60 / 66	2.09 / 53	0.12 / 3	1 NPT / G 1 ISO	M5	0.21 / 5.3	2.56 / 65	1.57 / 40
Type	H2	H3	H4	H5	L1	L3	L5	T1	∅ 2	
Inch and Metric Series	in / mm	in / mm	in / mm	in / mm	in / mm	in / mm	in / mm	in / mm	in / mm	
LF-1/8-D-MINI-...	1.69 / 43	1.38 / 35	0.43 / 11	0.69 / 17.5	5.67 / 144	4.88 / 124	2.36 / 60	0.28 / 7	22	
LF-1/4-D-MINI-...	1.69 / 43	1.38 / 35	0.43 / 11	0.69 / 17.5	5.67 / 144	4.88 / 124	2.36 / 60	0.28 / 7	22	
LF-3/8-D-MINI-...	1.69 / 43	1.38 / 35	0.43 / 11	0.69 / 17.5	5.67 / 144	4.88 / 124	2.36 / 60	0.28 / 7	22	
LF-3/8-D-MIDI-...	2.76 / 70	2.36 / 60	0.87 / 22	0.96 / 24.5	7.05 / 179	5.94 / 151	3.15 / 80	0.31 / 8	24	
LF-1/2-D-MIDI-...	2.76 / 70	2.36 / 60	0.87 / 22	0.96 / 24.5	7.05 / 179	5.94 / 151	3.15 / 80	0.31 / 8	24	
LF-3/4-D-MIDI-...	2.76 / 70	2.36 / 60	0.87 / 22	0.96 / 24.5	7.05 / 179	5.94 / 151	3.15 / 80	0.31 / 8	24	
LF-3/4-D-MAXI-...	2.76 / 70	2.36 / 60	0.87 / 22	0.96 / 24.5	7.99 / 203	6.69 / 170	3.54 / 90	0.31 / 8	24	
LF-1-D-MAXI-...	2.76 / 70	2.36 / 60	0.87 / 22	0.96 / 24.5	7.99 / 203	6.69 / 170	3.54 / 90	0.31 / 8	24	

Inch

Metric

Standard Filter, Type LF - Basic Version

Application Example



Metric

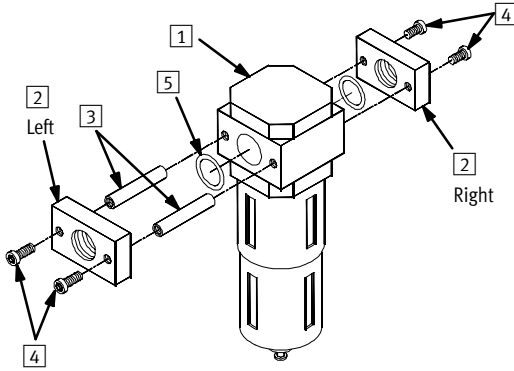
Inch

Ship-From-Stock Component Program

D-Series Service Units Port Sizes 1/8" to 3/8"

Ordering via the Ship-From-Stock Component Program allows for off-the-shelf availability of the components required to assemble a complete air preparation unit.

A complete filter assembly consists of the following items:



Item	Description	Qty Required per Assy
1	Main Unit	1
2	Port Block	2 [one left, one right]
3	Single Unit Joining Rod	2
4	Port Block Screw	4
5	Port Block Seal	2
6	Mounting Bracket Kit [Not shown]	1

Step 1: Based upon the required Port Size, Maximum Flow, Filtration Level, Drain Type, and Thread Type, select the Main Unit [Item 1] and the Left and Right Port Block [Item 2]. Note the Product Type/Description for the next step.

Port size	Max. Flow (l/min/sfcm)	Filtration Level [µm]	Drain	Item		NPT Thread		BSP Thread		Product Type/Description			
				Main Unit	NPT Thread	Left Connection Port Block	Right Connection Port Block	Left Connection Port Block	Right Connection Port Block				
											1	2	
1/8	1000/35.3	40	Man.	122 995	372 030	372 038	380 285	380 287	LF-...-D-MINI-...				
			Auto	122 996									
	800/28.3	Man.	127 300										
		Auto	127 302										
1/4	1200/42.4	40	Man.	122 995	372 031	372 039	380 289	380 291	LF-...-D-MIDI-...				
			Auto	122 996									
			Man.	120 515						-	-	380 902	380 903
			Auto	120 516									
	950/33.5	5	Man.	127 300	372 031	372 039	380 289	380 291	LF-...-D-MINI-...				
			Auto	127 302									
			Man.	127 308						-	-	380 902	380 903
			Auto	127 309									
3/8	1400/49.4	40	Man.	122 995	372 032	372 040	380 293	380 295	LF-...-D-MINI-...				
			Auto	122 996									
			Man.	120 515						372 035	372 043	380 297	380 299
			Auto	120 516									
	2700/95.4	5	Man.	127 300	372 032	372 040	380 293	380 295	LF-...-D-MINI-...				
			Auto	127 302									
			Man.	127 308						372 035	372 043	380 297	380 299
			Auto	127 309									
1800/63.6	5	Man.	127 308	372 035	372 043	380 297	380 299	LF-...-D-MIDI-...					
		Auto	127 309										

☐ Not available

Next...Step 2

Inch

Metric

Filter Selector Guide

D-Series Service Units Port Sizes 1/8" to 3/8"

Step 2: Based upon the Product Type/Description from Step 1, select the Joining Rods [Item **3**], the Port Block Screws [Item **4**], the Port Block Seals [Item **5**], and the Mounting Bracket Kit [Item **6**].

	Item 3	Item 4	Item 5	Item 6 [Not shown]
Product Type/Description	Single Unit Joining Rod	Port Block Screw	Port Block Seal	Mounting Bracket Kit
LF-...-D-MINI-...	359 787	200 664	235 260	159 638
LF-...-D-MIDI-...	369 989	202 824	200 950	159 593

Step3: Determine the appropriate quantity of each Item.

Ordering Example:

Required: 1/4 port size, 1100 l/min flow, 40µm filtration, automatic drain, BSP threads.

	Item	Part No.	Qty	Description
Order:	1	122 996	1	Main Unit
	2	380 289	1	Left Port Block
		380 291	1	Right Port Block
	3	369 787	2	Single Unit Joining Rod
	4	200 664	4	Port Block Screws
	5	235 260	3	Port Block Seals
	6	159 638	1	Mounting Bracket Kit

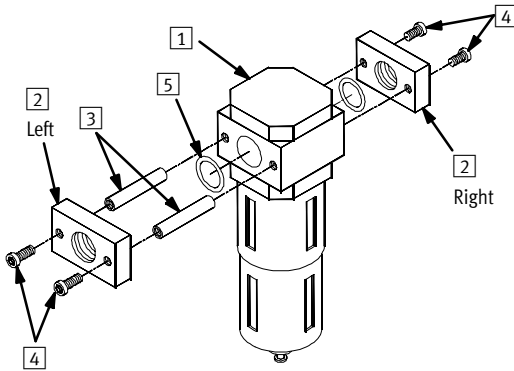
Metric

Inch

Ship-From-Stock Component Program

D-Series Service Units Port Sizes 1/2" to 1"

Ordering via the Ship-From-Stock Component Program allows for off-the-shelf availability of the components required to assemble a complete air preparation unit.



A complete filter assembly consists of the following items:

Item	Description	Qty Required per Assy
1	Main Unit	1
2	Port Block	2 [one left, one right]
3	Single Unit Joining Rod	2
4	Port Block Screw	4
5	Port Block Seal	2
6	Mounting Bracket Kit [Not shown]	1

Step 1: Based upon the required Port Size, Maximum Flow, Filtration Level, Drain Type, and Thread Type, select the Main Unit [Item 1] and the Left and Right Port Block [Item 2]. Note the Product Type/Description for the next step.

Port size	Max. Flow (l/min/sfcm)	Filtration Level [µm]	Drain	Item						Product Type/ Description
				1	2	NPT Thread		BSP Thread		
				Main Unit	NPT Thread	Left Connection Port Block	Right Connection Port Block	Left Connection Port Block	Right Connection Port Block	
1/2	3000/105.9	40	Man.	120 515	372 033	372 041	380 301	380 303	LF-...-D-MIDI-...	
			Auto	120 516						
	4400/155.4		Man.	123 592	-	-	381 529	381 530	LF-...-D-MAXI-...	
			Auto	123 593						
	2000/70.6	5	Man.	127 308	372 033	372 041	380 301	380 303	LF-...-D-MIDI-...	
			Auto	127 309						
3600/127.1		Man.	127 315	-	-	381 529	381 530	LF-...-D-MAXI-...		
		Auto	127 316							
3/4	3000/105.9	40	Man.	120 515	372 034	372 042	380 305	380 307	LF-...-D-MIDI-...	
			Auto	120 516						
	5000/176.6		Man.	123 592	372 036	372 044	380 309	380 311	LF-...-D-MAXI-...	
			Auto	123 593						
	2000/70.6	5	Man.	127 308	372 034	372 042	380 305	380 307	LF-...-D-MIDI-...	
			Auto	127 309						
3700/130.7		Man.	127 315	372 036	372 044	380 309	380 311	LF-...-D-MAXI-...		
		Auto	127 316							
1	5300/187.2	40	Man.	123 592	372 037	372 045	380 313	380 315		
			Auto	123 593						
	3800/134.2	5	Man.	127 315						
			Auto	127 316						

☐ Not available

Next...Step 2

Inch

Metric

Filter Selector Guide

D-Series Service Units Port Sizes 1/2" to 1"

Step 2: Based upon the Product Type/Description from Step 1, select the Joining Rods [Item **3**], the Port Block Screws [Item **4**], the Port Block Seals [Item **5**], and the Mounting Bracket Kit [Item **6**].

	Item 3	Item 4	Item 5	Item 6 [Not shown]
Product Type/Description	Single Unit Joining Rod	Port Block Screw	Port Block Seal	Mounting Bracket Kit
LF-...-D-MIDI-...	369 989	202 824	200 950	159 593
LF-...-D-MAXI-...	373 059		234 380	

Step3: Determine the appropriate quantity of each Item.

Ordering Example:

Required: 3/4 port size, 4000 l/min flow, 40µm filtration, automatic drain, BSP threads.

	Item	Part No.	Qty	Description
Order:	1	123 593	1	Main Unit
	2	380 309	1	Left Port Block
		380 311	1	Right Port Block
	3	373 059	2	Single Unit Joining Rod
	4	200 672	4	Port Block Screws
	5	234 380	3	Port Block Seals
	6	159 593	1	Mounting Bracket Kit

Product Range and Company Overview

A Complete Suite of Automation Services

Our experienced engineers provide complete support at every stage of your development process, including: conceptualization, analysis, engineering, design, assembly, documentation, validation, and production.



Custom Automation Components
Complete custom engineered solutions



Custom Control Cabinets
Comprehensive engineering support and on-site services



Complete Systems
Shipment, stocking and storage services

The Broadest Range of Automation Components

With a comprehensive line of more than 30,000 automation components, Festo is capable of solving the most complex automation requirements.



Electromechanical
Electromechanical actuators, motors, controllers & drives



Pneumatics
Pneumatic linear and rotary actuators, valves, and air supply



PLCs and I/O Devices
PLC's, operator interfaces, sensors and I/O devices

Supporting Advanced Automation... As No One Else Can!

Festo is a leading global manufacturer of pneumatic and electromechanical systems, components and controls for industrial automation, with more than 12,000 employees in 56 national headquarters serving more than 180 countries. For more than 80 years, Festo has continuously elevated the state of manufacturing with innovations and optimized motion control solutions that deliver higher performing, more profitable automated manufacturing and processing equipment. Our dedication to the advancement of automation extends beyond technology to the education and development of current and future automation and robotics designers with simulation tools, teaching programs, and on-site services.

Quality Assurance, ISO 9001 and ISO 14001 Certifications

Festo Corporation is committed to supply all Festo products and services that will meet or exceed our customers' requirements in product quality, delivery, customer service and satisfaction.

To meet this commitment, we strive to ensure a consistent, integrated, and systematic approach to management that will meet or exceed the requirements of the ISO 9001 standard for Quality Management and the ISO 14001 standard for Environmental Management.



© Copyright 2008, Festo Corporation. While every effort is made to ensure that all dimensions and specifications are correct, Festo cannot guarantee that publications are completely free of any error, in particular typing or printing errors. Accordingly, Festo cannot be held responsible for the same. For Liability and Warranty conditions, refer to our "Terms and Conditions of Sale", available from your local Festo office. All rights reserved. No part of this publication may be reproduced, distributed, or transmitted in any form or by any means, electronic, mechanical, photocopying or otherwise, without the prior written permission of Festo. All technical data subject to change according to technical update.



Printed on recycled paper at New Horizon Graphic, Inc., FSC certified as an environmentally friendly printing plant.

Festo North America

United States

Customer Resource Center
502 Earth City Expy., Suite 125
Earth City, MO 63045

For ordering assistance, or to find
your nearest Festo Distributor,

Call: 1.800.99.FESTO

Fax: 1.800.96.FESTO

Email: customer.service@us.festo.com

For technical support,

Call: 1.866.GO.FESTO

Fax: 1.800.96.FESTO

Email: product.support@us.festo.com

Headquarters

Festo Corporation
395 Moreland Road
P.O. Box 18023
Hauppauge, NY 11788
www.festo.com/us

Sales Offices

Appleton

N. 922 Tower View Drive, Suite N
Greenville, WI 54942

Boston

120 Presidential Way, Suite 330
Woburn, MA 01801

Chicago

1441 East Business Center Drive
Mt. Prospect, IL 60056

Dallas

1825 Lakeway Drive, Suite 600
Lewisville, TX 75057

Detroit - Automotive Engineering Center

2601 Cambridge Court, Suite 320
Auburn Hills, MI 48326

New York

395 Moreland Road
Hauppauge, NY 11788

Silicon Valley

4935 Southfront Road, Suite F
Livermore, CA 94550

Design and Manufacturing Operations



East: 395 Moreland Road, Hauppauge, NY 11788



Central: 1441 East Business Center Drive, Mt. Prospect, IL 60056



West: 4935 Southfront Road, Suite F, Livermore, CA 94550

Mexico

Headquarters

Festo Pneumatic, S.A.
Av. Ceylán 3, Col. Tequesquahuac
54020 Tlalnepantla, Edo. de México
Call: 011 52 [55] 53 21 66 00
Fax: 011 52 [55] 53 21 66 65
Email: festo.mexico@mx.festo.com
www.festo.com/mx



Canada

Headquarters

Festo Inc.
5300 Explorer Drive
Mississauga, Ontario L4W 5G4
Call: 1.905.624.9000
Fax: 1.905.624.9001
Email: info.ca@ca.festo.com
www.festo.com/ca



Festo Worldwide

Argentina Australia Austria Belarus Belgium Brazil Bulgaria Canada Chile China Colombia Croatia Czech Republic Denmark
Estonia Finland France Germany Great Britain Greece Hong Kong Hungary India Indonesia Iran Ireland Israel Italy Japan
Latvia Lithuania Malaysia Mexico Netherlands New Zealand Norway Peru Philippines Poland Romania Russia Serbia Singapore
Slovakia Slovenia South Africa South Korea Spain Sweden Switzerland Taiwan Thailand Turkey Ukraine United States Venezuela

www.festo.com