

## Datasheet

### Function:

The electrical adding counter CCES and a proximity switch can be used to count the switching cycles of a cylinder.

Recommended proximity switches

SME, SMT → 2

### Key features:

- 8-digit LCD display
- Own power supply
- Designed for front panel mounting
- Connection via terminal strip
- Reset button



### General technical data

Design	Electrical adding counter with battery
Type of mounting	Front panel mounting
Power supply	Lithium battery
Display	8-digit
Reset method	Manual button or electrical signal
Min. pulse length for drive	[ms] 15
Min. pulse length for reset	[ms] 15
Product weight	[g] 30

### Electrical data

Lower threshold value	[V DC]	< 0.7
Upper threshold value	[V DC]	5 ... 30
Clock pulse input		Programmable
Clock pulse input setting		Falling edge 30 Hz
Max. counting rate	[kHz]	7.5
Max. attenuated counting rate	[Hz]	30

### Operating and environmental conditions

Ambient temperature	[°C]	-10 ... +50
CE marking (see declaration of conformity) <sup>1)</sup>		To EU EMC Directive
UKCA marking (see declaration of conformity) <sup>1)</sup>		To UK EMC regulations
Corrosion resistance class CRC <sup>2)</sup>		2

1) Additional information: [www.festo.com/catalogue/cces](http://www.festo.com/catalogue/cces) → Support/Downloads.

2) Corrosion resistance class CRC 2 to Festo standard FN 940070

Moderate corrosion stress. Indoor applications in which condensation can occur. External visible parts with primarily decorative surface requirements that are in direct contact with a normal industrial environment.

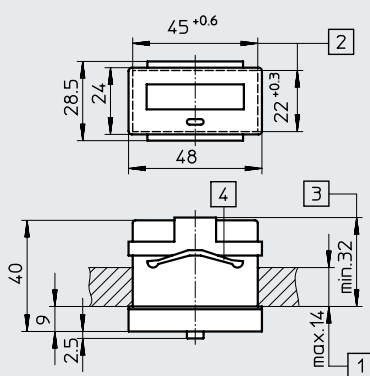
### Materials

Housing	PC
Note on materials	RoHS-compliant


## Datasheet

### Dimensions

Download CAD data → [www.festo.com](http://www.festo.com)



- [1] Front panel
- [2] Cutout on front panel
- [3] Installation depth
- [4] Clamp frame

 - **Note**  
Terminal cross section:  
max. 1 mm<sup>2</sup>, min. 0.13 mm<sup>2</sup>

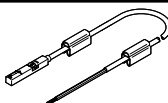
### Ordering data


Ordering data	Part no.	Type
Adding counter	<b>549403</b>	<b>CCES-P-C8-E</b>

## Accessories

### Ordering data

Datasheets → Internet: sme-8m, smt-8m

Ordering data	Description	Switching output	Part no.	Type
	Proximity switch, N/O with cable, 2.5 m	Contacting, bipolar	<b>543862</b>	<b>SME-8M-DS-24V-K-2.5-OE</b>
		PNP	<b>543867</b>	<b>SMT-8M-PS-24V-K-2.5-OE</b>

 - **Note**

- The proximity switch SME mentioned above can be connected as a 2-wire switch to the adding counter without an additional voltage supply.
- When using other proximity switches, an additional voltage supply may be required and it may be necessary to reprogram the counting input for the adding counter from NPN to PNP.
- Shielded cables must be used for cable lengths over 3 m.
- The maximum permissible cable length is 30 m.