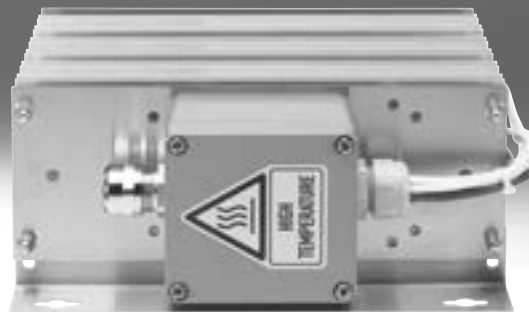


Braking resistors CACR

FESTO



Type codes

001	Series
CACR	Resistance

002	Connection technology 1
LE	Open end
KL	Terminal

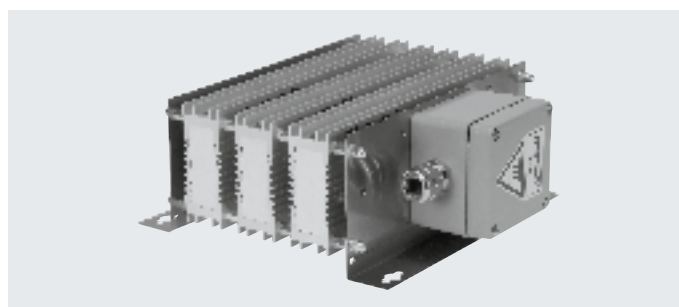
003	Number of pins/wires on the left
2	2

004	Resistance value
6	6 Ohm
33	33 Ohm
40	40 Ohm
50	50 Ohm
67	67 Ohm
72	72 Ohm
100	100 Ohm
240	240 Ohm

005	Nominal power
W60	60 Watt
W500	500 Watt
W1800	1800 Watt
W2000	2000 Watt
W2400	2400 Watt

Data sheet

Braking resistor
CACR-LE2
CACR-KL2



General technical data

Type	CACR-					
	LE2-6-W60	LE2-50-W500	LE2-72-W500	LE2-100-W500	LE2-240-W500	
Output at 35% duty cycle and 20°C	[W]	180	500	500	500	500
Nominal power	[W]	60	200	200	200	200
Nominal power at 380 V	[W]	–	150	150	150	150
Nominal power at 780 V	[W]	–	120	120	120	120
Pulse energy at 380 V	[Ws]	–	2000	2000	2000	2000
Pulse energy at 780 V	[Ws]	–	1800	1800	1800	1800
Resistance value	[Ω]	6	50	72	100	240
Connection technology		Open end				
Mounting position		Vertical, horizontal	Vertical			
		Free convection				
Type of mounting		–	Via accessories			
		With through-hole				
Product weight	[g]	140	550	550	550	550

Type	CACR-					
	KL2-67-W1800	KL2-100-W1800	KL2-240-W1800	KL2-40-W2000	KL2-33-W2400	
Output at 35% duty cycle and 20°C	[W]	1800	1800	1800	2000	3600 ¹⁾
Nominal power	[W]	720	720	720	800	1440
Nominal power at 380 V	[W]	720	720	720	600	1440
Nominal power at 780 V	[W]	720	720	720	480	1440
Pulse energy at 380 V	[Ws]	10800	10800	10800	8000	21600
Pulse energy at 780 V	[Ws]	10800	10800	10800	7200	21600
Resistance value	[Ω]	67	100	240	40	33
Connection technology		Terminal				
Mounting position		Vertical				
		Free convection				
Type of mounting		Via accessories				
		With through-hole				
Product weight	[g]	4000	3400	3400	2400	8000

1) As per the UL and CSA approval certificates, the performance data on the rating plate is reduced to 2400 W.

Operating and environmental conditions

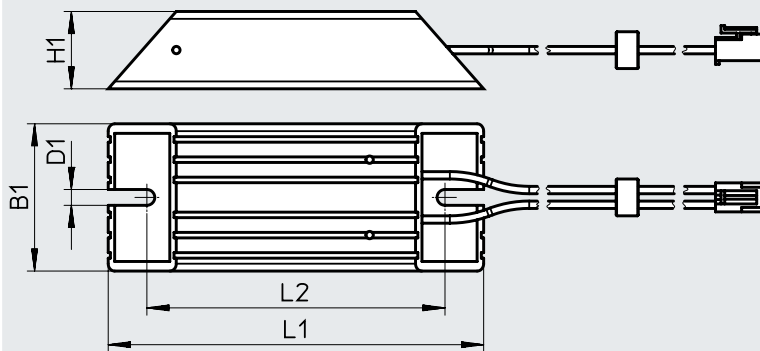
Type	CACR-	
	LE2-6-W60	LE2-.../KL2-...
Ambient temperature	[°C]	0 ... 50
Degree of protection		IP65
Certification		c UL us - Recognized (OL)
		– c CSA us (OL)
PWIS conformity		VDMA24364 zone III
Note on materials		RoHS-compliant

Data sheet

Dimensions

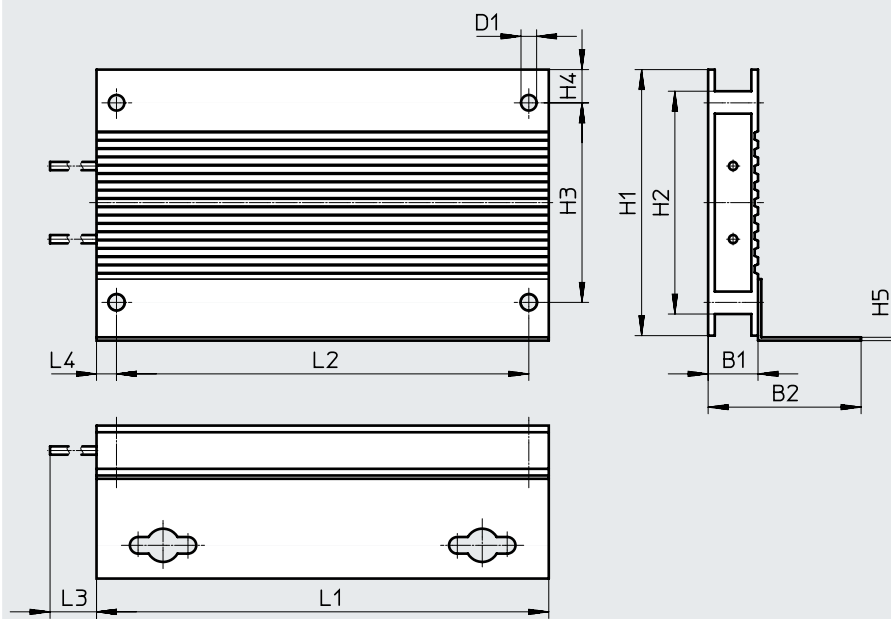
Download CAD data → www.festo.com

CACR-LE2-...-W60



Type	B1	D1	H1	L1	L2
	±1	±0.1	±1		±3
CACR-LE2-6-W60	40	4.3	21	102	81

CACR-LE2-...-W500



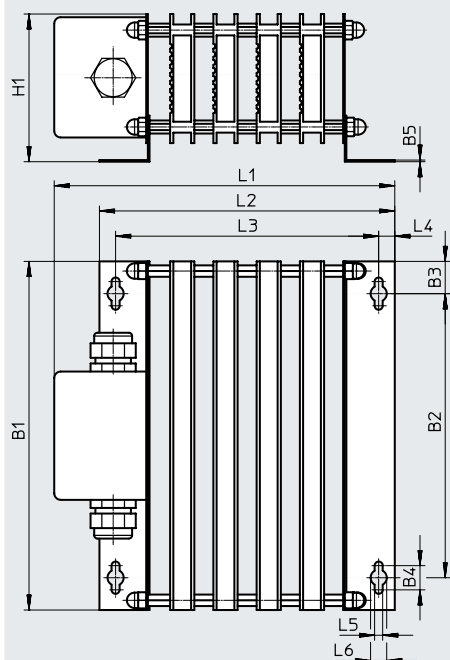
Type	B1	B2	D1 ∅	H1	H2	H3	H4	H5	L1	L2	L3	L4
	±0.5		±0.1		±0.3	±0.2				±0.2	±40	
CACR-LE2-50-W500	15	46	4.7	80	67	60	10	1	216	204	510	6
CACR-LE2-72-W500												
CACR-LE2-100-W500												
CACR-LE2-240-W500												

Data sheet

Dimensions

Download CAD data → www.festo.com

CACR-KL2-...-W1800, CACR-KL2-40-W2000



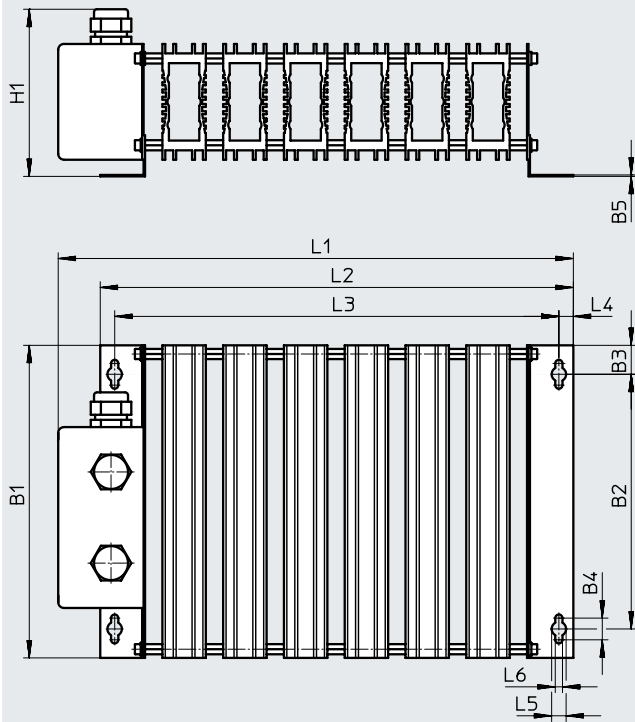
Type	B1	B2	B3	B4	B5	H1	L1	L2	L3	L4	L5	L6
CACR-KL2-67-W1800	216	176	20	15	1	91.5	230	201	181	10	10	5
CACR-KL2-100-W1800												
CACR-KL2-240-W1800												
CACR-KL2-40-W2000	216	176	20	15	1	91.5	211	183	163	10	10	5

Data sheet

Dimensions

Download CAD data → www.festo.com

CACR-KL2-33-W2400



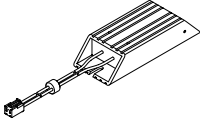
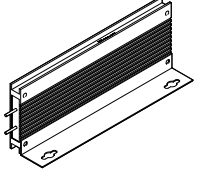
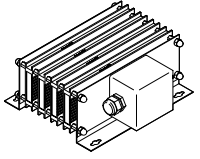
Type	B1	B2	B3	B4	B5	H1	L1	L2	L3	L4	L5	L6
CACR-KL2-33-W2400	216	176	20	15	1	115.5	356	327	307	10	10	5

Data sheet

Matching braking resistor with servo drive								
Braking resistor	CACR-							
	LE2-50-W500	LE2-72-W500	LE2-100-W500	LE2-240-W500	KL2-67-W1800	KL2-100-W1800	KL2-240-W1800	KL2-40-W2000
Suitable for servo drive								
CMMT-AS-C2-3A	-	-	■	-	-	■	-	-
CMMT-AS-C4-3A	-	■	■	-	■	■	-	-
CMMT-AS-C2-11A	-	-	-	■	-	-	■	-
CMMT-AS-C3-11A	-	-	-	■	-	-	■	-
CMMT-AS-C5-11A	-	-	■	-	-	■	-	-
CMMT-AS-C7-11A	-	■	■	-	■	■	-	-
CMMT-AS-C12-11A	■	-	-	-	-	-	-	■

Matching braking resistor with motor controller						
Braking resistor	CACR-					
	LE2-6-W60	LE2-50-W500	LE2-72-W500	KL2-67-W1800	KL2-40-W2000	KL2-33-W2400
Suitable for motor controller						
CMMP-AS-C2-3A-M0	-	■ ¹⁾	■	-	-	-
CMMP-AS-C5-3A-M0	-	■ ¹⁾	■	-	-	-
CMMP-AS-C5-11A-P3-M0	-	-	-	■	■ ¹⁾	-
CMMP-AS-C10-11A-P3-M0	-	-	-	■	■ ¹⁾	-
CMMP-AS-C2-3A-M3	-	■ ¹⁾	■	-	-	-
CMMP-AS-C5-3A-M3	-	■ ¹⁾	■	-	-	-
CMMP-AS-C5-11A-P3-M3	-	-	-	■	■ ¹⁾	-
CMMP-AS-C10-11A-P3-M3	-	-	-	■	■ ¹⁾	-
CMMP-AS-C20-11A-P3	-	-	-	-	-	■
Suitable for integrated drive						
EMCA-EC-67-...	■	-	-	-	-	-

1) Recommended braking resistor

Ordering data				
Type	Resistance value [Ω]	Nominal power [W]	Part no.	Type
CACR-LE2-...				
	6	60	8047913	CACR-LE2-6-W60
	50	200	2882342	CACR-LE2-50-W500
	72	200	1336611	CACR-LE2-72-W500
	100	200	1336615	CACR-LE2-100-W500
	240	200	8091543	CACR-LE2-240-W500
CACR-KL2-...				
	67	720	1336617	CACR-KL2-67-W1800
	100	720	8091545	CACR-KL2-100-W1800
	240	720	8091544	CACR-KL2-240-W1800
	40	800	2882343	CACR-KL2-40-W2000
	33	1440	1336619	CACR-KL2-33-W2400