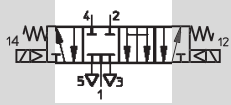


# Solenoid Actuated Valves

5/4 - 5 Ported, 4 Way, 4 Position Valves, Piloted G 1/2

## Double Solenoid Valve

Spring Centered with Socket  
Type MC-5/4-1/2



### Note:

Zero Position: 1, 2, 3, 4, 5 blocked  
Simultaneous electrical actuation of solenoids: 1, 2, 3, 4, 5.

### Accessories:

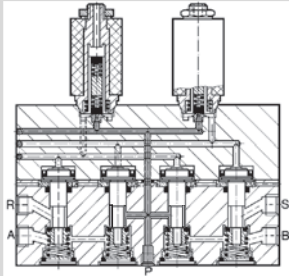
Solenoids, see pages 732-733.

Sockets, Types MSSD-C, KMC-..., see pages 734-735.

LED inserts, Types MC-..., MCL-..., see pages 738-739.

Exhaust throttle with silencer

Order No. 4869 GRU-1/2, see page 817.



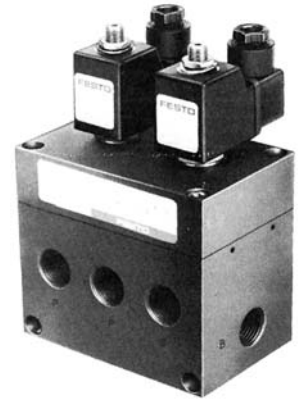
1 (P) = Supply Port  
4, 2 (A, B) = Working or Outlet Ports  
5, 3 (R, S) = Exhaust Ports

In centered position, these valves hold the piston of a double-acting cylinder clamped under pressure.

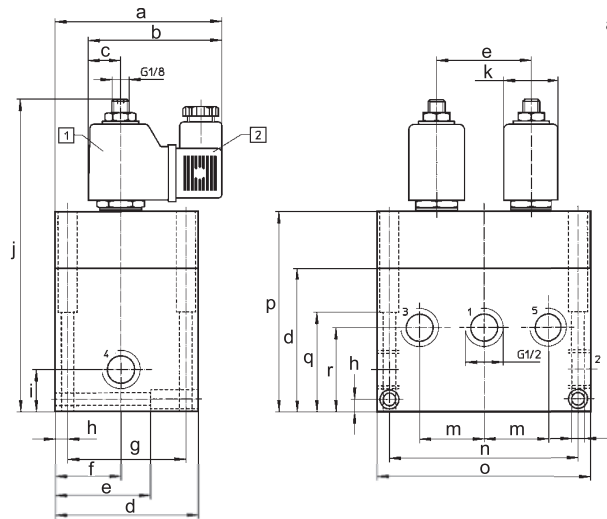
For this reason, they are especially suited for positioning, emergency shut-down and holding double-acting cylinders in any desired position.

Speed control valves must be used only at the exhaust ports to prevent cylinder creep.

The separate exhaust ports R and S permit separate control of cylinder extension and retraction speeds.



Valve shown with solenoid and socket accessories.



1 Solenoid coil can be rotated  
2 Plug can be turned 90°

### Dimensions

a	3.45 in / 87.5 mm
b	2.76 in / 70 mm
c	0.67 in / 17 mm
d	2.95 in / 75 mm
e	1.97 in / 50 mm
f	1.34 in / 34.5 mm
g	2.44 in / 62 mm
h	0.26 in / 6.5 mm
i	0.87 in / 22 mm
j	6.48 in / 164.5 mm
k	1.16 in / 29.5 mm
l	0.26 in / 6.6 mm
m	1.34 in / 34 mm
n	3.94 in / 100 mm
o	4.45 in / 113 mm
p	4.13 in / 105 mm
q	2.05 in / 52 mm
r	1.73 in / 44 mm

Order Number	Part No./Type	4861 MC-5/4-1/2	
Medium		Compressed air (filtered, lubricated or unlubricated)	
Mounting		Holes through housing	
Connection		G 1/2 ISO	
Orifice Size		0.47 in / 12 mm	
C <sub>v</sub> Factor (P → A)		2.7 C <sub>v</sub> / 2700 l/min	
Pressure Range		30-150 psi / 2-10 bar	
Response Time at 90 psi / 6 bar		On: 28 ms Off: 33 ms	
Ambient Temperature		23 to 104°F / -5 to +40°C	
Medium Temperature		14 to 140°F / -10 to +60°C	
Design		Seat valve, piloted, with spring centering	
Materials		Housing: Al, blue, anodized. Seals: Buna N	
Weight		5.908 lb / 2.680 kg	
Direct Current	Standard Voltage	12 and 24V	For solenoids, see pages 732-733.
	Available Voltage	12-240V	
Alternating Current	Standard Voltage	24, 42, 110, 220V / 50 Hz	
	Available Voltage	24-380V / 50 or 60 Hz	
Power Consumption	DC	12 W	
	AC	Inrush: 30 VA, holding: 22 VA	
ED Switching Time		100%	
Type of Protection		IP 65 (DIN 40050)	

# Product Range and Company Overview

## A Complete Suite of Automation Services

Our experienced engineers provide complete support at every stage of your development process, including: conceptualization, analysis, engineering, design, assembly, documentation, validation, and production.



**Custom Automation Components**  
Complete custom engineered solutions



**Custom Control Cabinets**  
Comprehensive engineering support and on-site services



**Complete Systems**  
Shipment, stocking and storage services

## The Broadest Range of Automation Components

With a comprehensive line of more than 30,000 automation components, Festo is capable of solving the most complex automation requirements.



**Electromechanical**  
Electromechanical actuators, motors, controllers & drives



**Pneumatics**  
Pneumatic linear and rotary actuators, valves, and air supply



**PLCs and I/O Devices**  
PLC's, operator interfaces, sensors and I/O devices

## Supporting Advanced Automation... As No One Else Can!

Festo is a leading global manufacturer of pneumatic and electromechanical systems, components and controls for industrial automation, with more than 12,000 employees in 56 national headquarters serving more than 180 countries. For more than 80 years, Festo has continuously elevated the state of manufacturing with innovations and optimized motion control solutions that deliver higher performing, more profitable automated manufacturing and processing equipment. Our dedication to the advancement of automation extends beyond technology to the education and development of current and future automation and robotics designers with simulation tools, teaching programs, and on-site services.

## Quality Assurance, ISO 9001 and ISO 14001 Certifications

Festo Corporation is committed to supply all Festo products and services that will meet or exceed our customers' requirements in product quality, delivery, customer service and satisfaction.

To meet this commitment, we strive to ensure a consistent, integrated, and systematic approach to management that will meet or exceed the requirements of the ISO 9001 standard for Quality Management and the ISO 14001 standard for Environmental Management.



© Copyright 2008, Festo Corporation. While every effort is made to ensure that all dimensions and specifications are correct, Festo cannot guarantee that publications are completely free of any error, in particular typing or printing errors. Accordingly, Festo cannot be held responsible for the same. For Liability and Warranty conditions, refer to our "Terms and Conditions of Sale", available from your local Festo office. All rights reserved. No part of this publication may be reproduced, distributed, or transmitted in any form or by any means, electronic, mechanical, photocopying or otherwise, without the prior written permission of Festo. All technical data subject to change according to technical update.



Printed on recycled paper at New Horizon Graphic, Inc., FSC certified as an environmentally friendly printing plant.

# Festo North America

## United States

### Customer Resource Center

502 Earth City Expy., Suite 125  
Earth City, MO 63045

For ordering assistance, or to find  
your nearest Festo Distributor,

**Call:** 1.800.99.FESTO

**Fax:** 1.800.96.FESTO

**Email:** customer.service@us.festo.com

For technical support,

**Call:** 1.866.GO.FESTO

**Fax:** 1.800.96.FESTO

**Email:** product.support@us.festo.com

### Headquarters

Festo Corporation  
395 Moreland Road  
P.O. Box 18023  
Hauppauge, NY 11788  
[www.festo.com/us](http://www.festo.com/us)

---

## Sales Offices

### Appleton

N. 922 Tower View Drive, Suite N  
Greenville, WI 54942

### Boston

120 Presidential Way, Suite 330  
Woburn, MA 01801

### Chicago

1441 East Business Center Drive  
Mt. Prospect, IL 60056

### Dallas

1825 Lakeway Drive, Suite 600  
Lewisville, TX 75057

### Detroit - Automotive Engineering Center

2601 Cambridge Court, Suite 320  
Auburn Hills, MI 48326

### New York

395 Moreland Road  
Hauppauge, NY 11788

### Silicon Valley

4935 Southfront Road, Suite F  
Livermore, CA 94550

## Design and Manufacturing Operations



**East:** 395 Moreland Road, Hauppauge, NY 11788



**Central:** 1441 East Business Center Drive, Mt. Prospect, IL 60056



**West:** 4935 Southfront Road, Suite F, Livermore, CA 94550

---

## Mexico

### Headquarters

Festo Pneumatic, S.A.  
Av. Ceylán 3, Col. Tequesquahuac  
54020 Tlalnepantla, Edo. de México  
**Call:** 011 52 [55] 53 21 66 00  
**Fax:** 011 52 [55] 53 21 66 65  
**Email:** festo.mexico@mx.festo.com  
[www.festo.com/mx](http://www.festo.com/mx)



---

## Canada

### Headquarters

Festo Inc.  
5300 Explorer Drive  
Mississauga, Ontario L4W 5G4  
**Call:** 1.905.624.9000  
**Fax:** 1.905.624.9001  
**Email:** info.ca@ca.festo.com  
[www.festo.com/ca](http://www.festo.com/ca)



---

## Festo Worldwide

Argentina Australia Austria Belarus Belgium Brazil Bulgaria Canada Chile China Colombia Croatia Czech Republic Denmark  
Estonia Finland France Germany Great Britain Greece Hong Kong Hungary India Indonesia Iran Ireland Israel Italy Japan  
Latvia Lithuania Malaysia Mexico Netherlands New Zealand Norway Peru Philippines Poland Romania Russia Serbia Singapore  
Slovakia Slovenia South Africa South Korea Spain Sweden Switzerland Taiwan Thailand Turkey Ukraine United States Venezuela

[www.festo.com](http://www.festo.com)