

**Filter-Regulator-Lubricator FRC**



# Filter-Regulator-Lubricator, Type FRC

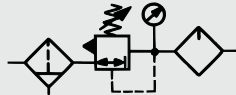
## 1/8" to 1" NPT, INCH and Metric Series

### Filter-Regulator-Lubricator

with Metal Bowl Guards,  
Locking Regulator Head and Gauge

with Manual Bowl Drain  
Type FRC-...-D-...-NPT

with Integrated, Automatic Bowl Drain  
Type FRC-...-D-...-A-NPT



#### Accessories:

Mounting brackets, Type HFOE-...  
(see page 67)

Note: Because of the weight offset of a  
Filter-Regulator-Lubricator unit, it should  
not be mounted with a Mounting Bracket  
Type HR-D-...

Pressure Gauges, Type MA-.../SDE1-...  
(see page 68-70)

Standard 40 micron filter cartridge,  
Type LF/LFR-... (see page 67)

5 micron filter cartridge, Type LFP-...  
(see page 67)

The filter-regulator-lubricator unit includes the following:

The sintered filter equipped with water separator that cleanses the compressed air of impurities, pipe deposits, rust, and condensation.

For special applications, the standard 40 micron cartridge can be replaced by a 5 micron filter cartridge.

The pressure regulator with secondary ventilation maintains a constant operating pressure (secondary side) despite fluctuations in line pressure (primary side) and the amount of air consumed.

Units are available in two working pressure ranges:  
174 psi / 12 bar and 102 psi / 7 bar.

The constant-density lubricator adds oil mist to the filtered air. The amount of oil mist is proportional to the air flow. Oil may be added under pressure during machine operation.

The oil drip rate is controlled by the regulating screw. Normally 1 to 12 drops per 35 cu ft / 100 l of air is sufficient.

The following oils are recommended for Festo units.

Recommended Oil Grades	Viscosity
FESTO Special Oil ARAL Vitam GF 32 BP Energol HLP 32 Esso Nuto H 32 Mobil DTE 24 Shell Hydrol DO 32	Hydraulic oil per DIN 51524 Part 2 with a viscosity of 32 mm <sup>2</sup> /s at 40°C (HLP 32)

**Festo Special Oil in 1 liter container: Order Number 152811 OFSW-32**

Filter-Regulator-Lubricator Units can be ordered without pressure gauges.

**Note:** The Filter-Regulator-Lubricator Unit, Type FRC, consists of a combined unit filter-regulator, Type LFR-... and a lubricator, Type LOE-... . These units can also be purchased separately.



**Note:** The Pressure Signal Conversion Unit, Type PENV-A-... can be used as a digital-readout pressure indicator assembly on Filter-Regulator-Lubricator Units.

# Filter-Regulator-Lubricator, Type FRC

## Specifications, INCH Series

Order Number Part No. / Type Pressure Range 12 bar Filtration 40 Micron	Service Unit Manual Bowl Drain	173828 FRC-1/8-D- MINI-NPT	173836 FRC-1/4-D- MINI-NPT	173844 FRC-3/8-D- MINI-NPT	173852 FRC-3/8-D- MIDI-NPT	173860 FRC-1/2-D- MIDI-NPT	173868 FRC-3/4-D- MIDI-NPT	173876 FRC-3/4-D- MAXI-NPT	173884 FRC-1-D- MAXI-NPT
	Service Unit Automatic Bowl Drain	173829 FRC-1/8-D- MINI-A-NPT	173837 FRC-1/4-D- MINI-A-NPT	173845 FRC-3/8-D- MINI-A-NPT	173853 FRC-3/8-D- MIDI-A-NPT	173861 FRC-1/2-D- MIDI-A-NPT	173869 FRC-3/4-D- MIDI-A-NPT	173877 FRC-3/4-D- MAXI-A-NPT	173885 FRC-1-D- MAXI-A-NPT
Pressure Range 7 bar Filtration 40 Micron	Service Unit Manual Bowl Drain	173834 FRC-1/8-D-7- MINI-NPT	173842 FRC-1/4-D-7- MINI-NPT	173850 FRC-3/8-D-7- MINI-NPT	173858 FRC-3/8-D-7- MIDI-NPT	173866 FRC-1/2-D-7- MIDI-NPT	173874 FRC-3/4-D-7- MIDI-NPT	173882 FRC-3/4-D-7- MAXI-NPT	173890 FRC-1-D-7- MAXI-NPT
	Service Unit Automatic Bowl Drain	173835 FRC-1/8-D-7- MINI-A-NPT	173843 FRC-1/4-D-7- MINI-A-NPT	173851 FRC-3/8-D-7- MINI-A-NPT	173859 FRC-3/8-D-7- MIDI-A-NPT	173867 FRC-1/2-D-7- MIDI-A-NPT	173875 FRC-3/4-D-7- MIDI-A-NPT	173883 FRC-3/4-D-7- MAXI-A-NPT	173891 FRC-1-D-7- MAXI-A-NPT
Pressure Range 12 bar Filtration 5 Micron	Service Unit Manual Bowl Drain	173832 FRC-1/8-D- 5M-MINI-NPT	173840 FRC-1/4-D- 5M-MINI-NPT	173848 FRC-3/8-D- 5M-MINI-NPT	173856 FRC-3/8-D- 5M-MIDI-NPT	173864 FRC-1/2-D- 5M-MIDI-NPT	173872 FRC-3/4-D- 5M-MIDI-NPT	173880 FRC-3/4-D- 5M-MAXI-NPT	173888 FRC-1-D-5M- MAXI-NPT
	Service Unit Automatic Bowl Drain	173833 FRC-1/8-D-5M- MINI-A-NPT	173841 FRC-1/4-D-5M- MINI-A-NPT	173849 FRC-3/8-D-5M- MINI-A-NPT	173857 FRC-3/8-D-5M- MIDI-A-NPT	173865 FRC-1/2-D-5M- MIDI-A-NPT	173873 FRC-3/4-D-5M- MIDI-A-NPT	173881 FRC-3/4-D-5M- MAXI-A-NPT	173889 FRC-1-D-5M- MAXI-A-NPT
	Mounting Brackets	159638 HFOE-D-MINI			159593 HFOE-D-MIDI / MAXI				
	Filter Cartridge (5 micron)	159640 LFP-D-MINI-5M			159594 LFP-D-MIDI-5M			159641 LFP-D-MAXI-5M	
	Adapter for Pressure Signal Conversion Unit	161207 PENV-A-H-1/8-D			161208 PENV-A-H-3/8-D				
	Threaded Bolt Set	159642 FRB-D-MINI			159595 FRB-D-MIDI			159643 FRB-D-MAXI	
Medium	Compressed air								
Design	Sintered filter with water separator, MINI, MIDI: Diaphragm-type regulator / MAXI: Piston regulator, direct constant-density lubricator								
Mounting	In line assembly or mounting brackets								
Assembly Position	Vertical $\pm$ 5°								
Connection	1/8" NPT		1/4" NPT	3/8" NPT	3/8" NPT	1/2" NPT	3/4" NPT	3/4" NPT	1" NPT
Nominal Flow*	FRC-...-D-...	25 scfm / 700 l/min	35 scfm / 1000 l/min	42 scfm / 1200 l/min	71 scfm / 2000 l/min	92 scfm / 2600 l/min	92 scfm / 2600 l/min	293 scfm / 8300 l/min	300 scfm / 8500 l/min
	FRC-...-D-7-...	28 scfm / 800 l/min	46 scfm / 1300 l/min	53 scfm / 1500 l/min	88 scfm / 2500 l/min	99 scfm / 2800 l/min	99 scfm / 2800 l/min	300 scfm / 8500 l/min	307 scfm / 8700 l/min
	FRC-...-D-5M-...	21 scfm / 600 l/min	30 scfm / 850 l/min	37 scfm / 1050 l/min	60 scfm / 1700 l/min	64 scfm / 1800 l/min	74 scfm / 2100 l/min	247 scfm / 7000 l/min	254 scfm / 7200 l/min
Primary Pressure Range	Manual Bowl Drain	15 to 240 psi / 1 to 16 bar							
	Automatic Bowl Drain**	22 to 180 psi / 1.5 to 12 bar							
Working Pressure Range	7.5 to 180 psi / 0.5 to 12 bar or 7.5 to 105 psi / 0.5 to 7 bar								
Lubricator Operation Range Minimum	0.11 scfm / 3 l/min				0.21 scfm / 6 l/min			0.35 scfm / 10 l/min	
Filter Pore Size	Standard: 40 micron; cartridge Type LFP: average pore size: 5 micron								
Max. Bowl Capacity	13 cu in / 22 ml				26 cu in / 43 ml			49 cu in / 80 ml	
Temperature Range	14 to 140°F / -10 to +60°C								
Materials	Housing: GD-Zn; Filter and lubricator bowl: Polycarbonate; Metal bowl guards: Al; Seals: Buna N; Adjustment knob: PA 6								
Weight	1.543 lb / 0.700 kg				3.086 lb / 1.400 kg			5.291 lb / 2.400 kg	5.512 lb / 2.500 kg

\* At upstream pressure 150 psi / 10 bar, operating pressure 90 psi / 6 bar, and  $\Delta p = 15$  psi / 1 bar. With 5 micron filter cartridge, flow is approx. 20% less.

\*\* A minimum flow of 4 scfm / 125 l/min is required for the proper result.

# Filter-Regulator-Lubricator, Type FRC

## Specifications, Metric Series

Order Number	Service Unit	159604	159605	162734	159588	159590	162735	159606	159607
Part No. / Type	Manual Bowl Drain	FRC-1/8-D-MINI	FRC-1/4-D-MINI	FRC-3/8-D-MINI	FRC-3/8-D-MIDI	FRC-1/2-D-MIDI	FRC-3/4-D-MIDI	FRC-3/4-D-MAXI	FRC-1-D-MAXI
Pressure Range 12 bar	Service Unit	159608	159609	162736	159589	159591	162737	159610	159611
Filtration 40 Micron	Automatic Bowl Drain	FRC-1/8-D-MINI-A	FRC-1/4-D-MINI-A	FRC-3/8-D-MINI-A	FRC-3/8-D-MIDI-A	FRC-1/2-D-MIDI-A	FRC-3/4-D-MIDI-A	FRC-3/4-D-MAXI-A	FRC-1-D-MAXI-A
Pressure Range 7 bar	Service Unit	162754	162755	162756	162757	162758	162759	162760	162761
Filtration 40 Micron	Manual Bowl Drain	FRC-1/8-D-7-MINI	FRC-1/4-D-7-MINI	FRC-3/8-D-7-MINI	FRC-3/8-D-7-MIDI	FRC-1/2-D-7-MIDI	FRC-3/4-D-7-MIDI	FRC-3/4-D-7-MAXI	FRC-1-D-7-MAXI
	Service Unit	162762	162763	162764	162765	162766	162767	162768	162769
	Automatic Bowl Drain	FRC-1/8-D-7-MINI-A	FRC-1/4-D-7-MINI-A	FRC-3/8-D-7-MINI-A	FRC-3/8-D-7-MIDI-A	FRC-1/2-D-7-MIDI-A	FRC-3/4-D-7-MIDI-A	FRC-3/4-D-7-MAXI-A	FRC-1-D-7-MAXI-A
Pressure Range 12 bar	Service Unit	162770	162771	162772	162773	162774	162775	162776	162777
Filtration 5 Micron	Manual Bowl Drain	FRC-1/8-D-5M-MINI	FRC-1/4-D-5M-MINI	FRC-3/8-D-5M-MINI	FRC-3/8-D-5M-MIDI	FRC-1/2-D-5M-MIDI	FRC-3/4-D-5M-MIDI	FRC-3/4-D-5M-MAXI	FRC-1-D-5M-MAXI
	Service Unit	162778	162779	162780	162781	162782	162783	162784	162785
	Automatic Bowl Drain	FRC-1/8-D-5M-MINI-A	FRC-1/4-D-5M-MINI-A	FRC-3/8-D-5M-MINI-A	FRC-3/8-D-5M-MIDI-A	FRC-1/2-D-5M-MIDI-A	FRC-3/4-D-5M-MIDI-A	FRC-3/4-D-5M-MAXI-A	FRC-1-D-5M-MAXI-A
	Mounting Brackets	159638 HFOE-D-MINI			159593 HFOE-D-MIDI / MAXI				
	Filter Cartridge (5 micron)	159640 LFP-D-MINI-5M			159594 LFP-D-MIDI-5M			159641 LFP-D-MAXI-5M	
	Adapter for Pressure Signal Conversion Unit	161207 PENV-A-H-1/8-D			161208 PENV-A-H-3/8				
	Threaded Bolt Set	159642 FRB-D-MINI			159595 FRB-D-MIDI			159643 FRB-D-MAXI	
Medium		Compressed air							
Design		Sintered filter with water separator, MINI, MIDI: Diaphragm-type regulator / MAXI: Piston regulator, direct constant-density lubricator							
Mounting		In line assembly or mounting brackets							
Assembly Position		Vertical $\pm 5^\circ$							
Connection		G 1/8 ISO	G 1/4 ISO	G 3/8 ISO	G 3/8 ISO	G 1/2 ISO	G 3/4 ISO	G 3/4 ISO	G 1 ISO
Nominal Flow*	FRC-...-D-...	25 scfm / 700 l/min	35 scfm / 1000 l/min	42 scfm / 1200 l/min	71 scfm / 2000 l/min	92 scfm / 2600 l/min	92 scfm / 2600 l/min	293 scfm / 8300 l/min	300 scfm / 8500 l/min
	FRC-...-D-7-...	28 scfm / 800 l/min	46 scfm / 1300 l/min	53 scfm / 1500 l/min	88 scfm / 2500 l/min	99 scfm / 2800 l/min	99 scfm / 2800 l/min	300 scfm / 8500 l/min	307 scfm / 8700 l/min
	FRC-...-D-5M-...	21 scfm / 600 l/min	30 scfm / 850 l/min	37 scfm / 1050 l/min	60 scfm / 1700 l/min	64 scfm / 1800 l/min	74 scfm / 2100 l/min	247 scfm / 7000 l/min	254 scfm / 7200 l/min
Primary Pressure Range	Manual Bowl Drain	15 to 240 psi / 1 to 16 bar							
	Automatic Bowl Drain**	22 to 180 psi / 1.5 to 12 bar							
Working Pressure Range		7.5 to 180 psi / 0.5 to 12 bar or 7.5 to 105 psi / 0.5 to 7 bar							
Lubricator Operation Range Minimum		0.11 scfm / 3 l/min			0.21 scfm / 6 l/min			0.35 scfm / 10 l/min	
Filter Pore Size		Standard: 40 micron; cartridge Type LFP: average pore size: 5 micron							
Max. Bowl Capacity		13 cu in / 22 ml			26 cu in / 43 ml			49 cu in / 80 ml	
Temperature Range		14 to 140°F / -10 to +60°C							
Materials		Housing: GD-Zn; Filter and lubricator bowl: Polycarbonate; Metal bowl guards: Al; Seals: Buna N; Adjustment knob: PA 6							
Weight		1.543 lb / 0.700 kg			3.086 lb / 1.400 kg			5.291 lb / 2.400 kg	5.512 lb / 2.500 kg

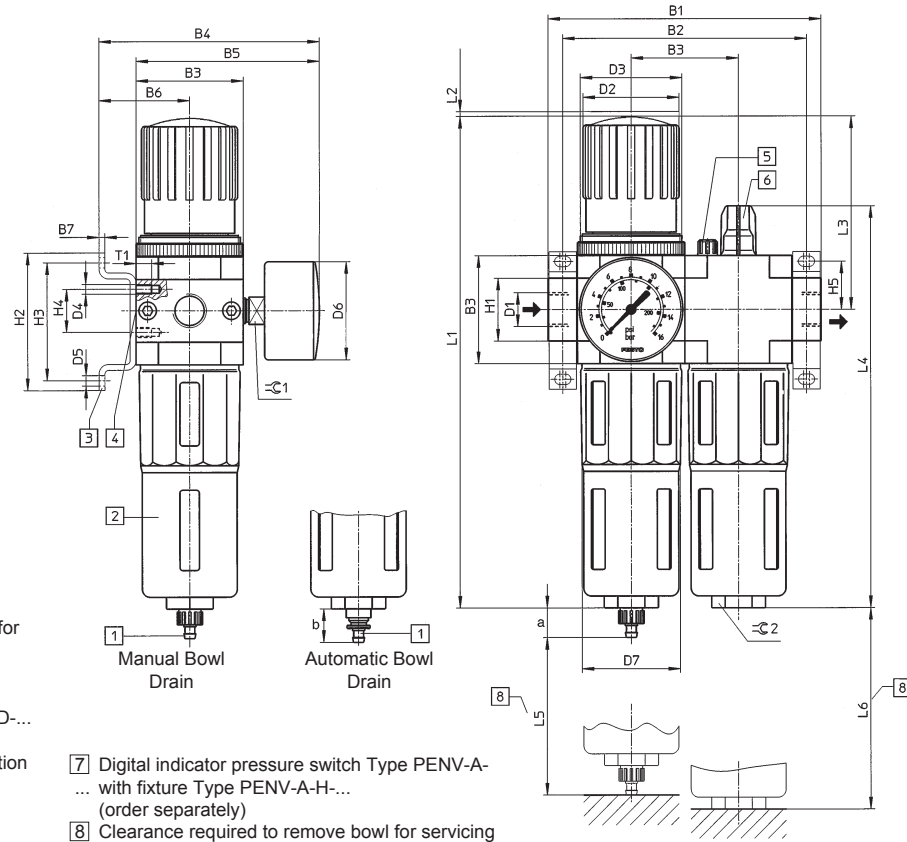
\* At upstream pressure 150 psi / 10 bar, operating pressure 90 psi / 6 bar,  $\Delta p = 15$  psi / 1 bar. With 5 micron filter cartridge, flow is approx. 20% less.

\*\* A minimum flow of 4 scfm / 125 l/min is required for the proper result.

# Filter-Regulator-Lubricator, Type FRC

## Dimensions, INCH and Metric Series

Type FRC-...-D-...



### Dimensions

- a 0.59 in / 15 mm
- b 0.67 in / 17 mm

- 1 Drain connection: barbed fitting for 4 mm ID clear plastic tubing (order number 7134 PCN-4)
- 2 Metal bowl guard
- 3 Mounting brackets Type HFOE-D-... (order separately)
- 4 Second pressure gauge connection
- 5 Fill plug for oil vessel
- 6 Oil regulating screw
- 7 Digital indicator pressure switch Type PENV-A-... with fixture Type PENV-A-H-... (order separately)
- 8 Clearance required to remove bowl for servicing

Type Inch and Metric Series	B1 in / mm	B2 in / mm	B3 in / mm	B4 in / mm	B5 in / mm	B6 in / mm	B7 in / mm	B8 in / mm	D1 Thread	D2 dia in / mm
FRC-1/8-D-MINI-...	4.09 / 104	3.62 / 92	1.57 / 40	3.78 / 96	3.03 / 77	1.54 / 39	0.08 / 2	2.74 / 69.5	1/8 NPT / G 1/8 ISO	1.22 / 31
FRC-1/4-D-MINI-...	4.09 / 104	3.62 / 92	1.57 / 40	3.78 / 96	3.03 / 77	1.54 / 39	0.08 / 2	2.74 / 69.5	1/4 NPT / G 1/4 ISO	1.22 / 31
FRC-3/8-D-MINI-...	4.33 / 110	3.62 / 92	1.57 / 40	3.78 / 96	3.03 / 77	1.54 / 39	0.08 / 2	2.74 / 69.5	3/8 NPT / G 3/8 ISO	1.22 / 31
FRC-3/8-D-MIDI-...	5.51 / 140	4.92 / 125	2.17 / 55	4.45 / 113	3.70 / 94	1.85 / 47	0.12 / 3	3.33 / 84.5	3/8 NPT / G 3/8 ISO	1.97 / 50
FRC-1/2-D-MIDI-...	5.51 / 140	4.92 / 125	2.17 / 55	4.45 / 113	3.70 / 94	1.85 / 47	0.12 / 3	3.33 / 84.5	1/2 NPT / G 1/2 ISO	1.97 / 50
FRC-3/4-D-MIDI-...	5.51 / 140	4.92 / 125	2.17 / 55	4.45 / 113	3.70 / 94	1.85 / 47	0.12 / 3	3.33 / 84.5	3/4 NPT / G 3/4 ISO	1.97 / 50
FRC-3/4-D-MAXI-...	6.38 / 162	5.79 / 147	2.60 / 66	4.92 / 125	4.13 / 105	2.09 / 53	0.12 / 3	3.84 / 97.5	3/4 NPT / G 3/4 ISO	1.22 / 31
FRC-1-D-MAXI-...	7.17 / 182	6.18 / 157	2.60 / 66	4.92 / 125	4.13 / 105	2.09 / 53	0.12 / 3	3.84 / 97.5	1 NPT / G 1 ISO	1.22 / 31
Type Inch and Metric Series	D3 Mounting Nut Thread	D4 Thread	D5 dia in / mm	D6 dia in / mm	D7 dia in / mm	H1 in / mm	H2 in / mm	H3 in / mm	H4 in / mm	H5 in / mm
FRC-1/8-D-MINI-...	M36 x 1.5	M4	0.17 / 4.3	1.54 / 39	1.50 / 38	0.79 / 20	1.69 / 43	1.38 / 35	0.43 / 11	0.69 / 17.5
FRC-1/4-D-MINI-...	M36 x 1.5	M4	0.17 / 4.3	1.54 / 39	1.50 / 38	0.79 / 20	1.69 / 43	1.38 / 35	0.43 / 11	0.69 / 17.5
FRC-3/8-D-MINI-...	M36 x 1.5	M4	0.17 / 4.3	1.54 / 39	1.50 / 38	0.79 / 20	1.69 / 43	1.38 / 35	0.43 / 11	0.69 / 17.5
FRC-3/8-D-MIDI-...	M52 x 1.5	M5	0.21 / 5.3	2.01 / 51	2.05 / 52	1.26 / 32	2.76 / 70	2.36 / 60	0.87 / 22	0.96 / 24.5
FRC-1/2-D-MIDI-...	M52 x 1.5	M5	0.21 / 5.3	2.01 / 51	2.05 / 52	1.26 / 32	2.76 / 70	2.36 / 60	0.87 / 22	0.96 / 24.5
FRC-3/4-D-MIDI-...	M52 x 1.5	M5	0.21 / 5.3	2.01 / 51	2.05 / 52	1.26 / 32	2.76 / 70	2.36 / 60	0.87 / 22	0.96 / 24.5
FRC-3/4-D-MAXI-...	M36 x 1.5	M5	0.21 / 5.3	2.01 / 51	2.56 / 65	1.26 / 32	2.76 / 70	2.36 / 60	0.87 / 22	0.96 / 24.5
FRC-1-D-MAXI-...	M36 x 1.5	M5	0.21 / 5.3	2.01 / 51	2.56 / 65	1.57 / 40	2.76 / 70	2.36 / 60	0.87 / 22	0.96 / 24.5
Type Inch and Metric Series	L1 in / mm	L2 in / mm	L3 in / mm	L4 in / mm	L5 min in / mm	L6 in / mm	T1 in / mm	1 mm	2 mm	
FRC-1/8-D-MINI-...	7.64 / 194	0.08 / 2	2.76 / 70	6.65 / 169	2.36 / 60	3.94 / 100	0.28 / 7	12	22	
FRC-1/4-D-MINI-...	7.64 / 194	0.08 / 2	2.76 / 70	6.65 / 169	2.36 / 60	3.94 / 100	0.28 / 7	12	22	
FRC-3/8-D-MINI-...	7.64 / 194	0.08 / 2	2.76 / 70	6.65 / 169	2.36 / 60	3.94 / 100	0.28 / 7	12	22	
FRC-3/8-D-MIDI-...	9.84 / 250	0.08 / 2	3.86 / 98	8.11 / 206	3.15 / 80	4.72 / 120	0.31 / 8	14	24	
FRC-1/2-D-MIDI-...	9.84 / 250	0.08 / 2	3.86 / 98	8.11 / 206	3.15 / 80	4.72 / 120	0.31 / 8	14	24	
FRC-3/4-D-MIDI-...	9.84 / 250	0.08 / 2	3.86 / 98	8.11 / 206	3.15 / 80	4.72 / 120	0.31 / 8	14	24	
FRC-3/4-D-MAXI-...	9.92 / 252	0.08 / 2	3.23 / 82	8.78 / 223	3.54 / 90	5.91 / 150	0.31 / 8	14	24	
FRC-1-D-MAXI-...	9.92 / 252	0.08 / 2	3.23 / 82	8.78 / 223	3.54 / 90	5.91 / 150	0.31 / 8	14	24	

# Product Range and Company Overview

## A Complete Suite of Automation Services

Our experienced engineers provide complete support at every stage of your development process, including: conceptualization, analysis, engineering, design, assembly, documentation, validation, and production.



**Custom Automation Components**  
Complete custom engineered solutions



**Custom Control Cabinets**  
Comprehensive engineering support and on-site services



**Complete Systems**  
Shipment, stocking and storage services

## The Broadest Range of Automation Components

With a comprehensive line of more than 30,000 automation components, Festo is capable of solving the most complex automation requirements.



**Electromechanical**  
Electromechanical actuators, motors, controllers & drives



**Pneumatics**  
Pneumatic linear and rotary actuators, valves, and air supply



**PLCs and I/O Devices**  
PLC's, operator interfaces, sensors and I/O devices

## Supporting Advanced Automation... As No One Else Can!

Festo is a leading global manufacturer of pneumatic and electromechanical systems, components and controls for industrial automation, with more than 12,000 employees in 56 national headquarters serving more than 180 countries. For more than 80 years, Festo has continuously elevated the state of manufacturing with innovations and optimized motion control solutions that deliver higher performing, more profitable automated manufacturing and processing equipment. Our dedication to the advancement of automation extends beyond technology to the education and development of current and future automation and robotics designers with simulation tools, teaching programs, and on-site services.

## Quality Assurance, ISO 9001 and ISO 14001 Certifications

Festo Corporation is committed to supply all Festo products and services that will meet or exceed our customers' requirements in product quality, delivery, customer service and satisfaction.

To meet this commitment, we strive to ensure a consistent, integrated, and systematic approach to management that will meet or exceed the requirements of the ISO 9001 standard for Quality Management and the ISO 14001 standard for Environmental Management.



© Copyright 2008, Festo Corporation. While every effort is made to ensure that all dimensions and specifications are correct, Festo cannot guarantee that publications are completely free of any error, in particular typing or printing errors. Accordingly, Festo cannot be held responsible for the same. For Liability and Warranty conditions, refer to our "Terms and Conditions of Sale", available from your local Festo office. All rights reserved. No part of this publication may be reproduced, distributed, or transmitted in any form or by any means, electronic, mechanical, photocopying or otherwise, without the prior written permission of Festo. All technical data subject to change according to technical update.



Printed on recycled paper at New Horizon Graphic, Inc., FSC certified as an environmentally friendly printing plant.

# Festo North America

## United States

**Customer Resource Center**  
502 Earth City Expy., Suite 125  
Earth City, MO 63045

For ordering assistance, or to find  
your nearest Festo Distributor,

**Call:** 1.800.99.FESTO

**Fax:** 1.800.96.FESTO

**Email:** customer.service@us.festo.com

For technical support,

**Call:** 1.866.GO.FESTO

**Fax:** 1.800.96.FESTO

**Email:** product.support@us.festo.com

### Headquarters

Festo Corporation  
395 Moreland Road  
P.O. Box 18023  
Hauppauge, NY 11788  
[www.festo.com/us](http://www.festo.com/us)

---

### Sales Offices

#### Appleton

N. 922 Tower View Drive, Suite N  
Greenville, WI 54942

#### Boston

120 Presidential Way, Suite 330  
Woburn, MA 01801

#### Chicago

1441 East Business Center Drive  
Mt. Prospect, IL 60056

#### Dallas

1825 Lakeway Drive, Suite 600  
Lewisville, TX 75057

#### Detroit - Automotive Engineering Center

2601 Cambridge Court, Suite 320  
Auburn Hills, MI 48326

#### New York

395 Moreland Road  
Hauppauge, NY 11788

#### Silicon Valley

4935 Southfront Road, Suite F  
Livermore, CA 94550

## Design and Manufacturing Operations



**East:** 395 Moreland Road, Hauppauge, NY 11788



**Central:** 1441 East Business Center Drive, Mt. Prospect, IL 60056



**West:** 4935 Southfront Road, Suite F, Livermore, CA 94550

---

## Mexico

### Headquarters

Festo Pneumatic, S.A.  
Av. Ceylán 3, Col. Tequesquahuac  
54020 Tlalnepantla, Edo. de México  
**Call:** 011 52 [55] 53 21 66 00  
**Fax:** 011 52 [55] 53 21 66 65  
**Email:** festo.mexico@mx.festo.com  
[www.festo.com/mx](http://www.festo.com/mx)



---

## Canada

### Headquarters

Festo Inc.  
5300 Explorer Drive  
Mississauga, Ontario L4W 5G4  
**Call:** 1.905.624.9000  
**Fax:** 1.905.624.9001  
**Email:** info.ca@ca.festo.com  
[www.festo.com/ca](http://www.festo.com/ca)



---

## Festo Worldwide

Argentina Australia Austria Belarus Belgium Brazil Bulgaria Canada Chile China Colombia Croatia Czech Republic Denmark  
Estonia Finland France Germany Great Britain Greece Hong Kong Hungary India Indonesia Iran Ireland Israel Italy Japan  
Latvia Lithuania Malaysia Mexico Netherlands New Zealand Norway Peru Philippines Poland Romania Russia Serbia Singapore  
Slovakia Slovenia South Africa South Korea Spain Sweden Switzerland Taiwan Thailand Turkey Ukraine United States Venezuela

[www.festo.com](http://www.festo.com)