

Air reservoirs

FESTO

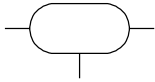



Data sheet


Function
CRVZS-0.1/0.4/0.75/2



CRVZS-5/10/20
With condensate drain



•  Temperature range
10 ... +100°C

•  Operating pressure
-0.95 ... 16 bar



- Compensation of pressure fluctuations and as accumulators in the event of sudden air consumption
- Providing large volumes of compressed air for supplying fast-pulsing drives
- Delay times for pressure build-up can be achieved in combination with flow control valves

Technical data

Type	CRVZS-0.1	CRVZS-0.4	CRVZS-0.75	CRVZS-2	CRVZS-5	CRVZS-10	CRVZS-20
Pneumatic connection	G1/8	G1/4		G1/2	G1		
Condensate drain connection	-				G3/8		
Type of mounting	Fixing clips			Via through-hole			
Mounting position	Any				Condensate drain underneath		
Volume [l]	0.1 ±20%	0.4 ±20%	0.75 ±20%	2 ±10%	5 ±10%	10 ±10%	20 ±10%
Weight [g]	226	543	736	1681	3581	6459	10208

† - Note: This product conforms to ISO 1179-1 and ISO 228-1.

Operating and environmental conditions

Type	CRVZS-0.1	CRVZS-0.4	CRVZS-0.75	CRVZS-2	CRVZS-5	CRVZS-10	CRVZS-20
Operating pressure [MPa]	-0.095 ... +1.6						
[bar]	-0.95 ... +16						
Operating medium	Compressed air to ISO 8573-1:2010 [-:-:-]						
	Nitrogen						
Ambient temperature [°C]	-10 ... +100 (observe operating range of tubing and piping)						
Temperature of medium [°C]	-10 ... +100 (observe operating range of tubing and piping)						
Corrosion resistance class CRC ¹⁾	3						
Conforms to standard	AD 2000						
CE marking (see declaration of conformity) ²⁾	-				To EU Pressure Equipment Directive		
Food-safe ²⁾	See supplementary material information						
Certification ²⁾	German Technical Control Board (TÜV)						
	CRN						
Certificate issuing authority	TSSACRN0H17477.5C				CRN0H15669.5C		

1) Corrosion resistance class CRC 3 to Festo standard FN 940070

High corrosion stress. Outdoor exposure under moderate corrosive conditions. External visible parts with primarily functional surface requirements which are in direct contact with a normal industrial environment.

2) Additional information: www.festo.com/catalogue/crvzs → Support/Downloads.

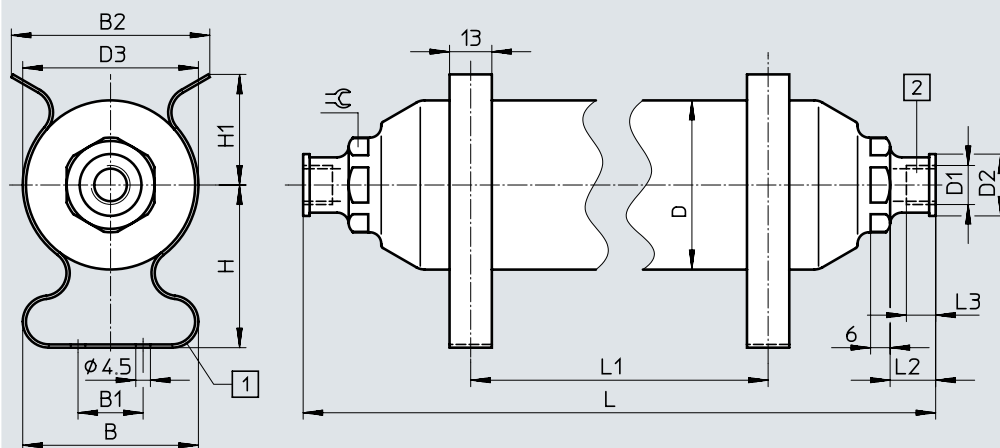
Data sheet

Materials		CRVZS-0.1	CRVZS-0.4	CRVZS-0.75	CRVZS-2	CRVZS-5	CRVZS-10	CRVZS-20	
Type									
Air reservoirs		High-alloy stainless steel							
Fixing clips		High-alloy stainless steel				-			
Note on materials		Free of copper and PTFE							
		RoHS-compliant							

Dimensions

Download CAD data → www.festo.com

CRVZS-0.1/CRVZS-0.4/CRVZS-0.75



- [1] Fixing clips
- [2] Max. tightening torque for connecting thread
→ table below

Type	B ±2	B1	B2 ±2	D ∅	D1	D2 ∅	D3 ∅	H ±1	H1 ±1
CRVZS-0.1	51	14	-	40	G1/8	15	42	43	28
CRVZS-0.4	54	14	-	52	G1/4	19	54	50	34
CRVZS-0.75	60	20	79	70	G1/4	19	72	61	34

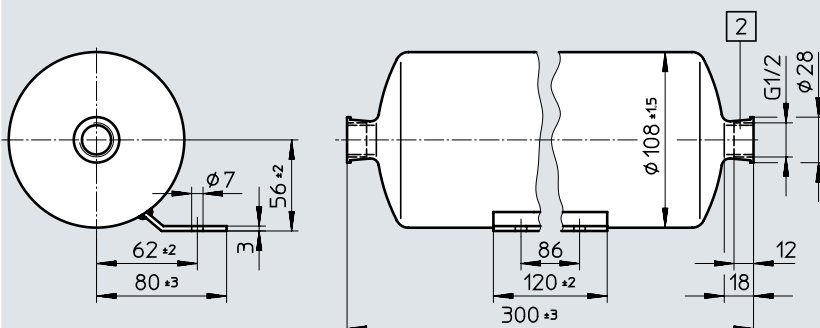
Type	L ±1	L1		L2	L3	=C	Max. tightening torque Connecting thread [Nm]
		min.	max.				
CRVZS-0.1	132	13	50	10	6	19	15
CRVZS-0.4	240	13	150	14	9	27	23
CRVZS-0.75	248	13	140	14	9	27	23

Note: This product conforms to ISO 1179-1 and ISO 228-1.

Dimensions

Download CAD data → www.festo.com

CRVZS-2



- [2] Max. tightening torque for connecting thread: 55 Nm

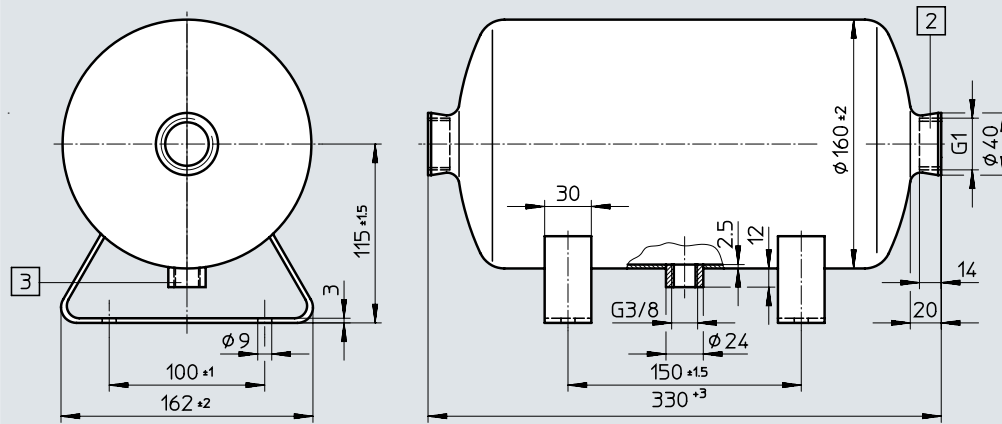
Note: This product conforms to ISO 1179-1 and ISO 228-1.

Data sheet

Dimensions

Download CAD data → www.festo.com

CRVZS-5



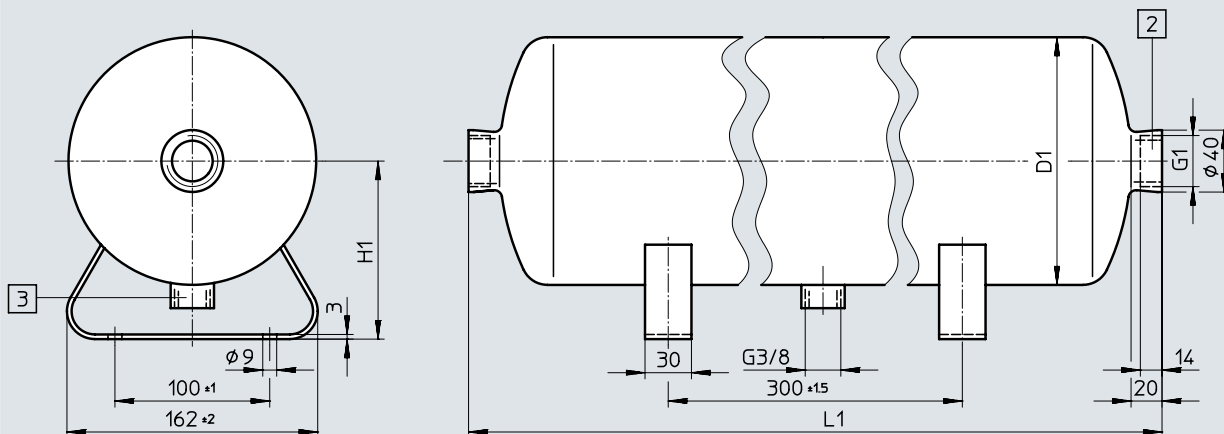
- [2] Max. tightening torque for connecting thread: 130 Nm
- [3] Max. tightening torque for condensate drain 27 Nm

Note: This product conforms to ISO 1179-1 and ISO 228-1.

Dimensions

Download CAD data → www.festo.com

CRVZS-10/CRVZS-20



- [2] Max. tightening torque for connecting thread
→ table below

- [3] Max. tightening torque for condensate drain
→ table below

Type	D1 ±2	H1 ±1.5	L1 ±3	Max. tightening torque	
				Connecting thread [Nm]	Condensate drain [Nm]
CRVZS-10	160	115	558	130	27
CRVZS-20	194	136	740	130	27

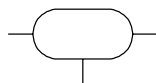
Note: This product conforms to ISO 1179-1 and ISO 228-1.


Ordering data


Volume [l]	Part no.	Type	Volume [l]	Part no.	Type
0.1 ±20%	160233	CRVZS-0.1	5 ±10%	192159	CRVZS-5
0.4 ±20%	160234	CRVZS-0.4	10 ±10%	160237	CRVZS-10
0.75 ±20%	160235	CRVZS-0.75	20 ±10%	534845	CRVZS-20
2 ±10%	160236	CRVZS-2			

Data sheet

Function
With condensate drain



-  - Temperature range
-10 ... +100°C

-  - Operating pressure
-0.95 ... 16 bar



- Compensation of pressure fluctuations and as accumulators in the event of sudden air consumption
- Providing large volumes of compressed air for supplying fast-pulsing drives
- Delay times for pressure build-up can be achieved in combination with flow control valves

Technical data	
Type	VZS-20-B
Pneumatic connection	G1
Condensate drain connection	G3/8
Type of mounting	Via through-hole
Mounting position	Condensate drain underneath
Volume [l]	20 ±10%
Weight [g]	8600

† Note: This product conforms to ISO 1179-1 and ISO 228-1.

Operating and environmental conditions	
Type	VZS-20-B
Operating pressure [MPa]	-0.095 ... +1.6
[bar]	-0.95 ... +16
Operating medium	Compressed air to ISO 8573-1:2010 [-:-:-] Nitrogen
Ambient temperature [°C]	-10 ... +100 (observe operating range of tubing and piping)
Temperature of medium [°C]	-10 ... +100 (observe operating range of tubing and piping)
Corrosion resistance class CRC ¹⁾	4
Conforms to standard	EN 286-1
CE marking (see declaration of conformity)	To EU Simple Pressure Vessels Directive

1) Corrosion resistance class CRC 4 to Festo standard FN 940070

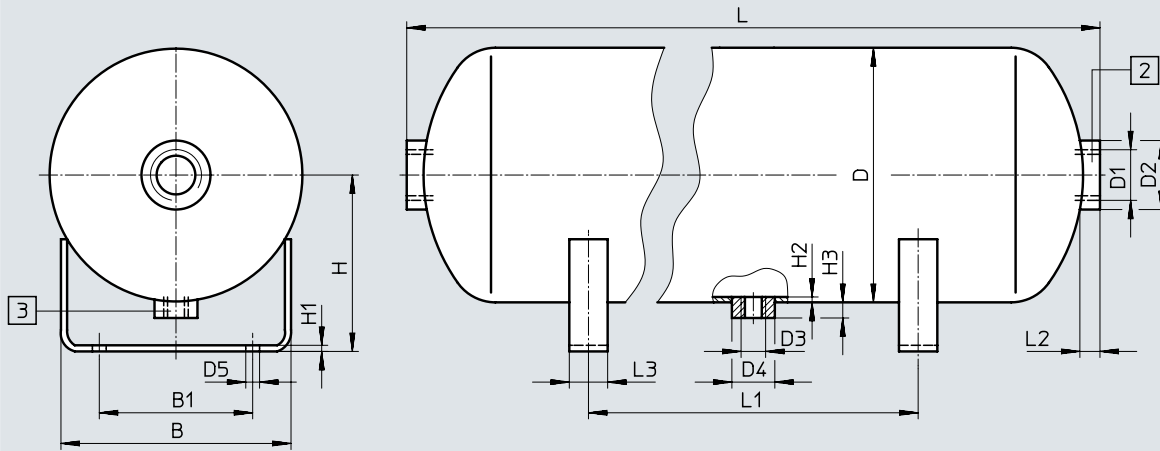
Particularly high corrosion stress. Outdoor exposure under extreme corrosive conditions. Parts exposed to aggressive media, e.g. in the chemical or food industries. Such applications may need to be safeguarded by means of special testing (→ also FN 940082), using appropriate media.

Materials	
Air reservoirs	Steel, painted
Note on materials	Free of copper and PTFE

Data sheet

Dimensions

Download CAD data → www.festo.com



[2] Max. tightening torque for connecting thread
→ table below

[3] Max. tightening torque for condensate drain
→ table below

Type	B ±2	B1 ±1	D ±4 ∅	D1	D2 ∅	D3	D4 ∅	D5 ±0.5 ∅	H ±1.5	H1
VZS-20-B	150	100	206	G1	44.5	G3/8	28	9	146.5	4

Type	H2 min.	H3	L ±6	L1 ±1.5	L2	L3	Max. tightening torque	
							Connecting thread [Nm]	Condensate drain [Nm]
VZS-20-B	2	12	696	300	18	25	130	27

Note: This product conforms to ISO 1179-1 and ISO 228-1.

Ordering data

Volume [l]	Part no.	Type
20 ±10%	192161	VZS-20-B

Festo - Your Partner in Automation



1 Festo Inc.
5300 Explorer Drive
Mississauga, ON L4W 5G4
Canada

Festo Customer Interaction Center
Tel: 1 877 463 3786
Fax: 1 877 393 3786
Email: customer.service.ca@festo.com



2 Festo Pneumatic
Av. Ceylán 3,
Col. Tequesquináhuac
54020 Tlalnepantla,
Estado de México

Multinational Contact Center
01 800 337 8669
ventas.mexico@festo.com



3 Festo Corporation
1377 Motor Parkway
Suite 310
Islandia, NY 11749

Festo Customer Interaction Center
1 800 993 3786
1 800 963 3786
customer.service.us@festo.com



4 Regional Service Center
7777 Columbia Road
Mason, OH 45040

Connect with us



www.festo.com/socialmedia



www.festo.com

Subject to change