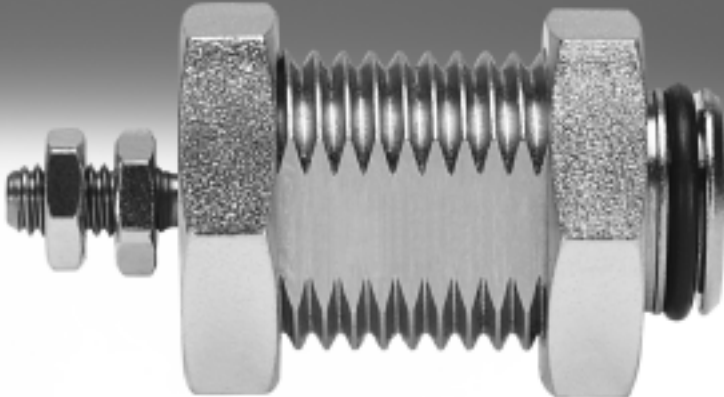
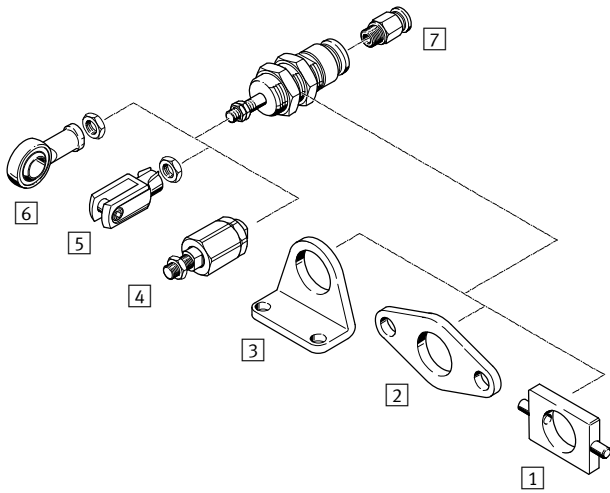


Cartridge cylinders EGZ

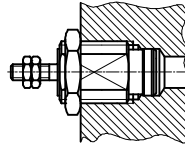


Cartridge cylinders EGZ

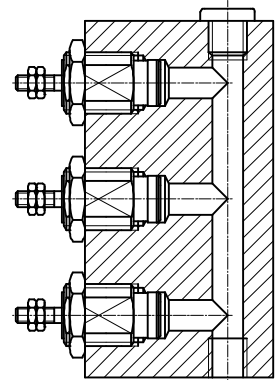
Peripherals overview and type codes



Installation without mounting attachments



Minimal installation space required



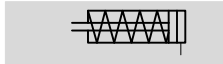
Mounting attachments and accessories					
	Description	Piston Ø 6 mm	Piston Ø 10 mm	Piston Ø 16 mm	→ Page/Internet
1	Swivel mounting WBN	-	■	■	6
2	Flange mounting FBN	-	■	■	5
3	Foot mounting HBN	-	■	■	5
4	Self-aligning rod coupler FK	-	■	■	6
5	Rod clevis SG	-	■	-	6
6	Rod eye SGS	-	■	-	6
7	Push-in fitting QS	■	■	■	qs

EGZ		-	16	-	10
Type					
Single acting, pushing					
EGZ	Cartridge cylinder				
Piston Ø [mm]					
Stroke [mm]					

Cartridge cylinders EGZ

Technical data

Function



- \varnothing - Diameter
6 ... 16 mm
- | - Stroke length
5 ... 15 mm



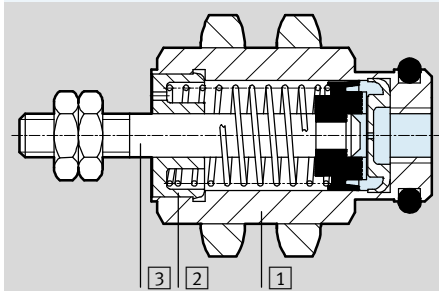
General technical data			
Piston \varnothing	6	10	16
Pneumatic connection	M3	M5	M5
End of piston rod Male thread	M3	M4	M5
Operating medium	Compressed air in accordance with ISO 8573-1:2010 [7:-:-]		
Constructional design	Piston Piston rod		
Cushioning	None		
Position sensing	None		
Type of mounting	With lock nut With accessories		
Mounting position	Any		

Operating and environmental conditions			
Piston \varnothing	6	10	16
Operating pressure [bar]	2 ... 8		
Ambient temperature [°C]	-20 ... +80		

Forces and permitted applied load [N]									
Piston \varnothing	6			10			16		
Stroke	5	10	15	5	10	15	5	10	15
Theoretical force at 6 bar, advancing	14			42			109		
Spring return force	1.5	2.1	1.6	4	3.5	3	10	8.8	7.5
Maximum applied load at the piston rod	0.10			0.15			0.20		

Materials

Sectional view



Cylinder	
1	Housing Brass, nickel-plated
2	Cover Polyacetal
3	Piston rod High-alloy steel
-	Note on materials Conforms to RoHS

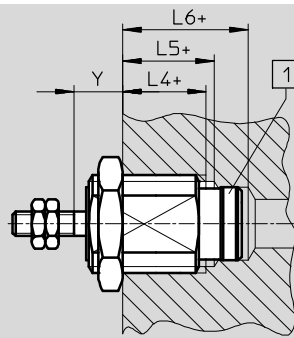
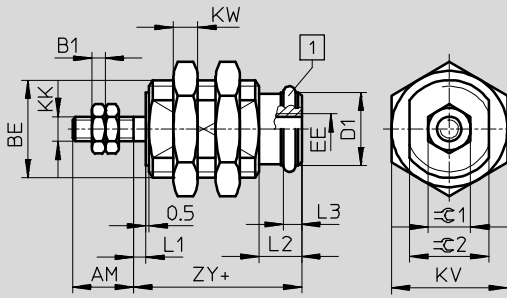
Cartridge cylinders EGZ

Technical data

FESTO

Dimensions

Download CAD data → www.festo.com



1 O-ring
+ = plus stroke length

∅	AM	B1	BE	D1 ∅ H7/f8	EE	KK	KV	KW	L1	L2	L3
[mm]							h13				
6 ¹⁾	7	1.8	M10x1	7.6	M3	M3	13	3.5	1.5	6	2.4
6 ²⁾											
10	10	2.2	M16x1.5	12	M5	M4	19	4	2	7	3
16	12	2.7	M22x1.5	18.5	M5	M5	27	5	2	9	3.5

∅	L4 -Y +1	L5 -Y -1	L6 -Y +1	Y		ZY	⌀C1 h13	⌀C2 h13
				min.	max. + stroke			
[mm]								
6 ¹⁾	9	11	15.5	6	5	15	5.5	8
6 ²⁾	11	13	17.5	6	7	17		
10	11	13	18.5	7	6	17.5	7	13
16	13	16	21	8	6	20.5	8	19

- 1) 5 mm stroke
2) 10 and 15 mm stroke

Ordering data¹⁾

Stroke [mm]	Part No.	Type	Stroke [mm]	Part No.	Type
Piston ∅ 6 mm			Piston ∅ 10 mm		
5	15033	EGZ-6-5	5	15036	EGZ-10-5
10	15034	EGZ-6-10	10	15037	EGZ-10-10
15	15035	EGZ-6-15	15	15038	EGZ-10-15
Piston ∅ 16 mm					
5	15039	EGZ-16-5			
10	15040	EGZ-16-10			
15	15041	EGZ-16-15			

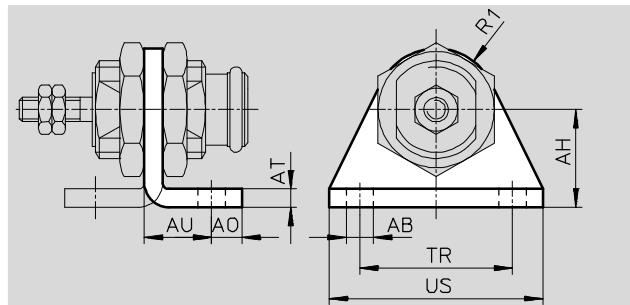
1) Two hex nuts each for the male cylinder thread and for the piston thread are included in the scope of delivery.

Cartridge cylinders EGZ

Accessories

Foot mounting HBN for piston \varnothing 10, 16 mm

Material:
Steel
Free of copper and PTFE
RoHS-compliant

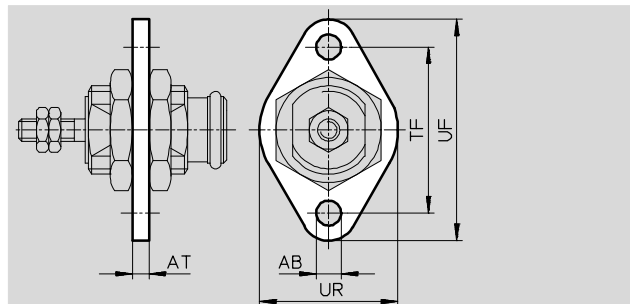


Dimensions and ordering data													
For \varnothing	Minimum stroke lengths	AB \varnothing	AH	AO	AT	AU	R1	TR	US	CRC ¹⁾	Weight [g]	Part No.	Type
10	5	5.5	20	6	4	14	13	32	42	1	43	5125	HBN-12/16X1
16	7	6.6	25	8	5	17	20	40	54	1	95	5127	HBN-20/25X1

1) Corrosion resistance class CRC 1 to Festo standard FN 940070
Low corrosion stress. For dry indoor applications or transport and storage protection. Also applies to parts behind covers, in the non-visible interior area, and parts which are covered in the application (e.g. drive trunnions).

Flange mounting FBN for piston \varnothing 10, 16 mm

Material:
Steel
Free of copper and PTFE



Dimensions and ordering data										
For \varnothing	Minimum stroke lengths	AB \varnothing	AT	TF	UF	UR	CRC ¹⁾	Weight [g]	Part No.	Type
10	5	5.5	4	40	53	30	1	26	5130	FBN-12/16
16	7	6.6	5	50	68	40	1	52	5131	FBN-20/25

1) Corrosion resistance class CRC 1 to Festo standard FN 940070
Low corrosion stress. For dry indoor applications or transport and storage protection. Also applies to parts behind covers, in the non-visible interior area, and parts which are covered in the application (e.g. drive trunnions).

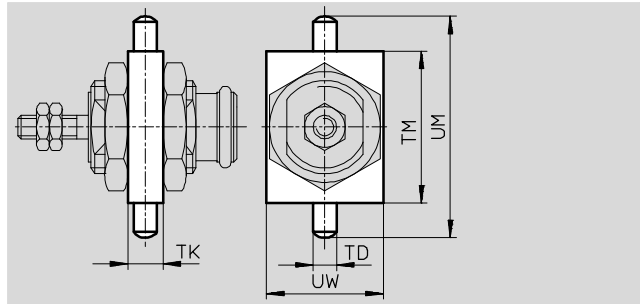
Cartridge cylinders EGZ

Accessories



Swivel mounting WBN for piston Ø 10, 16 mm

Material:
Galvanised steel
Free of copper and PTFE
RoHS-compliant



Dimensions and ordering data									
For Ø	Minimum stroke lengths	TD Ø -0.01/-0.05	TK	TM	UM	UW	Weight [g]	Part No.	Type
10	9	6	8	38	58	25	51	8609	WBN-12/16
16	10	6	8	46	66	30	67	8610	WBN-20/25

Ordering data – Piston rod attachments				Technical data → Internet: piston-rod attachment			
Designation	For Ø	Part No.	Type	Designation	For Ø	Part No.	Type
Rod eye SGS				Rod clevis SG			
	10	9253	SGS-M4		10	6532	SG-M4
Self-aligning rod coupler FK							
	10	6528	FK-M4				
	16	30984	FK-M5				