

Accessories for electrical positioning systems



Accessories for electrical positioning systems

Key features

FESTO

At a glance

Bellocks couplings EAMC

→ 3



- One-piece couplings are suitable for force-locked and backlash-free transmission of small and medium torques between electric motors and axes
- System product for positioning technology
- Outside diameter 15 and 19 mm

Gear couplings EAMC

→ 5



- Three-piece couplings are suitable for force-locked and backlash-free transmission of high torques between electric motors and axes
- System product for positioning technology
- Outside diameter 15, 16, 20, 30, 40, 42, 56, 65 mm

Gear couplings EAMD, with expanding mandrel

→ 10



- Three-piece couplings are suitable for force-locked and backlash-free transmission of high torques between electric motors and axes
- System product for positioning technology
- Outside diameter 16, 19, 25, 32, 42, 56, 67 mm

Connecting shafts KSK

→ 13



Electric axes are often combined to form multi-axis systems. It is particularly important when designing gantry systems with a long gantry axis

Range of applications:

- For synchronising toothed belt axes DGE and EGC
- For torsion-resistant transmission of the necessary torque
- For slip-free transmission of an identical feed speed
- For compensating tolerances and alignment errors between two axes

and heavy loads that the two basic axes be driven synchronously. For these systems, two axes with toothed

belt drive are generally coupled with a shared motor and synchronised using a connecting shaft.

Technical data for toothed belt axis:

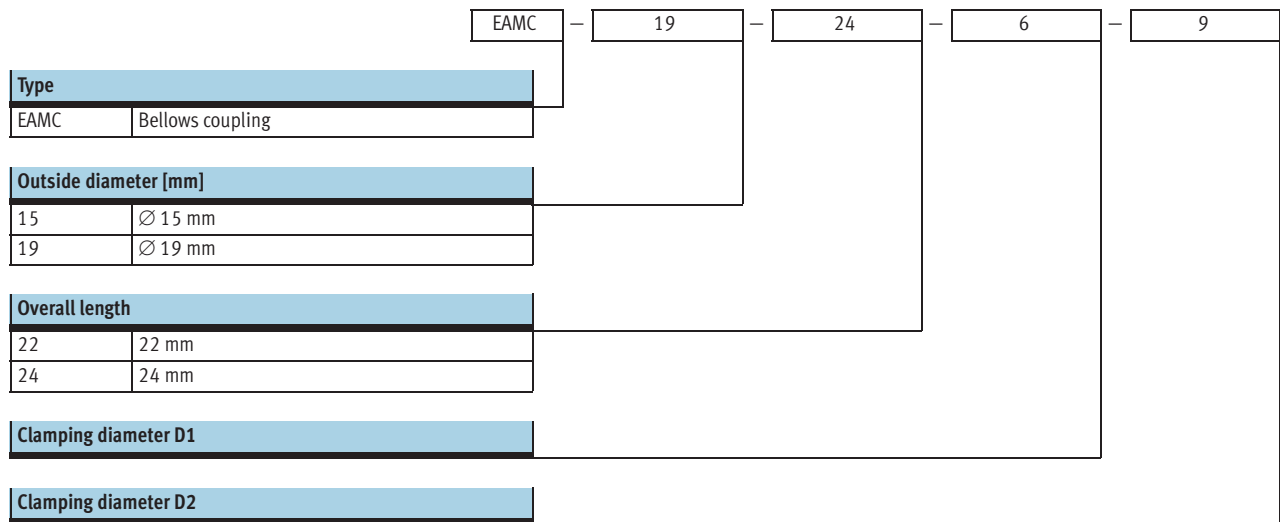
- DGE-ZR-KF → 14
- EGC-TB-KF → 16
- ELGA-TB-RF → 18

Couplings EAMC

Type codes

Bellows couplings EAMC

Type codes



Couplings EAMC

Technical data

FESTO

Bellows coupling EAMC

-N- Diameter
15 and 19 mm

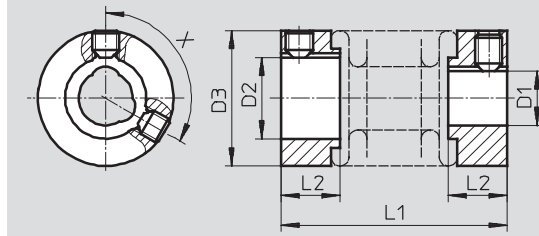


General technical data		
Type	EAMC-15	EAMC-19
Mass moment of inertia [kg mm ²]	0.13	0.47
Tightening torque for clamping screw [Nm]	1.5	1.5
Max. rotational speed [rpm]	12,000	8,000
Corrosion resistance class CRC ¹⁾	1	
Materials	Hubs	Aluminium
	Bellows	Stainless steel
Note on materials	RoHS-compliant	

1) Corrosion resistance class 1 according to Festo standard 940 070
Components subject to low corrosion stress. Transport and storage protection. Parts that do not have primarily decorative surface requirements, e.g. in internal areas that are not visible or behind covers.

Dimensions and ordering data

Download CAD Data → www.festo.com/us/cad



∅	D1	D2	D3	L1	L2	X	Transferable torque	Weight	Part No.	Type
[mm]	∅ H7	∅ H7	∅			[°]	[Nm]	[g]		
15	4	5	15	22	6.5	–	1	6	530084	EAMC-15-22-4-5
	4	6	15	22	6.5	–	1	6	540750	EAMC-15-22-4-6
	4	9	15	22	6.5	–	1	6	184262	EAMC-15-22-4-9
	5	5	15	22	6.5	–	1	6	530085	EAMC-15-22-5-5
	5	6	15	22	6.5	–	1	6	540751	EAMC-15-22-5-6
	5	9	15	22	6.5	–	1	6	529953	EAMC-15-22-5-9
19	6	6	19	24	7.5	120	1.5	12	184265	EAMC-19-24-6-6
	6	6.35	19	24	7.5	120	1.5	12	530086	EAMC-19-24-6-6.35
	6	9	19	24	7.5	120	1.5	12	184263	EAMC-19-24-6-9
	6	10	19	24	7.5	120	1.5	12	1450210	EAMC-19-24-6-10

Couplings EAMC

Type codes

Gear couplings EAMC

Type codes

EAMC - 42 - 50 - 14 - 20

Type	
EAMC	Gear coupling

Outside Ø [mm]	
15	Ø 15 mm
16	Ø 16 mm
19	Ø 19 mm
20	Ø 20 mm
30	Ø 30 mm
40	Ø 40 mm
42	Ø 42 mm
56	Ø 56 mm
65	Ø 65 mm
67	Ø 67 mm

Overall length	
20	20 mm
24	24 mm
30	30 mm
32	32 mm
35	35 mm
50	50 mm
58	58 mm
62	62 mm
66	66 mm
90	90 mm

Clamping Ø D1

Clamping Ø D2

Couplings EAMC

Technical data

FESTO

Gear coupling EAMC

-N- Diameter
15 ... 67 mm



General technical data		EAMC-15-20	EAMC-16-20	EAMC-19-24	EAMC-20-30	EAMC-30-32	EAMC-30-35
Type							
Mass moment of inertia	[kg mm ²]	0.23	0.3	0.47	1.06	5.87	6.1
Tightening torque for clamping screw	[Nm]	1.3	0.6	1.5	0.76	4	2.9
Max. rotational speed	[rpm]	10,000	10,000	8,000	9,000	8,000	8,000
Corrosion resistance class CRC ¹⁾		1					
Materials	Hubs	Aluminium					
	Ring gear	Polyurethane					
Note on materials		RoHS-compliant					

Type	EAMC-40-66	EAMC-42-50	EAMC-42-66	EAMC-56-58	EAMC-65-90	EAMC-67-62	
Mass moment of inertia	[kg mm ²]	42.3	35	45.5	128	417	280
Tightening torque for clamping screw	[Nm]	10.5	8	8	15	25	35
Max. rotational speed	[rpm]	6,500	6,000	6,000	5,500	4,500	4,500
Corrosion resistance class CRC ¹⁾		1					
Materials	Hubs	Aluminium					
	Ring gear	Polyurethane					
Note on materials		RoHS-compliant					

1) Corrosion resistance class 1 according to Festo standard 940 070
Components subject to low corrosion stress. Transport and storage protection. Parts that do not have primarily decorative surface requirements, e.g. in internal areas that are not visible or behind covers.

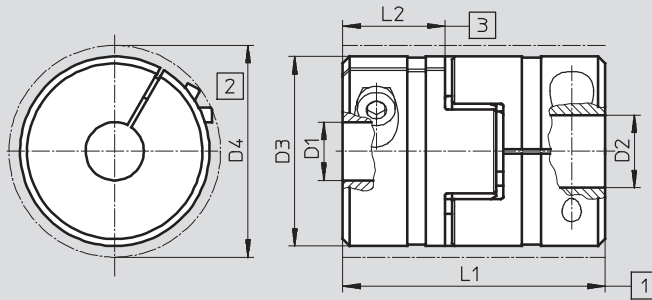
Couplings EAMC

Technical data

FESTO

Dimensions and ordering data

Download CAD Data → www.festo.com/us/cad



- 1 Nominal length with axial offset compensation
- 2 Min. installation \varnothing (interference profile of clamping screw)
- 3 Insertion depth

\varnothing [mm]	D1 \varnothing H7	D2 \varnothing H7	D3 \varnothing	D4 \varnothing	L1	L2	Transferable torque [Nm]	Weight [g]	Part No.	Type
15	5	6	15	-	20	6.5	1.5	8	533707	EAMC-15-20-5-6
16	3	5	16	17	20	6	0.2	8	562672	EAMC-16-20-3-5
	4	5	16	17	20	6	0.65	8	562674	EAMC-16-20-4-5
	4	6	16	17	20	6	0.65	8	562673	EAMC-16-20-4-6
	5	5	16	17	20	6	1.1	8	562676	EAMC-16-20-5-5
	5	6	16	17	20	6	1.1	8	543419	EAMC-16-20-5-6
	5	8	16	17	20	6	1.1	8	562677	EAMC-16-20-5-8
20	6	6	16	17	20	6	1.6	8	543420	EAMC-16-20-6-6
	5	6	20	24	30	10	2.2	20	558902	EAMC-20-30-5-6
	6	6	20	24	30	10	2.3	20	558901	EAMC-20-30-6-6
	6	10	20	24	30	10	2.3	20	1451964	EAMC-20-30-6-10
30	5	6	30	-	32	10	3.5	48	561333	EAMC-30-32-5-6
	5	8	30	-	32	10	3.5	48	562678	EAMC-30-32-5-8
	6	6	30	-	32	10	6.5	48	558312	EAMC-30-32-6-6
	6	6.35	30	-	32	10	6.5	48	551002	EAMC-30-32-6-6.35
	6	8	30	-	32	10	6.5	48	533708	EAMC-30-32-6-8
	6	9	30	-	32	10	6.5	48	551003	EAMC-30-32-6-9
	6.35	8	30	-	32	10	6.5	48	543421	EAMC-30-32-6.35-8
	6.35	10	30	-	32	10	6.5	48	562679	EAMC-30-32-6.35-10
	8	8	30	-	32	10	12.5	48	543422	EAMC-30-32-8-8
	8	9	30	-	32	10	12.5	48	543423	EAMC-30-32-8-9
	8	10	30	-	32	10	12.5	48	558029	EAMC-30-32-8-10
	8	11	30	-	32	10	12.5	48	551004	EAMC-30-32-8-11
	9	10	30	-	32	10	12.5	48	562680	EAMC-30-32-9-10
	10	11	30	-	32	10	12.5	48	565008	EAMC-30-32-10-11
	6	6	30	31.4	35	11	7.5	45	123040	EAMC-30-35-6-6
	6	6.35	30	31.4	35	11	7.5	45	530087	EAMC-30-35-6-6.35
	6	8	30	31.4	35	11	7.5	45	123041	EAMC-30-35-6-8
	6	9	30	31.4	35	11	7.5	45	530941	EAMC-30-35-6-9
	6	10	30	31.4	35	11	7.5	45	1453062	EAMC-30-35-6-10
	6	11	30	31.4	35	11	7.5	45	123843	EAMC-30-35-6-11
6	12	30	31.4	35	11	7.5	45	123855	EAMC-30-35-6-12	
6.35	8	30	31.4	35	11	7.5	45	530088	EAMC-30-35-6.35-8	
6.35	12	30	31.4	35	11	7.5	45	550995	EAMC-30-35-6.35-12	

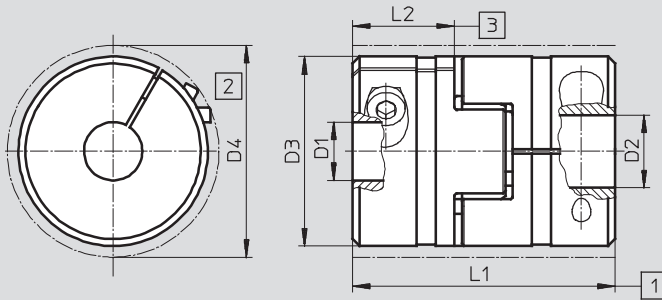
Couplings EAMC

Technical data

FESTO

Dimensions and ordering data

Download CAD Data → www.festo.com/us/cad



- 1) Nominal length with axial offset compensation
- 2) Min. installation \varnothing (interference profile of clamping screw)
- 3) Insertion depth

\varnothing [mm]	D1 \varnothing H7	D2 \varnothing H7	D3 \varnothing	D4 \varnothing	L1	L2	Transferable torque [Nm]	Weight [g]	Part No.	Type
30	8	8	30	31.4	35	11	8	45	123044	EAMC-30-35-8-8
	8	9	30	31.4	35	11	8	45	557390	EAMC-30-35-8-9
	8	10	30	31.4	35	11	8	45	123050	EAMC-30-35-8-10
	8	11	30	31.4	35	11	8	45	123042	EAMC-30-35-8-11
	8	12	30	31.4	35	11	8	45	123043	EAMC-30-35-8-12
	8	14	30	31.4	35	11	8	45	1453063	EAMC-30-35-8-14
	9	12	30	31.4	35	11	8.3	45	550996	EAMC-30-35-9-12
	10	12	30	31.4	35	11	8.6	45	552640	EAMC-30-35-10-12
	11	12	30	31.4	35	11	8.9	45	123051	EAMC-30-35-11-12
	12	12	30	31.4	35	11	9.4	45	123052	EAMC-30-35-12-12
40	9	12	40	45.7	66	25	17	139	1731999	EAMC-40-66-9-12
	10	12	40	45.7	66	25	17	139	1452794	EAMC-40-66-10-12
	11	11	40	45.7	66	25	17	139	530090	EAMC-40-66-11-11
	11	12	40	45.7	66	25	17	139	525864	EAMC-40-66-11-12
	11	14	40	45.7	66	25	17	139	1452798	EAMC-40-66-11-14
	11	15	40	45.7	66	25	17	139	550998	EAMC-40-66-11-15
	11	20	40	45.7	66	25	17	139	550999	EAMC-40-66-11-20
	12	14	40	45.7	66	25	17	139	1452803	EAMC-40-66-12-14
	12	15	40	45.7	66	25	17	139	123850	EAMC-40-66-12-15
	12	19	40	45.7	66	25	17	139	529952	EAMC-40-66-12-19
	12	20	40	45.7	66	25	17	139	123851	EAMC-40-66-12-20
	14	20	40	45.7	66	25	17	139	1452809	EAMC-40-66-14-20
	15	16	40	45.7	66	25	17	139	123846	EAMC-40-66-15-16
	15	19	40	45.7	66	25	17	139	123844	EAMC-40-66-15-19
	15	20	40	45.7	66	25	17	139	123845	EAMC-40-66-15-20
	15	24	40	45.7	66	25	17	139	176033	EAMC-40-66-15-24
	19	20	40	45.7	66	25	17	139	123847	EAMC-40-66-19-20
	20	20	40	45.7	66	25	17	139	123849	EAMC-40-66-20-20
	20	24	40	45.7	66	25	17	139	176034	EAMC-40-66-20-24
		XX ¹⁾	15	40	45.7	66	25	–	139	176036
	XX ¹⁾	20	40	45.7	66	25	–	139	176037	EAMC-40-66-XX-20

1) Hubs predrilled to \varnothing 5 mm. Hole max. 20 mm

2) Hubs predrilled to \varnothing 9.5 mm. Hole max. 38 mm

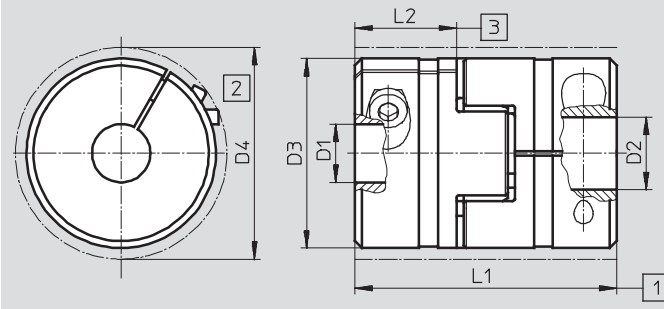
Couplings EAMC

Technical data

FESTO

Dimensions and ordering data

Download CAD Data → www.festo.com/us/cad



- 1) Nominal length with axial offset compensation
- 2) Min. installation \varnothing (interference profile of clamping screw)
- 3) Insertion depth

\varnothing [mm]	D1 \varnothing H7	D2 \varnothing H7	D3 \varnothing	D4 \varnothing	L1	L2	Transferable torque [Nm]	Weight [g]	Part No.	Type
42	9	12	42	44.5	50	17	17	138	1732001	EAMC-42-50-9-12
	10	12	42	44.5	50	17	17	138	1455666	EAMC-42-50-10-12
	11	12	42	44.5	50	17	17	138	543424	EAMC-42-50-11-12
	12	12	42	44.5	50	17	17	138	533709	EAMC-42-50-12-12
	12	14	42	44.5	50	17	17	138	1455671	EAMC-42-50-12-14
	12	19	42	44.5	50	17	17	138	551005	EAMC-42-50-12-19
	12	20	42	44.5	50	17	17	138	2138701	EAMC-42-50-12-20
	12	24	42	44.5	50	17	17	138	558314	EAMC-42-50-12-24
	14	20	42	44.5	50	17	17	138	533710	EAMC-42-50-14-20
	11	12	42	44.5	66	25	17	166	558313	EAMC-42-66-11-12
56	19	19	56	57	58	20	60	270	1485673	EAMC-56-58-19-19
	19	24	56	57	58	20	60	270	1485674	EAMC-56-58-19-24
	19	25	56	57	58	20	60	270	558315	EAMC-56-58-19-25
	24	25	56	57	58	20	60	270	558316	EAMC-56-58-24-25
65	15	24	65	72.6	90	35	80	535	530940	EAMC-65-90-15-24
	19	25	65	72.6	90	35	85	535	551000	EAMC-65-90-19-25
	20	25	65	72.6	90	35	85	535	176035	EAMC-65-90-20-25
	24	25	65	72.6	90	35	92	535	123852	EAMC-65-90-24-25
	25	25	65	72.6	90	35	92	535	123853	EAMC-65-90-25-25
	25	40	65	68	90	35	62	535	551001	EAMC-65-90-25-40
	XX ²⁾	25	65	72.6	90	35	-	535	176038	EAMC-65-90-XX-25
67	24	24	67	68	62	21	143	430	1451407	EAMC-67-62-24-24
	24	32	67	68	62	21	143	430	1485796	EAMC-67-62-24-32

- 1) Hubs predrilled to \varnothing 5 mm. Hole max. 20 mm
- 2) Hubs predrilled to \varnothing 9.5 mm. Hole max. 38 mm

Couplings EAMD

Type codes

Gear couplings EAMD, with expanding mandrel

Type codes

EAMD - 25 - 22 - 6,35 - 10 x 12

Type	
EAMD	Gear coupling with expanding mandrel

Outside Ø [mm]	
16	Ø 16 mm
19	Ø 19 mm
25	Ø 25 mm
28	Ø 28 mm
32	Ø 32 mm
42	Ø 42 mm
56	Ø 56 mm
67	Ø 67 mm

Overall length	
15	15 mm
22	22 mm
32	32 mm
40	40 mm
46	46 mm
51	51 mm
82	82 mm

Clamping Ø D1

Mandrel Ø D2

Mandrel length C2

Couplings EAMD

Technical data

FESTO

Gear coupling EAMD, with expanding mandrel

-N- Diameter
16 ... 67 mm



General technical data					
Type		EAMD-16-15	EAMD-19-15	EAMD-25-22	EAMD-28-22
Mass moment of inertia	[kg mm ²]	0.355	0.445	3.2	3.3
Tightening torque for clamping screw D1	[Nm]	0.6	0.6	2	2
Tightening torque for clamping screw D2	[Nm]	1	1	1.5	1.5
Max. rotational speed	[rpm]	10,000	10,000	8,000	8,000
Corrosion resistance class CRC ¹⁾		1			
Materials	Hubs	Aluminium			
	Ring gear	Polyurethane			
Note on materials		RoHS-compliant			

Type		EAMD-32-32	EAMD-42-40	EAMD-56-46	EAMD-67-51	EAMD-67-82
Mass moment of inertia	[kg mm ²]	14.5	39	147	374	831
Tightening torque for clamping screw D1	[Nm]	4	8	15	35	35
Tightening torque for clamping screw D2	[Nm]	7	8.5	14	60	60
Max. rotational speed	[rpm]	8,000	6,000	5,500	4,500	4,500
Corrosion resistance class CRC ¹⁾		1				
Materials	Hubs	Aluminium				
	Ring gear	Polyurethane				
Note on materials		RoHS-compliant				

1) Corrosion resistance class 1 according to Festo standard 940 070
Components subject to low corrosion stress. Transport and storage protection. Parts that do not have primarily decorative surface requirements, e.g. in internal areas that are not visible or behind covers.

Couplings EAMD

Technical data

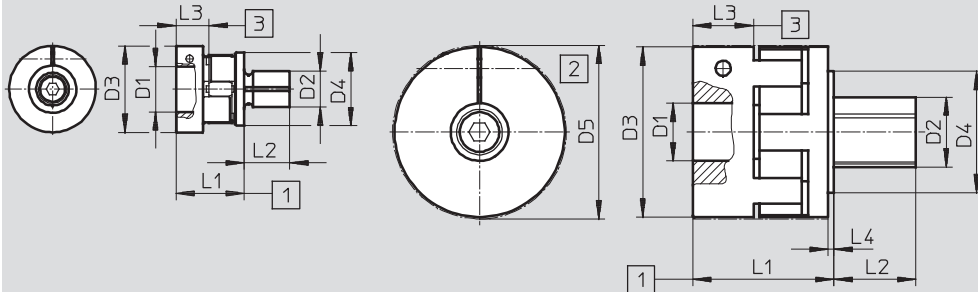
FESTO

Dimensions and ordering data

Download CAD Data → www.festo.com/us/cad

EAMD-16-.../EAMD-19-...

EAMD-...



- 1) Nominal length with axial offset compensation
- 2) Min. installation Ø (interference profile of clamping screw)
- 3) Insertion depth

Ø [mm]	D1 Ø H7	D2 Ø H7	D3 Ø	D4 Ø	D5 Ø	L1	L2	L3	L4	Transferable torque [Nm]	Weight [g]	Part No.	Type
16	6.35	8	16	16	-	15	10	6	-	1.6	13	561292	EAMD-16-15-6,35-8X10
19	9	8	19	16	-	15	10	6	-	2	13	557999	EAMD-19-15-9-8X10
	10	8	19	16	-	15	10	6	-	2	13	557998	EAMD-19-15-10-8X10
25	6.35	10	25	22	-	22	12	8	1	3.6	44	561293	EAMD-25-22-6,35-10X12
	10	10	25	22	-	22	12	8	1	9	44	1453860	EAMD-25-22-10-10X12
	11	10	25	22	-	22	12	8	1	9	44	558000	EAMD-25-22-11-10X12
28	14	10	28	22	-	22	12	8	1	9	49	1453861	EAMD-28-22-14-10X12
32	11	16	32	25	-	32	20	10	1.5	12.5	126	558001	EAMD-32-32-11-16X20
42	19	16	42	25	44.5	40	25	17	1.5	17	190	558002	EAMD-42-40-19-16X25
	20	16	42	25	44.5	40	25	17	1.5	17	190	1188350	EAMD-42-40-20-16X25
56	19	23	56	40	57	46	27	20	2	60	392	558003	EAMD-56-46-19-23X27
	20	23	56	40	57	46	27	20	2	60	392	558004	EAMD-56-46-20-23X27
	24	23	56	40	57	46	27	20	2	60	392	558005	EAMD-56-46-24-23X27
	25	23	56	40	57	46	27	20	2	60	392	1188801	EAMD-56-46-25-23X27
67	24	32	66.5	-	68	51	32	21	-	143	735	558008	EAMD-67-51-24-32X32
	25	32	66.5	-	68	51	32	21	-	150	735	558006	EAMD-67-51-25-32X32
	32	32	66.5	-	68	51	32	21	-	192	735	1379269	EAMD-67-51-32-32X32
	32	32	66.5	-	68	82	32	21	-	192	1,560	1379270	EAMD-67-82-32-32X32

Connecting shafts KSK

Type codes

For toothed belt axis DGE-...-ZR-KF

		KSK	25	800
Type				
KSK	Connecting shaft			
Size				
25	For toothed belt axis DGE-25-...-ZR-KF			
40	For toothed belt axis DGE-40-...-ZR-KF			
63	For toothed belt axis DGE-63-...-ZR-KF			
Nominal length L1				

For toothed belt axis EGC-...-TB-KF

		KSK	80	800
Type				
KSK	Connecting shaft			
Size				
50	For toothed belt axis EGC-50-...-TB-KF			
70	For toothed belt axis EGC-70-...-TB-KF			
80	For toothed belt axis EGC-80-...-TB-KF			
120	For toothed belt axis EGC-120-...-TB-KF			
185	For toothed belt axis EGC-185-...-TB-KF			
Nominal length L1				

For toothed belt axis ELGA-TB-RF-...

		KSK	80	1000
Type				
KSK	Connecting shaft			
Size				
A-70	For toothed belt axis ELGA-TB-RF-70-...			
80	For toothed belt axis ELGA-TB-RF-80-...			
120	For toothed belt axis ELGA-TB-RF-120-...			
Nominal length L1				

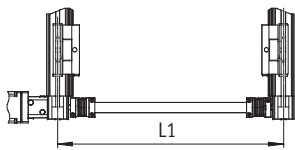
Connecting shafts KSK

Technical data

FESTO

Connecting shafts KSK for toothed belt axis DGE-ZR-KF

-N- Size
25, 40 and 63



Nominal length L1 = Centre-to-centre distance between the axes

The total mass is calculated as follows:

$$m_{\text{total}} = m_0 + m_L \times L1$$

The moment of inertia is calculated as follows:

$$J_{\text{total}} = J_0 + J_L \times L1$$

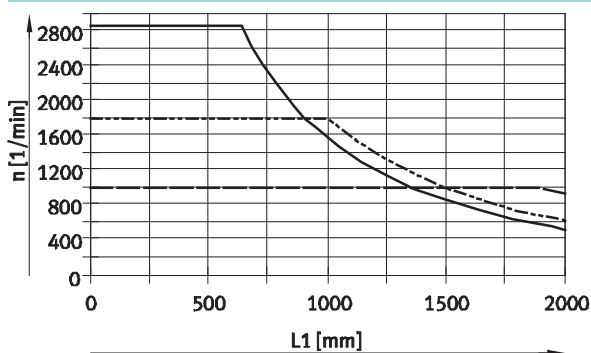
General technical data			
Size	25	40	63
Design	Connecting tube with a coupling at each end		
Mounting position	Horizontal (vertical on request)		
Nominal length L1 [mm]	200 ... 2,000	250 ... 2,000	350 ... 2,000
Basic moment of inertia J_0 at L1 = 0 mm [kg mm ²]	31	147	1,310
Additional moment of inertia J_L per 1 m nominal length [kg mm ² /m]	34	80	333
Max. permissible axial offset [mm]	±2		
Basic weight m_0 at L1 = 0 mm [kg]	0.22	0.36	1.8
Additional weight m_L per 1 m nominal length [kg/m]	0.32	0.48	0.8

Operating and environmental conditions	
Ambient temperature [°C]	-10 ... +60
Corrosion resistance class CRC ¹⁾	2
Note on materials	RoHS-compliant Contains PWIS (paint-wetting impairment substances)
Coupling materials	Hubs: Wrought aluminium alloy Bellows: High-alloy steel
Connecting tube materials	High-alloy steel

1) Corrosion resistance class 2 as per Festo standard 940 070

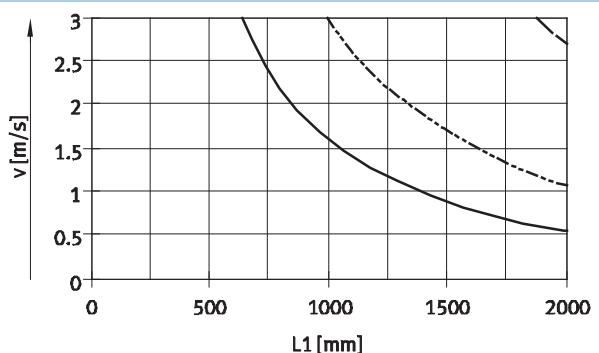
Components subject to moderate corrosion stress. Externally visible parts with primarily decorative surface requirements which are in direct contact with a normal industrial environment or media such as coolants or lubricating agents.

Max. rotational speed n as a function of nominal length L1



— KSK-25
- - - KSK-40
· · · KSK-63

Max. speed v as a function of nominal length L1



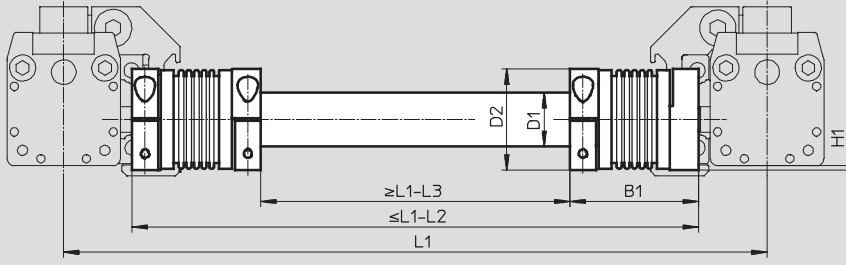
Connecting shafts KSK

Technical data

FESTO

Dimensions and ordering data

Download CAD Data → www.festo.com/us/cad



Size [mm]	B1	D1 ∅	D2 ∅	H1	L1	L2	L3	Part No.	Type
25	50	21.27	40	1.6	1)	51.4	156.4	196587	KSK-25-...
40	59	26.52	49	–		71.4	194.6	196588	KSK-40-...
63	94	41.6	81	–		114.6	308.6	196589	KSK-63-...

1) Centre-to-centre distance between the axes

Note

The nominal length L1 must be specified in the type code when ordering. The nominal length L1 indicates the centre-to-centre distance between the axes in this case.

Order example:
Two toothed belt axes
DGE-40-...-ZR-KF are to be linked
using a connecting shaft, nominal
length L1 = 1,000 mm.

The following connecting shaft is
required:
Type: KSK-40-1000
Part No.: 196 588

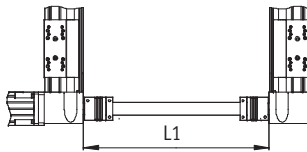
Connecting shafts KSK

Technical data

FESTO

Connecting shafts KSK for toothed belt axis EGC-TB-KF

-N- Size
50, 70, 80, 120 and 185



Nominal length L1 = Inside width
between the drive covers

The total mass is calculated
as follows:

$$m_{\text{total}} = m_0 + m_L \times L1$$

The moment of inertia is calculated
as follows:

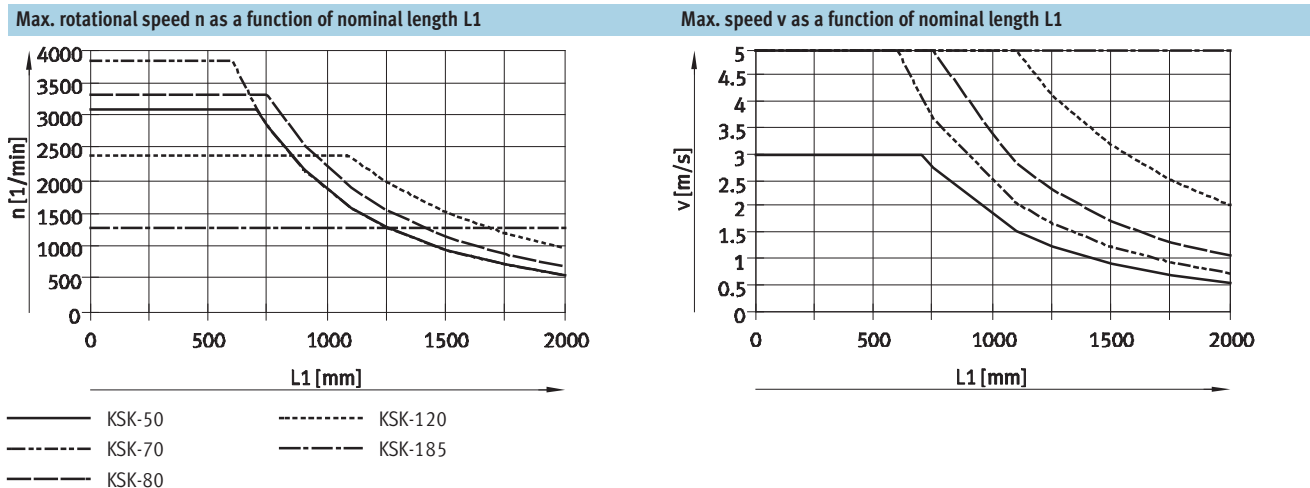
$$J_{\text{total}} = J_0 + J_L \times L1$$

General technical data					
Size	50	70	80	120	185
Design	Connecting tube with a coupling at each end as well as 2 journals for adapting the hollow shaft				
Mounting position	Horizontal (vertical on request)				
Nominal length L1 [mm]	200 ... 2,000			250 ... 2,000	350 ... 2,000
Basic moment of inertia J_0 at L1 = 0 mm [kg mm ²]	34	35	159	1,390	7,261
Additional moment of inertia J_L per 1 m nominal length [kg mm ² /m]	34	34	80	333	1,946
Max. permissible axial offset [mm]	±2				±5
Basic weight m_0 at L1 = 0 mm [kg]	0.28	0.29	0.53	2.28	5.29
Additional weight m_L per 1 m nominal length [kg/m]	0.32	0.32	0.48	0.8	1.89

Operating and environmental conditions	
Ambient temperature [°C]	-10 ... +60
Corrosion resistance class CRC ¹⁾	2
Note on materials	RoHS-compliant Contains PWIS (paint-wetting impairment substances)
Coupling materials	Hubs: Wrought aluminium alloy Bellows: High-alloy steel
Connecting tube materials	High-alloy steel

1) Corrosion resistance class 2 as per Festo standard 940 070

Components subject to moderate corrosion stress. Externally visible parts with primarily decorative surface requirements which are in direct contact with a normal industrial environment or media such as coolants or lubricating agents.



Connecting shafts KSK

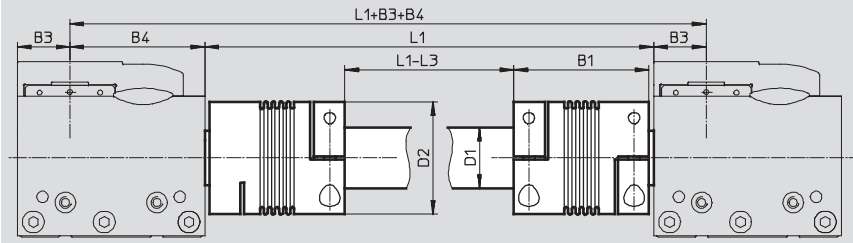
Technical data

FESTO

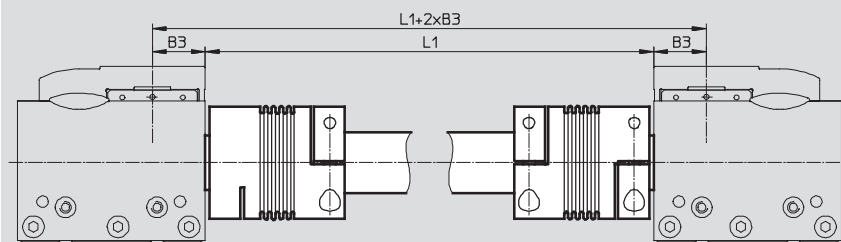
Dimensions and ordering data

Download CAD Data → www.festo.com/us/cad

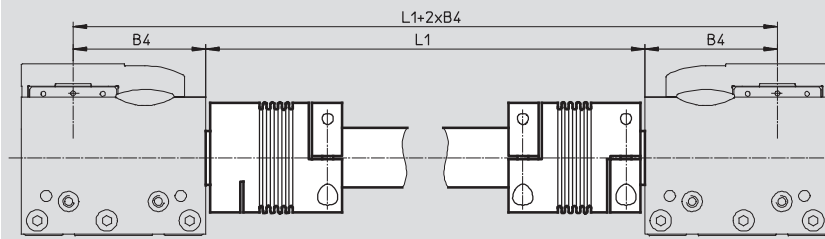
Guide, internal/external



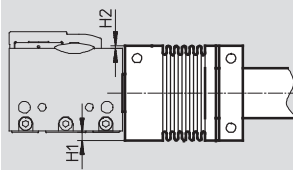
Guide, internal



Guide, external



Projection of coupling



Size [mm]	B1	B3	B4	D1 ∅	D2 ∅	H1	H2	L1	L3	Part No.	Type
50	50	12.5	35.5	21.27	40	4	1	1)	102.2	563710	KSK-50-...
70	50	17.5	51.5	21.27	40	-	-		103.7	562520	KSK-70-...
80	59	23	59	26.52	49	-	-		122	562521	KSK-80-...
120	94	35	85	41.6	81	-	1		192	562522	KSK-120-...
185	111	55	131	65.4	110	-	-		228	562523	KSK-185-...

1) Inside width between the drive covers

Note

The nominal length L1 must be specified in the type code when ordering. The nominal length L1 indicates the inside width between the drive covers in this case.

Order example:
Two toothed belt axes EGC-70-...-TB-KF are to be linked using a connecting shaft, nominal length L1 = 1,000 mm.

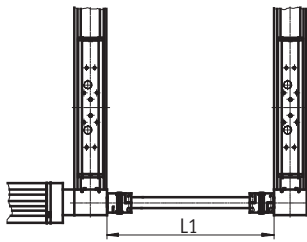
The following connecting shaft is required:
Type: KSK-70-1000
Part No.: 562 520

Connecting shafts KSK

Technical data

Connecting shafts KSK for toothed belt axis ELGA-TB-RF

-N- Size
A-70, 80 and 120



Nominal length L1 = Inside width between the drive covers

The total mass is calculated as follows:

$$m_{\text{total}} = m_0 + m_L \times L1$$

The moment of inertia is calculated as follows:

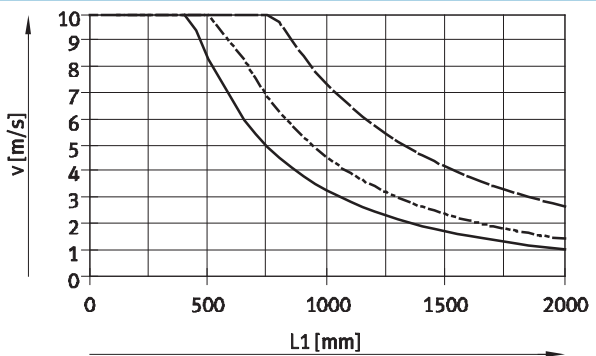
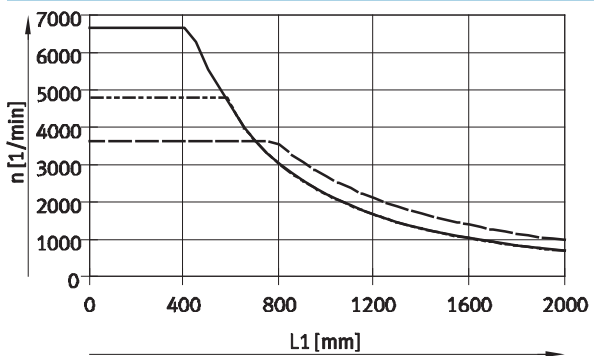
$$J_{\text{total}} = J_0 + J_L \times L1$$

General technical data			
Size	A-70	80	120
Design	Connecting tube with a coupling at each end as well as 2 journals for adapting the hollow shaft		
Mounting position	Horizontal (vertical on request)		
Nominal length L1 [mm]	200 ... 2,000		250 ... 2,000
Basic moment of inertia J_0 at L1 = 0 mm [kg mm ²]	161	159	1,390
Additional moment of inertia J_L per 1 m nominal length [kg mm ² /m]	80	80	333
Max. permissible axial offset [mm]	±2		
Basic weight m_0 at L1 = 0 mm [kg]	0.54	0.53	2.28
Additional weight m_L per 1 m nominal length [kg/m]	0.48	0.48	0.8

Operating and environmental conditions	
Ambient temperature [°C]	-10 ... +60
Corrosion resistance class CRC ¹⁾	2
Note on materials	RoHS-compliant Contains PWIS (paint-wetting impairment substances)
Coupling materials	Hubs: Wrought aluminium alloy
	Bellows: High-alloy steel
Connecting tube, journal materials	High-alloy steel

1) Corrosion resistance class 2 according to Festo standard 940 070
Components subject to moderate corrosion stress. Externally visible parts with primarily decorative surface requirements which are in direct contact with a normal industrial environment or media such as coolants or lubricating agents.

Max. rotational speed n as a function of nominal length L1 Max. speed v as a function of nominal length L1



— KSK-A-70
- - - KSK-80
- · - KSK-120

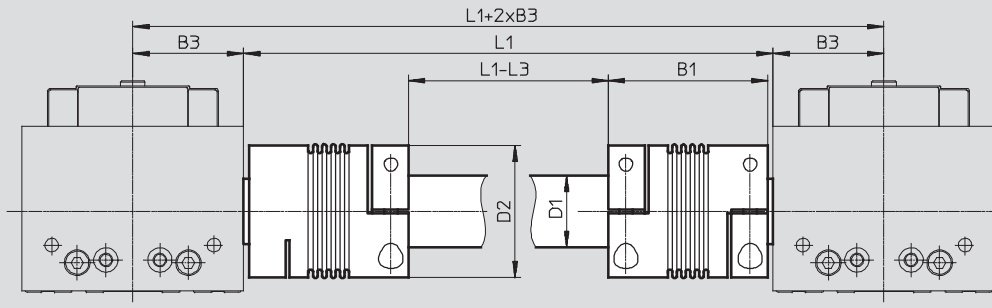
Connecting shafts KSK

Technical data

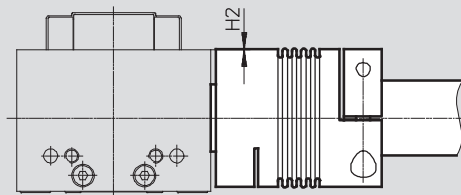
Dimensions and ordering data

Download CAD Data → www.festo.com/us/cad

Guide, internal/external



Projection of coupling



Size	B1	B3	D1	D2	H2	L1	L3	Part No.	Type
[mm]			∅ H7	∅					
70	59	34.5	26.52	49	0.2	1) 122	122	2261462	KSK-A-70-...
80	59	41	26.52	49	-	122	122	562521	KSK-80-...
120	94	60	41.6	81	-	192	192	562522	KSK-120-...

1) Inside width between the drive covers

Note

The nominal length L1 must be specified in the type code when ordering. The nominal length L1 indicates the inside width between the drive covers in this case.

Order example:
Two toothed belt axes ELGA-TB-RF-80-... are to be linked using a connecting shaft, nominal length L1 = 1,000 mm.

The following connecting shaft is required:
Type: KSK-80-1000
Part No. 562521

Product Range and Company Overview

A Complete Suite of Automation Services

Our experienced engineers provide complete support at every stage of your development process, including: conceptualization, analysis, engineering, design, assembly, documentation, validation, and production.



Custom Automation Components
Complete custom engineered solutions



Custom Control Cabinets
Comprehensive engineering support and on-site services



Complete Systems
Shipment, stocking and storage services

The Broadest Range of Automation Components

With a comprehensive line of more than 30,000 automation components, Festo is capable of solving the most complex automation requirements.



Electromechanical
Electromechanical actuators, motors, controllers & drives



Pneumatics
Pneumatic linear and rotary actuators, valves, and air supply



PLCs and I/O Devices
PLC's, operator interfaces, sensors and I/O devices

Supporting Advanced Automation... As No One Else Can!

Festo is a leading global manufacturer of pneumatic and electromechanical systems, components and controls for industrial automation, with more than 12,000 employees in 56 national headquarters serving more than 180 countries. For more than 80 years, Festo has continuously elevated the state of manufacturing with innovations and optimized motion control solutions that deliver higher performing, more profitable automated manufacturing and processing equipment. Our dedication to the advancement of automation extends beyond technology to the education and development of current and future automation and robotics designers with simulation tools, teaching programs, and on-site services.

Quality Assurance, ISO 9001 and ISO 14001 Certifications

Festo Corporation is committed to supply all Festo products and services that will meet or exceed our customers' requirements in product quality, delivery, customer service and satisfaction.

To meet this commitment, we strive to ensure a consistent, integrated, and systematic approach to management that will meet or exceed the requirements of the ISO 9001 standard for Quality Management and the ISO 14001 standard for Environmental Management.



© Copyright 2008, Festo Corporation. While every effort is made to ensure that all dimensions and specifications are correct, Festo cannot guarantee that publications are completely free of any error, in particular typing or printing errors. Accordingly, Festo cannot be held responsible for the same. For Liability and Warranty conditions, refer to our "Terms and Conditions of Sale", available from your local Festo office. All rights reserved. No part of this publication may be reproduced, distributed, or transmitted in any form or by any means, electronic, mechanical, photocopying or otherwise, without the prior written permission of Festo. All technical data subject to change according to technical update.



Printed on recycled paper at New Horizon Graphic, Inc., FSC certified as an environmentally friendly printing plant.

Festo North America

Festo Regional Contact Center

5300 Explorer Drive
Mississauga, Ontario L4W 5G4
Canada

USA Customers:

For ordering assistance,

Call: 1.800.99.FESTO (1.800.993.3786)

Fax: 1.800.96.FESTO (1.800.963.3786)

Email: customer.service@us.festo.com

For technical support,

Call: 1.866.GO.FESTO (1.866.463.3786)

Fax: 1.800.96.FESTO (1.800.963.3786)

Email: product.support@us.festo.com

Canadian Customers:

Call: 1.877.GO.FESTO (1.877.463.3786)

Fax: 1.877.FX.FESTO (1.877.393.3786)

Email: festo.canada@ca.festo.com

USA Headquarters

Festo Corporation
395 Moreland Road
P.O. Box 18023
Hauppauge, NY 11788, USA
www.festo.com/us

USA Sales Offices

Appleton

North 922 Tower View Drive, Suite N
Greenville, WI 54942, USA

Boston

120 Presidential Way, Suite 330
Woburn, MA 01801, USA

Chicago

1441 East Business Center Drive
Mt. Prospect, IL 60056, USA

Dallas

1825 Lakeway Drive, Suite 600
Lewisville, TX 75057, USA

Detroit – Automotive Engineering Center

2601 Cambridge Court, Suite 320
Auburn Hills, MI 48326, USA

New York

395 Moreland Road
Hauppauge, NY 11788, USA

Silicon Valley

4935 Southfront Road, Suite F
Livermore, CA 94550, USA

United States



USA Headquarters, East: Festo Corp., 395 Moreland Road, Hauppauge, NY 11788

Phone: 1.631.435.0800; Fax: 1.631.435.8026;

Email: info@festo-usa.com

www.festo.com/us

Canada



Headquarters: Festo Inc., 5300 Explorer Drive, Mississauga, Ontario L4W 5G4

Phone: 1.905.624.9000; Fax: 1.905.624.9001;

Email: festo.canada@ca.festo.com

www.festo.ca

Mexico



Headquarters: Festo Pneumatic, S.A., Av. Ceylán 3, Col. Tequesquahuac,
54020 Tlalneantla, Edo. de México

Phone: 011 52 [55] 53 21 66 00; Fax: 011 52 [55] 53 21 66 65;

Email: festo.mexico@mx.festo.com

www.festo.com/mx

Central USA

Festo Corporation
1441 East Business
Center Drive
Mt. Prospect, IL 60056, USA
Phone: 1.847.759.2600
Fax: 1.847.768.9480



Western USA

Festo Corporation
4935 Southfront Road,
Suite F
Livermore, CA 94550, USA
Phone: 1.925.371.1099
Fax: 1.925.245.1286



Festo Worldwide

Argentina Australia Austria Belarus Belgium Brazil Bulgaria Canada Chile China Colombia Croatia Czech Republic Denmark
Estonia Finland France Germany Great Britain Greece Hong Kong Hungary India Indonesia Iran Ireland Israel Italy Japan Latvia
Lithuania Malaysia Mexico Netherlands New Zealand Norway Peru Philippines Poland Romania Russia Serbia Singapore
Slovakia Slovenia South Africa South Korea Spain Sweden Switzerland Taiwan Thailand Turkey Ukraine United States Venezuela

www.festo.com