

Linear/swivel clamps CLR



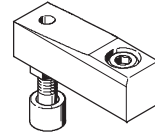
Linear/swivel clamps CLR

Key features

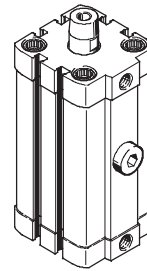
Functional description

The CLR linear/swivel clamp is used for all types of clamping. Through the combination of the linear and swivel motion of the piston rod, it is possible to insert and remove workpieces even

beyond the clamping range. Here it is possible to choose between swivelling to the right or left, while the CLR also boasts a linear stroke as of $\varnothing 40$.



Clamping finger:
Can be ordered as an accessory



Optimal range

- Simple mechanical system
- Robust design
- Long service life
- Low initial, assembly and maintenance expenditure
- New: CLR with protection against dust and welding splatter

Versatile

- Subsequently adjustable swivel direction
- Compact dimensions for the tightest installation spaces

Easy to assemble

- The port pattern corresponds to ISO 21287, meaning that foot and flange mountings from the standard accessories range can be used
- Female threads in the bearing and end cap enable simple assembly of the cylinder either directly or using mounting accessories

Practical

- Clamping finger including slip-on rubber cap to protect sensitive surfaces are available as accessories
- Clamping finger can be freely adjusted across a full 360°
- Can be repaired with wearing parts kit

Swivel direction



Swivel motion to right

Viewed from above the piston rod side with the piston rod retracted. Clockwise swivel direction.



Swivel motion to left

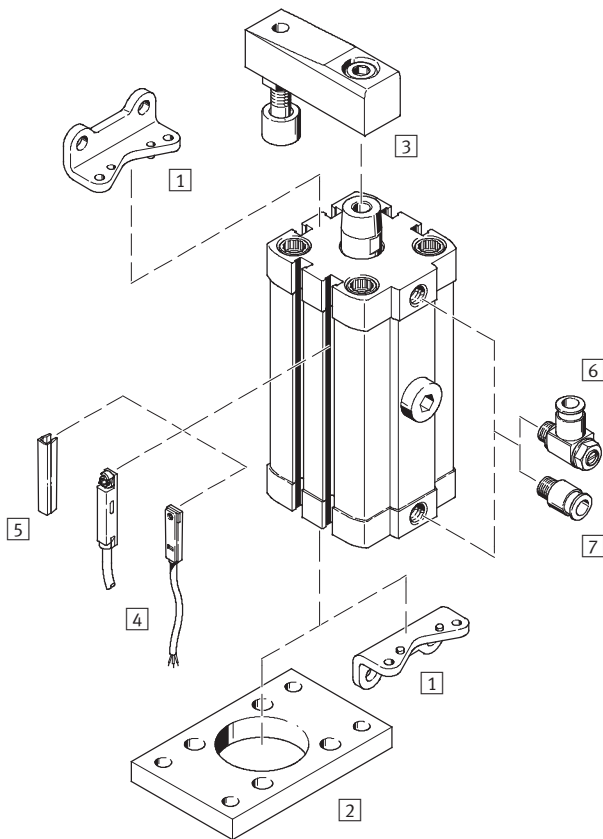
Viewed from above the piston rod side with the piston rod retracted. Anti-clockwise swivel direction.



Linear motion

Linear/swivel clamps CLR

Peripherals overview

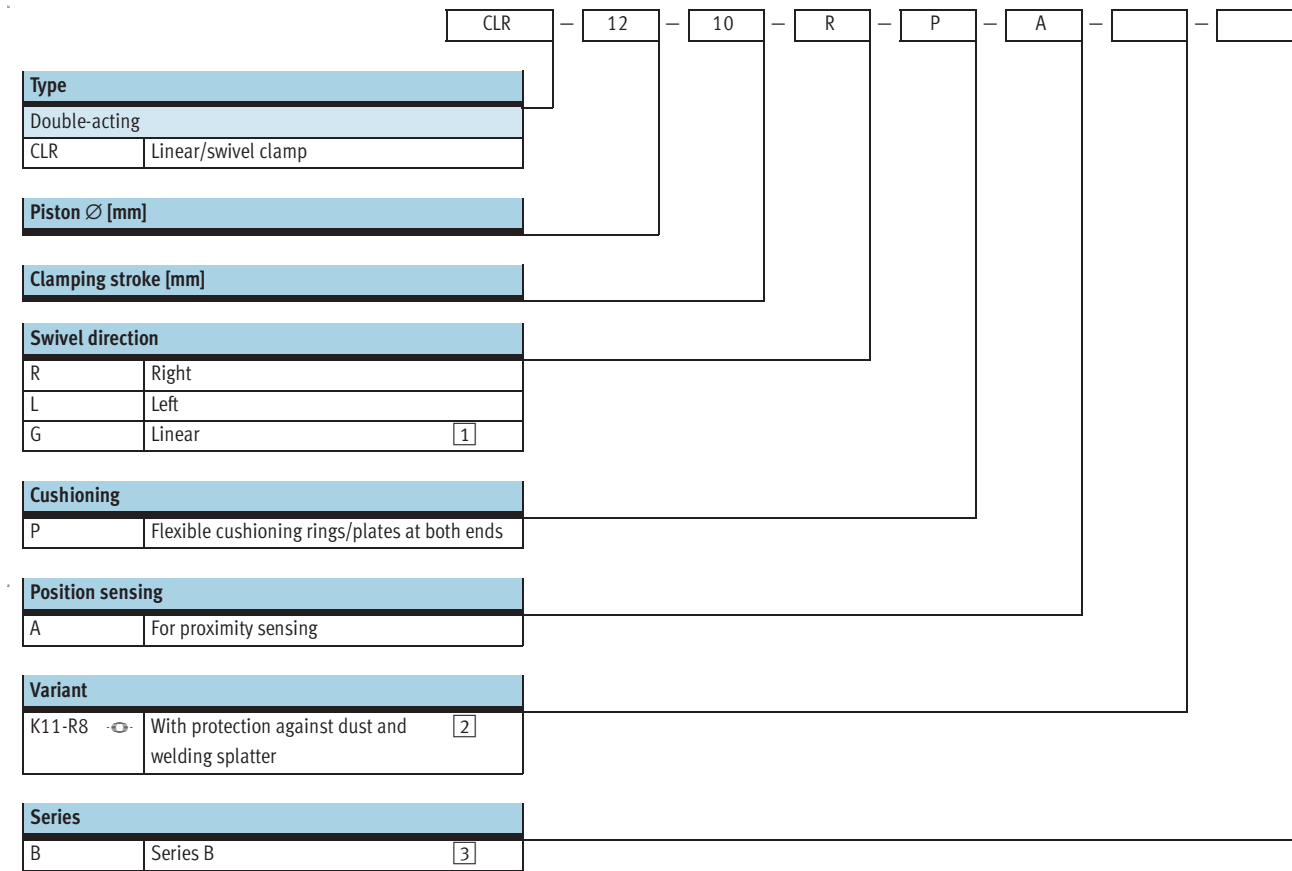


Mounting attachments and accessories		
	Brief description	→ Page/Internet
1	Foot mounting HNA	13
2	Flange mounting FNC	14
3	Clamping finger CLR...-FS	14
4	Proximity sensors SME/SMT	16
5	Slot cover ABP-5-S	16
6	One-way flow control valve GRLA/GRLZ	15
7	Push-in/threaded fitting QS	quick star

Linear/swivel clamps CLR

Type code

FESTO



1 Only with piston Ø 40 ... 63 mm

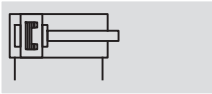
2 Only with piston Ø 25 ... 63 mm

3 Only with piston Ø 32 mm

Linear/swivel clamps CLR

Technical data

Function



- Ø - Diameter
12 ... 63 mm
- T- Clamping stroke
10, 20, 50 mm

www.festo.com/en/
Spare_parts_service



General technical data																	
Piston Ø	12	16	20	25	32	40	50	63									
Pneumatic connection	M5	M5	M5	M5	G1/8	G1/8	G1/8	G1/8									
Piston-rod thread	M3	M4	M6	M6	M8	M8	M10	M10									
Operating medium	Compressed air in accordance with ISO 8573-1:2010 [7:4:4]																
Note on operating/pilot medium	Operation with lubricated medium possible (in which case lubricated operation will always be required)																
Design	Piston																
	Piston rod																
	Cylinder barrel																
Cushioning	Flexible cushioning rings/plates at both ends																
Position sensing	For proximity sensing																
Type of mounting	Via through-holes																
	Via female thread																
	Via accessories																
Mounting position	Any																
Clamping range	≥ 2 mm before end position																
Clamping stroke ¹⁾	[mm]	10	20	10	20	10	20	10	20	10	20	10	20	20	50	20	50
Total stroke ²⁾	[mm]	19	29	20	30	22	32	23	33	28	38	28	38	41	71	43	73
Swivel direction	Right, left												Right, left, linear				
Swivel angle	[°]	90 ±4			90 ±3			90 ±2									

1) The clamping stroke corresponds to the linear stroke which effects clamping
2) The total stroke comprises the clamping stroke and the swivel stroke

Operating and environmental conditions	
Operating pressure	[bar] 2 ... 10
Ambient temperature ¹⁾	[°C] -10 ... +80
Corrosion resistance class CRC ²⁾	2

1) Note operating range of proximity sensors
2) Corrosion resistance class 2 according to Festo standard 940 070
Components requiring moderate corrosion resistance. Externally visible parts with primarily decorative surface requirements which are in direct contact with a surrounding industrial atmosphere or media such as cooling or lubricating agents

Linear/swivel clamps CLR

Technical data

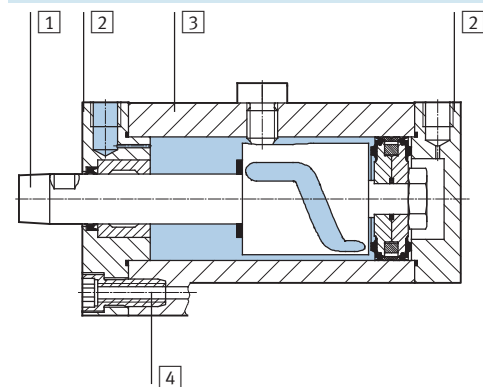
Forces [N] without clamping finger								
Piston Ø	12	16	20	25	32	40	50	63
Theoretical clamping force at 6 bar	51	90	121	227	362	633	990	1,682

Forces [N] with clamping finger CLR-...-FS, 5 mm before stroke end									
Piston Ø	12	16	20	25	32	40	50	63	
Effective clamping force at	2 bar	12	17	35	63	111	176	271	441
	4 bar	23	36	73	127	216	355	508	823
	6 bar	34	53	109	188	313	536	716	1,386

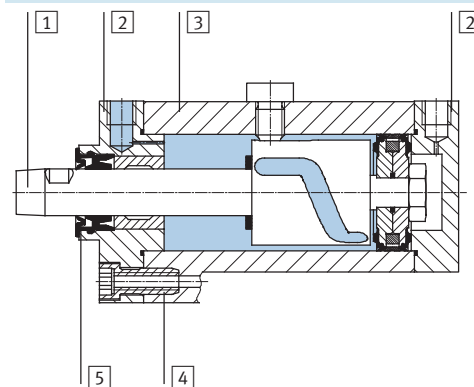
Materials

Sectional view

Basic version



K11-R8 with protection against dust and welding splatter



Linear/swivel clamp	Basic version	K11-R8
1 Piston rod	High-alloy steel	High-alloy steel, treated surfaces
2 Bearing and end caps	Wrought aluminium alloy, coated	
3 Cylinder barrel	Wrought aluminium alloy, smooth-anodised	
4 Flange screws	Galvanised steel	
5 Wiper seal	–	Polyphenylsulphide, flame-retardant
– Seals	Nitrile rubber, polyurethane	

Weights [g]

Piston Ø	12	16	20	25	32	40	50	63	
Basic version									
Product weight at stroke	10 mm	135	160	335	395	685	880	–	–
	20 mm	160	190	385	455	765	985	1,650	2,100
	50 mm	–	–	–	–	–	–	2,115	2,635
Variant K11-R8									
Product weight at stroke	10 mm	–	–	–	410	700	895	–	–
	20 mm	–	–	–	470	785	1,010	1,690	2,100
	50 mm	–	–	–	–	–	–	2,155	2,625

Linear/swivel clamps CLR

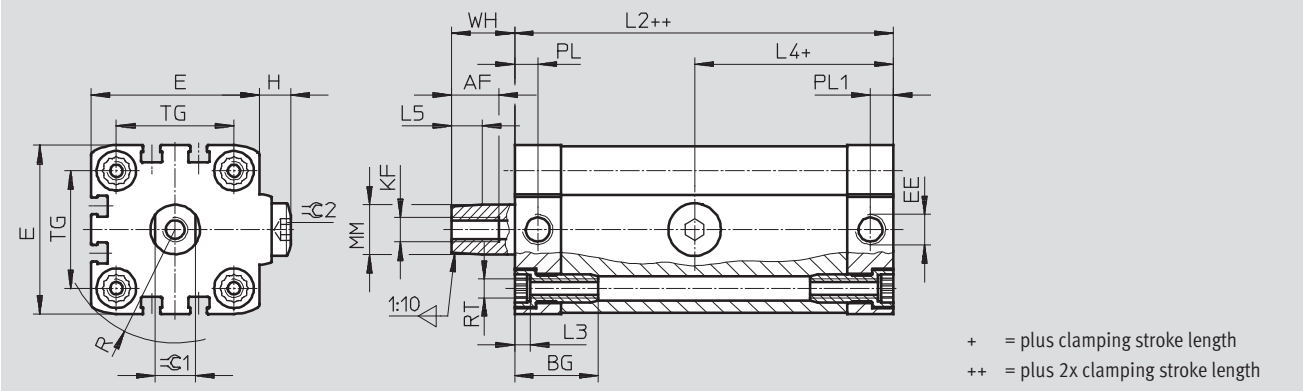
Technical data



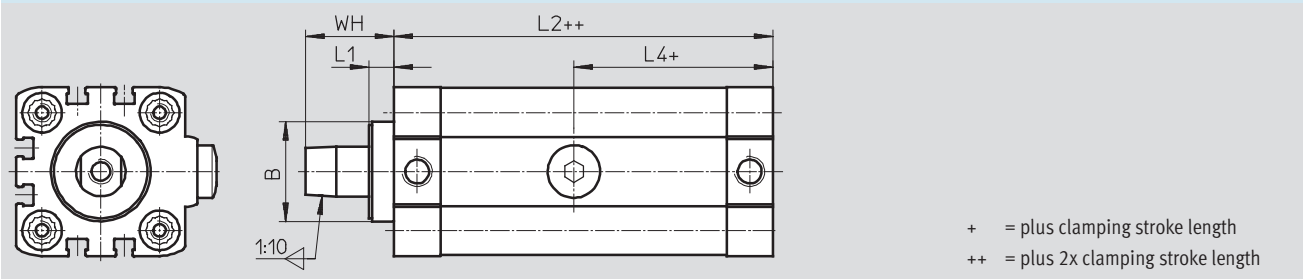
Dimensions

Download CAD Data → www.festo.com/us/cad

Basic version Ø 12 ... 63



Variant K11-R8 Ø 25 ... 63



Ø	AF	BG	B	E	EE	H	KF	L1	L2	L3	L4
[mm]											
12	10	17	-	27.5	M5	3.25	M3	-	60.6	3.5	21.8
16	12			29			M4		62.5		23.5
20	15			19.5			35.5		M6		4.75
25		28.4	39.5		82.5	46.55					
32		26	32.2	47	M8	10.15	7.65	101	53.05		
40				54.5				102.5	54.3		
50	27	38.2	65.5	G $\frac{1}{8}$	12.7	117.5	117.5	58.8			
63			75.5				124.5	62.75			

Ø	L5	MM Ø	PL	PL1	R	RT	TG	WH	⌀C1	⌀C2
[mm]								K11-R8		
12	4.9	6	6	15.1	18.2	M4	16	10.9	5	3
16		8	6.5	15	19.3		18		-	
20	7.4	12	6	6	23.7	M5	22	16.4	24.5	10
25					26.3		26			
32	9.9	16	7.5	7.5	31.5	M6	32.5	20.4	28.5	13
40					36.7		38			
50	10.3	20	7.5	7.5	44.3	M8	46.5	20.8	17	8
63					51.5		56.5			

Linear/swivel clamps CLR

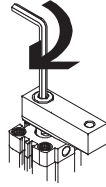
Technical data

FESTO

Assembly of a clamping finger

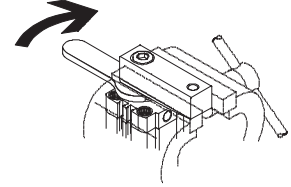
Step 1

- Place the clamping finger onto the tapered end of the piston rod.
- Screw the fixing screw into the threaded hole in the piston rod until the clamping finger can only just be turned.



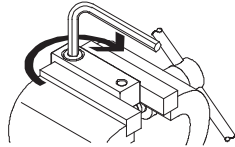
Step 2

- Securely grip the clamping finger with the screw head pointing upwards.
- Using a spanner, turn the piston rod via the spanner flats.



Step 3

- Tighten the fixing screw to the tightening torque quoted below.



Tightening torque [Nm]

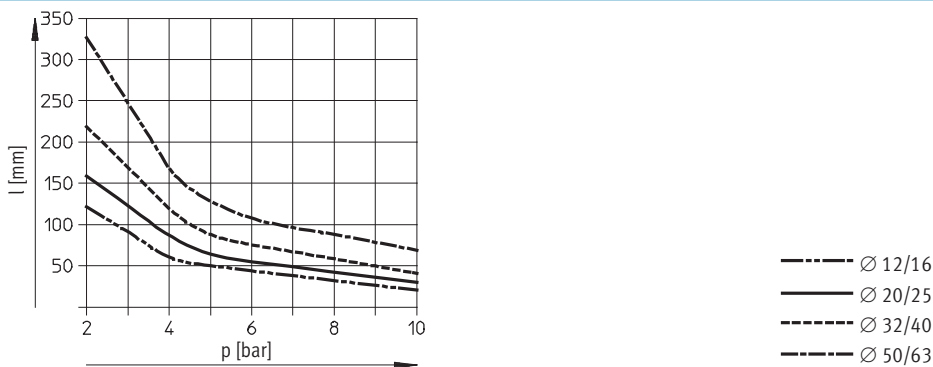
Piston \varnothing	12	16	20	25	32	40	50	63
Max. tightening torque fixing screw	1.2	3	12	12	24	24	47	47

Note

No calculations are required when using the Festo clamping finger set. The accessory is co-ordinated with the cylinder and can be operated unthrottled at the maximum

permissible pressure. When constructing the clamping finger in-house the following values must be checked and calculations performed.

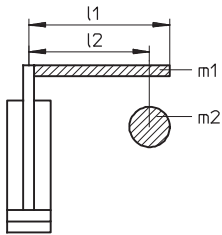
Maximum permissible clamping arm length l depending on the operating pressure p



Linear/swivel clamps CLR

Technical data

Maximum permissible mass moment of inertia J_0



- m_1 = mass of the clamping finger
- l_1 = length of the clamping finger
- m_2 = mass of the screw
- l_2 = center distance between screw and piston rod

Note

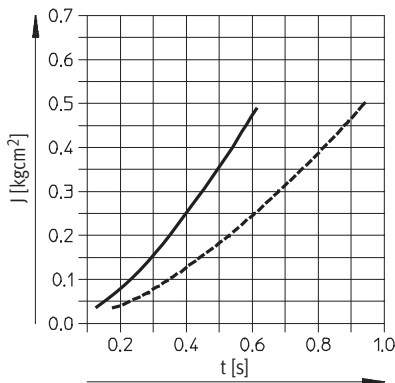
The permissible mass moment of inertia at the piston rod depends on the cylinder's speed. To simplify, the moment can be calculated using this

formula. For calculation purposes, the software program "mass moments of inertia" is also available on the electronic catalogue.

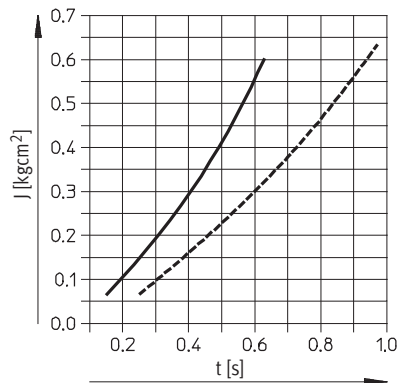
Maximum permissible mass moment of inertia: $J_0 = \frac{m_1 \times l_1^2}{3} + m_2 \times l_2^2$

Mass moment of inertia J as a function of the time t required for the single stroke

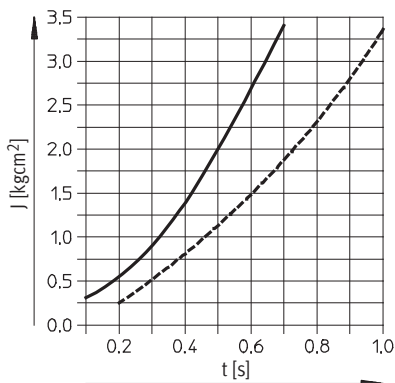
Ø 12



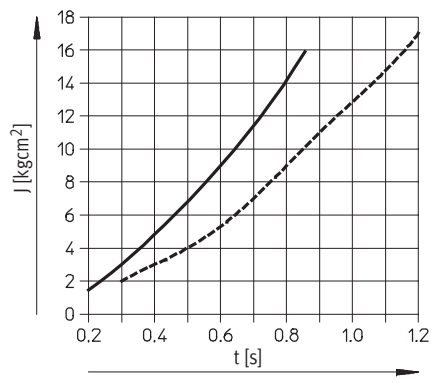
Ø 16



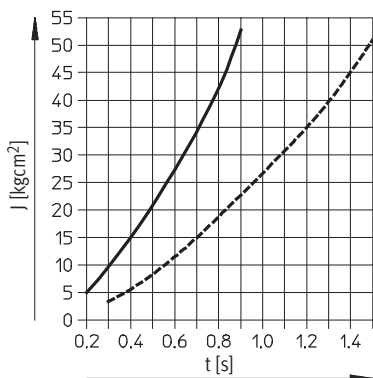
Ø 20/25



Ø 32/40



Ø 50/63





— Stroke: 10 mm
 - - - Stroke: 20 mm

Linear/swivel clamps CLR

Technical data

FESTO


Ordering data – Right-hand swivel direction				
Type	Piston Ø [mm]	Stroke [mm]	Part No.	Type
	12	10	535 431	CLR-12-10-R-P-A
		20	535 433	CLR-12-20-R-P-A
	16	10	535 435	CLR-16-10-R-P-A
		20	535 437	CLR-16-20-R-P-A
	20	10	535 439	CLR-20-10-R-P-A
		20	535 441	CLR-20-20-R-P-A
	25	10	535 443	CLR-25-10-R-P-A
		20	535 445	CLR-25-20-R-P-A
	32	10	543 177	CLR-32-10-R-P-A-B
		20	543 179	CLR-32-20-R-P-A-B
	40	10	535 453	CLR-40-10-R-P-A
		20	535 456	CLR-40-20-R-P-A
	50	20	535 459	CLR-50-20-R-P-A
		50	535 462	CLR-50-50-R-P-A
	63	20	535 465	CLR-63-20-R-P-A
		50	535 468	CLR-63-50-R-P-A


Ordering data – Right-hand swivel direction, with protection against dust and welding splatter				
Type	Piston Ø [mm]	Stroke [mm]	Part No.	Type
	25	10	535 483	CLR-25-10-R-P-A-K11-R8
		20	535 485	CLR-25-20-R-P-A-K11-R8
	32	10	535 487	CLR-32-10-R-P-A-B-K11-R8
		20	535 490	CLR-32-20-R-P-A-B-K11-R8
	40	10	535 493	CLR-40-10-R-P-A-K11-R8
		20	535 496	CLR-40-20-R-P-A-K11-R8
	50	20	535 499	CLR-50-20-R-P-A-K11-R8
		50	535 502	CLR-50-50-R-P-A-K11-R8
	63	20	535 505	CLR-63-20-R-P-A-K11-R8
		50	535 508	CLR-63-50-R-P-A-K11-R8

Linear/swivel clamps CLR

Technical data


FESTO


Ordering data – Left-hand swivel direction				
Type	Piston Ø [mm]	Stroke [mm]	Part No.	Type
	12	10	535 432	CLR-12-10-L-P-A
		20	535 434	CLR-12-20-L-P-A
	16	10	535 436	CLR-16-10-L-P-A
		20	535 438	CLR-16-20-L-P-A
	20	10	535 440	CLR-20-10-L-P-A
		20	535 442	CLR-20-20-L-P-A
	25	10	535 444	CLR-25-10-L-P-A
		20	535 446	CLR-25-20-L-P-A
	32	10	543 178	CLR-32-10-L-P-A-B
		20	543 180	CLR-32-20-L-P-A-B
	40	10	535 454	CLR-40-10-L-P-A
		20	535 457	CLR-40-20-L-P-A
	50	20	535 460	CLR-50-20-L-P-A
		50	535 463	CLR-50-50-L-P-A
	63	20	535 466	CLR-63-20-L-P-A
		50	535 469	CLR-63-50-L-P-A

Ordering data – Left-hand swivel direction, with protection against dust and welding splatter				
Type	Piston Ø [mm]	Stroke [mm]	Part No.	Type
	25	10	535 484	CLR-25-10-L-P-A-K11-R8
		20	535 486	CLR-25-20-L-P-A-K11-R8
	32	10	535 488	CLR-32-10-L-P-A-B-K11-R8
		20	535 491	CLR-32-20-L-P-A-B-K11-R8
	40	10	535 494	CLR-40-10-L-P-A-K11-R8
		20	535 497	CLR-40-20-L-P-A-K11-R8
	50	20	535 500	CLR-50-20-L-P-A-K11-R8
		50	535 503	CLR-50-50-L-P-A-K11-R8
	63	20	535 506	CLR-63-20-L-P-A-K11-R8
		50	535 509	CLR-63-50-L-P-A-K11-R8

Linear/swivel clamps CLR

Technical data

Ordering data – Linear motion				
Type	Piston Ø [mm]	Stroke [mm]	Part No.	Type
	40	10	535 455	CLR-40-10-G-P-A
		20	535 458	CLR-40-20-G-P-A
	50	20	535 461	CLR-50-20-G-P-A
		50	535 464	CLR-50-50-G-P-A
	63	20	535 467	CLR-63-20-G-P-A
		50	535 470	CLR-63-50-G-P-A

Ordering data – Linear motion, with protection against dust and welding splatter				
Type	Piston Ø [mm]	Stroke [mm]	Part No.	Type
	40	10	535 495	CLR-40-10-G-P-A-K11-R8
		20	535 498	CLR-40-20-G-P-A-K11-R8
	50	20	535 501	CLR-50-20-G-P-A-K11-R8
		50	535 504	CLR-50-50-G-P-A-K11-R8
	63	20	535 507	CLR-63-20-G-P-A-K11-R8
		50	535 510	CLR-63-50-G-P-A-K11-R8

Note

The swivel device can be easily adjusted subsequently.
 Example: A CLR-12-10-R-P-A (swivel to right) can be converted to type CLR-12-10-L-P-A (swivel to left) by removing the guide pin and turning the slotted guide plate.

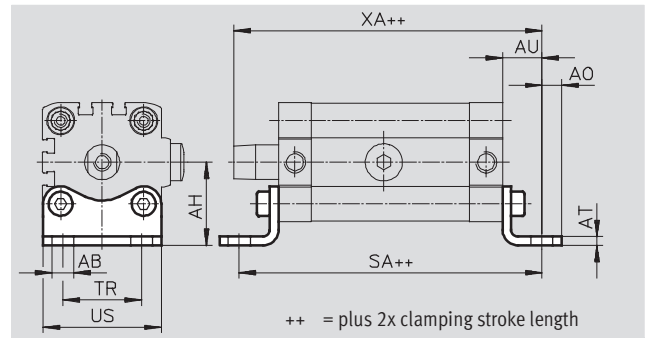
Linear/swivel clamps CLR

Accessories



Foot mounting HNA

Material:
Galvanised steel
Free of copper and PTFE
RoHS-compliant



Dimensions and ordering data													
For \varnothing [mm]	AB \varnothing H14	AH	AO	AT	AU	SA	TR	US	XA	CRC ¹⁾	Weight [g]	Part No.	Type
12	5.8	21	5	3	13	86.6	16	26	84.5	2	25	537 237	HNA-12
16		22	4.75			88.5	18	27.5	86.4	2	30	537 238	HNA-16
20	7	27	6.25	4	16	111.5	22	34.5	111.9	2	50	537 239	HNA-20
25		29				114.5	26	38.5	114.9	2	55	537 240	HNA-25
32		33.5				7	133	32	46	137.4	2	70	537 241
40	10	38	9	5	18	138.5	36	54	140.9	2	90	537 242	HNA-40
50		45	8		21	159.5	45	64	159.7	2	160	537 243	HNA-50
63		50			21	166.9	50	75	166.7	2	180	537 244	HNA-63

1) Corrosion resistance class 2 according to Festo standard 940 070

Components requiring moderate corrosion resistance. Externally visible parts with primarily decorative surface requirements which are in direct contact with a surrounding industrial atmosphere or media such as cooling or lubricating agents

Note

Foot mounting HNA can only be used with variant K11-R8 from \varnothing 40 upward.

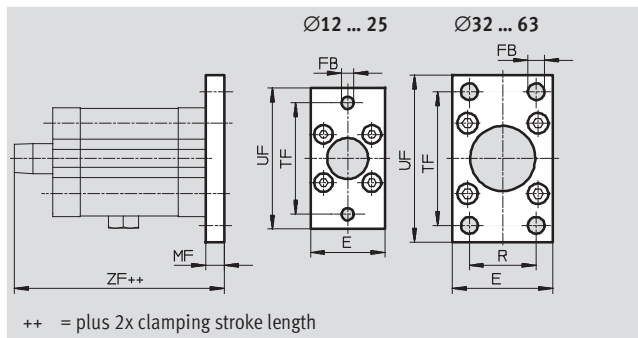
Linear/swivel clamps CLR

Accessories



Flange mounting FNC

Material:
Galvanised steel
Free of copper and PTFE
RoHS-compliant

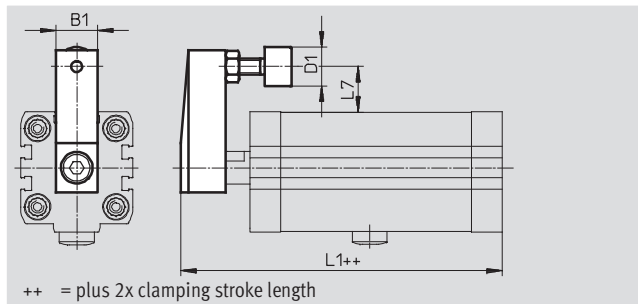


Dimensions and ordering data											
For Ø	E	FB	MF	R	TF	UF	ZF	CRC ¹⁾	Weight	Part No.	Type
[mm]		Ø H13							[g]		
12	28	5.5	8	-	40	50	79.5	1	79	537 245	FNC-12
16	29				43	55	81.4	1	88	537 246	FNC-16
20	36	6.6			55	70	103.9	1	141	537 247	FNC-20
25	40				60	76	106.9	1	165	537 248	FNC-25
32	45	7	10	32	64	80	131.4	1	221	174 376	FNC-32
40	54	9		36	72	90	132.9	1	291	174 377	FNC-40
50	65		12	45	90	110	150.7	1	536	174 378	FNC-50
63	75			50	100	120	157.7	1	679	174 379	FNC-63

1) Corrosion resistance class 1 according to Festo standard 940 070
Components with light corrosion exposure. Protection for transport and storage. Components without significant decorative function or surface, e.g. installed out of sight internally or behind covers.

Clamping finger CLR-...-FS

Materials:
Clamp arm:
12 ... 40: Anodised aluminium
50 ... 63: High-alloy stainless steel
Fixing screw, clamping screw,
lock nut: Galvanised steel
Protective cap: Neoprene



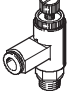




For Ø	B1	D1	L1		L7	Part No.	Type
			+1,1/-1,2 Basic version	K11-R8			
[mm]		Ø					
12	10	11	76.5	-	11.8	535 551	CLR-12-FS
16	11		79.4		12.25	535 552	CLR-16-FS
20	16	15	104.4		17.5	535 553	CLR-20/25-FS
25			107.4	115.5	15.5		
32	20	19	133.3	141.4	25.75	535 554	CLR-32/40-FS
40			134.8	142.9	22		
50	25	24	153.2	160.85	32.5	535 555	CLR-50/63-FS
63			160.2	167.85	27.5		

Linear/swivel clamps CLR


Accessories

FESTO

Ordering data – One-way flow control valves				Technical data → Internet: grl	
	Connection		Material	Part No.	Type
	Thread	For tubing O.D. [mm]			
For exhaust air					
	M5	3	Metal design	193 137	GRLA-M5-QS-3-D
		4		193 138	GRLA-M5-QS-4-D
		6		193 139	GRLA-M5-QS-6-D
	G1/8	3		193 142	GRLA-1/8-QS-3-D
		4		193 143	GRLA-1/8-QS-4-D
		6		193 144	GRLA-1/8-QS-6-D
		8		193 145	GRLA-1/8-QS-8-D
	G1/8	4	Metal design	195 597	GRLA-F-1/8-QS-4-D
		6		195 598	GRLA-F-1/8-QS-6-D
		8		195 599	GRLA-F-1/8-QS-8-D
	G1/8	6	Metal design	162 965	GRLA-1/8-QS-6-RS-B
		8		162 966	GRLA-1/8-QS-8-RS-B
For supply air					
	M5	3	Metal design	193 153	GRLZ-M5-QS-3-D
		4		193 154	GRLZ-M5-QS-4-D
		6		193 155	GRLZ-M5-QS-6-D
	G1/8	3		193 156	GRLZ-1/8-QS-3-D
		4		193 157	GRLZ-1/8-QS-4-D
		6		193 158	GRLZ-1/8-QS-6-D
		8		193 159	GRLZ-1/8-QS-8-D

Ordering data – One-way flow control valves				Technical data → Internet: grla	
	Connection		Material	Part No.	Type
	Thread ¹⁾	For tubing I.D. [mm]			
For exhaust air					
	M5	3	Metal design	151 161	GRLA-M5-PK-3-B
		4		151 162	GRLA-M5-PK-4-B
	G1/8	3		151 166	GRLA-1/8-PK-3-B
		4		151 167	GRLA-1/8-PK-4-B
		6		151 168	GRLA-1/8-PK-6-B

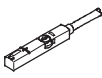
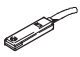
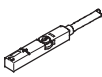
1) Union nut for barbed fitting only for G1/8 threads

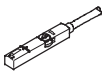
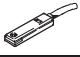
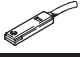
Ordering data – Compressed air tubing			Technical data → Internet: pun	
	Flame-retardant	Material		
	Standard O.D. tubing	For use in the immediate vicinity of welding applications	Polyurethane	PUN-V0


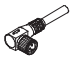
Linear/swivel clamps CLR

Accessories

FESTO

Ordering data – Proximity sensors for T-slot, magneto-resistive						Technical data → Internet: smt	
	Type of mounting	Switch output	Electrical connection	Cable length [m]	Part No.	Type	
N/O contact							
	Insertable in the slot from above, flush with cylinder profile	PNP	Cable, 3-wire	2.5	543 867	SMT-8M-PS-24V-K-2,5-OE	
			Plug M8x1, 3-pin	0.3	543 866	SMT-8M-PS-24V-K-0,3-M8D	
			Plug M12x1, 3-pin	0.3	543 869	SMT-8M-PS-24V-K-0,3-M12	
	Insertable in the slot lengthwise, flush with the cylinder profile	NPN	Cable, 3-wire	2.5	543 870	SMT-8M-NS-24V-K-2,5-OE	
			Plug M8x1, 3-pin	0.3	543 871	SMT-8M-NS-24V-K-0,3-M8D	
			Plug M8x1, 3-pin	0.3	175 436	SMT-8-PS-K-LED-24-B	
					175 484	SMT-8-PS-S-LED-24-B	
N/C contact							
	Insertable in the slot from above, flush with cylinder profile	PNP	Cable, 3-wire	7.5	543 873	SMT-8M-PO-24V-K7,5-OE	

Ordering data – Proximity sensors for T-slot, magnetic reed						Technical data → Internet: sme	
	Type of mounting	Switch output	Electrical connection	Cable length [m]	Part No.	Type	
N/O contact							
	Insertable in the slot from above, flush with cylinder profile	Contacting	Cable, 3-wire	2.5	543 862	SME-8M-DS-24V-K-2,5-OE	
				5.0	543 863	SME-8M-DS-24V-K-5,0-OE	
			Plug M8x1, 3-pin	2.5	543 872	SME-8M-ZS-24V-K-2,5-OE	
				0.3	543 861	SME-8M-DS-24V-K-0,3-M8D	
	Insertable in the slot lengthwise, flush with the cylinder profile	Contacting	Cable, 3-wire	2.5	150 855	SME-8-K-LED-24	
			Plug M8x1, 3-pin	0.3	150 857	SME-8-S-LED-24	
N/C contact							
	Insertable in the slot lengthwise, flush with the cylinder profile	Contacting	Cable, 3-wire	7.5	160 251	SME-8-O-K-LED-24	

Ordering data – Connecting cables					Technical data → Internet: nebu	
	Electrical connection, left	Electrical connection, right	Cable length [m]	Part No.	Type	
	Straight socket, M8x1, 3-pin	Cable, open end, 3-wire	2.5	541 333	NEBU-M8G3-K-2.5-LE3	
			5	541 334	NEBU-M8G3-K-5-LE3	
	Straight socket, M12x1, 5-pin	Cable, open end, 3-wire	2.5	541 363	NEBU-M12G5-K-2.5-LE3	
	Angled socket, M8x1, 3-pin	Cable, open end, 3-wire	2.5	541 338	NEBU-M8W3-K-2.5-LE3	
			5	541 341	NEBU-M8W3-K-5-LE3	
	Angled socket, M12x1, 5-pin	Cable, open end, 3-wire	2.5	541 367	NEBU-M12W5-K-2.5-LE3	
			5	541 370	NEBU-M12W5-K-5-LE3	

Ordering data – Slot cover for T-slot				Part No.	Type
Mounting	Length				
	Insertable from above	2x 0.5 m		151 680	ABP-5-S

Product Range and Company Overview

A Complete Suite of Automation Services

Our experienced engineers provide complete support at every stage of your development process, including: conceptualization, analysis, engineering, design, assembly, documentation, validation, and production.



Custom Automation Components
Complete custom engineered solutions



Custom Control Cabinets
Comprehensive engineering support and on-site services



Complete Systems
Shipment, stocking and storage services

The Broadest Range of Automation Components

With a comprehensive line of more than 30,000 automation components, Festo is capable of solving the most complex automation requirements.



Electromechanical
Electromechanical actuators, motors, controllers & drives



Pneumatics
Pneumatic linear and rotary actuators, valves, and air supply



PLCs and I/O Devices
PLC's, operator interfaces, sensors and I/O devices

Supporting Advanced Automation... As No One Else Can!

Festo is a leading global manufacturer of pneumatic and electromechanical systems, components and controls for industrial automation, with more than 12,000 employees in 56 national headquarters serving more than 180 countries. For more than 80 years, Festo has continuously elevated the state of manufacturing with innovations and optimized motion control solutions that deliver higher performing, more profitable automated manufacturing and processing equipment. Our dedication to the advancement of automation extends beyond technology to the education and development of current and future automation and robotics designers with simulation tools, teaching programs, and on-site services.

Quality Assurance, ISO 9001 and ISO 14001 Certifications

Festo Corporation is committed to supply all Festo products and services that will meet or exceed our customers' requirements in product quality, delivery, customer service and satisfaction.

To meet this commitment, we strive to ensure a consistent, integrated, and systematic approach to management that will meet or exceed the requirements of the ISO 9001 standard for Quality Management and the ISO 14001 standard for Environmental Management.



© Copyright 2008, Festo Corporation. While every effort is made to ensure that all dimensions and specifications are correct, Festo cannot guarantee that publications are completely free of any error, in particular typing or printing errors. Accordingly, Festo cannot be held responsible for the same. For Liability and Warranty conditions, refer to our "Terms and Conditions of Sale", available from your local Festo office. All rights reserved. No part of this publication may be reproduced, distributed, or transmitted in any form or by any means, electronic, mechanical, photocopying or otherwise, without the prior written permission of Festo. All technical data subject to change according to technical update.



Printed on recycled paper at New Horizon Graphic, Inc., FSC certified as an environmentally friendly printing plant.

Festo North America

Festo Regional Contact Center

5300 Explorer Drive
Mississauga, Ontario L4W 5G4
Canada

USA Customers:

For ordering assistance,

Call: 1.800.99.FESTO (1.800.993.3786)

Fax: 1.800.96.FESTO (1.800.963.3786)

Email: customer.service@us.festo.com

For technical support,

Call: 1.866.GO.FESTO (1.866.463.3786)

Fax: 1.800.96.FESTO (1.800.963.3786)

Email: product.support@us.festo.com

Canadian Customers:

Call: 1.877.GO.FESTO (1.877.463.3786)

Fax: 1.877.FX.FESTO (1.877.393.3786)

Email: festo.canada@ca.festo.com

USA Headquarters

Festo Corporation
395 Moreland Road
P.O. Box 18023
Hauppauge, NY 11788, USA
www.festo.com/us

USA Sales Offices

Appleton

North 922 Tower View Drive, Suite N
Greenville, WI 54942, USA

Boston

120 Presidential Way, Suite 330
Woburn, MA 01801, USA

Chicago

1441 East Business Center Drive
Mt. Prospect, IL 60056, USA

Dallas

1825 Lakeway Drive, Suite 600
Lewisville, TX 75057, USA

Detroit – Automotive Engineering Center

2601 Cambridge Court, Suite 320
Auburn Hills, MI 48326, USA

New York

395 Moreland Road
Hauppauge, NY 11788, USA

Silicon Valley

4935 Southfront Road, Suite F
Livermore, CA 94550, USA

United States



USA Headquarters, East: Festo Corp., 395 Moreland Road, Hauppauge, NY 11788

Phone: 1.631.435.0800; Fax: 1.631.435.8026;

Email: info@festo-usa.com

www.festo.com/us

Canada



Headquarters: Festo Inc., 5300 Explorer Drive, Mississauga, Ontario L4W 5G4

Phone: 1.905.624.9000; Fax: 1.905.624.9001;

Email: festo.canada@ca.festo.com

www.festo.ca

Mexico



Headquarters: Festo Pneumatic, S.A., Av. Ceylán 3, Col. Tequesquahuac,
54020 Tlalneantla, Edo. de México

Phone: 011 52 [55] 53 21 66 00; Fax: 011 52 [55] 53 21 66 65;

Email: festo.mexico@mx.festo.com

www.festo.com/mx

Central USA

Festo Corporation
1441 East Business
Center Drive
Mt. Prospect, IL 60056, USA
Phone: 1.847.759.2600
Fax: 1.847.768.9480



Western USA

Festo Corporation
4935 Southfront Road,
Suite F
Livermore, CA 94550, USA
Phone: 1.925.371.1099
Fax: 1.925.245.1286



Festo Worldwide

Argentina Australia Austria Belarus Belgium Brazil Bulgaria Canada Chile China Colombia Croatia Czech Republic Denmark
Estonia Finland France Germany Great Britain Greece Hong Kong Hungary India Indonesia Iran Ireland Israel Italy Japan Latvia
Lithuania Malaysia Mexico Netherlands New Zealand Norway Peru Philippines Poland Romania Russia Serbia Singapore
Slovakia Slovenia South Africa South Korea Spain Sweden Switzerland Taiwan Thailand Turkey Ukraine United States Venezuela

www.festo.com