

Electrical connection technology, for multi-pin plug connection

FESTO

Technical data

Connecting cable

NEBV-S1G44

NEBV-S1WA44

- Connecting cable for multi-pin plug connection
- Pre-assembled
- Straight or angled socket
- Cable lengths 2.5 m, 5 m or 10 m
- 40 and 44 wires
- Sub-D



General technical data			
Type	S1G44-...-LE39	S1G44-...-LE44-S6	S1WA44-...-LE44-S9
Type of mounting	4-40UNC	4-40UNC	4-40UNC
Nominal operating voltage [V DC]	≤30	≤30	≤30
Acceptable current load at 40 °C [A]	0.86	0.86	0.86
Electrical connection	Socket, Sub-D, 44-pin	Socket, Sub-D, 44-pin	Socket, Sub-D, 44-pin
Cable diameter Ø [mm]	9.6±0.5	10.2±0.3	10.2±0.3
Min. cable bending radius [mm]	95	122	122
Mounting position	Any	Any	Any
Cable characteristics	For static applications	For static applications	For static applications
Degree of protection to EN 60529 (in assembled state)	IP65	IP40	IP65, IP67

Materials			
Type	S1G44-...-LE39	S1G44-...-LE44-S6	S1WA44-...-LE44-S9
Housing	PBT	Reinforced PC	Reinforced PA
Cable sheath	PVC	PVC	PVC
Pin contacts	Gold-plated bronze	Gold-plated bronze	Gold-plated bronze

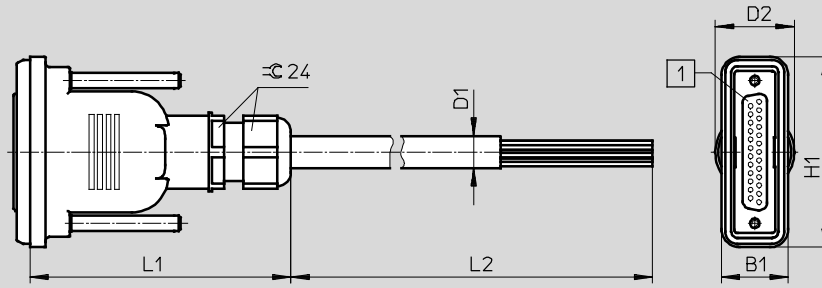
Operating and environmental conditions			
Type	S1G44-...-LE39	S1G44-...-LE44-S6	S1WA44-...-LE44-S9
Ambient temperature [°C]	-5 ... +60	-5 ... +80	-5 ... +80
Degree of contamination	-	-	3
Note on materials	RoHS-compliant	RoHS-compliant	RoHS-compliant

Electrical connection technology, for multi-pin plug connection

Technical data

Dimensions

Download CAD data → www.festo.com

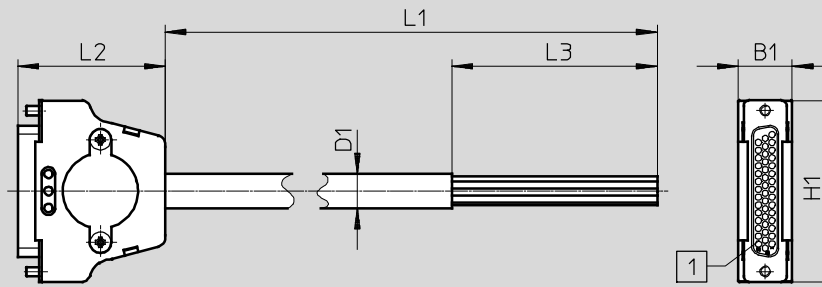


1 Sub-D socket, 44-pin, straight

Type	B1	D1 Ø	D2 Ø	H1	L1	L2
NEBV-S1G44-K-2.5-N-LE39	22	9.5	26	62.8	85±0.5	2,500
NEBV-S1G44-K-5-N-LE39						5,000
NEBV-S1G44-K-10-N-LE39						10,000

Dimensions

Download CAD data → www.festo.com

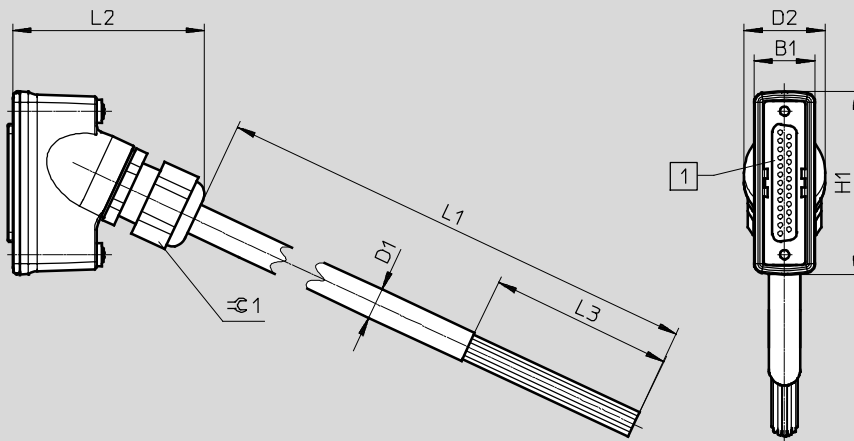


1 Sub-D socket, 44-pin, straight

Type	B1	D1 Ø	H1	L1	L2	L3
NEBV-S1G44-K-2.5-N-LE44-S6	15.8	10.2	53	2,500	43.1	60
NEBV-S1G44-K-5-N-LE44-S6				5,000		
NEBV-S1G44-K-10-N-LE44-S6				10,000		

Dimensions

Download CAD data → www.festo.com



1 Sub-D socket, 44-pin, angled

Type	B1	D1 Ø	D2 Ø	H1	L1	L2	L3	≈C1
NEBV-S1WA44-K-2.5-N-LE44-S9	20	10.2	26.5	60	2,500	60	60	24
NEBV-S1WA44-K-5-N-LE44-S9					5,000			
NEBV-S1WA44-K-10-N-LE44-S9					10,000			

Electrical connection technology, for multi-pin plug connection

Technical data

Circuitry (socket view)						
NEBV- ... -LE39						
		Pin	Wire colour ¹⁾ Connecting cable		Pin	Wire colour ¹⁾ Connecting cable
	1	WH		23	WH RD	
	2	BN		24	BN RD	
	3	GN		25	WH BK	
	4	YE		26	BN BK	
	5	GY		27	GY GN	
	6	PK		28	YE GY	
	7	BU		29	PK GN	
	8	RD		30	YE PK	
	9	BK		31	GN BU	
	10	VT		32	YE BU	
	11	GY PK		33	GN RD	
	12	RD BU		34	YE RD	
	13	WH GN		35	GN BK	
	14	BN GN		36	–	
	15	WH YE		37	–	
	16	YE BN		38	–	
	17	WH GY		39	–	
	18	GY BN		40	–	
	19	WH PK		41	YE BK	
	20	PK BN		42	GY BU	
	21	WH BU		43	PK BU	
	22	BN BU		44	GY RD	

1) To IEC 757

Circuitry (socket view)						
NEBV-...-LE44						
		Pin	Wire colour ¹⁾ Connecting cable		Pin	Wire colour ¹⁾ Connecting cable
	1	WH		23	WH RD	
	2	BN		24	BN RD	
	3	GN		25	WH BK	
	4	YE		26	BN BK	
	5	GY		27	GY GN	
	6	PK		28	YE GY	
	7	BU		29	PK GN	
	8	RD		30	YE PK	
	9	BK		31	GN BU	
	10	VT		32	YE BU	
	11	GY PK		33	GN RD	
	12	RD BU		34	YE RD	
	13	WH GN		35	GN BK	
	14	BN GN		36	YE BK	
	15	WH YE		37	GY BU	
	16	YE BN		38	PK BU	
	17	WH GY		39	GY RD	
	18	GY BN		40	PK RD	
	19	WH PK		41	GY BK	
	20	PK BN		42	PK BK	
	21	WH BU		43	BU BK	
	22	BN BU		44	RD BK	

1) To IEC 757

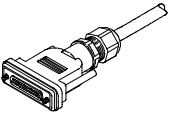
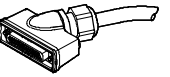
 **New**

NEBV-S1WA
NEBV-S1G44-...-S6

Electrical connection technology, for multi-pin plug connection

FESTO

Technical data

Ordering data						
	Electrical connection	Cable composition [mm ²]	Product weight [g]	Cable length [m]	Part No.	Type
	Straight socket	40x0.14	389	2.5	565289	NEBV-S1G44-K-2.5-N-LE39
			737	5	565290	NEBV-S1G44-K-5-N-LE39
			1,432	10	565291	NEBV-S1G44-K-10-N-LE39
		44x0.14	389	2.5	575113	NEBV-S1G44-K-2.5-N-LE44-S6
			737	5	575114	NEBV-S1G44-K-5-N-LE44-S6
			1,432	10	575115	NEBV-S1G44-K-10-N-LE44-S6
	Angled socket	44x0.14	460	2.5	575420	NEBV-S1WA44-K-2.5-N-LE44-S9
			860	5	575421	NEBV-S1WA44-K-5-N-LE44-S9
			1,660	10	575422	NEBV-S1WA44-K-10-N-LE44-S9