

Passive guide axes EGC-FA, without drive



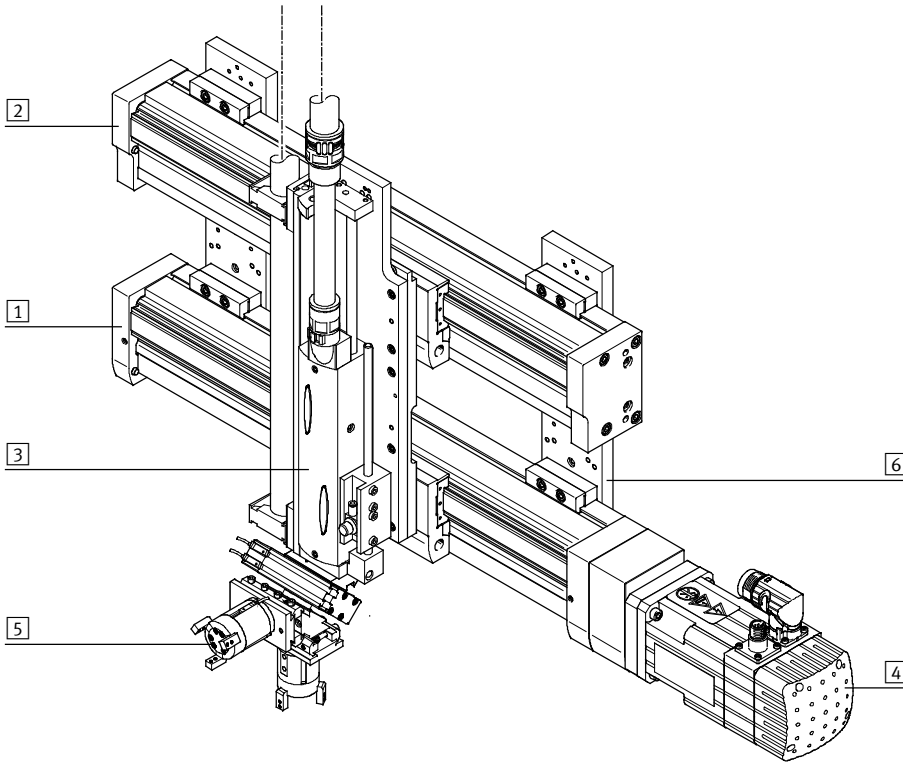
# Passive guide axes EGC-FA, without drive

Key features

## At a glance

- Driveless linear guide units with guide and freely movable slide
- The passive guide axis is designed to support force and torque capacity in multi-axis applications
- Higher torsional resistance
- Reduced vibrations with dynamic loads
- Drive axis and passive guide axis can be placed adjacent to or above one another

## System product for handling and assembly technology



## System components and accessories

	Brief description	→ Page/Internet	
1	Axes	Wide range of combinations possible within handling and assembly technology	axis
2	Passive guide axes	For supporting force and torque capacity in multi-axis applications	passive guide axis
3	Drives	Wide range of combinations possible within handling and assembly technology	drive
4	Motors	Servo and stepper motors, with or without gear unit	motor
5	Grippers	Wide range of variations possible within handling and assembly technology	gripper
6	Adapters	For drive/drive and drive/gripper connections	adapter kit

## Passive guide axes EGC-FA, without drive

Key features

### Slide variants

Standard slide

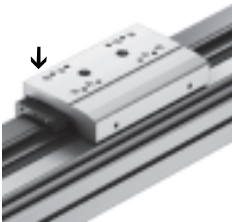


Additional slide



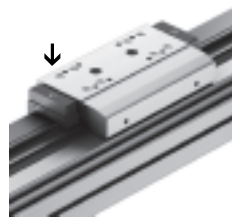
### Guide options

Protected version



- The protected guide cleans the guide rail and protects the recirculating ball bearing guide with the aid of an additional wiper

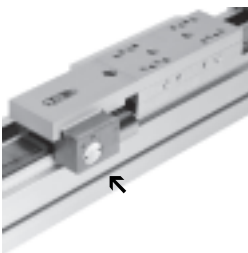
With central lubrication



- The lubrication adapter enables the guide to be permanently lubricated using semi or fully automatic relubrication devices
- The adapters are suitable for oils and greases
- Both lubrication adapters must be connected

### Clamping unit

→ 9



- 1 or 2-channel design, for holding loads
- Reliable holding is guaranteed since the forces act directly on the slide
- A limited number of emergency braking operations are permissible with the sizes 120 and 185

### Guide axes and the corresponding drives

Passive guide axis DGC-FA



- Can be combined with:
  - Linear drive DGC-KF
- For size 8 ... 63
- Load capacity to max. 6,890 N or 380 Nm

Passive guide axis EGC-FA



- Can be combined with:
  - Toothed belt axis EGC-TB
  - Spindle axis EGC-BS
- For size 70 ... 185
- Load capacity to max. 15,200 N or 1,820 Nm

Passive guide axis FDG-ZR-RF



- Can be combined with:
  - Toothed belt axis DGE-ZR-RF
- For size 25 ... 63
- Load capacity to max. 1,500 N or 600 Nm

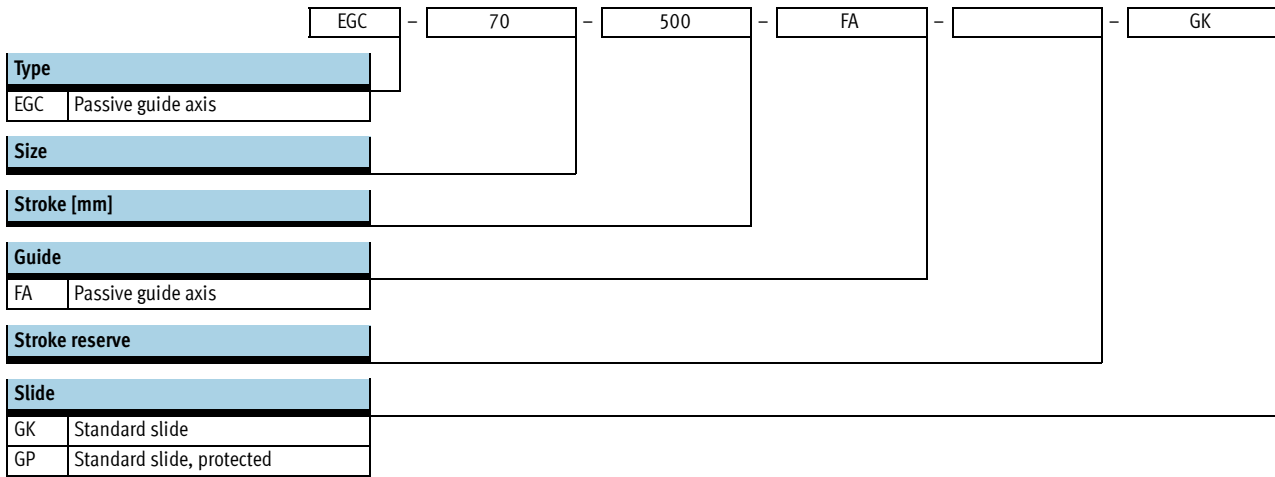
Passive guide axis FDG-P/-ZR/-SP



- Can be combined with:
  - Linear drive DGPL
  - Toothed belt axis DGE-ZR-KF
  - Spindle axis DGE-SP-KF
- For size 18 ... 63
- Load capacity to max. 14,050 N or 1,820 Nm

# Passive guide axes EGC-FA, without drive

Type codes



## Passive guide axes EGC-FA, without drive

**FESTO**

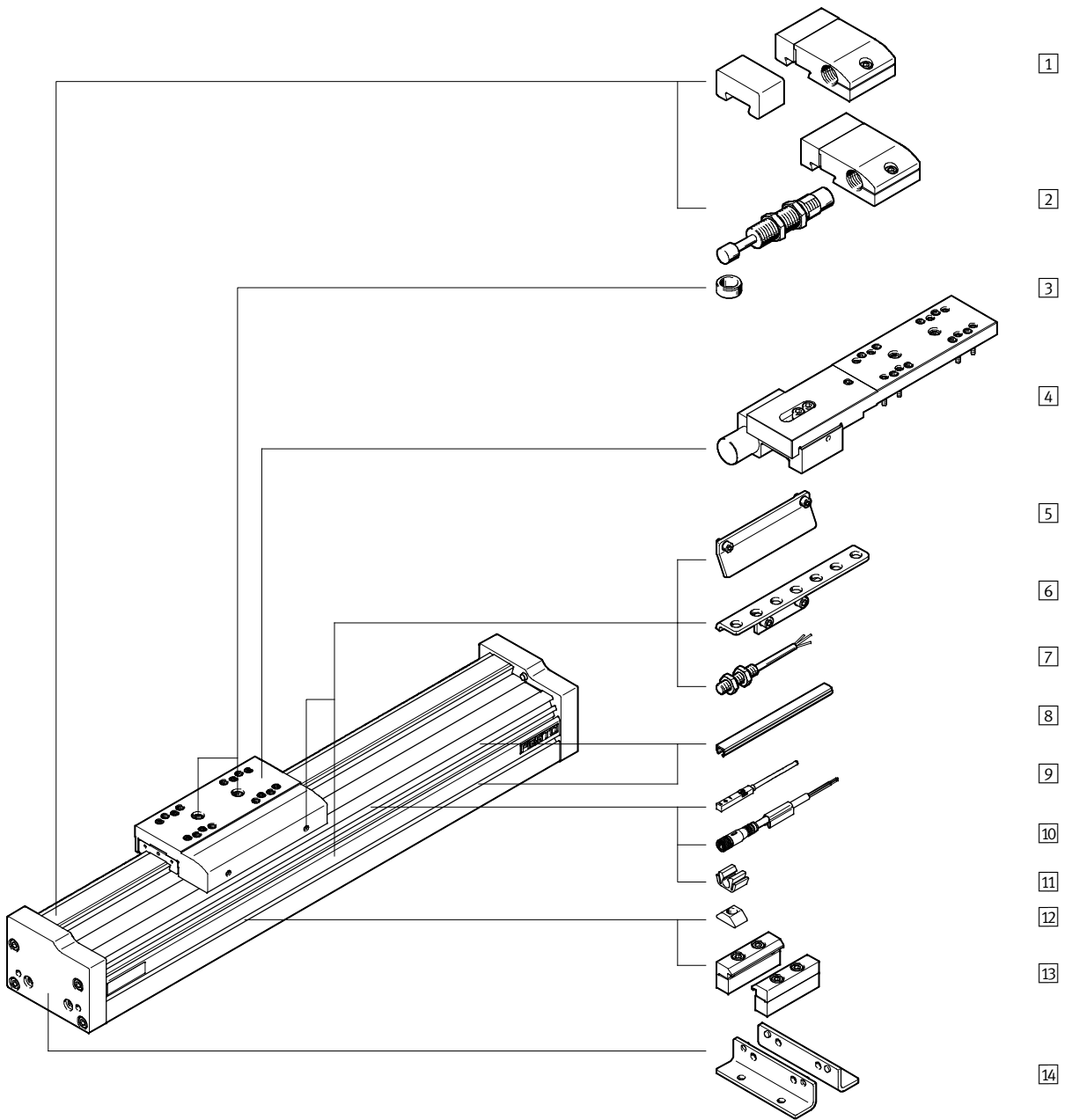
Type codes

→					ZUB	F2MX2Z	DN
<b>Additional slide</b>							
...K	1 to 2						
<b>Lubrication function</b>							
-	Standard						
C	Lubrication adapter						
<b>Clamping unit</b>							
1HL	1-channel, left						
1HR	1-channel, right						
2H	2-channel						
<b>Actuation type</b>							
PN	Pneumatically actuated						
<b>Accessories enclosed separately</b>							
F	Foot mounting						
...M	Profile mounting						
...B	Mounting slot cover						
...S	Sensor slot cover						
...Y	Slot nut for mounting slot						
...X	Proximity sensor (SIES), inductive, slot type 8, PNP, N/O contact, 7.5 m cable						
...Z	Proximity sensor (SIES), inductive, slot type 8, PNP, N/C contact, 7.5 m cable						
...A	Emergency buffer with retainer						
...C	Shock absorber with retainer						
...O	Proximity sensor (SIEN), inductive, M8, PNP, N/O contact, 2.5 m cable						
...P	Proximity sensor (SIEN), inductive, M8, PNP, N/C contact, 2.5 m cable						
...W	Proximity sensor (SIEN), inductive, M8, PNP, N/O contact, plug M8						
...R	Proximity sensor (SIEN), inductive, M8, PNP, N/C contact, plug M8						
...V	Connecting cable						
...CL	Cable clip						
<b>Operating instructions</b>							
DN	None						

# Passive guide axes EGC-FA, without drive

Peripherals overview

FESTO



# Passive guide axes EGC-FA, without drive

Peripherals overview

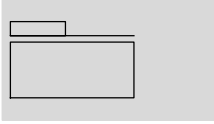
Variants and accessories		
Type	Brief description	→ Page/Internet
1 Emergency buffer with retainer A	For avoiding damage at the end stop in the event of malfunction	30
2 Shock absorber with retainer C	For avoiding damage at the end stop in the event of malfunction	30
3 Centring pin/sleeve ZBS, ZBH	<ul style="list-style-type: none"> <li>For centring loads and attachments on the slide</li> <li>2 centring pins/sleeves included in the scope of delivery of the axis</li> </ul>	32
4 Clamping unit 1H...-PN, 2H-PN	For holding loads	9
5 Switch lug X, Z, O, P, W, R	For sensing the slide position	30
6 Sensor bracket O, P, W, R	Adapter for mounting the inductive proximity sensors (round design) on the axis	31
7 Proximity sensor, M8 O, P, W, R	<ul style="list-style-type: none"> <li>Inductive proximity sensor, round design</li> <li>The order code O, P, W, R includes 1 switch lug and max. 2 sensor brackets in the scope of delivery</li> </ul>	33
8 Slot cover B, S	<ul style="list-style-type: none"> <li>For protecting against the ingress of dirt</li> </ul>	32
9 Proximity sensor, slot type 8 X, Z	<ul style="list-style-type: none"> <li>Inductive proximity sensor, for slot type 8</li> <li>The order code X, Z includes 1 switch lug in the scope of delivery</li> </ul>	33
10 Plug socket with cable V	For proximity sensor (order code W and R)	33
11 Clip CL	For mounting the proximity sensor cable in the slot	32
12 Slot nut Y	For mounting attachments	32
13 Profile mounting M	For mounting the axis on the profile	29
14 Foot mounting F	For mounting the axis on the end cap	28



# Passive guide axes EGC-FA, without drive

Technical data

FESTO

Function



-  - Size  
70 ... 185
-  - Stroke length  
50 ... 8,500 mm



General technical data					
Size		70	80	120	185
Design		Passive axis			
Guide		Recirculating ball bearing guide			
Mounting position		Any			
Working stroke					
EGC-...-GK/-GP	[mm]	50 ... 5,000	50 ... 8,500	50 ... 8,500	50 ... 8,500
Max. speed	[m/s]	5			
Max. acceleration	[m/s <sup>2</sup> ]	50			

Operating and environmental conditions		
Ambient temperature	[°C]	-10 ... +60
Protection class		IP40

Weight [kg]					
Size		70	80	120	185
Basic weight with 0 mm stroke <sup>1)</sup>					
EGC-...-GK/-GP		1,200	2,000	7,300	20,800
Additional weight per 1,000 mm stroke		4,200	6,200	15,000	29,000
Moving load					
EGC-...-GK/-GP		300	550	2,000	6,000
Additional slide					
EGC-...-K		300	550	2,000	6,000
Clamping unit					
EGC-...-1H...-PN		-	700	2,300	4,900
EGC-...-2H-PN		-	1,300	4,000	8,300

1) Incl. slide



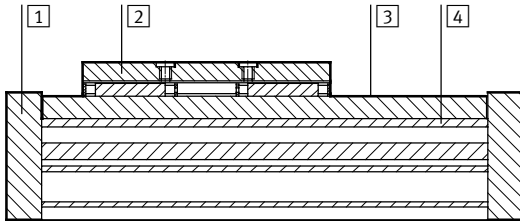
## Passive guide axes EGC-FA, without drive

Technical data

**FESTO**

### Materials

Sectional view



### Axis

1	End cap	Anodised wrought aluminium alloy
2	Slide	Anodised wrought aluminium alloy
3	Guide rail	High-alloy steel
4	Profile	Anodised wrought aluminium alloy
Note on materials		RoHS-compliant
		Contains PWIS (paint-wetting impairment substances)

### Technical data – Clamping unit

Dimensions → 20

Size	80	120	185
Pneumatic connection	M5	M5	M5
Clamping type	Clamping via spring force, released via compressed air		
Static holding force			
EGC-...-1H...-PN	[N]	320	1,200
EGC-...-2H-PN	[N]	640	2,400
Max. number of emergency braking operations <sup>1)</sup> at reference energy	[Nm]	–	750
			35
Number of clamping operations under nominal load	[million switching cycles]	0.45	0.05
			> 1.4

1) Emergency braking refers to braking the effective load if the drive axis loses power.

### Operating and environmental conditions – Clamping unit

Operating medium	Compressed air according to ISO 8573-1:2010 [7:4:4]		
Operating pressure			
Clamping unit opened	[bar]	4.5 ... 8	
Clamping unit closed	[bar]	Pressureless	
Ambient temperature	[°C]	–10 ... +60	

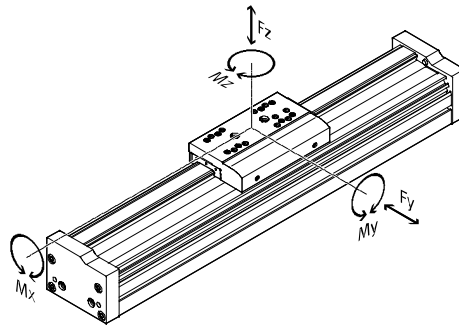
# Passive guide axes EGC-FA, without drive

Technical data

## Characteristic load values

The indicated forces and torques refer to the slide surface. The point of application of force is the point where the centre of the guide and the longitudinal centre of the slide intersect.

These values must not be exceeded during dynamic operation. Special attention must be paid to the cushioning phase.



If the axis is subjected to more than two of the indicated forces and torques simultaneously, the following equation must be satisfied in addition to the indicated maximum loads:

Calculating the load comparison factor:

$$f_v = \frac{|F_{y,dyn}|}{F_{y,max}} + \frac{|F_{z,dyn}|}{F_{z,max}} + \frac{|M_{x,dyn}|}{M_{x,max}} + \frac{|M_{y,dyn}|}{M_{y,max}} + \frac{|M_{z,dyn}|}{M_{z,max}}$$

Permissible forces and torques			70	80	120	185
F <sub>y,max.</sub>	[N]		1,850	3,050	6,890	15,200
F <sub>z,max.</sub>	[N]		1,850	3,050	6,890	15,200
M <sub>x,max.</sub>	[Nm]		16	36	144	529
M <sub>y,max.</sub>	GK/GP [Nm]		51	97	380	1,157
M <sub>z,max.</sub>	GK/GP [Nm]		51	97	380	1,157

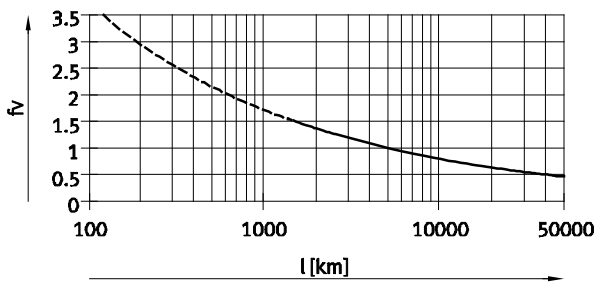
## Service life

The service life of the guide depends on the load. To provide a rough indication of the service life of the guide, the

graph below plots the load comparison factor  $f_v$  against the service life.

These values are only theoretical. You must consult your local contact person at Festo for load comparison factors  $f_v$  greater than 1.5.

Load comparison factor  $f_v$  as a function of service life



Example:

A user wants to move an X kg load. Using the above formula gives a value of 1.5 for the load comparison factor. According to the graph, the guide has a service life of approx.

1,500 km. Reducing the acceleration reduces the M<sub>z</sub> and M<sub>y</sub> values. A load comparison factor of 1 now gives a service life of 5,000 km.

Note

PositioningDrives  
sizing software  
www.festo.com

The guide workload for a service life of 5,000 km can be calculated with the help of the sizing software.

$f_v > 1.5$  are only theoretical comparison values for the recirculating ball bearing guide.

# Passive guide axes EGC-FA, without drive

Technical data

Stroke reserve			
Stroke length	Stroke reserve		
The selected stroke corresponds in principle to the required working stroke. The variant GK does not have a wiper seal on the guide. This variant therefore additionally has a safety distance between the drive cap and slide that is not designated as part of the working stroke.	A safety distance (similar to GK) between the drive cap and slide can be defined for the variants GP and GK-C using the modular product system via the "stroke reserve" feature. With the variant GK, the stroke reserve and safety distance are added for each end position.	<ul style="list-style-type: none"> <li>The stroke reserve length can be freely selected</li> <li>The sum of the stroke length and 2x stroke reserve must not exceed the maximum working stroke</li> </ul>	<b>Example:</b> EGC-70-500-FA-20H-... Working stroke = 500 mm 2x stroke reserve = 40 mm Total length = 540 mm (540 mm = 500 mm + 2x 20 mm)

Size	70	80	120	185
L9 = safety distance with GK [mm] (per end position)	10.5	13	18	21

## Working stroke reduction

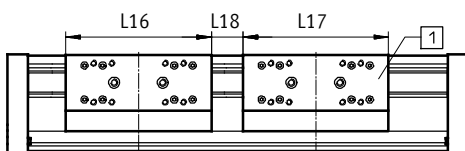
With standard slide GK/GP with additional slide K

- With a guide axis with additional slide, the working stroke is reduced by the length of the additional slide and the distance between both slides
- With the variant GP, the additional slide is also protected
- If the variant GK-C is ordered, the additional slide is also supplied with lubrication adapters

L16 = Slide length  
 L17 = Additional slide length

L18 = Distance between both slides  
 1 Additional slide

**Example:**  
 Type EGC-70-500-FA-...-GK-1K  
 Working stroke without additional slide = 500 mm  
 L18 = 20 mm  
 L16, L17 = 100 mm  
 Working stroke with additional slide = 380 mm  
 (500 mm - 20 mm - 100 mm)



Dimensions – Additional slide								
Size	70		80		120		185	
	GK	GP	GK	GP or GK-C	GK	GP or GK-C	GK	GK-C
Length L17 [mm]	100	121	120	146	200	236	280	322
Min. distance between the slides L18 [mm]	-	21	-	26	-	36	-	42

# Passive guide axes EGC-FA, without drive

Technical data

## Working stroke reduction per side

With integrated emergency buffer NPE/shock absorber YSRW with shock absorber retainer KYE

- The working stroke is reduced by the total dimension of the emergency buffer/shock absorber and shock absorber retainer.
- The rubber buffer in the cap must be removed.
- Shock absorbers must not be used in combination with GK-C.

Size		70	80	120	185
With emergency buffer	[mm]	43	68	98	133
With shock absorber	[mm]	42	63	84	107

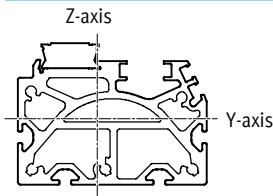
## Working stroke reduction

With integrated clamping unit

- The working stroke is reduced by the length of the clamping unit.
- With 1-channel clamping units, the stroke is reduced on one side with respect to the mounting surface.
- With 2-channel clamping units, the stroke is reduced symmetrically with respect to the mounting surface of the load.
- Shock absorbers must not be used in combination with the clamping unit.

Size		80	120	185
EGC-...-1H...-PN	[mm]	87	124	131
EGC-...-2H-PN	[mm]	174	248	262

## 2nd moment of area



Size		70	80	120	185
$I_y$	[mm <sup>4</sup> ]	$3.95 \times 10^5$	$8.44 \times 10^5$	$4.62 \times 10^6$	$2.34 \times 10^7$
$I_z$	[mm <sup>4</sup> ]	$5.77 \times 10^5$	$1.16 \times 10^6$	$5.65 \times 10^6$	$2.74 \times 10^7$

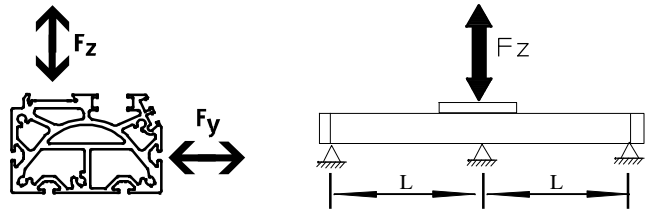
# Passive guide axes EGC-FA, without drive

Technical data

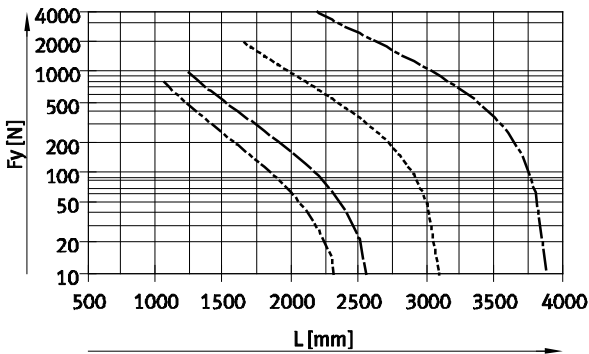
## Maximum permissible support span L (without profile mounting) as a function of force F

In order to limit deflection in the case of large strokes, the axis may need to be supported.

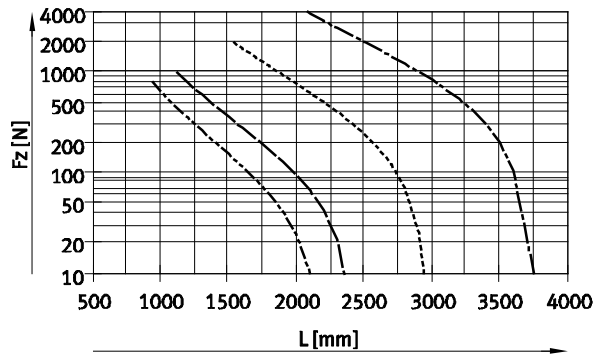
The following graphs can be used to determine the maximum permissible support span l as a function of force F acting on the axis. The deflection is  $f = 0.5$  mm.



Force Fy



Force Fz



- EGC-70
- EGC-80
- EGC-120
- · - · - EGC-185

## Recommended deflection limits

Adherence to the following deflection limits is recommended so as not to impair the functional performance of the

axes. Greater deformation can result in increased friction, greater wear and reduced service life.

Size	Dyn. deflection (load moving)	Stat. deflection (load stationary)
70 ... 185	0.05% of the axis length, max. 0.5 mm	0.1% of the axis length

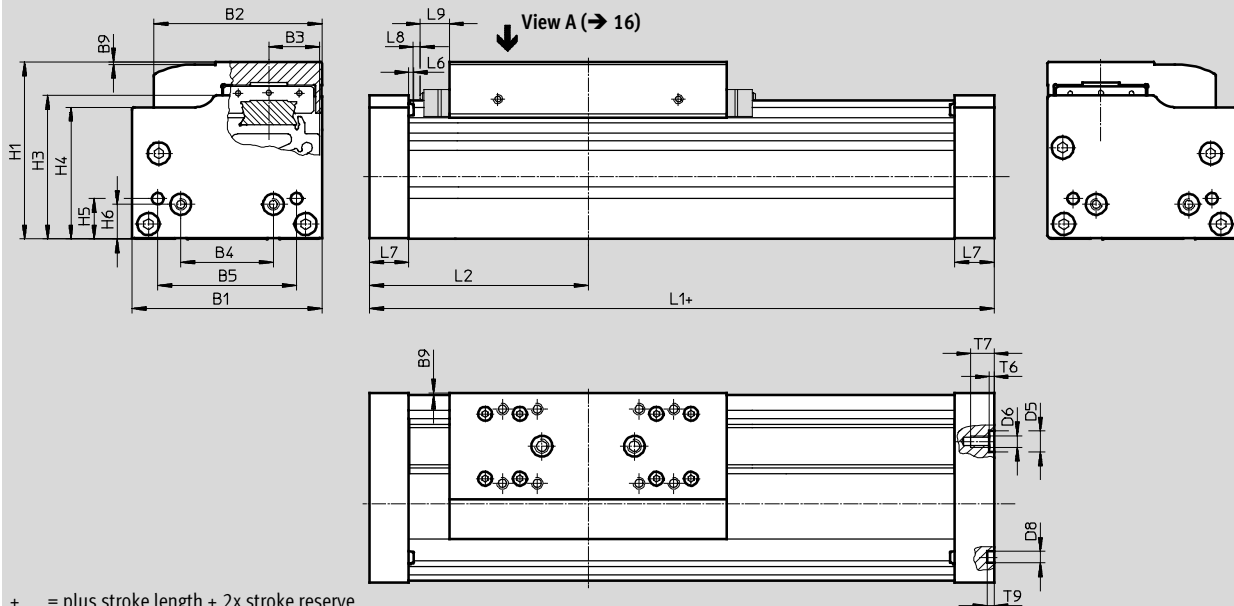
# Passive guide axes EGC-FA, without drive

Technical data

FESTO

## Dimensions

Download CAD data → [www.festo.com](http://www.festo.com)



- + = plus stroke length + 2x stroke reserve
- L9 With GK: safety distance per end position
- With GP: dimension for wiper seal → 11
- With GK-C/GV-C: dimension for adapter → 18

Size	B1	B2	B3	B4	B5	B9	D5 ∅ H7
70	69	58.6	16.5	30	45	1	–
80	82	72.6	22	40	60	1	9
120	120	107	33	80	40	1	–
185	186	169	53	120	80	1	–

Size	D6	D8 ∅ H7	H1	H3	H4	H5	H6	L1
70	M5	5	64	50.5	47	13	13	163
80	M5	5	76.5	62	57	17.5	15	190
120	M8	9	111.5	89	82	22	22	306
185	M10	9	172.5	141	131.5	25	25	406

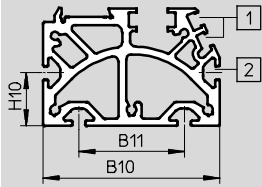
Size	L2	L6	L7	L8	L9	T6	T7	T9
70	81.5	1.8	16	3	10.5	–	10	3.1
80	95	2	17	3	13	2.1	10.1	3.1
120	153	2	30	3	18	–	16	2.1
185	203	2	37	3	21	–	20	2.1

# Passive guide axes EGC-FA, without drive

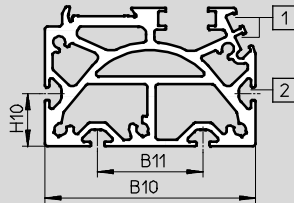
Technical data

Profile

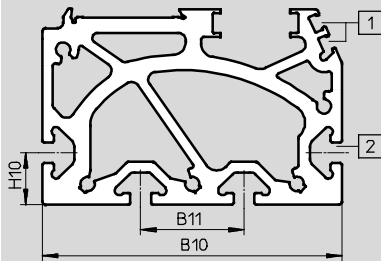
Size 70



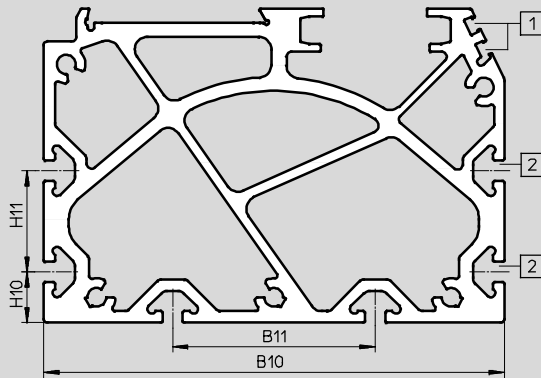
Size 80



Size 120



Size 185



- 1 Sensor slot for proximity sensor
- 2 Mounting slot for slot nut

Size	B10	B11	H10	H11
70	67	40	20	-
80	80	40	20	-
120	116	40	20	-
185	182	80	20	40

- - Note

To avoid distortion in the slide, the bearing surfaces of the attachments must maintain a minimum flatness of 0.01 mm.

# Passive guide axes EGC-FA, without drive

Technical data

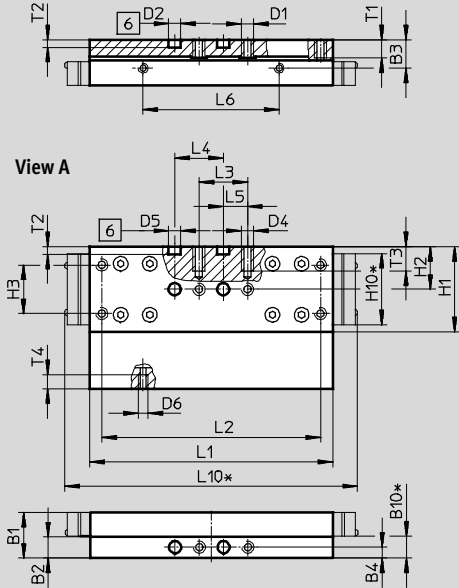
FESTO

## Dimensions

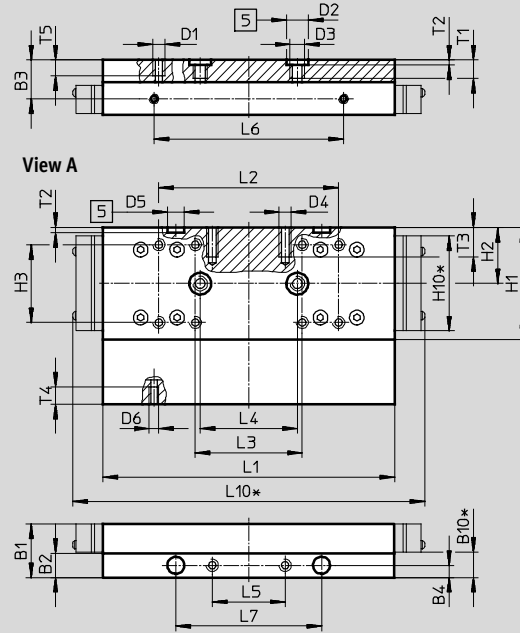
Download CAD data → [www.festo.com](http://www.festo.com)

GK – Standard slide/GP – Standard slide, protected

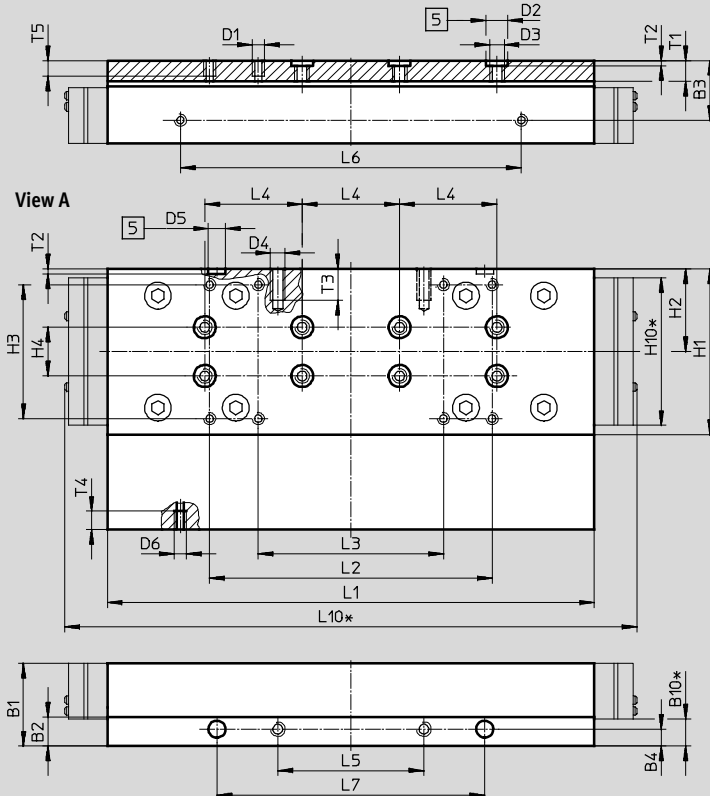
### Size 70



### Size 80



### Size 120



- 5 Hole for centring sleeve
- 6 Hole for centring pin
- \* Protected version



# Passive guide axes EGC-FA, without drive

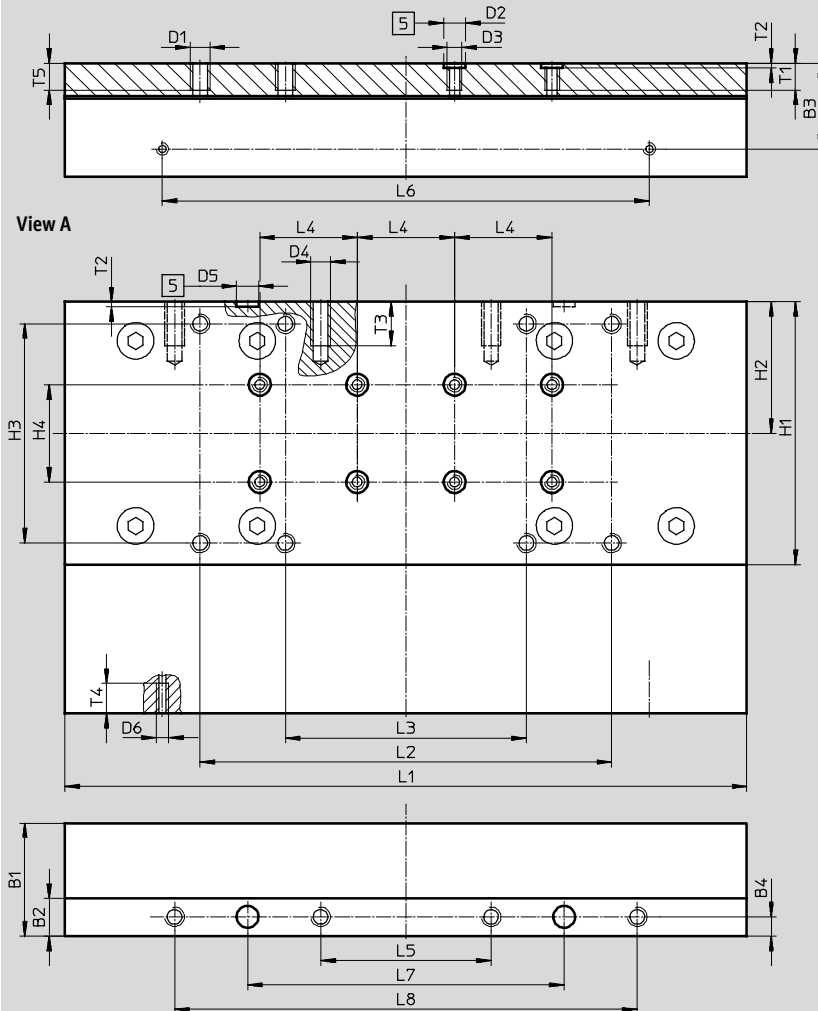
Technical data

## Dimensions

Download CAD data → [www.festo.com](http://www.festo.com)

GK – Standard slide

Size 185



5 Hole for centring sleeve

Size	B1	B2	B3	B4	B10*	D1	D2 ∅ H7	D3	D4	D5 ∅ H7	D6	H1	H2	H3	H4 ±0.03
70	18.7	8.7	11.7	4.5	9	M5	5	–	M5	5	M4	35	17.5	20 ±0.1	–
80	22	10	16	5	10.4	M5	9	M6	M5	7	M4	46	23	32 ±0.2	–
120	34	12	24.5	7	11.2	M5	9	M6	M6	7	M5	68	34	55 ±0.2	20
185	46.5	15.5	35.2	8	–	M8	9	M6	M8	9	M5	108	54	90 ±0.2	40

Size	H10*	L1	L2	L3	L4 ±0.03	L5	L6 ±0.1	L7 ±0.05	L8 ±0.2	L10*	T1	T2 +0.1	T3	T4	T5
70	29.4	100	90 ±0.1	20 ±0.1	20	10 ±0.1	56	–	–	121	7.5	3.1	10	6	–
80	39	120	74 ±0.2	44 ±0.2	40	30 ±0.1	78	60	–	145	8.6	2.1	12	7	7.5
120	60.6	203.3	116 ±0.2	76 ±0.2	40	60 ±0.1	140	110	–	235	8.6	2.1	13	7.5	7.5
185	–	282.8	169 ±0.2	99 ±0.2	40	70 ±0.2	200	130	190	–	11	2.1	18	12.3	12

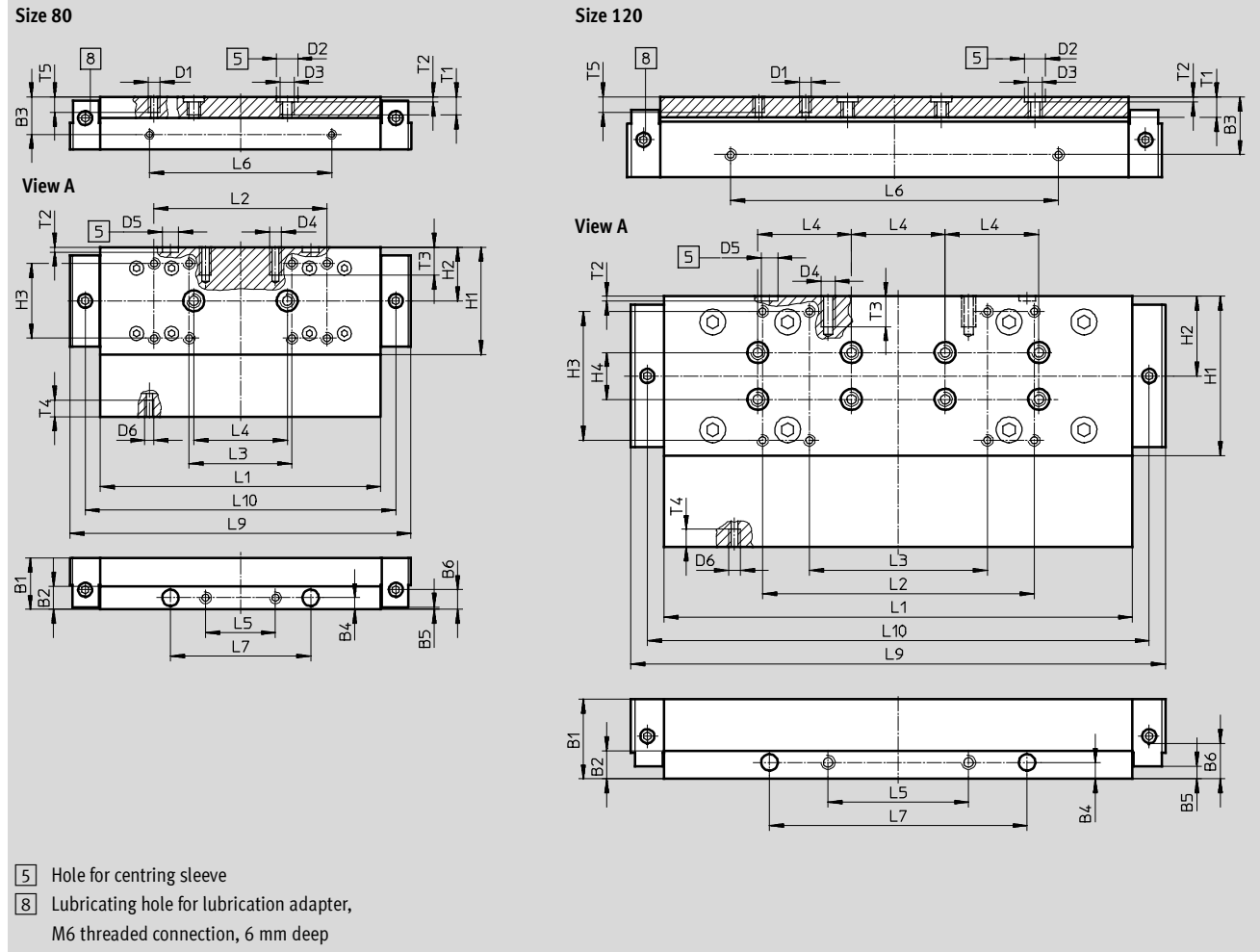
\* Protected version

# Passive guide axes EGC-FA, without drive

Technical data

Dimensions Download CAD data → [www.festo.com](http://www.festo.com)

GK-C – Standard slide with lubrication adapter



Size	B1	B2	B3	B4	B5	B6	D1	D2 ∅	D3	D4
80	22	10	16	5	±0.1	8.5	M5	9	M6	M5
120	34	12	24.5	7	5.5	18.2	M5	9	M6	M6

Size	D5 ∅	D6	H1	H2	H3	H4	L1	L2	L3	L4
	H7				±0.2	±0.03	±0.1	±0.2	±0.2	±0.03
80	7	M4	46	23	32	–	120	74	44	40
120	7	M5	68	34	55	20	203.3	116	76	40

Size	L5	L6	L7	L9	L10	T1	T2	T3	T4	T5
	±0.1	±0.1	±0.05				+0.1			
80	30	78	60	146	133	8.6	2.1	12	7	7.5
120	60	140	110	226.9	214.3	8.6	2.1	13	7.5	7.5

# Passive guide axes EGC-FA, without drive

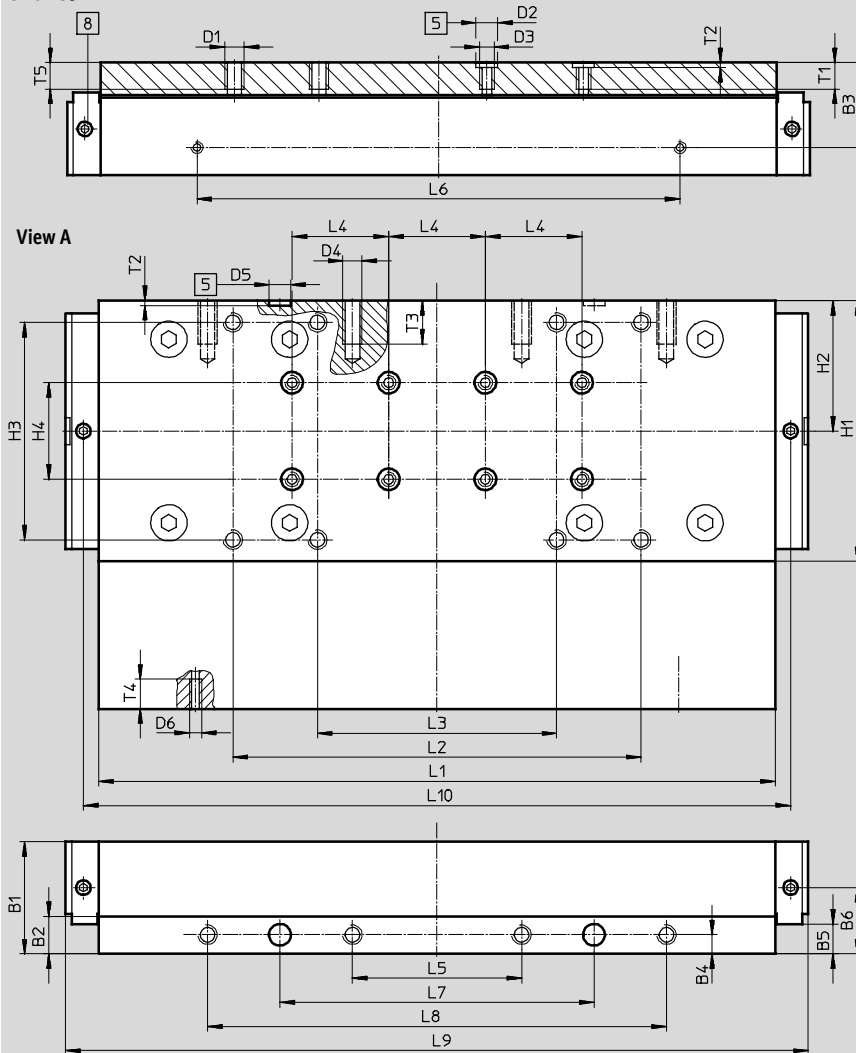
Technical data

## Dimensions

Download CAD data → [www.festo.com](http://www.festo.com)

GK-C – Standard slide with lubrication adapter

Size 185



- 5 Hole for centring sleeve
- 8 Lubricating hole for lubrication adapter,  
M6 threaded connection, 6 mm deep

Size	B1	B2	B3	B4	B5	B6	D1	D2 ∅	D3	D4
185	46.5	15.5	35.2	8	±0.1 12.5	27.5	M8	9 H7	M6	M8

Size	D5 ∅	D6	H1	H2	H3	H4	L1	L2	L3	L4
185	9 H7	M5	108	54	±0.2 90	±0.03 40	±0.1 282.8	±0.2 169	±0.2 99	±0.03 40

Size	L5	L6	L7	L8	L9	L10	T1	T2	T3	T4	T5
185	±0.2 70	±0.1 200	±0.05 130	±0.2 190	307.4	292.8	11	+0.1 2.1	18	12.3	12

## Passive guide axes EGC-FA, without drive

Technical data

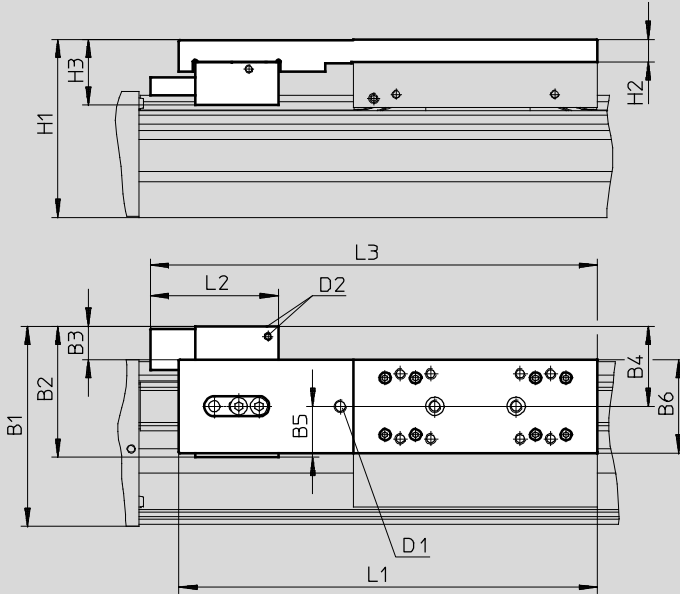
### Dimensions

Download CAD data → [www.festo.com](http://www.festo.com)

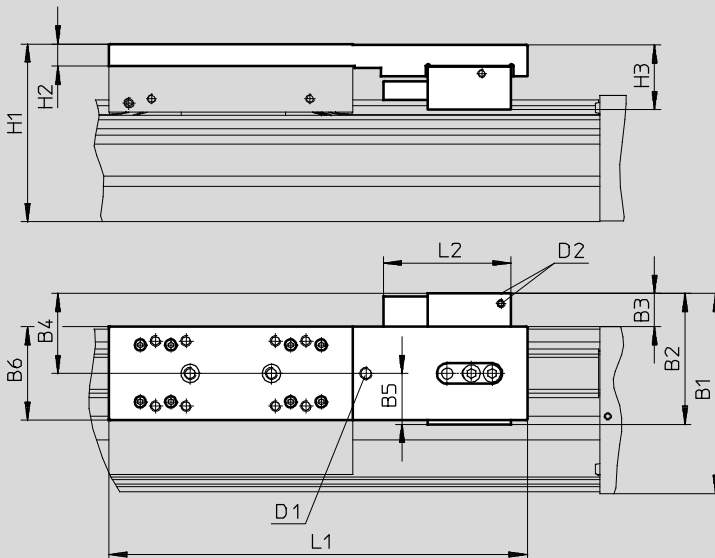
1HL/1HR/2H – With clamping unit

Size 80

1-channel, left



1-channel, right



D2 Supply port

## Passive guide axes EGC-FA, without drive

Technical data

**FESTO**

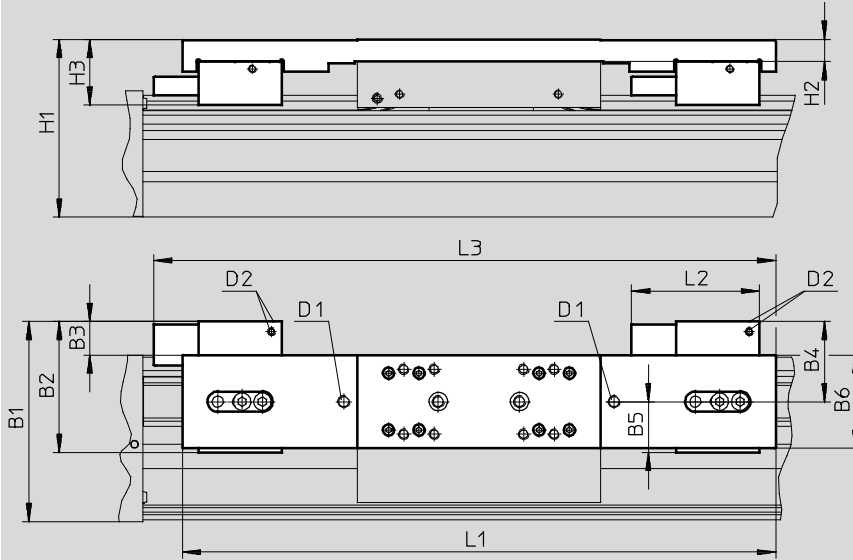
### Dimensions

Download CAD data → [www.festo.com](http://www.festo.com)

1HL/1HR/2H – With clamping unit

Size 80

2-channel



D2 Supply port

Type	B1	B2	B3	B4	B5	B6	H1	H2	H3	D1	D2	L1	L2	L3											
EGC-80-...-1HL-PN	98.4	64.4	17.4	39.4	25	46	87.5	11	32.4	M6	M5	206	63	220											
EGC-80-...-1HR-PN														-											
EGC-80-...-C-1HL-PN														220											
EGC-80-...-C-1HR-PN														-											
EGC-80-...-2H-PN												292													306
EGC-80-...-C-2H-PN																									

## Passive guide axes EGC-FA, without drive

Technical data

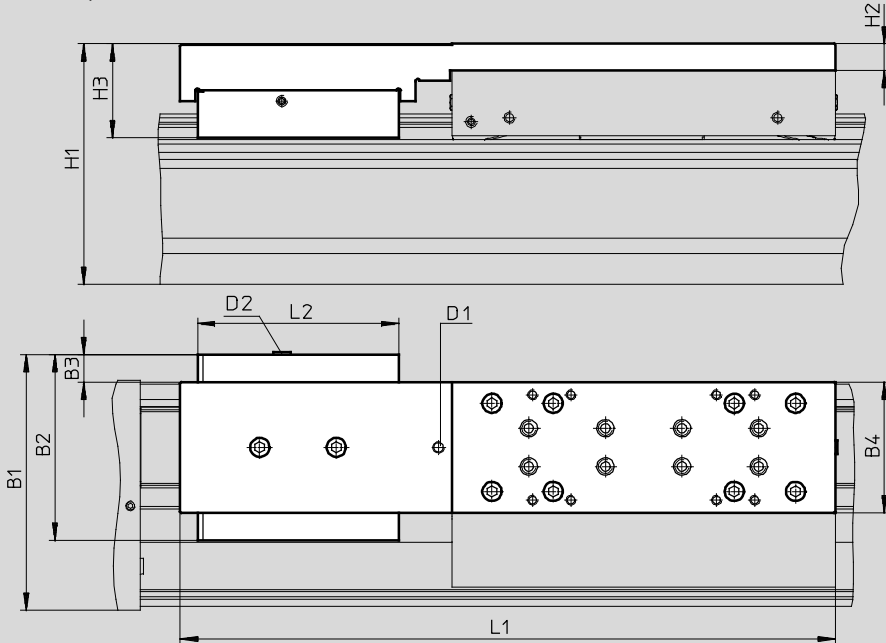
### Dimensions

Download CAD data → [www.festo.com](http://www.festo.com)

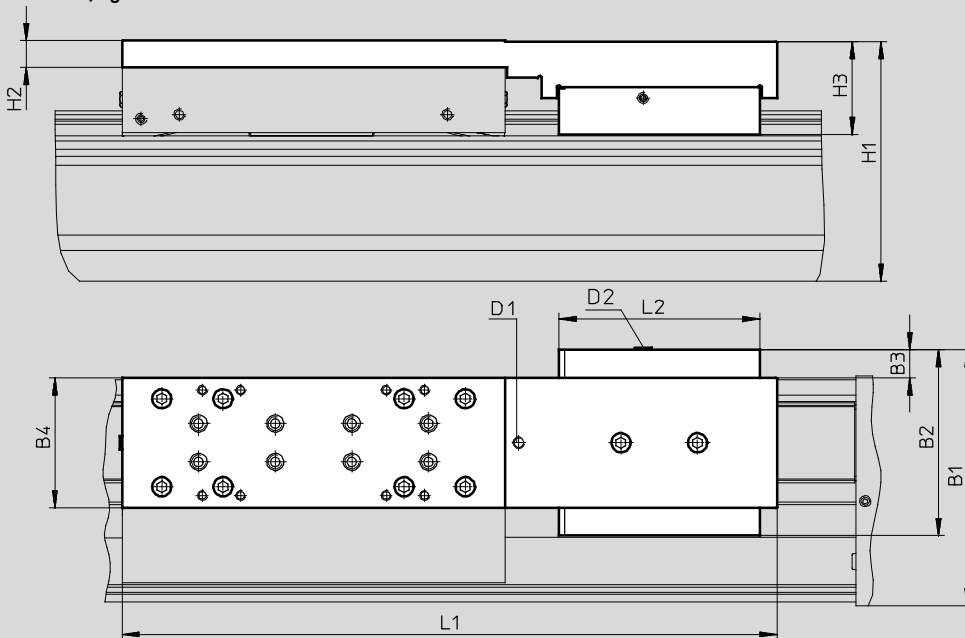
1HL/1HR/2H – With clamping unit

Size 120/185

1-channel, left



1-channel, right



D2 Supply port

## Passive guide axes EGC-FA, without drive

Technical data

**FESTO**

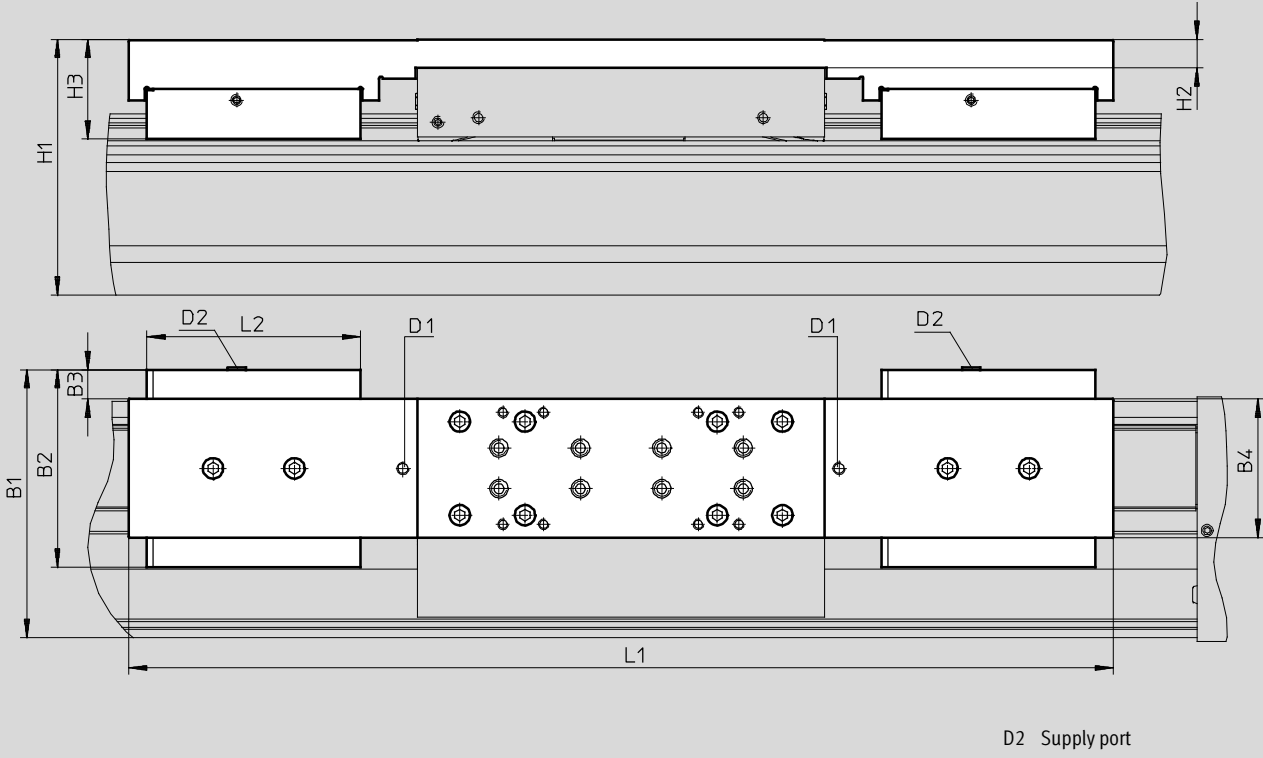
### Dimensions

Download CAD data → [www.festo.com](http://www.festo.com)

1HL/1HR/2H – With clamping unit

Size 120/185

2-channel



Type	B1	B2	B3	B4	H1	H2	H3	D1	D2	L1	L2
<b>Size 120</b>											
EGC-120-...-1HL-PN	133.5	97	15.5	68	125.5	14	48.9	M6	M5	342	105
EGC-120-...-1HR-PN											
EGC-120-...-C-1HL-PN											
EGC-120-...-C-1HR-PN											
EGC-120-...-2H-PN											
EGC-120-...-C-2H-PN										484	
<b>Size 185</b>											
EGC-185-...-1HL-PN	196.5	131	12.5	108	189.5	17	64.1	M6	M5	432	109
EGC-185-...-1HR-PN											
EGC-185-...-C-1HL-PN											
EGC-185-...-C-1HR-PN											
EGC-185-...-2H-PN											
EGC-185-...-C-2H-PN										584	

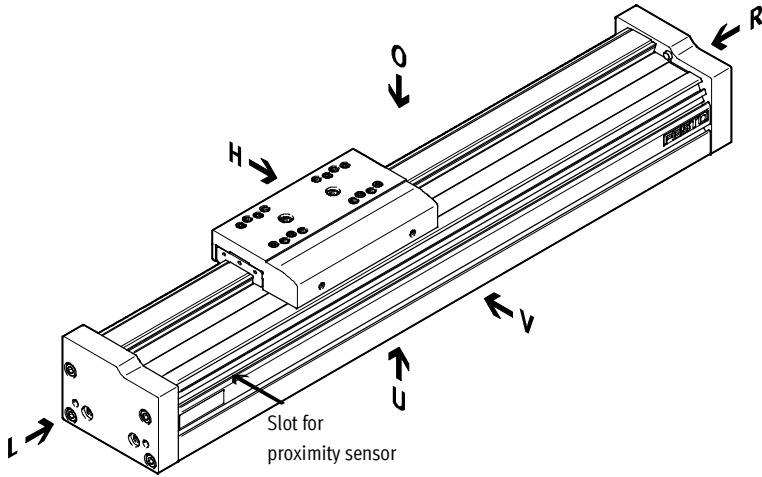
# Passive guide axes EGC-FA, without drive

Ordering data – Modular products

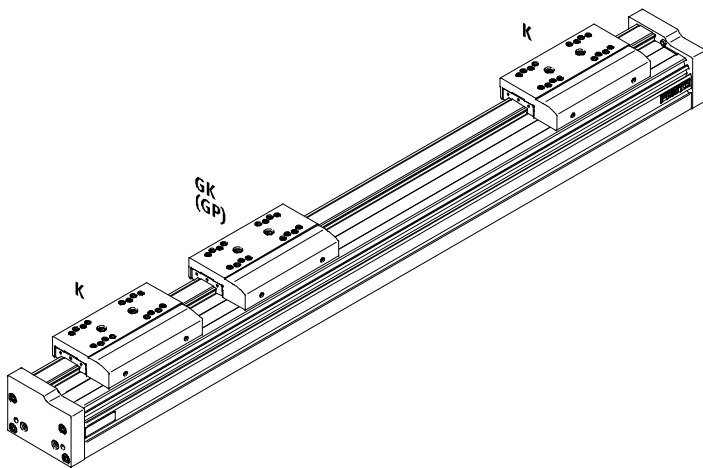
FESTO

## Order code

Mandatory data



- O top
- U underneath
- R right
- L left
- V front
- H rear



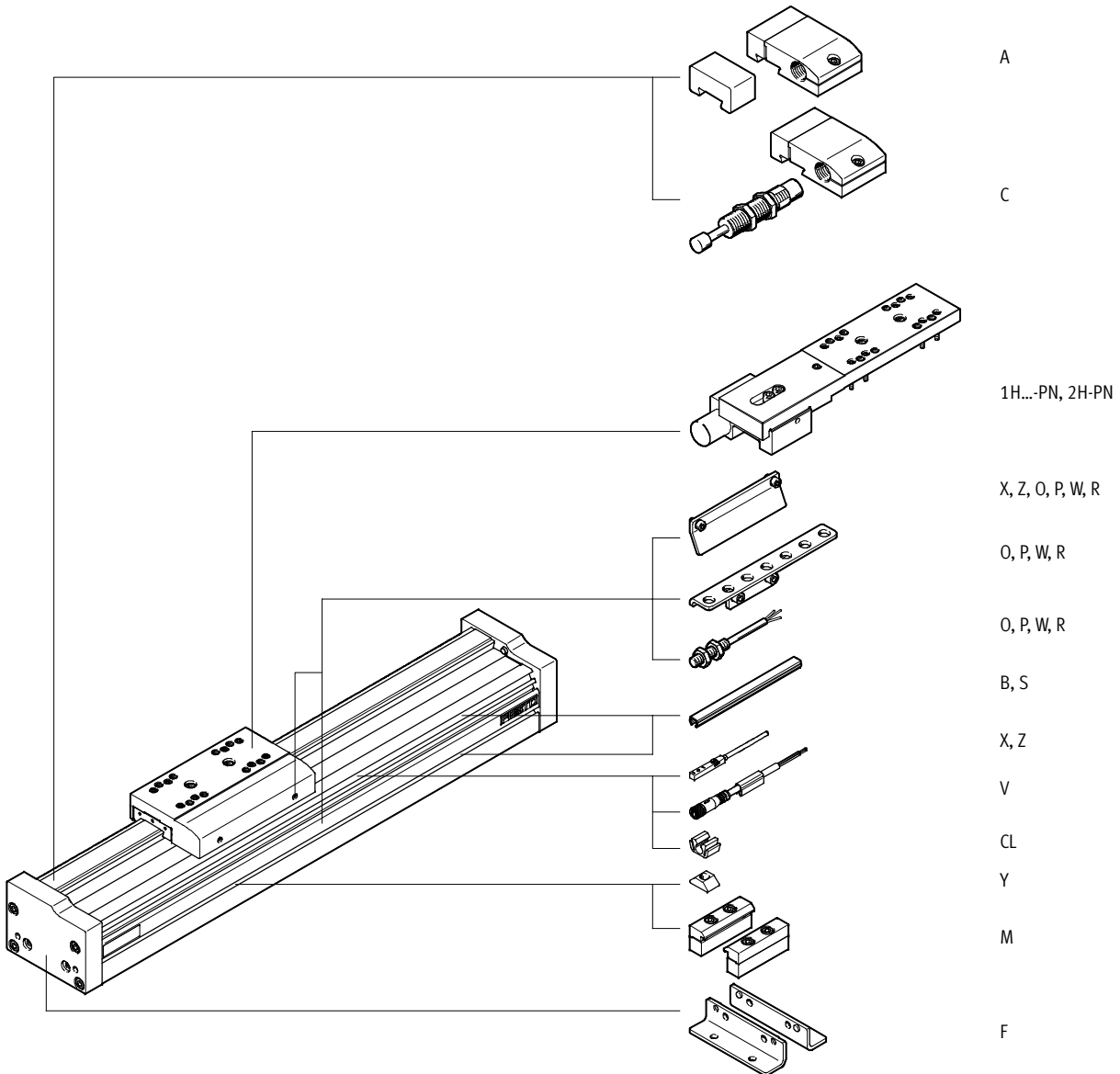


# Passive guide axes EGC-FA, without drive

Ordering data – Modular products

Order code

Accessories



## Passive guide axes EGC-FA, without drive

Ordering data – Modular products

Ordering table							
Size	70	80	120	185	Condi- tions	Code	Enter code
<b>M</b> Module No.	<b>558 864</b>	<b>558 865</b>	<b>558 866</b>	<b>558 868</b>			
Design	Passive guide axis					<b>EGC</b>	EGC
Size	70	80	120	185		-...	-...
Stroke [mm]	50 ... 5,000	50 ... 8,500	50 ... 8,500	50 ... 8,500	<b>1</b>	-...	-...
Guide	Passive guide axis					<b>-FA</b>	-FA
Stroke reserve [mm]	0 ... 999 (0 = no stroke reserve)				<b>1</b>	<b>-...H</b>	
Slide	Standard slide					<b>-GK</b>	
	Standard slide, protected				-	<b>-GP</b>	
<b>0</b> Additional slide	1 ... 2				<b>2</b>	<b>-...K</b>	
Lubrication function	Standard						
	-	Lubrication adapter				<b>-C</b>	
Clamping unit	-	1-channel, left			<b>3</b>	<b>-1HL</b>	
	-	1-channel, right			<b>3</b>	<b>-1HR</b>	
	-	2-channel			<b>3</b>	<b>-2H</b>	
Actuation type	-	Pneumatic				<b>-PN</b>	

- 1** -... The sum of the stroke length and 2x stroke reserve must not exceed the maximum stroke length
- 2** ... **K** If the protected slide variant (GP) is selected, then the additional slide is also protected  
If the slide with lubrication adapter (GK-C) is selected, the additional slide (KL, KR) is also supplied with lubrication adapter  
Additional slides (K) cannot be ordered for long strokes → product configurator. Please contact your local contact person at Festo if necessary  
Working stroke reduction in combination with additional slide (K) → 11
- 3** **1HL, 1HR, 2H** Not with additional slide K  
Only with PN  
Working stroke reduction in combination with clamping unit (1HL, 1HR, 2H) → 12

**Order code**

-  -  -  -  -  -  -  -  -  -  -

# Passive guide axes EGC-FA, without drive

Ordering data – Modular products

Ordering table				70	80	120	185	Condi- tions	Code	Enter code
Size										
↓	Accessories	Accessories enclosed separately							ZUB-	ZUB-
0	Foot mounting	1							F	
	Profile mounting	1 ... 50							...M	
	Cover	Mounting slot	1 ... 50 (1 = 2 units, 500 mm)					...B		
		Sensor slot	1 ... 50 (1 = 2 units, 500 mm)					...S		
	Slot nut for mounting slot		1 ... 99					...Y		
	Proximity sensor (SIES), inductive, slot type 8, PNP, incl. switch lug	N/O contact, 7.5 m cable	1 ... 6					...X		
		N/C contact, 7.5 m cable	1 ... 6					...Z		
	Emergency buffer with retainer		1 ... 2				4	...A		
	Shock absorber with retainer		1 ... 2				5	...C		
	Proximity sensor (SIEN), inductive, M8, PNP, incl. switch lug with sensor bracket	N/O contact, 2.5 m cable	1 ... 99					...O		
		N/C contact, 2.5 m cable	1 ... 99					...P		
		N/O contact, plug M8	1 ... 99					...W		
		N/C contact, plug M8	1 ... 99					...R		
	Plug socket with cable 2.5 m, M8, 3-wire		1 ... 99					...V		
	Cable clip		10, 20, 30, 40, 50, 60, 70, 80, 90					...CL		
	Operating instructions		Express waiver - no operating instructions to be included (already available) (operating instructions in pdf format are available free of charge on the Internet at <a href="http://www.festo.com">www.festo.com</a> )					-DN		

- 4 ...A Emergency buffer with retainer A cannot be combined with slide GP, GK-C, shock absorber with retainer C and clamping unit 1H...-PN, 2H-PN
- 5 ...C Shock absorber with retainer C cannot be combined with slide GP, GK-C, emergency buffer with retainer A and clamping unit 1H...-PN, 2H-PN

- - Note

The code X, Z includes a switch lug in the scope of delivery.

The code O, P, W, R includes one switch lug and max. two sensor brackets in the scope of delivery.

**Transfer order code**

ZUB  -                      -

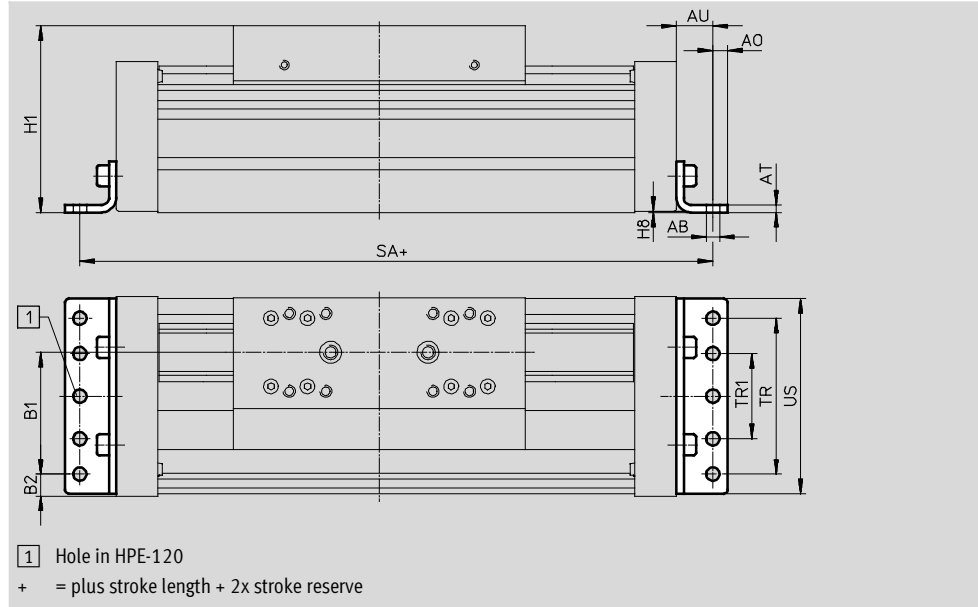
# Passive guide axes EGC-FA, without drive

Accessories



**Foot mounting HPE**  
(order code F)

Material:  
Galvanised steel  
RoHS-compliant



Dimensions and ordering data								
For size	AB Ø	A0	AT	AU	B1	B2	H1	H8
70	5.5	6	3	13	37	14.5	64	0.5
80	5.5	6	3	15	38	21	76.5	0.5
120	9	8	6	22	65	20	111.5	0.6
185	9	12	8	25	118	13	172.5	0.5

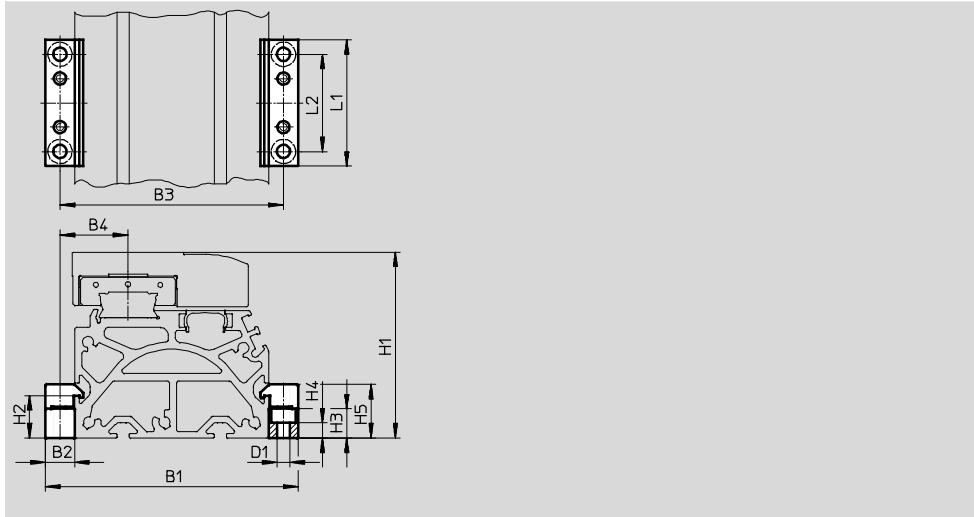
For size	SA	TR	TR1	US	Weight [g]	Part No.	Type
	GK						
70	189	40	-	67	115	558 321	HPE-70
80	220	40	-	80	150	558 322	HPE-80
120	350	80	-	116	578	558 323	HPE-120
185	456	160	80	182	1,438	558 325	HPE-185

# Passive guide axes EGC-FA, without drive

Accessories

**Profile mounting MUE**  
(order code M)

Material:  
Anodised aluminium  
RoHS-compliant



Dimensions and ordering data								
For size	B1	B2	B3	B4	D1 Ø	H1	H2	H3
70	91	12	79	22.5	5.5	64	17.5	12
80	104	12	92	28	5.5	76.5	17.5	12
120	154	19	135	42.5	9	111.5	16	14
185	220	19	201	62.5	9	172.5	16	14

For size	H4	H5	L1	L2	Weight [g]	Part No.	Type
70	6.2	22	52	40	80	558 043	MUE-70/80
80	6.2	22	52	40	80	558 043	MUE-70/80
120	5.5	29.5	90	40	290	558 044	MUE-120/185
185	5.5	29.5	90	40	290	558 044	MUE-120/185

# Passive guide axes EGC-FA, without drive

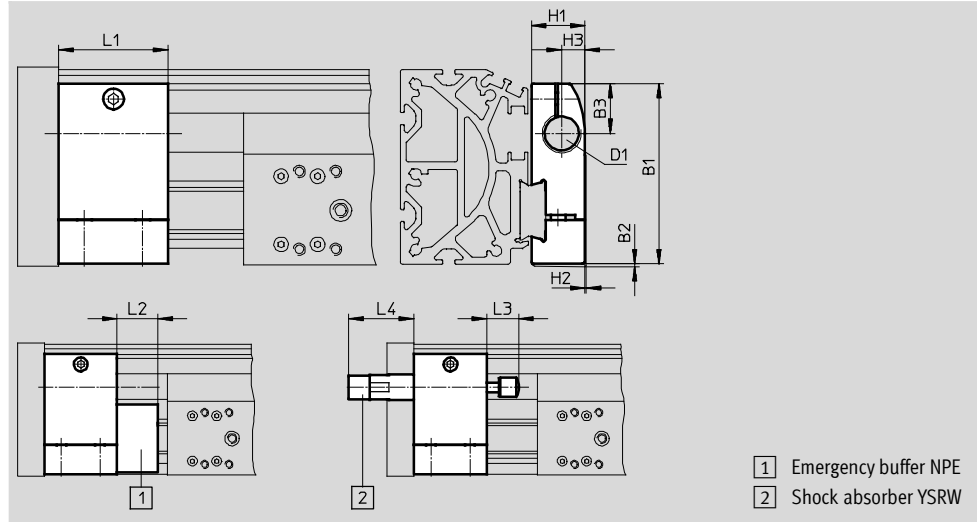
Accessories



**Shock absorber retainer KYE**  
 Emergency buffer NPE → 32  
 Shock absorber YSRW → 32  
 (order code A or C)

Material:  
 Anodised aluminium  
 RoHS-compliant

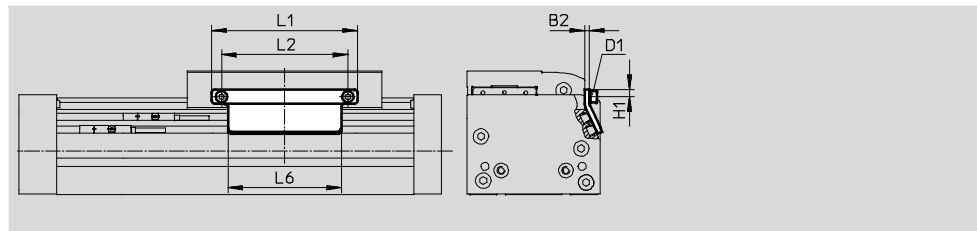
Cannot be used in combination with  
 the variant GP or GK-C and 1H...-PN,  
 2H-PN.



Dimensions and ordering data														
For size	B1	B2	B3	D1	H1	H2	H3	L1	L2	L3	L4	Weight [g]	Part No.	Type
70	57.5	1	16.5	M12X1	18.2	0.5	7.5	30	15	14	32	75	557 584	KYE-70
80	74.2	1	20.5	M16X1	22	0.5	9.5	45	25	20	41	170	557 585	KYE-80
120	108.5	1	26	M22X1.5	31	1	14	60	40	26	48.5	680	557 586	KYE-120
185	168	1	37	M26X1.5	42	4	18	75	60	34	58.5	1,075	557 587	KYE-185

**Switch lug SF-EGC-1**  
 for sensing via proximity sensor  
 SIES-8M  
 (order code X or Z)

Material:  
 Galvanised steel  
 RoHS-compliant



Dimensions and ordering data									
For size	B2	D1	H1	L1	L2	L6	Weight [g]	Part No.	Type
70	3	M4	4.65	70	56	50	50	558 047	SF-EGC-1-70
80	3	M4	4.65	90	78	70	60	558 048	SF-EGC-1-80
120	3	M5	8	170	140	170	150	558 049	SF-EGC-1-120
185	3	M5	10	230	200	230	245	558 051	SF-EGC-1-185

# Passive guide axes EGC-FA, without drive

Accessories

## Switch lug SF-EGC-2

for sensing via proximity sensor  
SIEN-M8B (order code O, P, W or R) or  
SIES-8M (order code X or Z)

Material:

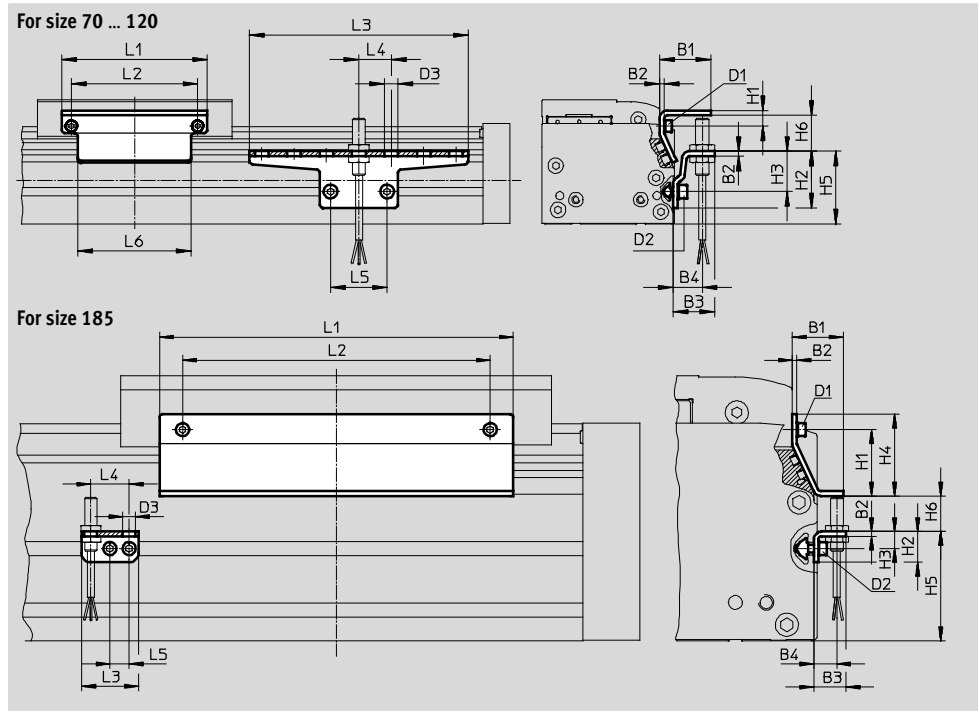
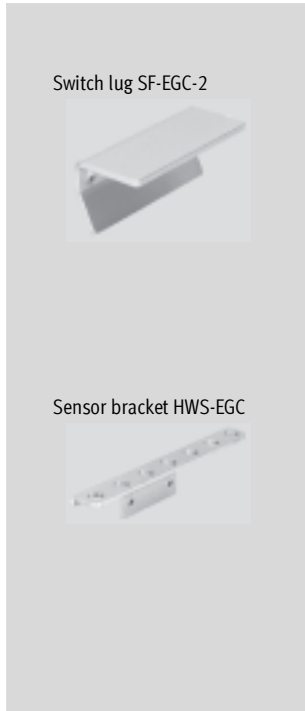
Galvanised steel  
RoHS-compliant

## Sensor bracket HWS-EGC

for proximity sensor SIEN-M8B  
(order code O, P, W or R)

Material:

Galvanised steel  
RoHS-compliant



Dimensions and ordering data									
For size	B1	B2	B3	B4	D1	D2	D3	H1	H2
70	31.5	3	25.5	18	M4	M5	8.4	9.5	35
80	31.5	3	25.5	18	M4	M5	8.4	9.5	35
120	32	3	25.5	18	M5	M5	8.4	13.2	65
185	33	3	25.5	15	M5	M5	8.4	43	20

For size	H3	H4	H5	H6 max.	L1	L2	L3	L4	L5	L6
70	25	-	45	13.5	70	56	135	20	35	50
80	25	-	45	23.5	90	78	135	20	35	70
120	55	-	75	24	170	140	215	20	35	170
185	11	53	71	25.5	230	200	37	25	12.5	230

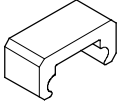
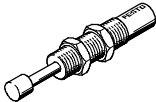


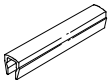
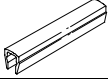

For size	Weight [g]	Part No.	Type
Switch lug			
70	100	558 052	SF-EGC-2-70
80	130	558 053	SF-EGC-2-80
120	280	558 054	SF-EGC-2-120
185	390	558 056	SF-EGC-2-185

For size	Weight [g]	Part No.	Type
Sensor bracket			
70	110	558 057	HWS-EGC-M5
80	110	558 057	HWS-EGC-M5
120	200	570 365	HWS-EGC-M8-B
185	60	560 517	HWS-EGC-M8-KURZ

# Passive guide axes EGC-FA, without drive

Accessories

FESTO

Ordering data						
	For size	Remarks	Order code	Part No.	Type	PU <sup>1)</sup>
<b>Emergency buffer NPE</b>						
	70	For use in combination with shock absorber retainer KYE	A	<b>562 581</b>	<b>NPE-70</b>	1
	80			<b>562 582</b>	<b>NPE-80</b>	
	120			<b>562 583</b>	<b>NPE-120</b>	
	185			<b>562 584</b>	<b>NPE-185</b>	
<b>Shock absorber YSRW</b> <span style="float: right;">Technical data → Internet: ysrw</span>						
	70	For use in combination with shock absorber retainer KYE	C	<b>191 194</b>	<b>YSRW-8-14</b>	1
	80			<b>191 196</b>	<b>YSRW-12-20</b>	
	120			<b>191 197</b>	<b>YSRW-16-26</b>	
	185			<b>191 198</b>	<b>YSRW-20-34</b>	
<b>Slot nut NST</b>						
	70, 80	For mounting slot	Y	<b>150 914</b>	<b>NST-5-M5</b>	1
	120, 185			<b>150 915</b>	<b>NST-8-M6</b>	
<b>Centring pin/sleeve ZBS/ZBH<sup>2)</sup></b>						
	70	For slide	-	<b>150 928</b>	<b>ZBS-5</b>	10
	80, 120, 185			<b>150 927</b>	<b>ZBH-9</b>	
<b>Slot cover ABP</b>						
	70, 80	For mounting slot every 0.5 m	B	<b>151 681</b>	<b>ABP-5</b>	2
	120, 185			<b>151 682</b>	<b>ABP-8</b>	
<b>Slot cover ABP-S</b>						
	70 ... 185	For sensor slot every 0.5 m	S	<b>563 360</b>	<b>ABP-5-S1</b>	2
<b>Clip SMBK</b>						
	70 ... 185	For sensor slot, for attaching the proximity sensor cables	CL	<b>534 254</b>	<b>SMBK-8</b>	10

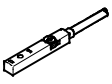
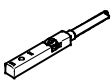
1) Packaging unit


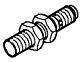


2) 2 centring pins/sleeves included in the scope of delivery of the axis


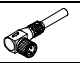


# Passive guide axes EGC-FA, without drive

Accessories

Ordering data – Proximity sensors for T-slot, inductive							Technical data → Internet: sies	
	Type of mounting	Electrical connection	Switching output	Cable length [m]	Order code	Part No.	Type	
<b>N/O contact</b>								
	Insertable in the slot from above, flush with the cylinder profile	Cable, 3-wire	PNP	7.5	X	551386	SIES-8M-PS-24V-K-7,5-OE	
		Plug M8x1, 3-pin		0.3	–	551387	SIES-8M-PS-24V-K-0,3-M8D	
		Cable, 3-wire	NPN	7.5	–	551396	SIES-8M-NS-24V-K-7,5-OE	
		Plug M8x1, 3-pin		0.3	–	551397	SIES-8M-NS-24V-K-0,3-M8D	
<b>N/C contact</b>								
	Insertable in the slot from above, flush with the cylinder profile	Cable, 3-wire	PNP	7.5	Z	551391	SIES-8M-PO-24V-K-7,5-OE	
		Plug M8x1, 3-pin		0.3	–	551392	SIES-8M-PO-24V-K-0,3-M8D	
		Cable, 3-wire	NPN	7.5	–	551401	SIES-8M-NO-24V-K-7,5-OE	
		Plug M8x1, 3-pin		0.3	–	551402	SIES-8M-NO-24V-K-0,3-M8D	

Ordering data – Proximity sensors M8 (round design), inductive							Technical data → Internet: sien	
	Electrical connection	LED	Switching output	Cable length [m]	Order code	Part No.	Type	
<b>N/O contact</b>								
	Cable, 3-wire	■	PNP	2.5	O	150386	SIEN-M8B-PS-K-L	
	Plug M8x1, 3-pin	■	PNP	–	W	150387	SIEN-M8B-PS-S-L	
<b>N/C contact</b>								
	Cable, 3-wire	■	PNP	2.5	P	150390	SIEN-M8B-PO-K-L	
	Plug M8x1, 3-pin	■	PNP	–	R	150391	SIEN-M8B-PO-S-L	

Ordering data – Connecting cables					Technical data → Internet: nebu	
	Electrical connection, left	Electrical connection, right	Cable length [m]	Part No.	Type	
	Straight socket, M8x1, 3-pin	Cable, open end, 3-wire	2.5	159 420	SIM-M8-3GD-2,5-PU	
			2.5	541 333	NEBU-M8G3-K-2.5-LE3	
			5	541 334	NEBU-M8G3-K-5-LE3	
	Angled socket, M8x1, 3-pin	Cable, open end, 3-wire	2.5	541 338	NEBU-M8W3-K-2.5-LE3	
			5	541 341	NEBU-M8W3-K-5-LE3	