

Adsorption dryers PDAD, NPT

FESTO



Adsorption dryers PDAD, NPT

Key features



Description	Areas of application	Features/Advantages/Benefits	
<p>Cold-regenerating adsorption dryer with defined pressure dew point and high flow rate for decentralised compressed air drying</p> <p>The utilisation of adsorption dryers is always required when pressure dew points of less than -20 °C need to be achieved reliably.</p>	<ul style="list-style-type: none"> • Sensors • Semiconductor manufacturing • Manufacture of foils and packaging • Transportation of powder • Dental technology • Painting systems • Food industry • Pharmaceuticals 	<ul style="list-style-type: none"> • The solution for dry and clean compressed air • Greater service life of pneumatic components • Pressure dew point -40 °C or -70 °C (with reduced flow rate) • Additional filtering of oil and particulate • Produced for decentralised compressed air drying 	<ul style="list-style-type: none"> • High flow rate performance up to 2,400 l/min • Selectable voltage for electrical connection • Low purge air consumption and noise levels • Complies with air purity class at the output up to 2.1.1 in accordance with DIN ISO 8573-1 at a pressure dew point of -70 °C

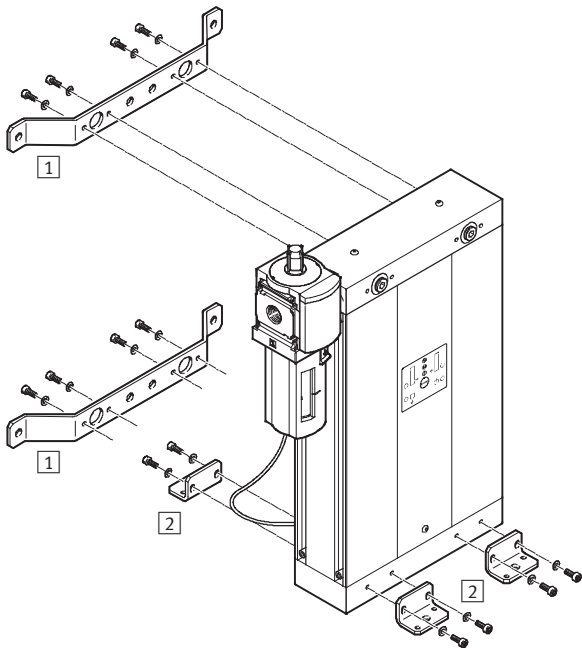
Lower costs	Reduced maintenance costs	Flexible installation	User-friendly
<p>Controlled, decentralised drying directly at the consuming device is advantageous because only the actually required amount of dry air is prepared. This reduces energy costs, and prevents corrosion, thus extending the service life of components.</p>	<p>Complete cartridges containing drying agent allow fast and easy replacement of the drying agent. Pre-filled cartridges guarantee fast and clean cartridge replacement.</p> <p>Maintenance costs are reduced because the integrated secondary filter (grade of filtration $1\text{ }\mu\text{m}$) in every cartridge retains the abraded particles of the drying agent.</p>	<p>Space-optimised and flexible mounting thanks to the integrated secondary filter.</p>	<p>A clear operating display shows drying cycles and service functions.</p>

Function	Notes		
<p>The air stream is passed through the supplied prefilter, a micro filter with grade of filtration $0.01\text{ }\mu\text{m}$. It protects the drying agents from contaminating dirt and oil particles (oil significantly reduces the service life of the drying agent). The adsorption dryer consists of two cartridges (four in the case of the PDAD-100) filled with drying agent. Moist compressed air flows</p>	<p>through the two cartridges alternately, and the water from the air accumulates on the surface of the drying agent. After a predetermined period of time, the flow of air is switched to the other cartridge and a portion of the dried air (purge air) is used to regenerate the drying agent in the first cartridge. The purge air escapes into the atmosphere.</p>	<p>The drying agent has a service life of approx. 12,000 operating hours. The average purge air requirement under nominal conditions (7 bar/25 °C) is approx. 17%. If the dryer is used under different operating conditions, the input air/purge air ratio may change as the purge air</p>	<p>consumption is only dependent on the input air and not on the used output flow rate.</p> <p>The volume of purge air must therefore be adapted to different supply pressures by replacing the air blast nozzle (air nozzle set with 3 air blast nozzles ADNA → 9).</p>

Adsorption dryers PDAD, NPT

Peripherals overview and type codes

Peripherals overview



Mounting attachments and accessories

		→ Page/Internet
1	Wall mounting kit ABMW	8
2	Foot mounting ABMF	8
-	Service kit PDAD-SP	9
-	Air nozzle ADNA	9

Type codes

PDAD – 22 – N $\frac{3}{8}$

Basic function

PDAD	Adsorption dryer
------	------------------

Output flow rate under nominal conditions (supply pressure 7 bar, pressure dew point -40 °C, temperate of medium at input 25 °C)

09	87 l/min
13	126 l/min
22	212 l/min
51	506 l/min
73	729 l/min
100	994 l/min

Pneumatic connection

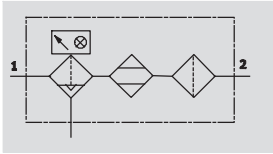
PDAD-09/13/22/51	
N $\frac{3}{8}$	Thread NPT $\frac{3}{8}$ -18
PDAD-73/100	
N $\frac{1}{2}$	Thread NPT $\frac{1}{2}$ -14

Adsorption dryers PDAD, NPT

Technical data

FESTO

Function



Flow rate

40 ... 2,400 l/min

Temperature range

+2 ... +50 °C

Pressure

4 ... 16 bar

Pressure dew point

-40 °C or -70 °C



General technical data		PDAD-09	PDAD-13	PDAD-22	PDAD-51	PDAD-73	PDAD-100
Type		NPT $\frac{3}{8}$ -18				NPT $\frac{1}{2}$ -14	
Pneumatic connection 1, 2							
Design		Cold regenerating adsorption dryer					
Type of mounting		With accessories					
Mounting position		Upright					
		Horizontal					
Pressure dew point	[°C]	-40					
		-70 (with reduced flow rate)					
Air purity class at the output		Compressed air in accordance with ISO 8573-1:2010 [2:2:2] (at a pressure dew point of -40 °C)					
		Compressed air in accordance with ISO 8573-1:2010 [2:1:2] (at a pressure dew point of -70 °C)					
Electrical data							
Electrical connection		2 connections (12 ... 24 V DC or 110 ... 240 V AC) for power supply sockets					
Power consumption	DC	Approx. 9.6 W (24 V/0.4 A typ.)					
	AC	Approx. 16 VA (230 V/0.07 A typ.)					
Protection class		IP65 (to DIN 40050)					
Materials							
Body		Wrought aluminium alloy					

Operating and environmental conditions		PDAD-09	PDAD-13	PDAD-22	PDAD-51	PDAD-73	PDAD-100
Supply pressure	[bar]	4 ... 16					
Operating medium		Compressed air in accordance with ISO 8573-1:2010 [6:4:4]					
Note on operating/pilot medium		Operation with lubricated medium not possible					
Ambient temperature	[°C]	+5 ... +50					
Temperature of medium	[°C]	+2 ... +50					
Storage temperature	[°C]	-20 ... +60					
Corrosion resistance class CRC ¹⁾		2					
CE mark (see declaration of conformity)		In accordance with EU EMC directive					
		In accordance with EU Low Voltage Directive					
		In accordance with EU Pressure Equipment Directive					

1) Corrosion resistance class 2 to Festo standard 940 070

Components subject to moderate corrosion stress. Externally visible parts with primarily decorative surface requirements which are in direct contact with a normal industrial environment or media such as coolants or lubricating agents.

Weights [g]		PDAD-09	PDAD-13	PDAD-22	PDAD-51	PDAD-73	PDAD-100
Adsorption dryer		13,000	14,000	16,500	24,000	31,000	47,000

Adsorption dryers PDAD, NPT

Technical data



Note

Please do not use the average consumption values (flow rate) as your guide when setting up the dryer, instead use

- the inlet pressure of the dryer,
- the peak value for the flow rate and
- the maximum permissible supply temperature.

The adsorption dryers are designed for continuous operation. Intensely pulsed or intermittent operation leads to the premature aging of and/or damage to the drying agent and thus to the failure of the dryer.

If the adsorption dryer PDAD is nonetheless to be used in pulsed or intermittent mode the use of buffer

reservoirs, through which the compressed air flows, is recommended for smoothing the pressure peaks. Depending on the application these can be mounted upstream and/or downstream of the dryer. The volume of a reservoir should be approx. 50% of the flow rate for one minute.

Note

On delivery the adsorption dryer PDAD is configured with an air nozzle for a supply pressure of 7 ... 9 bar.

If a different supply pressure is used, the air nozzle must be replaced. The set containing the other air nozzles must be ordered separately → 9.

Nominal flow rate q_n [l/min] for pressure dew point -40 °C (temperature of medium at inlet 25 °C saturated)

q_n	Supply pressure p [bar]													
	4	5	6	7	8	9	10	11	12	13	14	15	16	
PDAD-09														
Inlet	73.6	88.3	103.1	117.8	132.5	147.2	162.0	176.7	191.4	206.1	220.9	235.6	250.3	
	Air nozzle no. 9			Air nozzle no. 7			Air nozzle no. 6			Air nozzle no. 5				
Purge air	33.0	30.0	34.0	31.0	36.0	40.0	31.0	34.0	37.0	30.0	32.0	34.0	36.0	
Outlet	40.6	58.3	69.1	86.8	96.5	107.2	131.0	142.7	154.4	176.1	188.9	201.6	214.3	
PDAD-13														
Inlet	109.6	132.5	153.7	176.7	197.9	220.9	242.1	265.1	286.3	309.2	330.4	353.4	374.6	
	Air nozzle no. 10			Air nozzle no. 8			Air nozzle no. 7			Air nozzle no. 6				
Purge air	42.0	52.0	61.0	51.0	54.0	68.0	45.0	49.0	54.0	62.0	67.0	71.0	76.0	
Outlet	67.6	80.5	92.7	125.7	143.9	152.9	197.1	216.1	232.3	247.2	263.4	282.4	298.6	
PDAD-22														
Inlet	186.2	225.3	261.3	300.4	336.4	375.5	411.5	450.6	486.6	525.7	561.7	600.8	636.8	
	Air nozzle no. 14			Air nozzle no. 12			Air nozzle no. 10			Air nozzle no. 9				
Purge air	76.0	89.0	106.0	88.0	97.0	107.0	86.0	96.0	106.0	89.0	96.0	103.0	111.0	
Outlet	110.2	136.3	155.3	212.4	239.4	268.5	325.5	354.6	380.6	436.7	465.7	497.8	525.8	
PDAD-51														
Inlet	416.3	503.6	584.2	671.5	752.0	839.3	919.9	1,007.2	1,087.8	1,175.1	1,255.6	1,342.9	1,423.5	
	Air nozzle no. 23			Air nozzle no. 17			Air nozzle no. 14			Air nozzle no. 12				
Purge air	166.0	204.0	230.0	165.5	194.5	216.0	165.0	182.5	198.5	160.5	176.0	182.5	201.5	
Outlet	250.3	299.6	354.2	506.0	557.5	623.3	754.9	824.7	889.3	1,014.6	1,079.6	1,160.4	1,222.0	
PDAD-73														
Inlet	613.5	742.1	860.9	989.5	1,108.3	1,236.9	1,355.7	1,484.3	1,603.0	1,731.7	1,850.4	1,979.1	2,097.8	
	Air nozzle no. 29			Air nozzle no. 24			Air nozzle no. 17			Air nozzle no. 15				
Purge air	233.0	270.0	311.0	261.0	302.0	339.0	248.0	272.0	295.0	243.0	261.0	282.0	301.0	
Outlet	380.5	472.1	549.9	728.5	806.3	897.9	1,107.7	1,212.3	1,308.0	1,488.7	1,589.4	1,697.1	1,796.8	
PDAD-100														
Inlet	821.7	993.9	1,153.0	1,325.3	1,484.3	1,656.6	1,815.6	1,987.9	2,146.9	2,319.2	2,478.2	2,650.5	2,809.6	
	Air nozzle no. 23			Air nozzle no. 17			Air nozzle no. 14			Air nozzle no. 12				
Purge air	332.0	408.0	460.0	331.0	389.0	432.0	330.0	365.0	397.0	321.0	352.0	365.0	403.0	
Outlet	489.7	585.9	693.0	994.3	1,095.3	1,224.6	1,485.6	1,622.9	1,749.9	1,998.2	2,126.2	2,285.5	2,406.6	

Adsorption dryers PDAD, NPT

FESTO

Technical data

Nominal flow rate q_n [l/min] for pressure dew point -70 °C (temperature of medium at inlet 25 °C saturated)													
q_n	Supply pressure [bar]												
	4	5	6	7	8	9	10	11	12	13	14	15	16
PDAD-09													
Inlet	51.5	61.8	72.1	82.5	92.8	103.1	113.4	123.7	134.0	144.3	154.6	164.9	175.2
	Air nozzle no. 9			Air nozzle no. 7			Air nozzle no. 6			Air nozzle no. 5			
Purge air	33.0	30.0	34.0	31.0	36.0	40.0	31.0	34.0	37.0	30.0	32.0	34.0	36.0
Outlet	18.5	31.8	38.1	51.5	56.8	63.1	82.4	89.7	97.0	114.3	122.6	130.9	139.2
PDAD-13													
Inlet	77.3	92.8	108.2	123.7	139.2	154.6	170.1	185.5	201.0	216.5	231.9	247.4	262.8
	Air nozzle no. 10			Air nozzle no. 8			Air nozzle no. 7			Air nozzle no. 6			
Purge air	42.0	52.0	61.0	51.0	54.0	68.0	45.0	49.0	54.0	62.0	67.0	71.0	76.0
Outlet	35.3	40.8	47.2	72.7	85.2	86.6	125.1	136.5	147.0	154.5	164.9	176.4	186.8
PDAD-22													
Inlet	131.4	157.7	184.0	210.3	236.6	262.8	289.1	315.4	341.7	368.0	394.3	420.6	446.8
	Air nozzle no. 14			Air nozzle no. 12			Air nozzle no. 10			Air nozzle no. 9			
Purge air	76.0	89.0	106.0	88.0	97.0	107.0	86.0	96.0	106.0	89.0	96.0	103.0	111.0
Outlet	55.4	68.7	78.0	122.3	139.6	155.8	203.1	219.4	235.7	279.0	298.3	317.6	335.8
PDAD-51													
Inlet	293.8	352.5	411.3	470.0	528.8	587.5	646.3	705.0	763.8	822.5	881.3	940.1	998.8
	Air nozzle no. 23			Air nozzle no. 17			Air nozzle no. 14			Air nozzle no. 12			
Purge air	166.0	204.0	230.0	165.5	194.5	216.0	165.0	182.5	198.5	160.5	176.0	182.5	201.5
Outlet	127.8	148.5	181.3	304.5	334.3	371.5	481.3	522.5	565.3	662.0	705.3	757.6	797.3
PDAD-73													
Inlet	432.9	519.5	606.1	692.7	779.3	865.8	952.4	1,039.0	1,125.6	1,212.2	1,298.8	1,385.3	1,471.9
	Air nozzle no. 29			Air nozzle no. 24			Air nozzle no. 17			Air nozzle no. 15			
Purge air	233.0	270.0	311.0	261.0	302.0	339.0	248.0	272.0	295.0	243.0	261.0	282.0	301.0
Outlet	199.9	249.5	295.1	431.7	477.3	526.8	704.4	767.0	830.6	969.2	1,037.8	1,103.3	1,170.9
PDAD-100													
Inlet	579.8	695.8	811.7	927.7	1,043.6	1,159.6	1,275.6	1,391.5	1,507.5	1,623.4	1,739.4	1,855.4	1,971.3
	Air nozzle no. 23			Air nozzle no. 17			Air nozzle no. 14			Air nozzle no. 12			
Purge air	332.0	408.0	460.0	331.0	389.0	432.0	330.0	365.0	397.0	321.0	352.0	365.0	403.0
Outlet	247.8	287.8	351.7	596.7	654.6	727.6	945.6	1,026.5	1,110.5	1,302.4	1,387.4	1,490.4	1,568.3

Adsorption dryers PDAD, NPT

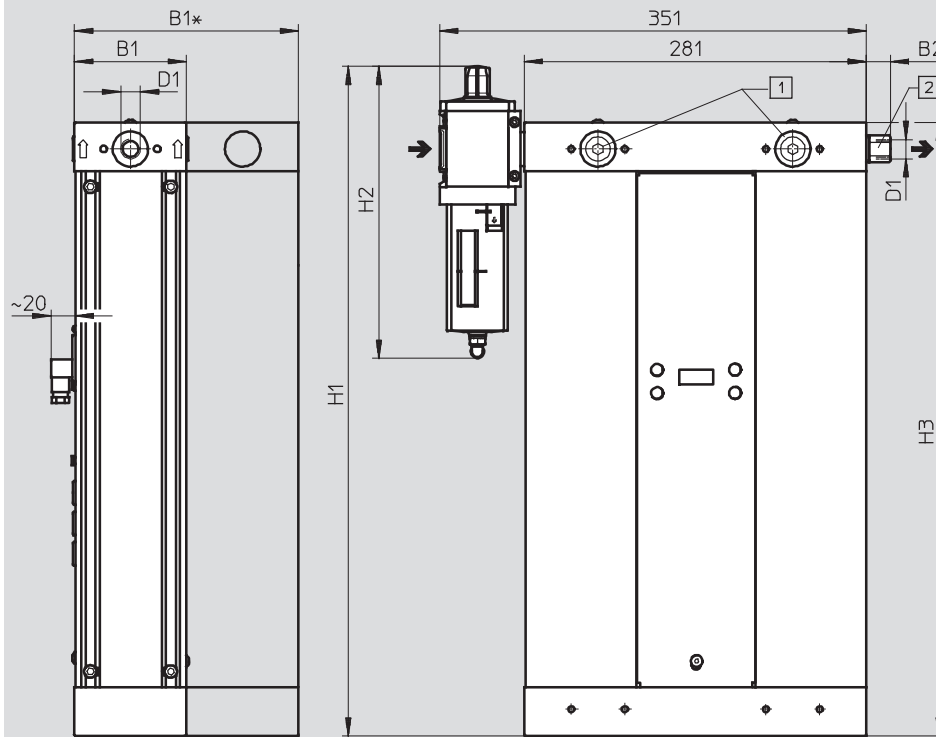
Technical data

FESTO

Dimensions

Download CAD Data → www.festo.com/us/cad

With prefilter and connecting kit



Note

Tube from condensate drain of the prefilter to the dryer is included in the scope of delivery.
The condensate drain port on the dryer with QSL-F push-in fitting is designed for tubing with a diameter of 4 mm (standard O.D. tubing).

- 1 Blanking plugs
- 2 NPT adapter

→ Flow direction

Type	D1	B1	B1*	B2	H1	H2	H3
PDAD-09	NPT $\frac{3}{8}$ -18	92	–	19.5	491	240	445
PDAD-13	NPT $\frac{3}{8}$ -18	92	–	19.5	550	240	504
PDAD-22	NPT $\frac{3}{8}$ -18	92	–	19.5	681	240	635
PDAD-51	NPT $\frac{3}{8}$ -18	92	–	19.5	1,111	240	1,065
PDAD-73	NPT $\frac{1}{2}$ -14	92	–	24.7	1,506	360	1,460
PDAD-100	NPT $\frac{1}{2}$ -14	–	184	24.7	1,111	360	1,065

Ordering data

With prefilter, connecting kit, power supply socket, adapter

Pneumatic connection	Outlet flow rate under nominal conditions ¹⁾ [l/min]	Part No.	Type
NPT $\frac{3}{8}$ -18	87	553757	PDAD-09-N $\frac{3}{8}$
	126	553758	PDAD-13-N $\frac{3}{8}$
	212	553759	PDAD-22-N $\frac{3}{8}$
	506	553760	PDAD-51-N $\frac{3}{8}$
NPT $\frac{1}{2}$ -14	729	553761	PDAD-73-N $\frac{1}{2}$
	994	553762	PDAD-100-N $\frac{1}{2}$

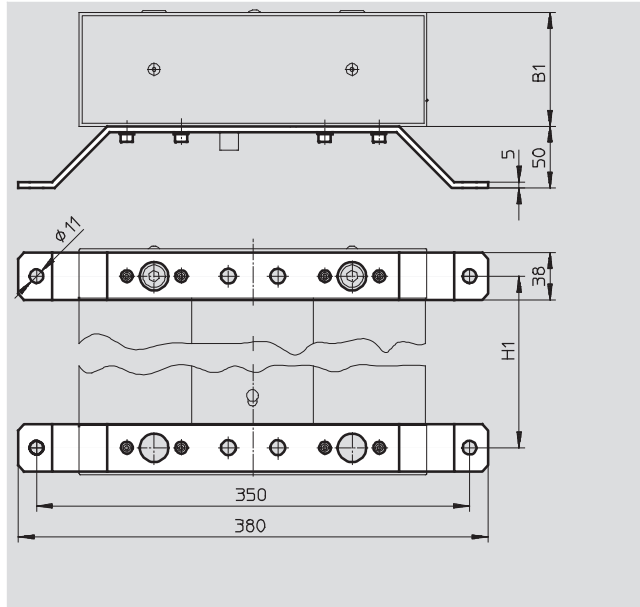
1) Supply pressure 7 bar, pressure dew point –40 °C, temperature of mediums at inlet 25 °C

Adsorption dryers PDAD, NPT

Accessories



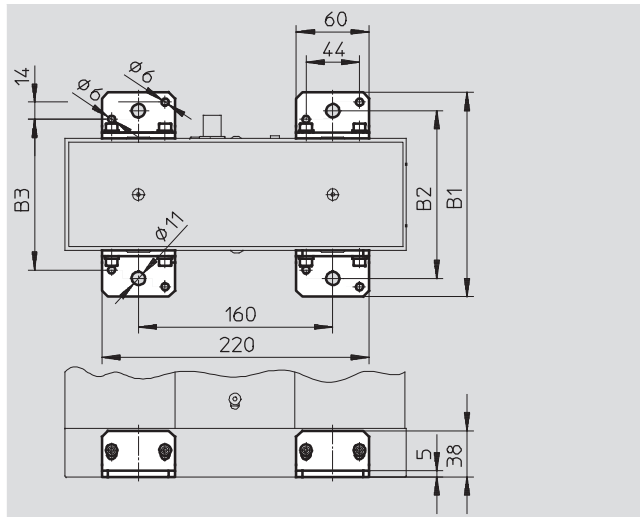
Wall mounting kit ABMW



Dimensions and ordering data												CRC ¹⁾	Part No.	Type
PDAD-09		PDAD-13		PDAD-22		PDAD-51		PDAD-73		PDAD-100				
B1	H1	B1	H1	B1	H1	B1	H1	B1	H1	B1	H1			
92	401	92	460	92	591	92	1,021	92	1,416	184	1,021	2	553756	ABMW-PDAD

1) Corrosion resistance class 2 to Festo standard 940 070
 Components subject to moderate corrosion stress. Externally visible parts with primarily decorative surface requirements which are in direct contact with a normal industrial environment or media such as coolants or lubricating agents.

Foot mounting ABMF



Dimensions and ordering data						CRC ¹⁾	Part No.	Type
PDAD-09/13/22/51/73			PDAD-100					
B1	B2	B3	B1	B2	B3			
168	138	124	260	230	216	2	553755	ABMF-PDAD

1) Corrosion resistance class 2 to Festo standard 940 070
 Components subject to moderate corrosion stress. Externally visible parts with primarily decorative surface requirements which are in direct contact with a normal industrial environment or media such as coolants or lubricating agents.

Adsorption dryers PDAD, NPT

Accessories

FESTO

Service kit PDAD-SP

with 2 drying agent cartridges
(4 drying agent cartridges in service kit PDAD-100-SP-...), sealing rings, plastic discs and a reset disc



Operating and environmental conditions		
Operating pressure	[bar]	4 ... 16
Operating medium		Compressed air in accordance with ISO 8573-1:2010 [1:4:1]
Note on operating/ pilot medium		Operation with lubricated medium not possible
Ambient temperature	[°C]	+5... +50
Temperature of medium	[°C]	+2 ... +50

Ordering data		
For type	Part No.	Type
PDAD-09	553749	PDAD-09-SP-12000
PDAD-13	553750	PDAD-13-SP-12000
PDAD-22	553751	PDAD-22-SP-12000
PDAD-51	553752	PDAD-51-SP-12000
PDAD-73	553753	PDAD-73-SP-12000
PDAD-100	553754	PDAD-100-SP-12000

Air nozzle ADNA

For adaptation of the purge air at a supply pressure of < 7 bar or > 9 bar



Ordering data		
For type	Part No.	Type
PDAD-09	553763	ADNA-PDAD-09
PDAD-13	553764	ADNA-PDAD-13
PDAD-22	553765	ADNA-PDAD-22
PDAD-51	553766	ADNA-PDAD-51
PDAD-73	553767	ADNA-PDAD-73
PDAD-100	553768	ADNA-PDAD-100

Adsorption dryers PDAD, NPT

Accessories

FESTO

Micro-filter cartridge MS6-LFM-A
For prefilter

Grade of filtration: 0.01 µm



Ordering data		
For type	Part No.	Type
PDAD-09/13/22/51	532909	MS6-LFM-A
PDAD-73/100	552093	MS6-LFM-A-HF

Product Range and Company Overview

A Complete Suite of Automation Services

Our experienced engineers provide complete support at every stage of your development process, including: conceptualization, analysis, engineering, design, assembly, documentation, validation, and production.



Custom Automation Components
Complete custom engineered solutions



Custom Control Cabinets
Comprehensive engineering support and on-site services



Complete Systems
Shipment, stocking and storage services

The Broadest Range of Automation Components

With a comprehensive line of more than 30,000 automation components, Festo is capable of solving the most complex automation requirements.



Electromechanical
Electromechanical actuators, motors, controllers & drives



Pneumatics
Pneumatic linear and rotary actuators, valves, and air supply



PLCs and I/O Devices
PLC's, operator interfaces, sensors and I/O devices

Supporting Advanced Automation... As No One Else Can!

Festo is a leading global manufacturer of pneumatic and electromechanical systems, components and controls for industrial automation, with more than 12,000 employees in 56 national headquarters serving more than 180 countries. For more than 80 years, Festo has continuously elevated the state of manufacturing with innovations and optimized motion control solutions that deliver higher performing, more profitable automated manufacturing and processing equipment. Our dedication to the advancement of automation extends beyond technology to the education and development of current and future automation and robotics designers with simulation tools, teaching programs, and on-site services.

Quality Assurance, ISO 9001 and ISO 14001 Certifications

Festo Corporation is committed to supply all Festo products and services that will meet or exceed our customers' requirements in product quality, delivery, customer service and satisfaction.

To meet this commitment, we strive to ensure a consistent, integrated, and systematic approach to management that will meet or exceed the requirements of the ISO 9001 standard for Quality Management and the ISO 14001 standard for Environmental Management.



© Copyright 2008, Festo Corporation. While every effort is made to ensure that all dimensions and specifications are correct, Festo cannot guarantee that publications are completely free of any error, in particular typing or printing errors. Accordingly, Festo cannot be held responsible for the same. For Liability and Warranty conditions, refer to our "Terms and Conditions of Sale", available from your local Festo office. All rights reserved. No part of this publication may be reproduced, distributed, or transmitted in any form or by any means, electronic, mechanical, photocopying or otherwise, without the prior written permission of Festo. All technical data subject to change according to technical update.



Printed on recycled paper at New Horizon Graphic, Inc., FSC certified as an environmentally friendly printing plant.

Festo North America

Festo Regional Contact Center

5300 Explorer Drive
Mississauga, Ontario L4W 5G4
Canada

USA Customers:

For ordering assistance,

Call: 1.800.99.FESTO (1.800.993.3786)

Fax: 1.800.96.FESTO (1.800.963.3786)

Email: customer.service@us.festo.com

For technical support,

Call: 1.866.GO.FESTO (1.866.463.3786)

Fax: 1.800.96.FESTO (1.800.963.3786)

Email: product.support@us.festo.com

Canadian Customers:

Call: 1.877.GO.FESTO (1.877.463.3786)

Fax: 1.877.FX.FESTO (1.877.393.3786)

Email: festo.canada@ca.festo.com

USA Headquarters

Festo Corporation
395 Moreland Road
P.O. Box 18023
Hauppauge, NY 11788, USA
www.festo.com/us

USA Sales Offices

Appleton

North 922 Tower View Drive, Suite N
Greenville, WI 54942, USA

Boston

120 Presidential Way, Suite 330
Woburn, MA 01801, USA

Chicago

1441 East Business Center Drive
Mt. Prospect, IL 60056, USA

Dallas

1825 Lakeway Drive, Suite 600
Lewisville, TX 75057, USA

Detroit – Automotive Engineering Center

2601 Cambridge Court, Suite 320
Auburn Hills, MI 48326, USA

New York

395 Moreland Road
Hauppauge, NY 11788, USA

Silicon Valley

4935 Southfront Road, Suite F
Livermore, CA 94550, USA

United States



USA Headquarters, East: Festo Corp., 395 Moreland Road, Hauppauge, NY 11788

Phone: 1.631.435.0800; Fax: 1.631.435.8026;

Email: info@festo-usa.com

www.festo.com/us

Canada



Headquarters: Festo Inc., 5300 Explorer Drive, Mississauga, Ontario L4W 5G4

Phone: 1.905.624.9000; Fax: 1.905.624.9001;

Email: festo.canada@ca.festo.com

www.festo.ca

Mexico



Headquarters: Festo Pneumatic, S.A., Av. Ceylán 3, Col. Tequesquahuac,
54020 Tlalneantla, Edo. de México

Phone: 011 52 [55] 53 21 66 00; Fax: 011 52 [55] 53 21 66 65;

Email: festo.mexico@mx.festo.com

www.festo.com/mx

Central USA

Festo Corporation
1441 East Business
Center Drive
Mt. Prospect, IL 60056, USA
Phone: 1.847.759.2600
Fax: 1.847.768.9480



Western USA

Festo Corporation
4935 Southfront Road,
Suite F
Livermore, CA 94550, USA
Phone: 1.925.371.1099
Fax: 1.925.245.1286



Festo Worldwide

Argentina Australia Austria Belarus Belgium Brazil Bulgaria Canada Chile China Colombia Croatia Czech Republic Denmark
Estonia Finland France Germany Great Britain Greece Hong Kong Hungary India Indonesia Iran Ireland Israel Italy Japan Latvia
Lithuania Malaysia Mexico Netherlands New Zealand Norway Peru Philippines Poland Romania Russia Serbia Singapore
Slovakia Slovenia South Africa South Korea Spain Sweden Switzerland Taiwan Thailand Turkey Ukraine United States Venezuela

www.festo.com