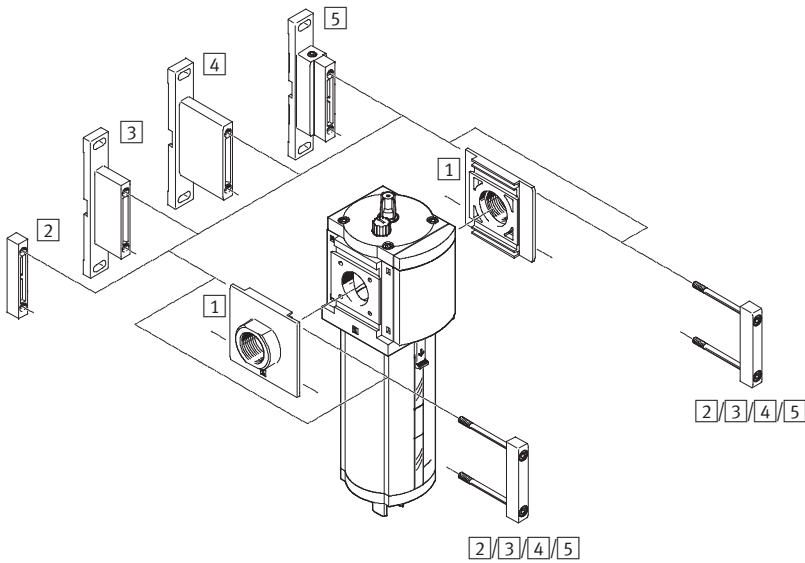


Lubricators MS-LOE, MS series, NPT



Lubricators MS9-LOE, MS series, NPT

Peripherals overview



Note

Additional accessories:

- Module connector for combinations with size MS6, MS9 or MS12 → Internet: rmv, armv

Mounting attachments and accessories					
		Individual unit		Combination	→ Page/ Internet
		With female thread N $\frac{3}{4}$ or N1	With connecting plate AQ...	Module without connecting thread, without connecting plate G	
1	Connecting plate MS9-AQ...	-	■	■	ms9-aq
2	Module connector MS9-MV	-	-	■	ms9-mv
3	Mounting bracket MS9-WP	■	■	■	ms9-wp
4	Mounting bracket MS9-WPB	■	■	■	ms9-wp
5	Mounting bracket MS9-WPM	■	■	■	ms9-wp

Lubricators MS9-LOE, MS series, NPT

Type codes

		MS	9	-	LOE	-	G	-	U
Series									
MS	Standard service unit								
Size									
9	Grid dimension 90 mm								
Service function									
LOE	Lubricator								
Pneumatic connection									
G	Module without connecting thread, without connecting plate								
Bowl guard									
U	Integrated as metal bowl								

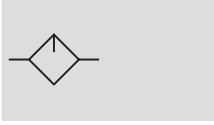
Additional variants can be ordered using the modular product system → 8

- Connecting thread
- Connecting plates
- Type of mounting
- UL certification
- Alternative flow direction

Lubricators MS9-LOE, MS series, NPT

Technical data

Function



Flow rate

15,000 ... 20,000 l/min

Temperature range

-10 ... +60 °C

Pressure

1 ... 16 bar



The proportional lubricator adds a precisely adjustable quantity of oil to the compressed air. The pressure drop that occurs when air flows through a Venturi nozzle is used to convey oil from the container

to the drip cap. From here, the oil drips into the air duct directly behind the proportional valve, where it is atomised. The oil mist part is proportional to the compressed air flow rate.

- Proportional lubricator with precision oil metering
- Integrated sintered filter for filtering the oil
- Reduces wear on drive units subject to high loading
- High flow rate
- Quick and easy oil top-up even during operation (under pressure)

The following oils are recommended for Festo components:
Viscosity range to ISO 3448, ISO class VG 32
32 mm²/s (= cSt) at 40 °C

- Festo special oil OFSW-32 → 9
- ARAL Vitam GF 32
- BP Energol HLP 32
- Esso Nuto H 32
- Mobil DTE 24
- Shell Tellus Oil DO 32

General technical data				
Size	MS9			
Pneumatic connection 1, 2	NPT3/4-14	NPT1-11½	NPT1½-14 ... NPT1½-11½ (with connecting plate AQ...)	– (without connecting thread G)
Design	Proportional standard mist lubricator			
Type of mounting	Via accessories In-line installation			
Mounting position	Vertical ±5°			
Bowl guard	Integrated as metal bowl			
Minimum flow rate for lubricator operation [l/min]	100			
Max. oil capacity [ml]	490			

Standard nominal flow rate qnN ¹⁾ [l/min]					
Pneumatic connection	Connecting plate AQR	Thread NPT3/4-14 or connecting plate AQS	Thread NPT1-11½ or connecting plate AQT	Connecting plate AQU	Connecting plate AQV
In main flow direction 1 → 2	8,500	15,000	23,000	26,000	27,000

1) Measured at p₁ = 6 bar and Δp = 1 bar.

Lubricators MS9-LOE, MS series, NPT

Technical data

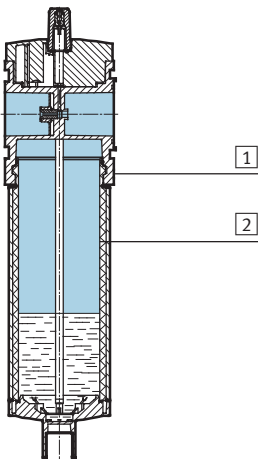
Operating and environmental conditions	
Operating pressure [bar]	1... 16
Operating medium	Compressed air in accordance with ISO 8573-1:2010 [7:4:4]
Ambient temperature [°C]	-10 ... +60
Temperature of medium [°C]	-10 ... +60
Storage temperature [°C]	-10 ... +60
Corrosion resistance class CRC ¹⁾	2
Certification (variant UL1)	cULus recognized (OL)

- 1) Corrosion resistance class 2 according to Festo standard 940 070
Components subject to moderate corrosion stress. Externally visible parts with primarily decorative surface requirements which are in direct contact with a normal industrial environment or media such as coolants or lubricating agents.

Weight [g]	
Lubricator	2,000

Materials

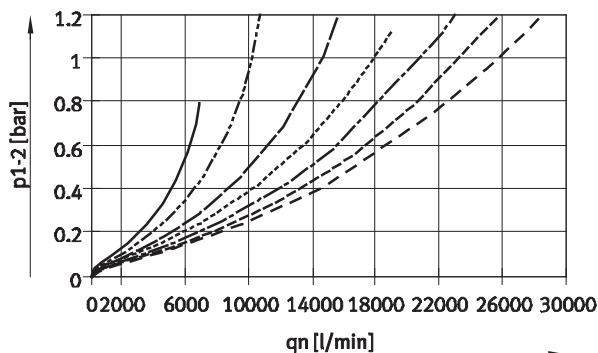
Sectional view



Lubricator		
1	Housing	Die-cast aluminium
2	Bowl	Wrought aluminium alloy
	Inspection window	PA
-	Cover	PA reinforced
-	Connecting plate, module connector, mounting bracket	Die-cast aluminium
-	Seals	NBR
Note on materials		RoHS-compliant

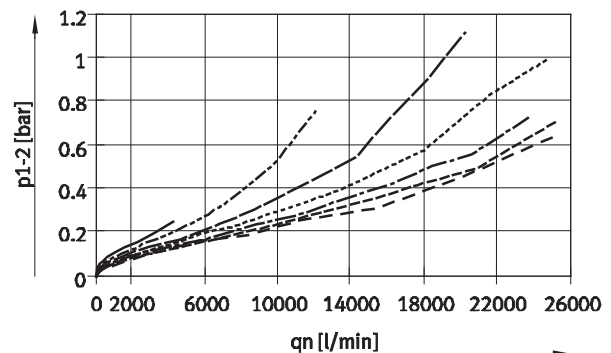
Standard flow rate q_n as a function of differential pressure p_{1-2}

MS9-LOE-N $\frac{3}{4}$ /AQS, pneumatic connection NPT $\frac{3}{4}$ -14



- 1 bar
- - - 2 bar
- · - 4 bar
- · · 6 bar
- - - - 8 bar
- - - - 10 bar
- · - · 12 bar

MS9-LOE-N1/AQT, pneumatic connection NPT1-11½



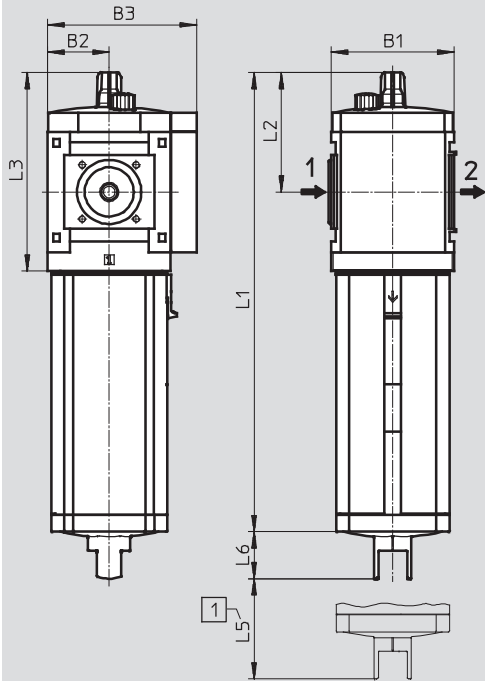
Lubricators MS9-LOE, MS series, NPT

Technical data

Dimensions – Basic version

Download CAD Data → www.festo.com/us/cad

Without connecting thread G



1 Installation dimensions

→ Flow direction

Type	B1	B2	B3	L1	L2	L3	L5 min.	L6
MS9-LOE-G	90	45	109	336.3	87	145	225	34.5

Lubricators MS9-LOE, MS series, NPT

Technical data

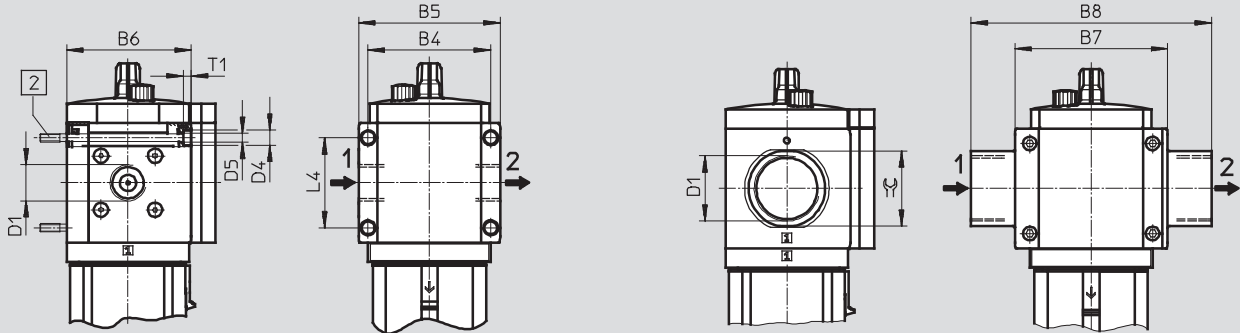
FESTO

Dimensions – Connecting thread/connecting plate

Download CAD Data → www.festo.com/us/cad

With connecting thread N $\frac{3}{4}$ or N1

With connecting plate AQ...



2 Mounting screw M6xmin.90 to DIN 912 (not included in the scope of delivery) for wall mounting without mounting bracket

→ Flow direction

Type	B4	B5	B6	B7	B8	D1	D4 Ø	D5 Ø	L4	T1	∅C
MS9-LOE-N $\frac{3}{4}$	90	104	91.5	-	-	NPT $\frac{3}{4}$ -14	11	6.5	66	6	-
MS9-LOE-N1						NPT1-11 $\frac{1}{2}$					
MS9-LOE-AQR	-	-	-	112	132	NPT $\frac{1}{2}$ -14	-	-	-	-	30
MS9-LOE-AQS					132	NPT $\frac{3}{4}$ -14					36
MS9-LOE-AQT					142	NPT1-11 $\frac{1}{2}$					41
MS9-LOE-AQU					162	NPT1 $\frac{1}{4}$ -11 $\frac{1}{2}$					50
MS9-LOE-AQV					176	NPT1 $\frac{1}{2}$ -11 $\frac{1}{2}$					55

Ordering data

Size	Connection	Part No.	Type
MS9	-	564144	MS9-LOE-G-U

Lubricators MS9-LOE, MS series, NPT

Ordering data – Modular products

M Mandatory data						O Options		
Module No.	Series	Size	Function	Connection size	Bowl	Type of mounting	UL certification	Alternative flow direction
562533	MS	9	LOE	N $\frac{3}{4}$, N1, AQR, AQS, AQT, AQU, AQV, G	U	WP, WPM, WPB	UL1	Z
Ordering example								
562533	MS	9	- LOE	- AQR	- U	- WP		

Ordering table					
Grid dimension	[mm]	90	Condition s	Code	Enter code
M	Module No.	562533			
	Series	Standard service unit		MS	MS
	Size	9		9	9
	Function	Lubricator		-LOE	-LOE
	Connection size	Thread NPT $\frac{3}{4}$		-N $\frac{3}{4}$	
		Thread NPT1		-N1	
		Connecting plate NPT $\frac{1}{2}$		-AQR	
		Connecting plate NPT $\frac{3}{4}$		-AQS	
		Connecting plate NPT1		-AQT	
		Connecting plate NPT1 $\frac{1}{4}$		-AQU	
		Connecting plate NPT1 $\frac{1}{2}$		-AQV	
		Module without connecting thread, without connecting plate		-G	
	Bowl	Metal bowl		-U	-U
O	Type of mounting	Mounting bracket	1	-WP	
		Mounting bracket	1	-WPM	
		Mounting bracket for large wall gap	1	-WPB	
	UL certification	cULus, ordinary location for Canada and USA		-UL1	
	Alternative flow direction	Flow direction from right to left		-Z	

1 WP, WPM, WPB Not with module G

Transfer order code

562533	MS	9	- LOE	-	U	-	-	-	-
--------	----	---	-------	---	---	---	---	---	---

Lubricators MS-LOE, MS series, NPT

Accessories

FESTO

Special oil



Ordering data		
Scope of delivery	Part No.	Type
1 litre	152811	OFSW-32

Product Range and Company Overview

A Complete Suite of Automation Services

Our experienced engineers provide complete support at every stage of your development process, including: conceptualization, analysis, engineering, design, assembly, documentation, validation, and production.



Custom Automation Components
Complete custom engineered solutions



Custom Control Cabinets
Comprehensive engineering support and on-site services



Complete Systems
Shipment, stocking and storage services

The Broadest Range of Automation Components

With a comprehensive line of more than 30,000 automation components, Festo is capable of solving the most complex automation requirements.



Electromechanical
Electromechanical actuators, motors, controllers & drives



Pneumatics
Pneumatic linear and rotary actuators, valves, and air supply



PLCs and I/O Devices
PLC's, operator interfaces, sensors and I/O devices

Supporting Advanced Automation... As No One Else Can!

Festo is a leading global manufacturer of pneumatic and electromechanical systems, components and controls for industrial automation, with more than 12,000 employees in 56 national headquarters serving more than 180 countries. For more than 80 years, Festo has continuously elevated the state of manufacturing with innovations and optimized motion control solutions that deliver higher performing, more profitable automated manufacturing and processing equipment. Our dedication to the advancement of automation extends beyond technology to the education and development of current and future automation and robotics designers with simulation tools, teaching programs, and on-site services.

Quality Assurance, ISO 9001 and ISO 14001 Certifications

Festo Corporation is committed to supply all Festo products and services that will meet or exceed our customers' requirements in product quality, delivery, customer service and satisfaction.

To meet this commitment, we strive to ensure a consistent, integrated, and systematic approach to management that will meet or exceed the requirements of the ISO 9001 standard for Quality Management and the ISO 14001 standard for Environmental Management.



© Copyright 2008, Festo Corporation. While every effort is made to ensure that all dimensions and specifications are correct, Festo cannot guarantee that publications are completely free of any error, in particular typing or printing errors. Accordingly, Festo cannot be held responsible for the same. For Liability and Warranty conditions, refer to our "Terms and Conditions of Sale", available from your local Festo office. All rights reserved. No part of this publication may be reproduced, distributed, or transmitted in any form or by any means, electronic, mechanical, photocopying or otherwise, without the prior written permission of Festo. All technical data subject to change according to technical update.



Printed on recycled paper at New Horizon Graphic, Inc., FSC certified as an environmentally friendly printing plant.

Festo North America

Festo Regional Contact Center

5300 Explorer Drive
Mississauga, Ontario L4W 5G4
Canada

USA Customers:

For ordering assistance,

Call: 1.800.99.FESTO (1.800.993.3786)

Fax: 1.800.96.FESTO (1.800.963.3786)

Email: customer.service@us.festo.com

For technical support,

Call: 1.866.GO.FESTO (1.866.463.3786)

Fax: 1.800.96.FESTO (1.800.963.3786)

Email: product.support@us.festo.com

Canadian Customers:

Call: 1.877.GO.FESTO (1.877.463.3786)

Fax: 1.877.FX.FESTO (1.877.393.3786)

Email: festo.canada@ca.festo.com

USA Headquarters

Festo Corporation
395 Moreland Road
P.O. Box 18023
Hauppauge, NY 11788, USA
www.festo.com/us

USA Sales Offices

Appleton

North 922 Tower View Drive, Suite N
Greenville, WI 54942, USA

Boston

120 Presidential Way, Suite 330
Woburn, MA 01801, USA

Chicago

1441 East Business Center Drive
Mt. Prospect, IL 60056, USA

Dallas

1825 Lakeway Drive, Suite 600
Lewisville, TX 75057, USA

Detroit – Automotive Engineering Center

2601 Cambridge Court, Suite 320
Auburn Hills, MI 48326, USA

New York

395 Moreland Road
Hauppauge, NY 11788, USA

Silicon Valley

4935 Southfront Road, Suite F
Livermore, CA 94550, USA

United States



USA Headquarters, East: Festo Corp., 395 Moreland Road, Hauppauge, NY 11788

Phone: 1.631.435.0800; Fax: 1.631.435.8026;

Email: info@festo-usa.com

www.festo.com/us

Canada



Headquarters: Festo Inc., 5300 Explorer Drive, Mississauga, Ontario L4W 5G4

Phone: 1.905.624.9000; Fax: 1.905.624.9001;

Email: festo.canada@ca.festo.com

www.festo.ca

Mexico



Headquarters: Festo Pneumatic, S.A., Av. Ceylán 3, Col. Tequesquahuac,
54020 Tlalneantla, Edo. de México

Phone: 011 52 [55] 53 21 66 00; Fax: 011 52 [55] 53 21 66 65;

Email: festo.mexico@mx.festo.com

www.festo.com/mx

Central USA

Festo Corporation
1441 East Business
Center Drive
Mt. Prospect, IL 60056, USA
Phone: 1.847.759.2600
Fax: 1.847.768.9480



Western USA

Festo Corporation
4935 Southfront Road,
Suite F
Livermore, CA 94550, USA
Phone: 1.925.371.1099
Fax: 1.925.245.1286



Festo Worldwide

Argentina Australia Austria Belarus Belgium Brazil Bulgaria Canada Chile China Colombia Croatia Czech Republic Denmark
Estonia Finland France Germany Great Britain Greece Hong Kong Hungary India Indonesia Iran Ireland Israel Italy Japan Latvia
Lithuania Malaysia Mexico Netherlands New Zealand Norway Peru Philippines Poland Romania Russia Serbia Singapore
Slovakia Slovenia South Africa South Korea Spain Sweden Switzerland Taiwan Thailand Turkey Ukraine United States Venezuela

www.festo.com