

Connecting cables NEBV, for valves

Technical data

Connecting cable NEBV-HSG2


- Connecting cable for VUVG valves
- Pre-assembled
- Cable lengths 0.5 to 5 m
- For connecting to electrical connection box VAVE-L1-...S



| General technical data | | |
|------------------------------|---------------|----------|
| Electrical connection | Socket, 2-pin | |
| Nominal operating voltage | [V DC] | 0 ... 30 |
| Wire insulation colour code | Pin1 | Red |
| | Pin2 | Black |
| Type of mounting | Clip | |
| Mounting position | Any | |
| Protection class to EN 60529 | IP40 | |

| Materials | | |
|---------------------|-------------------------|-------------------------------------|
| Type | NEBV-HSG2-KN | NEBV-HSG2-P |
| Housing | POM | POM |
| Housing colour | Black | Black |
| Pin contact | Tin-plated copper alloy | Tin-plated copper alloy |
| Cable sheath | – | PUR |
| Cable sheath colour | – | Grey |
| Insulating sheath | PVC | PVC |
| Cable properties | – | Suitable for use with energy chains |
| Note on materials | RoHS-compliant | RoHS-compliant |

| Operating and environmental conditions | | |
|--|------|------------|
| Ambient temperature | [°C] | –5 ... +60 |

| Circuitry (view of socket) | | |
|---|-----|-------------|
| | Pin | Wire colour |
|  | 1 | Red |
| | 2 | Black |

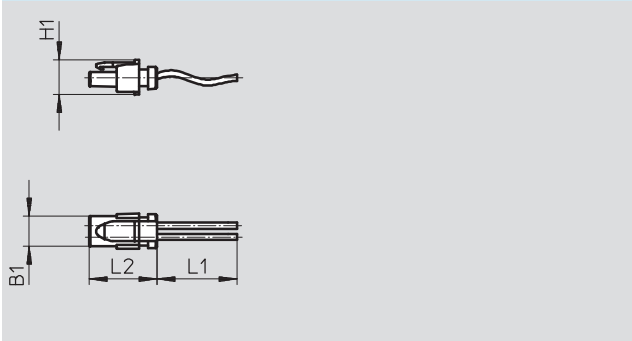
Connecting cables NEBV, for valves

Technical data

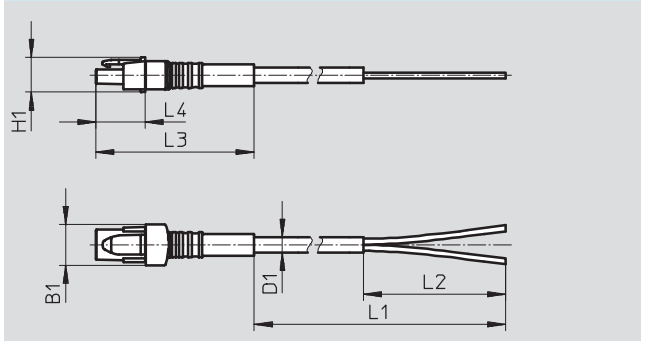
Dimensions

Download CAD data → www.festo.com

NEBV-HSG2-KN



NEBV-HSG2-P



| Type | B1 | H1 | L1 | L2 |
|------------------------|-----|-----|------|----|
| NEBV-HSG2-KN-0.5-N-LE2 | 7.8 | 7.7 | 500 | 15 |
| NEBV-HSG2-KN-1-N-LE2 | | | 1000 | |
| NEBV-HSG2-KN-2.5-N-LE2 | | | 2500 | |
| NEBV-HSG2-KN-5-N-LE2 | | | 5000 | |

| Type | B1 | D1 | H1 | L1 | L2 | L3 | L4 |
|-----------------------|----|-----|-----|------|----|------|----|
| NEBV-HSG2-P-0.5-N-LE2 | 9 | 3.4 | 7.7 | 500 | 50 | 35.2 | 11 |
| NEBV-HSG2-P-1-N-LE2 | | | | 1000 | | | |
| NEBV-HSG2-P-2.5-N-LE2 | | | | 2500 | | | |
| NEBV-HSG2-P-5-N-LE2 | | | | 5000 | | | |

Ordering data

| Electrical connection | Cable composition | Product weight [g] | Length [m] | Part No. | Type |
|------------------------|---------------------|--------------------|------------|---------------|-------------------------------|
| Straight socket, 2-pin | 2 individual cables | 4 | 0.5 | 566662 | NEBV-HSG2-KN-0.5-N-LE2 |
| | | 7 | 1 | 566663 | NEBV-HSG2-KN-1-N-LE2 |
| | | 17 | 2.5 | 566664 | NEBV-HSG2-KN-2.5-N-LE2 |
| | | 31 | 5 | 566665 | NEBV-HSG2-KN-5-N-LE2 |
| | 2-wire cable | 8 | 0.5 | 566666 | NEBV-HSG2-P-0.5-N-LE2 |
| | | 16 | 1 | 566667 | NEBV-HSG2-P-1-N-LE2 |
| | | 35 | 2.5 | 566668 | NEBV-HSG2-P-2.5-N-LE2 |
| | | 70 | 5 | 566669 | NEBV-HSG2-P-5-N-LE2 |