

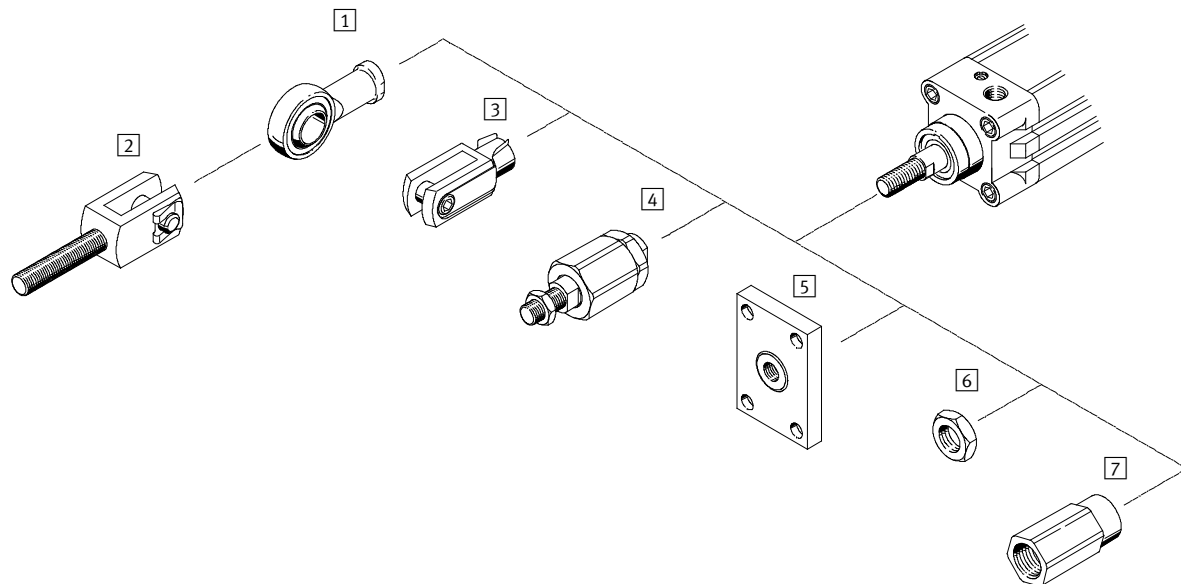


- Co-ordinated with Festo's cylinder range
- Versatile combinations
- Sturdy and functional
- Stainless steel variants

Piston rod attachments

Peripherals overview



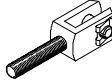
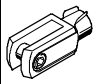
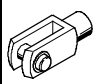
FESTO



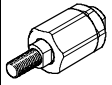
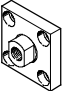
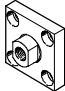


Mounting attachments and accessories		Brief description
1	Rod eye SGS	Rod eyes are maintenance-free due to the combination of steel and PTFE-bronze material in the swivel bearing. Corresponds to ISO 12240-4 dimensional series K.
	Rod eye CRSGS	Corrosion and acid-resistant design. Corresponds to ISO 12240-4 dimensional series K.
2	Rod clevis SGA	Rod clevises are used in combination with the rod eye SGS for spherical connection of cylinders.
3	Rod clevis SG	This rod clevis is fitted to the threaded end of the piston rod and permits a swivelling movement of the cylinder in one plane. Corresponds to ISO 8140 or DIN 71752.
	Rod clevis CRSG	Corrosion and acid-resistant design. Corresponds to ISO 8140 or DIN 71752.
4	Self-aligning rod coupler FK	Rod couplers link the piston rod end of all cylinder types to the machine parts to be moved. This compensates for radial and angular deviations (misalignment).
5	Coupling piece KSG	Coupling pieces link the piston rod end of all cylinder types to the machine parts to be moved. They compensate radial misalignments up to ± 1 mm.
	Coupling piece KSZ	For cylinders with non-rotating piston rods. With this coupling piece, a cylinder can be connected with positional stability to the component being moved in order to compensate for radial deviation.
6	Hex nut MSK	Based on and/or corresponds to ISO 8675.
7	Adapter AD	Specially for through, hollow piston rods, e.g. for connecting vacuum generators.

Piston rod attachments

Product range overview

Piston rod attachments						
Piston rod thread		Rod eye		Rod clevis		
Male	Female	SGS-...	CRSGS-...	SGA-... ¹⁾	SG-...	CRSG-...
						
M4		■	-	-	■	-
M6		■	■	-	■	■
M8		■	■	-	■	■
M10		■	-	-	■	-
M10x1.25		■	■	■	■	■
M12		■	-	■	■	-
M12x1.25		■	■	■	■	■
M16		■	-	■	■	-
M16x1.5		■	■	■	■	■
M20x1.5		■	■	■	■	■
M27x2		■	■	■	■	■
M36x2		■	-	-	■	-
M42x2		■	-	-	■	-
M48x2		■	-	-	■	-
Technical data → Page/Internet		4	5	6	7	8

1) Only to be attached to the piston rod in conjunction with the rod eye SGS.

Piston rod attachments						
Piston rod thread		Self-aligning rod coupler	Coupling piece		Hex nut	Adapter
Male	Female	FK-...	KSG-...	KSZ-...	MSK-...	AD-...
						
M4		■	-	-	-	-
M6		■	-	■	-	■
M8		■	-	■	-	■
M10		■	-	-	-	-
M10x1.25		■	■	■	■	■
M12		■	-	-	-	-
M12x1.25		■	■	■	■	■
M16		■	-	-	-	-
M16x1.5		■	■	■	■	-
M20x1.5		■	■	■	-	-
M27x2		■	■	-	-	-
M36x2		■	-	-	-	-
M42x2		-	-	-	-	-
M48x2		-	-	-	-	-
	M4	■	-	-	-	-
	M5	■	-	-	-	-
	M6	■	-	-	-	-
	M8	■	-	-	-	-
	M10	■	-	-	-	-
	M12	■	-	-	-	-
Technical data → Page/Internet		9	10	11	12	13

Rod eyes SGS

Technical data

FESTO

Rod eye SGS

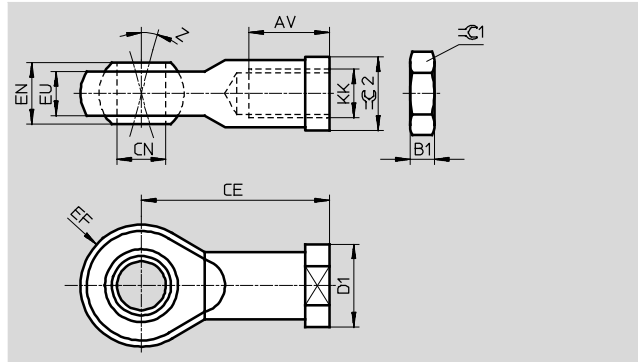
Scope of delivery:

1 rod eye, 1 hex nut to DIN 439

Material:

Galvanised steel

RoHS-compliant



Dimensions and ordering data								
KK	AV	B1	CE	CN Ø H7	D1 Ø	EF ±0.5	EN	EU
M4	10 -2	2.2	27	5	11	9	8	6
M6	12 -2	3.2	30	6	13	10	9	6.8
M8	16 -2	4	36	8	16	12	12	9
M10	20 -2	5	43	10	19	14	14	10.5
M10x1.25								
M12	22 -2	6	50	12	22	16	16	12
M12x1.25								
M16	28 -2	8	64	16	27	21	21	15
M16x1.5								
M20x1.5	33 -2	10	77	20	34	25	25	18
M27x2	51 -2	13.5	110	30	50	35	37	25
M36x2	56 +2	18	125	35	58	40	43	28
M42x2	60 +2	21	142	40	65	45	49	33
M48x2	65 +2	24	160	50	75	58	60	45

KK	Z [°]	≈C1	≈C2	ISO 12240-4 dimensional series K	CRC ¹⁾	Weight [g]	Part No.	Type
M4	13	7	9	–	2	21	9 253	SGS-M4
M6	13	10	11	■	2	29	9 254	SGS-M6
M8	13	13	14	■	2	53	9 255	SGS-M8
M10	13	17	17	■	2	88	9 256	SGS-M10
M10x1.25				–	2	87	9 261	SGS-M10x1,25
M12	13	19	19	■	2	131	9 257	SGS-M12
M12x1.25				–	2	129	9 262	SGS-M12x1,25
M16	15	24	22	■	2	263	9 258	SGS-M16
M16x1.5				–	2	259	9 263	SGS-M16x1,5
M20x1.5	15	30	30	■	2	464	9 264	SGS-M20x1,5
M27x2	15	41	41	–	2	1,333	10 774	SGS-M27x2
M36x2	15	55	50	■	2	2,084	10 775	SGS-M36x2
M42x2	15	65	55	■	2	3,132	10 776	SGS-M42x2
M48x2	12	75	65	■	2	5,498	10 777	SGS-M48x2

1) Corrosion resistance class 2 according to Festo standard 940 070

Components requiring moderate corrosion resistance. Externally visible parts with primarily decorative surface requirements which are in direct contact with a surrounding industrial atmosphere or media such as cooling or lubricating agents

Rod eyes CRSGS, stainless steel

Technical data

Rod eye CRSGS

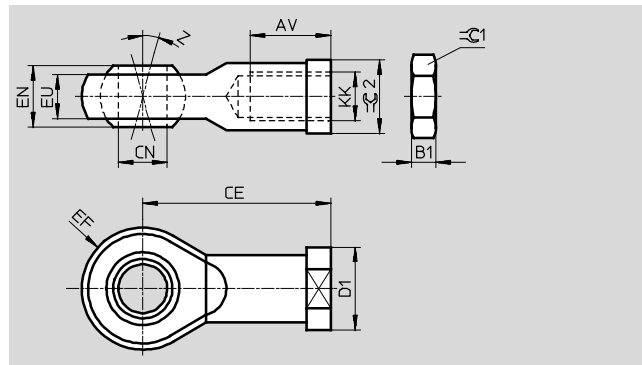
Scope of delivery:

1 rod eye, 1 hex nut to DIN 439

Material:

High-alloy steel

RoHS-compliant



Dimensions and ordering data								
KK	AV	B1	CE	CN	D1	EF	EN	EU
	-2			∅ H7	∅	±0.5		
M6	12	3.2	30	6	13	10	9	6.8
M8	16	4	36	8	16	12	12	9
M10x1.25	20	5	43	10	19	14	14	10.5
M12x1.25	22	6	50	12	22	16	16	12
M16x1.5	28	8	64	16	27	21	21	15
M20x1.5	33	10	77	20	34	25	25	18
M27x2	51	13.5	110	30	50	35	37	25

KK	Z	≈C1	≈C2	ISO 12240-4 dimensional series K	CRC ¹⁾	Weight [g]	Part No.	Type
	[°]							
M6	13	10	11	■	4	29	195 580	CRSGS-M6
M8	13	13	14	■	4	53	195 581	CRSGS-M8
M10x1.25	13	17	17	-	4	87	195 582	CRSGS-M10x1,25
M12x1.25	13	19	19	-	4	129	195 583	CRSGS-M12x1,25
M16x1.5	15	24	22	-	4	259	195 584	CRSGS-M16x1,5
M20x1.5	15	30	30	■	4	464	195 585	CRSGS-M20x1,5
M27x2	15	41	41	-	4	1,333	195 586	CRSGS-M27x2

1) Corrosion resistance class 4 according to Festo standard 940 070

Components requiring higher corrosion resistance. Parts used with aggressive media, e.g. food or chemical industry. These applications should be supported with special tests with the media if required

Rod clevises SGA

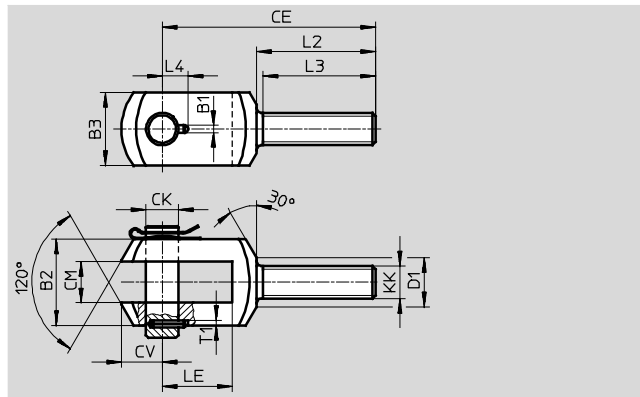
Technical data



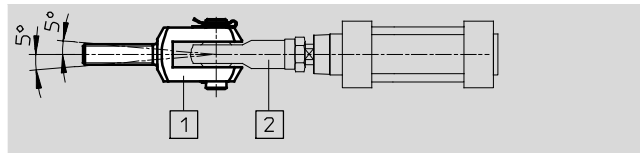
Rod clevis SGA

Scope of delivery:
1 rod clevis, 1 pivot pin
and 1 retaining clip

Material:
Galvanised steel
Free of copper and PTFE
RoHS-compliant



The rod clevis SGA [1] is used in combination with the rod eye SGS [2] (→ 4) for spherical mounting of cylinders.



Dimensions and ordering data								
KK	B1	B2	B3	CE	CK	CM	CV	D1
		d12			Ø F7/h9	B12		Ø
M10x1.25	3.3	28	20	78	10	14	12	18
M12	4.3	30	25	92	12	16	16	19
M12x1.25								
M16	4.3	40	35	108	16	21	21	24
M16x1.5								
M20x1.5	4.3	50	40	131	20	25	25	30
M27x2	6.3	67	60	168	30	37	32	38
M36x2	6.3	78	70	211	35	43	39	48

KK	L2	L3	L4	LE	T1	CRC ¹⁾	Weight	Part No.	Type
							[g]		
M10x1.25	53	50	11	20	3	1	135	32 954	SGA-M10x1,25
M12	58	55	12	26	3	1	210	6 523	SGA-M12
M12x1.25									
M16	65	62	14	31	3	1	500	6 524	SGA-M16
M16x1.5									
M20x1.5	73	69	16	43	3	1	1,090	10 769	SGA-M20x1,5
M27x2	98	92	24	54	5	1	2,120	10 770	SGA-M27x2
M36x2	121	115	26.5	72	5	1	3,825	10 771	SGA-M36x2

1) Corrosion resistance class 1 according to Festo standard 940 070
Components with light corrosion exposure. Protection for transport and storage. Components without significant decorative function or surface, e.g. installed out of sight internally or behind covers.

Rod clevises SG

Technical data

FESTO

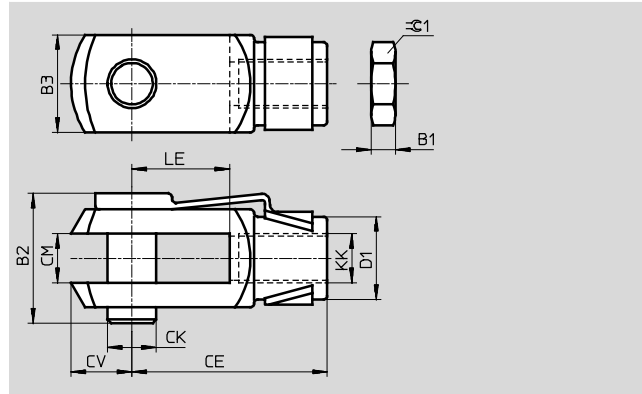
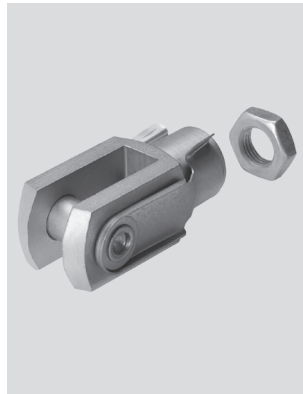
Rod clevis SG

Scope of delivery:

1 rod clevis, 1 hinged spring pin,
DIN 71752, ISO 8140
1 hex nut (M4: DIN 934, M6 ... M48:
DIN 439)

Material:

Galvanised steel
Free of copper and PTFE
RoHS-compliant



Dimensions and ordering data								
KK	B1	B2	B3	CE	CK Ø	CM	CV	D1 Ø
M4	3.2	11.1	8	16±0.3	4h11	4B13	5	8
M6	3.2	16.2	12	24±0.3	6h11	6B13	7	10
M8	4	21.6	16	32±0.4	8h11	8B13	10	14
M10	5	26	20	40±0.4	10h11	10B13	12	18
M10x1.25								
M12	6	31.1	24	48±0.4	12h11	12+0.7/+0.15	14	20
M12x1.25								
M16	8	39.5	32	64±0.4	16h11	16+0.7/+0.15	19	26
M16x1.5								
M20x1.5	10	55	40	80±0.4	20e8	20+0.7/+0.15	25	34
M27x2	13.5	73	55	110±0.4	30e8	30+0.7/+0.15	38	48
M36x2	18	93	70	144±0.4	35e8	35+0.7/+0.15	44	60
M42x2	21	111	85	168±0.4	40e8	40+0.7/+0.15	64	70
M48x2	24	121.5	90	192±0.4	50e8	50+0.7/+0.15	73	80

KK	LE ±0.5	≈C1	ISO 8140	DIN 71752	CRC ¹⁾	Weight [g]	Part No.	Type
M4	8	7	-	■	1	10	6 532	SG-M4
M6	12	10	■	■	1	25	3 110	SG-M6
M8	16	13	■	■	1	55	3 111	SG-M8
M10	20	17	-	■	1	105	2 674	SG-M10
M10x1.25			■	■	1	105	6 144	SG-M10x1,25
M12	24	19	-	■	1	165	2 675	SG-M12
M12x1.25			■	■	1	165	6 145	SG-M12x1,25
M16	32	24	-	■	1	385	2 676	SG-M16
M16x1.5			■	■	1	385	6 146	SG-M16x1,5
M20x1.5	40	30	■	-	1	785	6 147	SG-M20x1,5
M27x2	54	41	■	-	1	2,145	14 987	SG-M27x2-B
M36x2	72	55	■	-	1	4,220	9 581	SG-M36x2
M42x2	84	65	■	-	1	7,520	9 582	SG-M42x2
M48x2	96	75	■	-	1	10,030	9 583	SG-M48x2

1) Corrosion resistance class 1 according to Festo standard 940 070

Components with light corrosion exposure. Protection for transport and storage. Components without significant decorative function or surface, e.g. installed out of sight internally or behind covers.

Rod clevises CRSG, stainless steel

Technical data

Rod clevis CRSG

Scope of delivery:

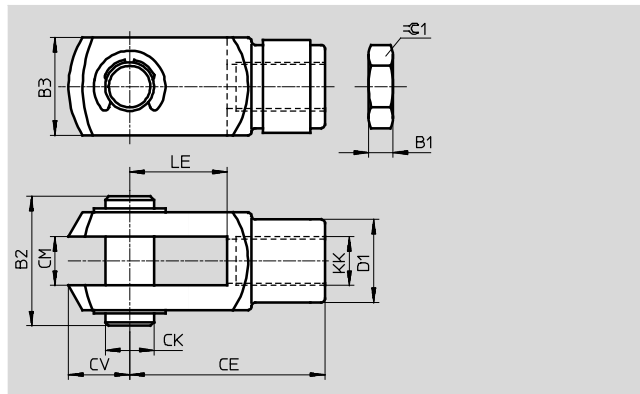
1 rod clevis, 1 pivot pin,
1 hex nut to DIN 439

Material:

High-alloy steel

Free of copper and PTFE

RoHS-compliant



Dimensions and ordering data								
KK	B1	B2	B3	CE	CK ∅ H9/e8	CM	CV	D1 ∅ ±0.3
M6	3.2	19	12	24±0.3	6	6B13	7	10
M8	4	24	16	32±0.4	8	8B13	10	14
M10x1.25	5	27	20	40±0.4	10	10B13	12	18
M12x1.25	6	33	24	48±0.4	12	12+0.7/+0.15	14	20
M16x1.5	8	43	32	64±0.4	16	16+0.7/+0.15	19	26
M20x1.5	10	53	40	80±0.4	20	20+0.7/+0.15	25	34
M27x2	13.5	70	55	110±0.4	30	30+0.7/+0.15	38	48

KK	LE ±0.5	≈C1	ISO 8140	DIN 71752	CRC ¹⁾	Weight [g]	Part No.	Type
M6	12	10	■	■	4	25	13 567	CRSG-M6
M8	16	13	■	■	4	55	13 568	CRSG-M8
M10x1.25	20	17	■	■	4	110	13 569	CRSG-M10x1,25
M12x1.25	24	19	■	■	4	180	13 570	CRSG-M12x1,25
M16x1.5	32	24	■	■	4	395	13 571	CRSG-M16x1,5
M20x1.5	40	30	■	–	4	800	13 572	CRSG-M20x1,5
M27x2	54	41	■	–	4	1,900	185 361	CRSG-M27x2

1) Corrosion resistance class 4 according to Festo standard 940 070

Components requiring higher corrosion resistance. Parts used with aggressive media, e.g. food or chemical industry. These applications should be supported with special tests with the media if required

Self-aligning rod couplers FK

Technical data

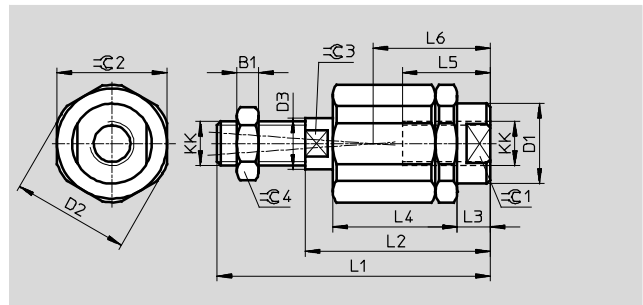
Self-aligning rod coupler FK

Scope of delivery:

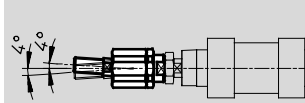
- 1 self-aligning rod coupler,
- 1 hex nut to DIN 439

Material:

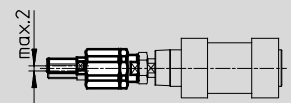
- Galvanised steel
- Free of copper and PTFE
- RoHS-compliant



Angular compensation



Radial compensation of central axis



Dimensions and ordering data										
KK	B1	D1 \varnothing	D2 \varnothing	D3 \varnothing	L1	L2	L3	L4	L5	L6
M4	2.2	-	-	3.8	33	24	4.5	16.5	12.5	16
M5	2.7	8.5	14.5	5.8	38.5	25	4.4	17.5	11.5	15.7
M6	3.2	8.5	14.5	5.8	37	25	4.4	17.5	11.5	15.7
M8	4	12.5	19	7.8	49	34	6	23.5	14	20.5
M10	5	21.4	32	13.8	67.5	49.5	9	34	23	31
M10x1.25					69.5					
M12	6	21.4	32	13.8	70.5	49.5	9	34	23	31
M12x1.25					74.5				50.5	10
M16	8	33.8	45	22	97	71	10	53	32	44.5
M16x1.5					103					
M20x1.5	10	33.8	45	22	120	80	19	53	41	53.5
M27x2	13.5	62	62	28	157	103	12.2	79	42	62.5
M36x2	18	80	80	38	251	179	22	136	78	110

KK	$\varnothing 1$	$\varnothing 2$	$\varnothing 3$	$\varnothing 4$	Radial deviation [mm]	CRC ¹⁾	Weight [g]	Part No.	Type
M4	11	11	3.2	7	± 0.5	2	15	6 528	FK-M4
M5	7	13	5	8	± 0.5	2	20	30 984	FK-M5
M6	7	13	5	10	± 0.5	2	23	2 061	FK-M6
M8	10	17	7	13	± 0.5	2	50	2 062	FK-M8
M10	19	30	12	17	± 0.7	2	210	2 063	FK-M10
M10x1.25					± 0.7	2	210	6 140	FK-M10x1,25
M12	19	30	12	19	± 0.7	2	210	2 064	FK-M12
M12x1.25					± 0.7	2	215	6 141	FK-M12x1,25
M16	30	41	19	24	± 1	2	670	2 065	FK-M16
M16x1.5					± 1	2	650	6 142	FK-M16x1,5
M20x1.5	30	41	19	30	± 1	2	720	6 143	FK-M20x1,5
M27x2	55	55	24	41	± 1	2	2,100	10 485	FK-M27x2
M36x2	75	75	32	55	± 1	2	5,800	10 746	FK-M36x2

1) Corrosion resistance class 2 according to Festo standard 940 070

Components requiring moderate corrosion resistance. Externally visible parts with primarily decorative surface requirements which are in direct contact with a surrounding industrial atmosphere or media such as cooling or lubricating agents

Coupling pieces KSG

Technical data



Coupling piece KSG

These coupling pieces connect the piston-rod thread of all types of cylinders to machine components which need to be driven. The pieces can compensate for radial alignment deviations of up to 1 mm.

Scope of delivery:

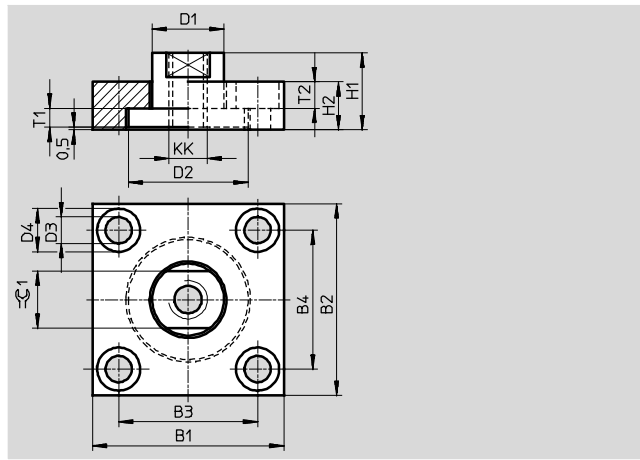
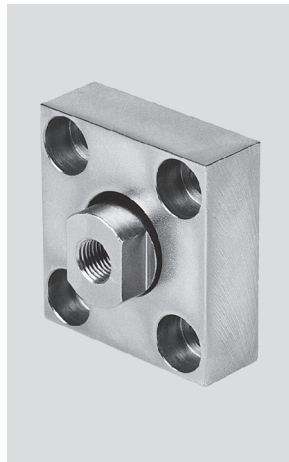
1 flange plate, 1 threaded coupling

Material:

Galvanised steel

Free of copper and PTFE

RoHS-compliant



Dimensions and ordering data										
KK	B1	B2	B3	B4	B5 Max. radial backlash	D1 ∅ H11	D2 ∅ -0.2	D3 ∅ H13	D4 ∅ H13	H1
M10x1.25	60	37	36	23	1	20	32	6.6	11	24
M12x1.25	60	56	42	38		25	42	9	15	30
M16x1.5	80	80	58	58		30	52	11	18	32
M20x1.5	90	90	65	65		40	62	14	20	35
M27x2	90	90	65	65		40	62	14	20	35

KK	H2	T1 Min. axial backlash	T2	⊙1	Max. tightening torque ¹⁾ [Nm]	CRC ²⁾	Weight [g]	Part No.	Type
M10x1.25	15	0.5	6.8	17	9.9	1	230	32 963	KSG-M10x1,25
M12x1.25	20		9	19	24	1	450	32 964	KSG-M12x1,25
M16x1.5	20		11	24	47	1	885	32 965	KSG-M16x1,5
M20x1.5	20		13	36	82	1	1,140	32 966	KSG-M20x1,5
M27x2	20		13	36	82	1	1,080	32 967	KSG-M27x2

1) For mounting screws with standard threads and strength class 8.8

2) Corrosion resistance class 1 according to Festo standard 940 070

Components with light corrosion exposure. Protection for transport and storage. Components without significant decorative function or surface, e.g. installed out of sight internally or behind covers.

Coupling pieces KSZ

Technical data

Coupling piece KSZ

for non-rotating piston rods with male threads

These coupling pieces can be used to connect a cylinder with a non-rotating piston rod to another component with a defined orientation without rotating either the cylinder or other component.

Scope of delivery:

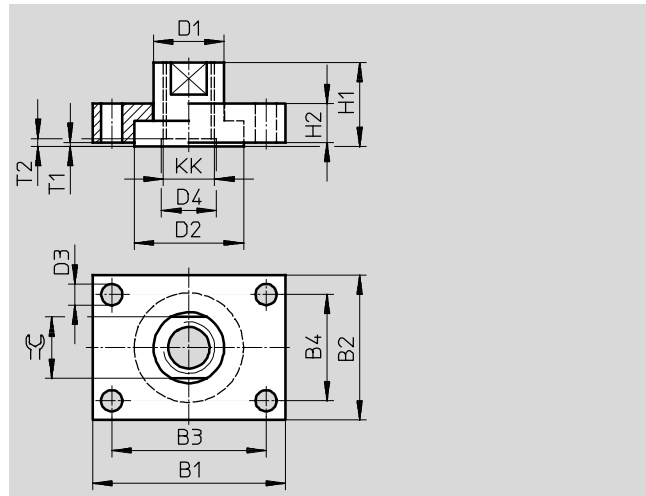
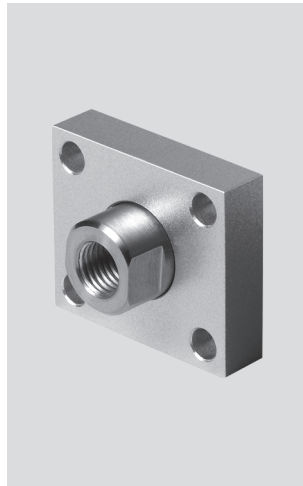
1 flange plate, 1 threaded coupling

Material:

Galvanised steel

Free of copper and PTFE

RoHS-compliant



Dimensions and ordering data												
KK	B1	B2	B3	B4	D1 Ø	D2 Ø	D3 Ø H13	D4 Ø	H1	H2	T1	T2
											min.	
M6	30	25	20	15	12-0.1	18	5.5	8	16	8	0.1	2
M8	35	30	25	20	14-0.1	20	5.5	-	22	8	0.1	-
M10x1.25	40	35	30	25	17-0.2	26	5.5	-	20	10	0.1	-
M12x1.25	50	40	40	30	17-0.2	26	5.5	-	22	12	0.1	-
M16x1.5	60	45	48	33	22-0.2	34	6.6	-	25	12	0.1	-
M20x1.5	72	50	57	35	30-0.2	44	9	-	32	15	0.1	-

KK	⌀	Max. tightening torque ¹⁾ [Nm]	Max. tightening torque ²⁾ [Nm]	Max. tightening torque ³⁾ [Nm]	CRC ⁴⁾	Weight [g]	Part No.	Type
M6	10	5.9	6.9	2.1	1	45	36 123	KSZ-M6
M8	13	5.9	16	5	1	70	36 124	KSZ-M8
M10x1.25	15	5.9	34	12	1	110	36 125	KSZ-M10x1,25
M12x1.25	15	5.9	61	22	1	180	36 126	KSZ-M12x1,25
M16x1.5	19	9.9	148	57	1	250	36 127	KSZ-M16x1,5
M20x1.5	27	24	296	120	1	420	36 128	KSZ-M20x1,5


1) For mounting screws with standard threads and strength class 8.8

2) For use with lock nut on piston rod

3) Torque which coupling can transmit with coefficient of friction μ 0,1 and 10x safety margin at max. permissible tightening torque

4) Corrosion resistance class 1 according to Festo standard 940 070

Components with light corrosion exposure. Protection for transport and storage. Components without significant decorative function or surface, e.g. installed out of sight internally or behind covers.

 Note
The torque on the coupling piece must not exceed the permissible torque on the cylinder.
The mounting screws should be tightened evenly.

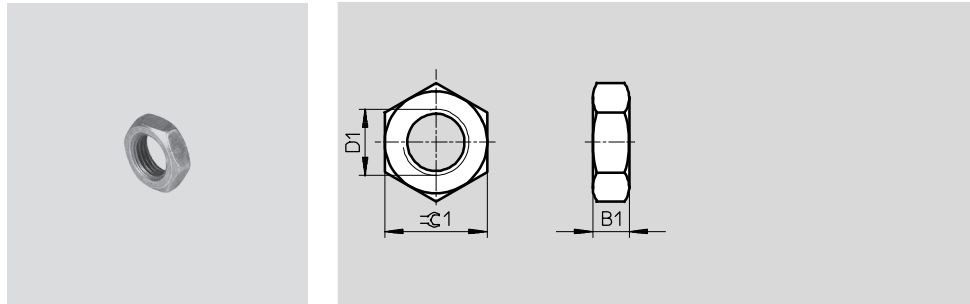
Hex nuts MSK

Technical data

Hex nut MSK

Material:

Galvanised steel



Dimensions and ordering data									
D1	B1	$\approx B1$	Conforms to ISO 8675	Based on ISO 8675	CRC ¹⁾	Weight [g]	Part No.	Type	PU ²⁾
M10x1.25	5	17	–	■	2	7	189 005	MSK-M10x1,25	10
M12x1.25	6	19	–	■	2	9	189 006	MSK-M12x1,25	10
M16x1.5	8	24	■	–	2	18	189 007	MSK-M16x1,5	10

1) Corrosion resistance class 2 according to Festo standard 940 070

Components requiring moderate corrosion resistance. Externally visible parts with primarily decorative surface requirements which are in direct contact with a surrounding industrial atmosphere or media such as cooling or lubricating agents

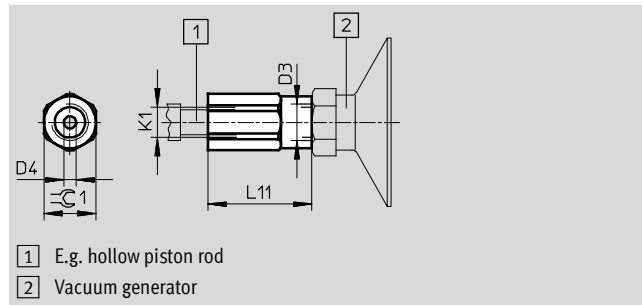
2) Packaging unit quantity

Adapter AD

Technical data

Adapter AD

Material:
Anodised aluminium



Dimensions and ordering data						
K1	D3	D4 Ø	L11	≈C1	Weight [g]	Part No. Type
M6	M5	2.3	27	10	6	157 328 AD-M6-M5
M6	G1/8	2.3	27	13	9	157 329 AD-M6-1/8
M6	G1/4	2.3	30	17	17	157 330 AD-M6-1/4
M8	G1/8	3.2	29	13	8	157 331 AD-M8-1/8
M8	G1/4	3.2	32	17	16	157 332 AD-M8-1/4
M10x1.25	G1/8	4	31	13	10	157 333 AD-M10x1,25-1/8
M10x1.25	G1/4	4	34	17	16	157 334 AD-M10x1,25-1/4
M12x1.25	G1/4	6	34	17	28	160 256 AD-M12x1,25-1/4
M12x1.25	G3/8	6	37	22	14	160 257 AD-M12x1,25-3/8