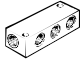
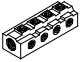




Distribution manifolds FR



Distribution manifolds FR

Product range overview

Series	Design	Type	Pneumatic connection		Number of		→ Page/ Internet
			Supply line	Outlet	Supply lines	Outlets	
Manifold with 4 connections							
	FR-4	G1/8	G1/8	1	3	3	
		G1/4	G1/4				
		G3/8	G3/8				
		G1/2	G1/2				
Manifold with 8 connections							
	FR-8	G3/8	G1/8	1	8	3	
		G1/2	G1/4				
		G3/4	G1/2				
Manifold with 9 connections							
	FR-9	G1/8	M3	1	9	4	
Manifold with 12 connections							
	FR-12	G1/8	M5	1	12	4	

Distribution manifolds FR

Technical data

Distribution manifold FR-4

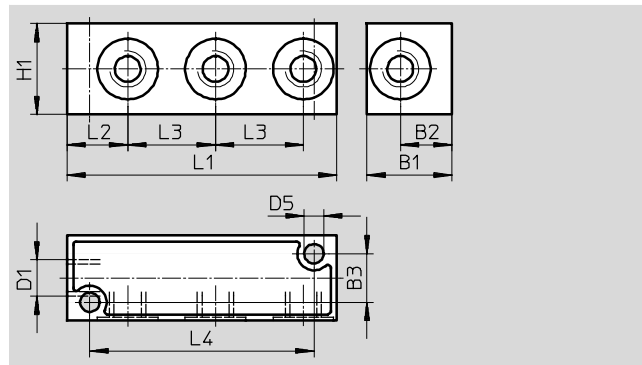
No. of supply lines: 1

No. of outlets: 3

Operating pressure: 0 ... 16 bar

Material:

Die-cast aluminium



Dimensions and ordering data														
Connection D1		B1	B2	B3	D5	H1	L1	L2	L3	L4	Weight [g]	Part No.	Type	PU*
Supply line	Outlet													
G ¹ / ₈	G ¹ / ₈	20	11.6	13	4.4	17	56	13.5	17	46	25	6701	FR-4- ¹ / ₈ -B	1
G ¹ / ₄	G ¹ / ₄	28	17	16	6.4	30	89	20	29	74	60	7849	FR-4- ¹ / ₄ -C	1
G ³ / ₈	G ³ / ₈	32	19	20	6.4	26	85	20	26	72	75	6703	FR-4- ³ / ₈ -B	1
G ¹ / ₂	G ¹ / ₂	38	22	25	6.4	32	105	25	32	90	120	6704	FR-4- ¹ / ₂ -B	1

* Packaging unit quantity

Distribution manifold FR-8

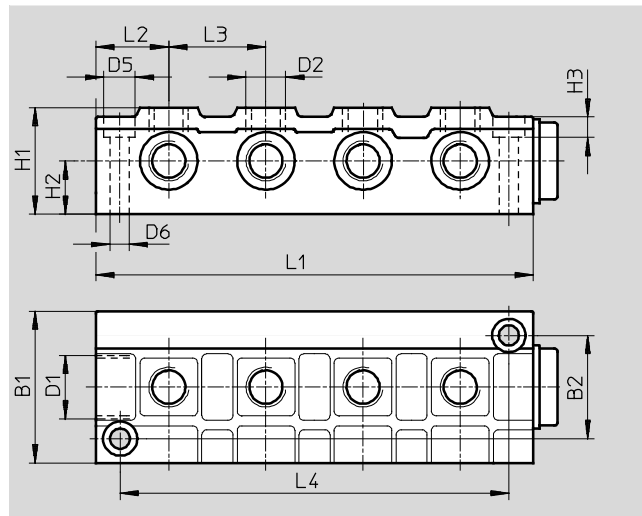
No. of supply lines: 2, including one sealed with a blanking plug

No. of outlets: 8

Operating pressure: 0 ... 16 bar

Material:

Die-cast aluminium



Dimensions and ordering data																
Connection D1	Connection D2	B1	B2	D5	D6	H1	H2	H3	L1	L2	L3	L4	Weight [g]	Part No.	Type	PU*
Supply line	Outlet			∅	∅											
G ³ / ₈	G ¹ / ₈	40	26	11	6.6	30	15	6.8	114	22.5	23	100	135	2077	FR-8- ¹ / ₈	1
G ¹ / ₂	G ¹ / ₄	50	34	11	6.6	35	17.5	6.8	144	24	32	128	230	2078	FR-8- ¹ / ₄	1
G ³ / ₄	G ¹ / ₂	60	40	15	9	45	22.5	9	170	31	36	150	1000	6411	FR-8- ¹ / ₂	1

* Packaging unit quantity

Distribution manifolds FR

Technical data



Distribution manifold FR-9

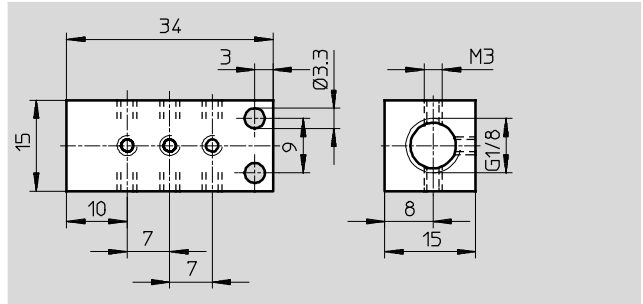
No. of supply lines: 1

No. of outlets: 9

Operating pressure: 0 ... 16 bar

Material:

Anodised aluminium



Dimensions and ordering data					
Connection		Weight [g]	Part No.	Type	PU*
Supply line	Outlet				
G1/8	M3	15	30981	FR-9-M3-B	1

* Packaging unit quantity

Distribution manifold FR-12

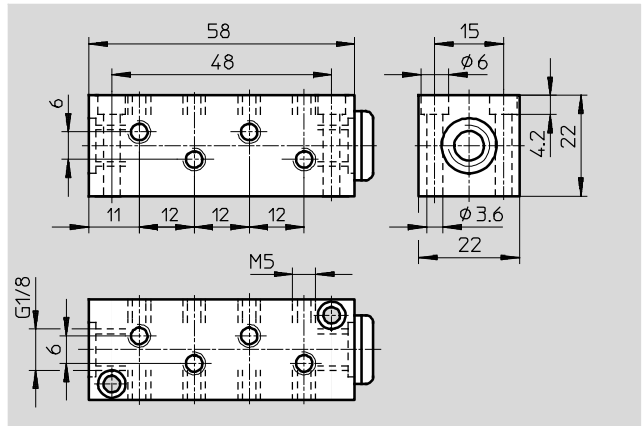
No. of supply lines: 2, including one sealed with a blanking plug

No. of outlets: 12

Operating pressure: 0 ... 16 bar

Material:

Anodised aluminium



Dimensions and ordering data					
Connection		Weight [g]	Part No.	Type	PU*
Supply line	Outlet				
G1/8	M5	40	4525	FR-12-M5	1

* Packaging unit quantity