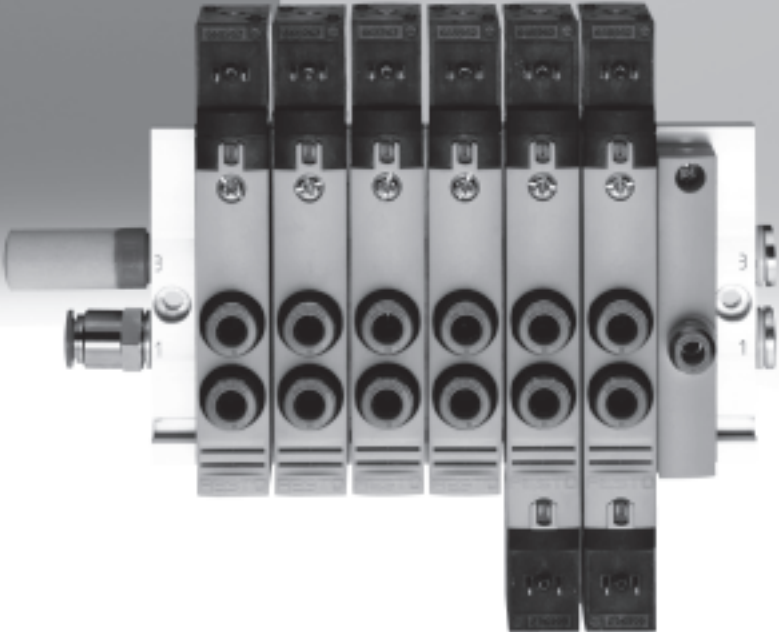


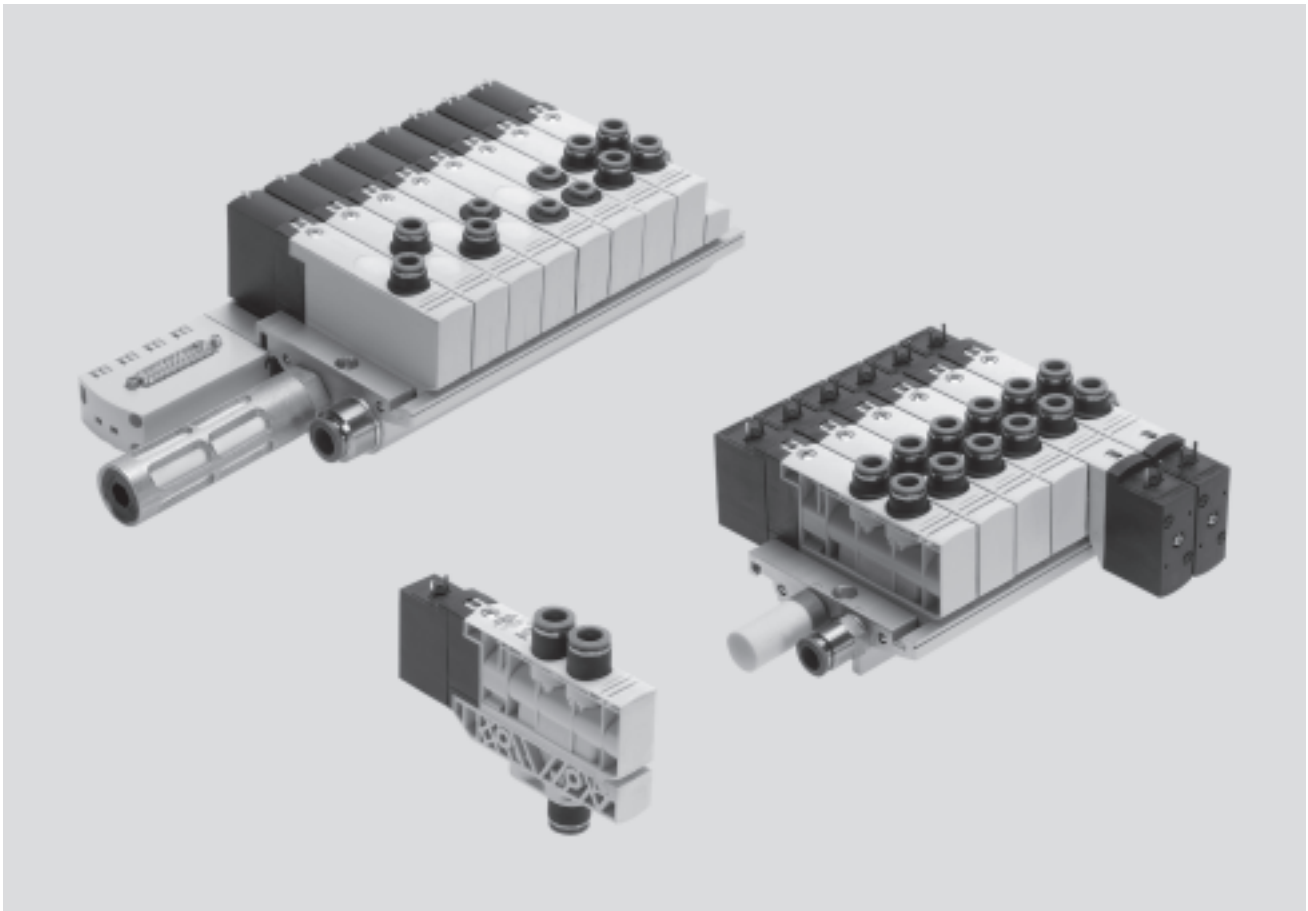
Solenoid valves VUVB/valve terminals type 24 VTUB



# Solenoid valves VUVB/valve terminals type 24 VTUB

Key features

FESTO



## Innovative

- Valve terminal for a wide range of pneumatic applications
- Universal from the individual valve up to the multi-pin plug
- Enormous flexibility during planning, assembly and operational use
- Selectable valve functions; 3/2- and 4/2-way function also suitable for vacuum applications
- Wide selection of optimally tailored accessories for flow rates from 200 to 1,000 l/min

## Flexible

- Room for expansion with 2 ... 16 valve positions on one valve terminal
- Use of individual valves in combination with an individual sub-base
- The flexibility of the pneumatic working ports provides a practical solution to different requirements
- Two pressure zones (others on request)
- High pressure range -0.9 ... 8 bar
- Extensive operating voltage range from 12 V DC to 230 V AC

## Reliable

- Manual override facility
- Durable thanks to the use of tried-and-tested piston spool valves
- Sturdy thanks to the polymer housing and metal manifold rail
- Fast troubleshooting thanks to an LED signal status display in the plug socket with cable or on the valve in the case of the design with multi-pin plug

## Easy to mount

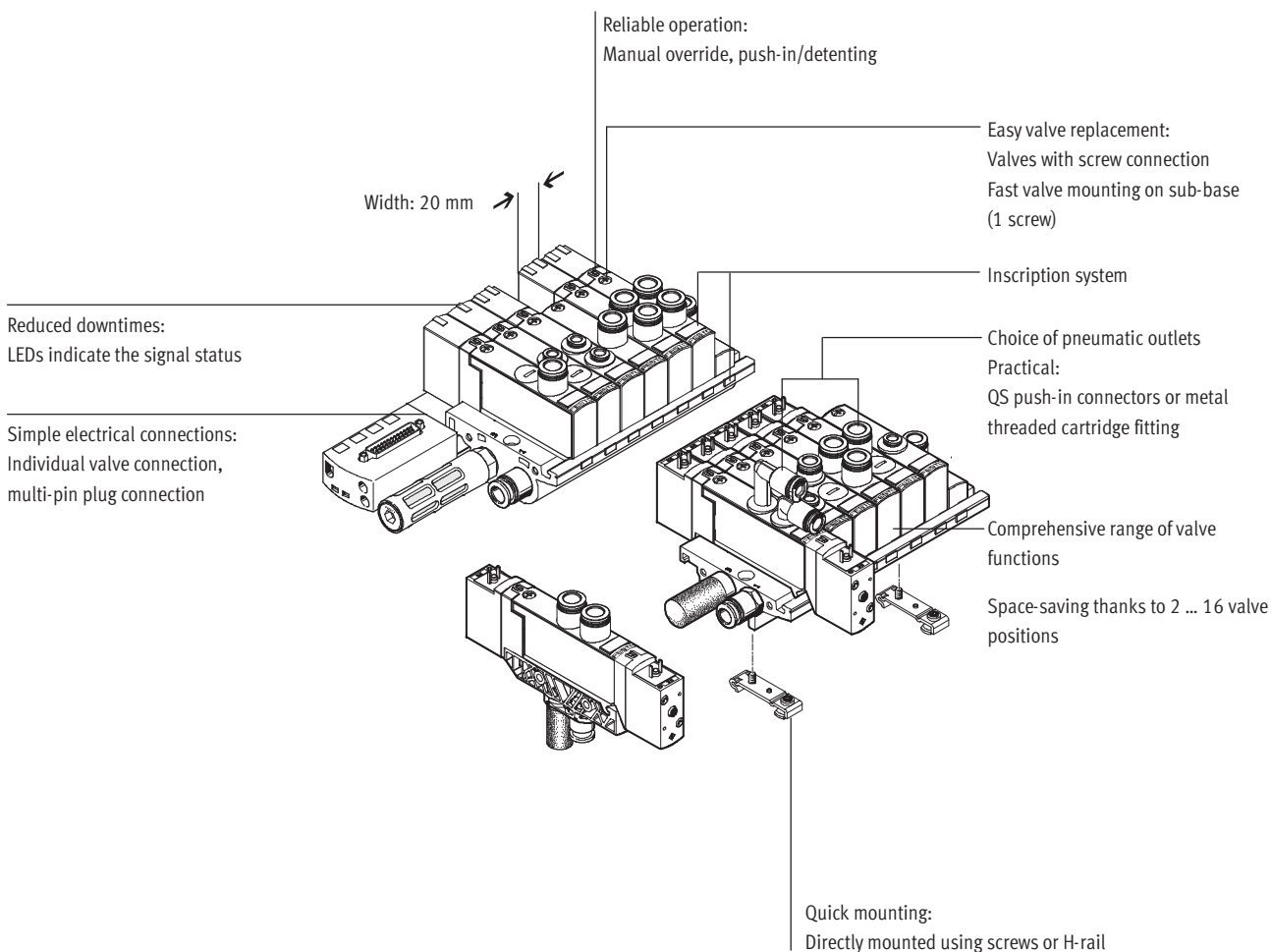
- Ready-to-install unit, already assembled and tested
- Minimised expenditure with regard to ordering, installation and commissioning
- Secure wall mounting or H-rail mounting

-  - Note

There are valve terminals for 4, 6, 8, 10, 12 and 16 valve locations in connection size G $\frac{1}{2}$ . In the design with 16 valve locations, only single-solenoid valves can be fitted as from the 9<sup>th</sup> valve location.

# Solenoid valves VUVB/valve terminals type 24 VTUB

Key features



## Equipment options

### Valve functions

- 3/2-way valve, normally open
- 3/2-way valve, normally closed
- 4/2-way valve, single solenoid
- 4/2-way valve, double solenoid

### Electrical connection options

#### Individual connection/individual valve connection

- 2 ... 16 valve positions with manifold rail
- 2 ... 32 solenoid coils
- Via plug socket with cable with either LED or illuminating seal

#### Multi-pin plug

- 4 ... 16 valve positions/  
max. 24 solenoid coils
- Sub-D

## Valve terminal configurator

Download CAD data → [www.festo.com](http://www.festo.com)

A valve terminal configurator is available to help you select a suitable valve terminal VTUB. This makes it much easier for you to find the right product.

Valve terminals type 24 VTUB are ordered via an ident. code.

All valve terminals are supplied fully assembled and individually tested. This reduces the amount of assembly and installation required to a minimum.

Ordering system for valve terminal type 24 VTUB

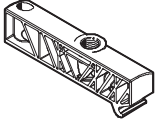
- Individual electrical connection
- Electrical multi-pin connection
- Internet: vtub

# Solenoid valves VUVB/valve terminals type 24 VTUB

Key features

FESTO

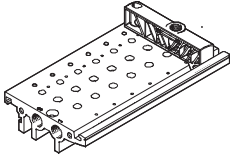
## Pilot air supply module



The pilot air supply module is included in the scope of delivery of the manifold rail.

The pilot air supply module for internal or external pilot air supply ensures even greater flexibility.

## Manifold rail

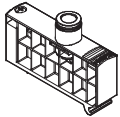


The manifold rail features a groove into which the semi in-line valves are latched and secured with just one screw.

The valve functions 4/2-way single solenoid, 4/2-way double solenoid, 3/2-way normally closed and 3/2-way normally open are available. All semi in-line valves can be supplied with cartridges QSP for tubing

diameters 4, 6, 8 and 10. 4/2-way valves are also supplied without cartridges, allowing the user to fit cartridges of their choice or blanking plugs.

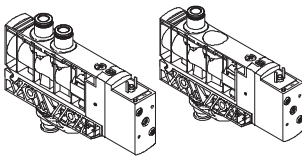
## Pressure zone supply module



The pressure zone supply module occupies one valve position and can

be used as an additional supply or for supplying a pressure zone.

## Individual valve



The individual valve can be ordered as an in-line valve (comprising semi in-line valve and sub-base ready assembled) in all functions. Tubing

diameters 6 and 8 can be selected here. The in-line valve, however, can also be assembled from the individual parts

sub-base and semi in-line valve. All tubing diameters and the variant without cartridge are available in this case.

## Blanking plate

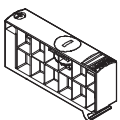
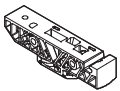


Plate without valve function for reserving valve positions on a valve terminal.

Valves and blanking plates are attached to the manifold rail using a screw.

## Sub-base



Individual sub-bases can be equipped with any valve.

Electrical connection is by means of a standardised connector plug, square design to EN 175301-803, type C.

Prefabricated plug sockets with cable or plugs for self-assembly are offered for this.

# Solenoid valves VUVB/valve terminals type 24 VTUB

Key features – Pneumatic components

## Pneumatic connection

### Supply and exhaust

The valves are supplied pneumatically via manifold rails or individual sub-bases.

The manifold rails contain common lines for compressed air supply, exhaust and pilot exhaust for all valves.

The common lines can be connected

- at the left (code L)
- at the right (code R) or
- at both ends (no code)

## Pilot air supply

In-line valves are offered with internal and external pilot air. In the case of semi in-line valves, the installation position of the insert in the sub-base determines whether the valves will be actuated internally or externally.

### Internal pilot air supply

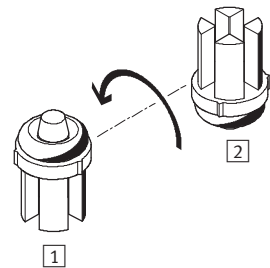
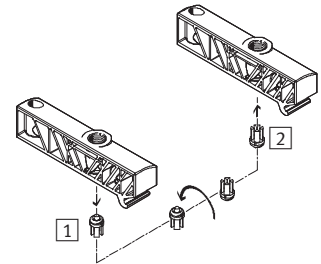
An internal pilot air supply can be selected if the supply pressure is between 2 and 8 bar. The pilot air is branched from channel 1 in the pressure zone supply module in this case.

If the selector is installed as shown in position **1**, it means that the pilot air supply will be branched internally from channel 1.

### External pilot air supply

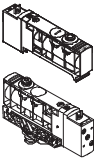
An external pilot air supply must be used if the supply pressure is between  $-0.9$  and  $+2$  bar. The pilot air is supplied via port 12/14 of the pressure zone supply module in this case.

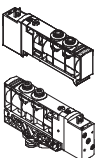
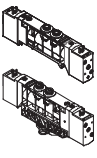
If the selector is turned  $180^\circ$  and installed as shown in position **2**, it means that the valve manifold is set to external pilot air supply.



# Solenoid valves VUVB/valve terminals type 24 VTUB

Product range overview – Individual valves and manifold valves

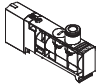
Function	Version	Type	Nominal flow rate [l/min]	Pneumatic connection	Operating voltage [V]	Semi in-line valve	In-line valve	Pilot air supply		→ Page/Internet
								internal	external	
3/2-way valves	Single solenoid valve for individual connection and valve manifold									
		VUVB-...-M32-...	200	QS-4	24 DC 110 AC 230 AC 12 DC/24 AC	■	-	-	■	14
			500	QS-6		■	■	■	■	
			800	QS-8		■	■	■	■	
			1,000	QS-10		■	-	-	■	

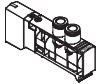
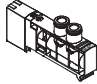
Function	Version	Type	Nominal flow rate [l/min]	Pneumatic connection	Operating voltage [V]	Semi in-line valve	In-line valve	Pilot air supply		→ Page/Internet	
								internal	external		
4/2-way valves	Single solenoid valve for individual connection and valve manifold										
		VUVB-...-M42-...	200	QS-4	24 DC 110 AC 230 AC 12 DC/24 AC	■	-	-	■	14	
			500	QS-6		■	■	■	■		
			800	QS-8		■	■	■	■		
			1,000	QS-10		■	-	-	■		
			1,000	QX <sup>1)</sup>		■	-	-	■		
	Double solenoid valve for individual connection and valve manifold										
		VUVB-...-B42-...	200	QS-4	24 DC 110 AC 230 AC 12 DC/24 AC	■	-	-	■	14	
			500	QS-6		■	■	■	■		
			800	QS-8		■	■	■	■		
1,000			QS-10	■		-	-	■			
1,000			QX <sup>1)</sup>	■		-	-	■			

1) Cartridge not included

# Solenoid valves VUVB/valve terminals type 24 VTUB

Product range overview – Terminal valves

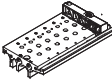
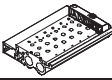
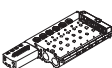
Function	Version	Type	Nominal flow rate [l/min]	Pneumatic connection	Operating voltage [V]	Semi in-line valve	Pilot air supply external	→ Page/Internet
3/2-way valves	Single solenoid valve for valve terminal with electrical multi-pin plug connection							
		VUVB-...-M32-...	200	QS-4	24 DC	<input type="checkbox"/>	<input type="checkbox"/>	36
			500	QS-6		<input type="checkbox"/>	<input type="checkbox"/>	
			800	QS-8		<input type="checkbox"/>	<input type="checkbox"/>	
			1,000	QS-10		<input type="checkbox"/>	<input type="checkbox"/>	


Function	Version	Type	Nominal flow rate [l/min]	Pneumatic connection	Operating voltage [V]	Semi in-line valve	Pilot air supply external	→ Page/Internet
4/2-way valves	Single solenoid valve for valve terminal with electrical multi-pin plug connection							
		VUVB-...-M42-...	200	QS-4	24 DC	<input type="checkbox"/>	<input type="checkbox"/>	36
			500	QS-6		<input type="checkbox"/>	<input type="checkbox"/>	
			800	QS-8		<input type="checkbox"/>	<input type="checkbox"/>	
			1,000	QS-10		<input type="checkbox"/>	<input type="checkbox"/>	
			1,000	QX <sup>1)</sup>		<input type="checkbox"/>	<input type="checkbox"/>	
	Double solenoid valve for valve terminal with electrical multi-pin plug connection							
		VUVB-...-B42-...	200	QS-4	24 DC	<input type="checkbox"/>	<input type="checkbox"/>	36
			500	QS-6		<input type="checkbox"/>	<input type="checkbox"/>	
			800	QS-8		<input type="checkbox"/>	<input type="checkbox"/>	
			1,000	QS-10		<input type="checkbox"/>	<input type="checkbox"/>	
1,000			QX <sup>1)</sup>	<input type="checkbox"/>		<input type="checkbox"/>		

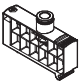
1) Cartridge not included

# Solenoid valves VUVB/valve terminals type 24 VTUB


Product range overview


Function	Version	Type	Pneumatic connection	Valve positions													Pilot air supply		→ Page/ Internet
				2	3	4	5	6	7	8	9	10	11	12	16	inter- nal	exter- nal		
Manifold rail	For valve manifold with individual electrical connection																		
		VABM	G $\frac{1}{4}$	■	■	■	■	■	■	■	■	■	■	■	■	-	■	■	23
		VABM	G $\frac{1}{2}$	■	■	■	■	■	■	■	■	■	■	■	■	■	■	■	■
Manifold rail	For valve terminal with electrical multi-pin plug connection																		
		VABM...-M1	G $\frac{1}{2}$	-	-	■	-	■	-	■	-	■	-	■	■	■	■	■	42

Function	Version	Type	Pilot air supply		→ Page/ Internet
			internal	external	
Sub-base	Individual valve				
		VABS	■	■	25

Function	Version	Type	Pneumatic connection	Use	→ Page/ Internet
Pressure zone supply module		VABF	QS-10	For additional supply to the manifold rail	43

Function	Version	Type	Use	→ Page/ Internet
Blanking plate		VABB	For covering vacant positions	44

Function	Version	Type	Use	→ Page/ Internet
Separator		VABD	For duct separation	44

Function	Version	Type	Use	→ Page/ Internet
H-rail mounting kit		VAME	For mounting on the H-rail NRH-35-2000	45

Function	Version	Type	Use	→ Page/ Internet
Cartridge fitting		QSP...		48

Function	Version	Type	Use	→ Page/ Internet
Adapter		NPFA		49



# Solenoid valves VUVB

Peripherals overview

## Overview – Solenoid valve VUVB

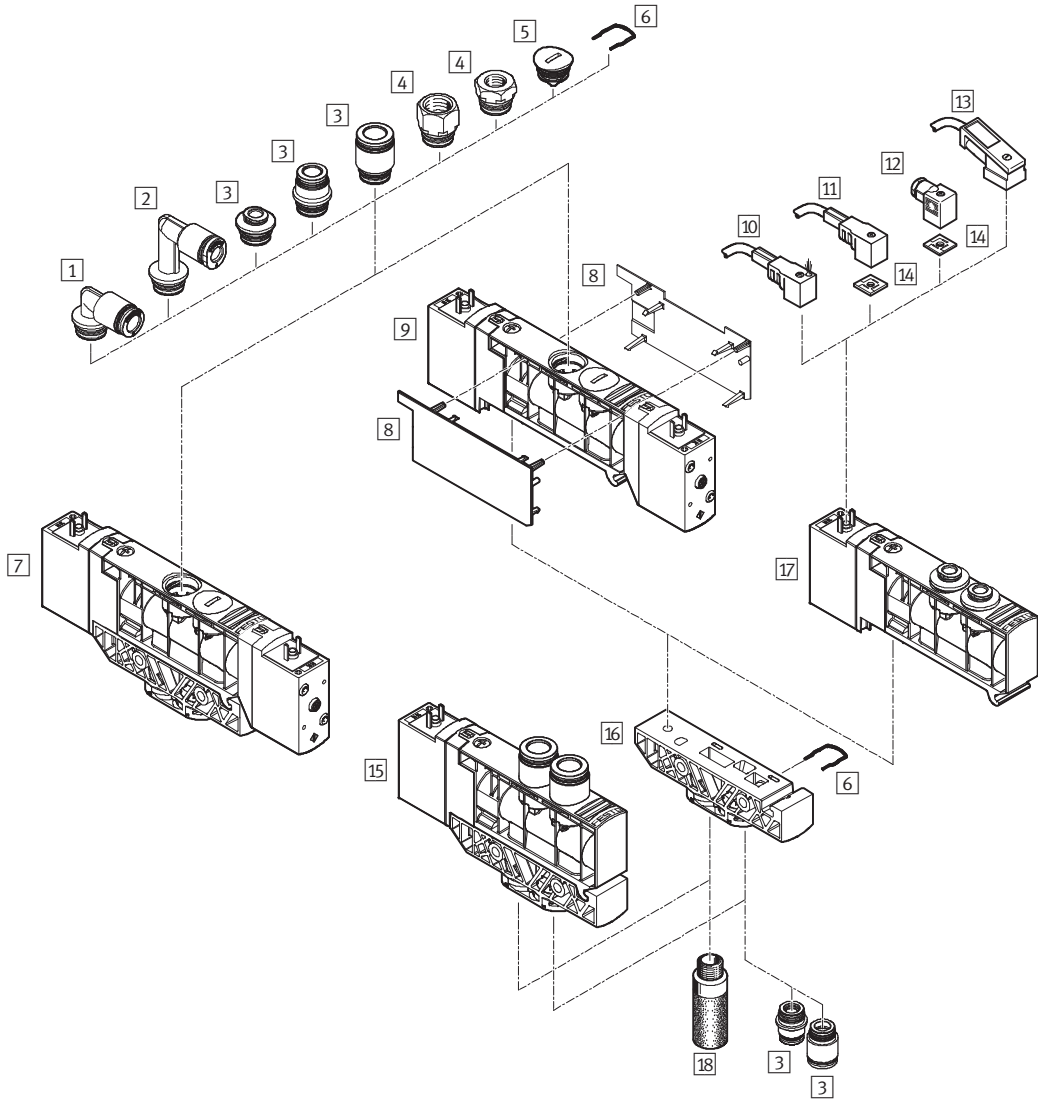
### Individual position with individual electrical connection

These peripherals are ordered via individual parts/accessories.

The individual valve can be ordered as an in-line valve or as a fully assembled semi in-line valve on a sub-base.

The in-line valve is available with 6 or 8 mm plug connectors. The semi in-line valve on sub-base is available

with 4, 6, 8 or 10 mm plug connectors or as a variant without cartridge fitting.



# Solenoid valves VUVB

Peripherals overview

FESTO

Accessories			
	Brief description	→ Page/Internet	
1	Cartridge fitting QSPL	For connecting compressed air tubing with standard external diameters	48
2	Cartridge fitting QSPLL	For connecting compressed air tubing with standard external diameters	48
3	Cartridge fitting QSP	For connecting compressed air tubing with standard external diameters	48
4	Adapter NPFA	–	49
5	Blanking plug QSPC18	For sealing the pneumatic connections on the valve	49
6	Retaining clip	For fitting cartridges and blanking plugs (included in the scope of delivery of the cartridge QSP... and the blanking plug QSPC18)	–
7	Double solenoid valve VUVB-L-...-B-...	In-line valve	14
8	Cover plate for valve housing VAMC	–	46
9	Double solenoid valve VUVB-S-...-B-...	Semi in-line valve	14
10	Plug socket with cable with LED KMEB-1-...-LED	For indicating the signal status	50
11	Plug socket with cable KMEB-1-230AC-...	Can be used up to 230 V	50
12	Plug socket MSSD-EB	–	50
13	Plug socket with cable with LED KMEB-2-24-...	For indicating the signal status	50
14	Illuminating seal MEB-LD	For indicating the signal status	50
15	Single solenoid valve VUVB-L-...-M-...	In-line valve	14
16	Sub-base VABS-B6-PB-...	For individual valve	47
17	Single solenoid valve VUVB-S-...-M-...	Semi in-line valve	14
18	Silencer U, UC	For fitting in exhaust ports	49

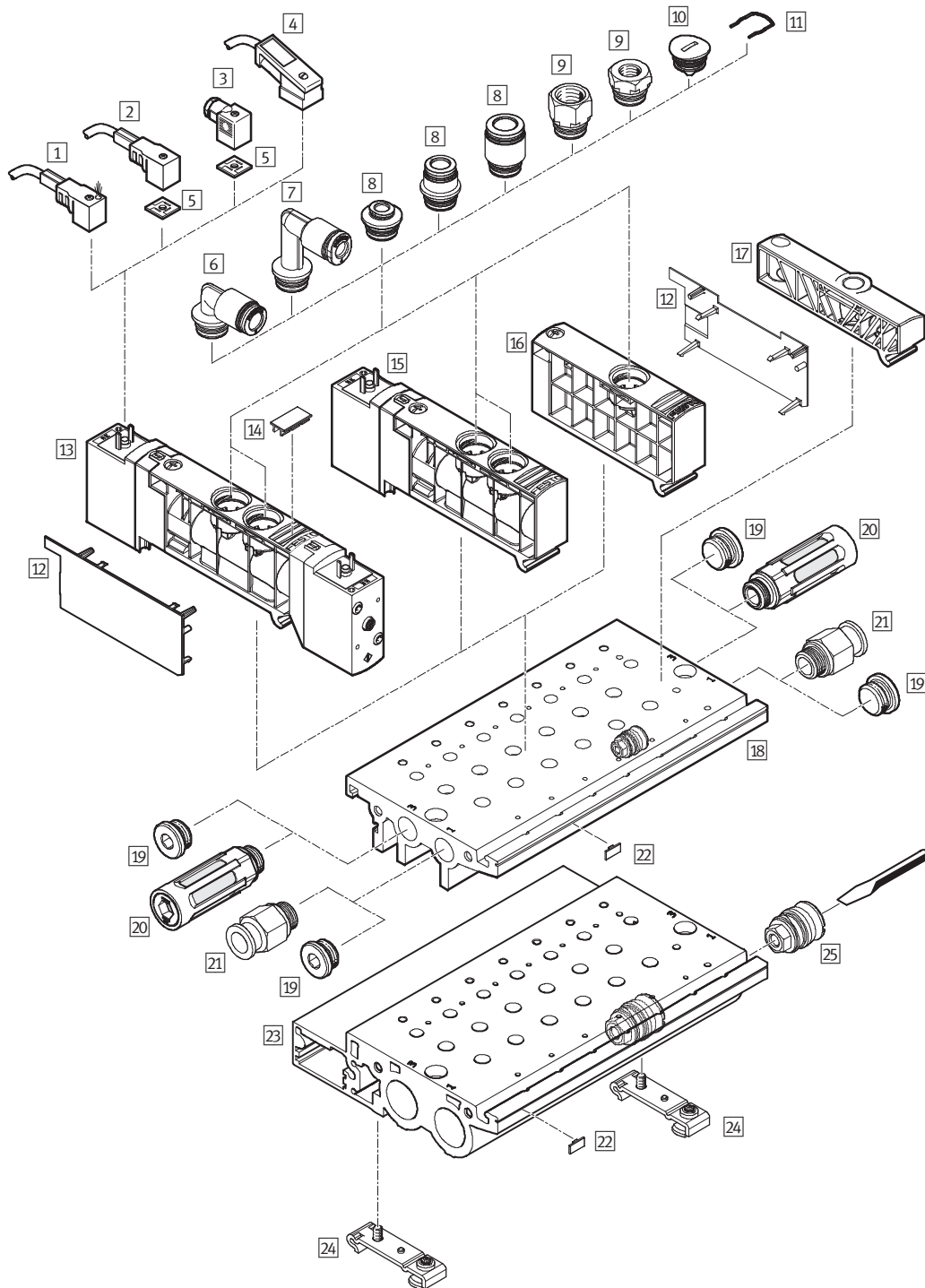
# Solenoid valves VUVB

Peripherals overview

## Overview – Solenoid valve VUVB

Manifold assembly/valve terminal with individual electrical connections

- “Individual connection type” code: ET  
Valve terminals with individual electrical connections are available in gradations from 2 to max. 16 valve positions.
- Valve positions can either be fitted with a valve or a blanking plate for future expansions.
- This gives a total maximum number of 32 controllable valve solenoid coils.



# Solenoid valves VUVB

Peripherals overview

FESTO

Accessories			
	Brief description	→ Page/Internet	
1	Plug socket with cable with LED KMEB-1-...-LED	For indicating the signal status	50
2	Plug socket with cable KMEB-1-230AC-...	Can be used up to 230 V	50
3	Plug socket MSSD-EB	–	50
4	Plug socket with cable with LED KMEB-2-24-...	For indicating the signal status	50
5	Illuminating seal MEB-LD	For indicating the signal status	50
6	Cartridge fitting QSPL-...	For connecting compressed air tubing with standard external diameters	48
7	Cartridge fitting QSPL-...	For connecting compressed air tubing with standard external diameters	48
8	Cartridge fitting QSP-...	For connecting compressed air tubing with standard external diameters	48
9	Adapter NPFA-...	–	49
10	Blanking plug QSPC18	For sealing the pneumatic connections on the valve	49
11	Retaining clip	For fitting cartridges and blanking plugs (included in the scope of delivery of the cartridge QSP... and the blanking plug QSPC18)	–
12	Cover plate for valve housing VAMC	–	46
13	Double solenoid valve VUVB-...-B	–	14
14	Inscription label IBS-9x17	For identifying the valves	49
15	Single solenoid valve VUVB-...-M	–	14
16	Pressure zone supply module/ Blanking plate VABF/VABB	Pressure zone supply module VABF: with cartridge fitting Blanking plate VABB: for vacant position, with blanking plug	46
17	Pilot air supply module	For pilot air supply (included in the scope of delivery of the manifold rail VABM)	–
18	Manifold rail VABM-B6-E-G14-...	Pneumatic connection G $\frac{1}{4}$ , for connecting max. 12 valves	47
19	Blanking plug B	–	49
20	Silencer U, UC	For fitting in exhaust ports	49
21	Push-in fitting QS	For connecting compressed air tubing with standard external diameters	48
22	Inscription label MH-BZ-80X	For identifying the manifold rail	49
23	Manifold rail VABM-B6-E-G12-...	Pneumatic connection G $\frac{1}{2}$ , for connecting max. 16 valves	47
24	H-rail mounting kit VAME	For mounting on the H-rail NRH-35-2000	49
25	Separator for pressure zones VABD	For fitting in the manifold rail	44

# Solenoid valves VUVB




Type codes – Individual valves and manifold valves

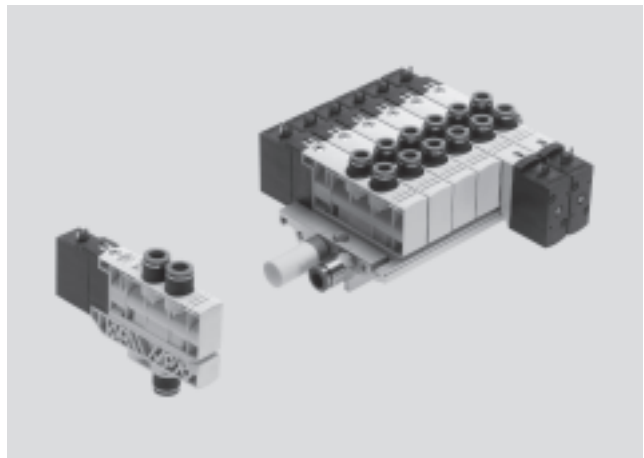
		VUVB	-	L	-	M32C	-	A	Z	D	-	Q6	-	1	C1
<b>Valve family</b>															
VUVB	Solenoid valve														
<b>Constructional design</b>															
L	In-line valve														
S	Semi in-line valve														
<b>Valve function</b>															
M32C	3/2-way valve, normally closed														
M32U	3/2-way valve, normally open														
M42	4/2-way valve, single solenoid														
B42	4/2-way valve, double solenoid														
<b>Type of reset</b>															
	None (double solenoid)														
A	Pneumatic reset														
<b>Pilot air supply</b>															
	Internal														
Z	External														
<b>Manual override facility</b>															
D	Pushing/detenting														
<b>Pneumatic connection</b>															
Q4	For tubing O.D. 4 mm														
Q6	For tubing O.D. 6 mm														
Q8	For tubing O.D. 8 mm														
Q10	For tubing O.D. 10 mm														
X	Without push-in connector														
<b>Operating voltage</b>															
1	24 V DC														
2A	110 V AC														
3A	230 V AC														
5W	12 V DC/24 V AC														
<b>Electrical connection</b>															
C1	Plug socket connection pattern to EN 175301-803, type C														

# Solenoid valves VUVB

Technical data – Individual valves and manifold valves



-  Voltage  
12, 24 V DC  
24, 110, 230 V AC
-  Pressure  
-0.9 ... +8 bar
-  Temperature range  
-5 ... +50 °C



General technical data				
Valve function		3/2, single solenoid	4/2, single solenoid	4/2, double solenoid
Constructional design		Piston spool valve		
Sealing principle		Soft		
Type of actuation		Electrical		
Type of reset		Pneumatic spring		-
Type of control		Piloted		
Pilot air supply		Internal or external		
Direction of flow		Non-reversible		
Exhaust function		No flow control		
Manual override facility		Non-detenting, detenting		
Type of mounting		Via through-holes		
Installation position		Any		
Nominal size	[mm]	7		
Standard nominal flow rate	qnN [l/min]	200 (QS-4), 500 (QS-6), 800 (QS-8), 1,000 (QS-10)		
Width	[mm]	20		
Product weight	In-line valve [g]	170	170	240
	Semi in-line valve [g]	150	150	220

Operating and environmental conditions	
Operating medium	Dried and filtered compressed air, lubricated or unlubricated, grade of filtration 40 µm, vacuum
Operating pressure [bar]	-0.9 ... +8
Operating pressure for valve terminal with internal pilot air supply [bar]	2 ... 8
Pilot pressure range [bar]	2 ... 8
Ambient temperature [°C]	-5 ... +50
Temperature of medium [°C]	-5 ... +50
Corrosion resistance class CRC	1 <sup>1)</sup>
Note on materials	Conforms to RoHS

1) Corrosion resistance class 1 to Festo standard 940 070  
Components requiring low corrosion resistance. Transport and storage protection. Parts that do not have primarily decorative surface requirements, e.g. in internal areas that are not visible or behind covers.

-  - Note

For vacuum operation valves require a filter. This is to avoid that foreign matter is drawn into the valve (e.g. when using a suction cup).

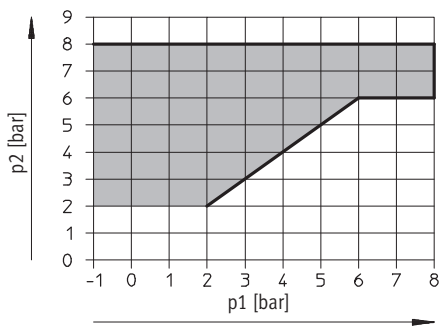
# Solenoid valves VUVB

Technical data – Individual valves and manifold valves

Electrical data			
Electrical connection		Plug, square design to EN 175301-803, type C	
Nominal operating voltage	DC	[V]	12, 24
	AC	[V]	24, 110, 230
Permissible voltage fluctuations		±10%	
Electrical power consumption	12 V DC	[W]	1.4
	24 V DC	[W]	1.5
	24 V AC	[VA]	Pull: 3.1, hold: 2.2
	110 V AC	[VA]	Pull: 3.1, hold: 2.2
	230 V AC	[VA]	Pull: 3.1, hold: 2.2
Protection class to EN 60529		IP65 (in combination with plug socket)	

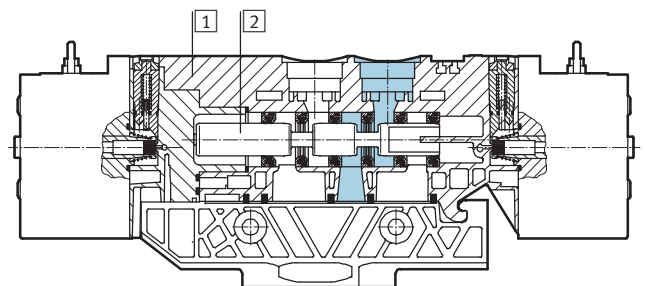
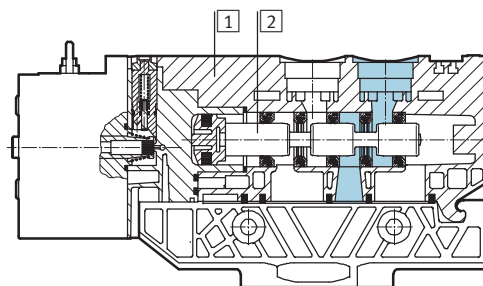
Valve response times [ms]			
Valve function	3/2, single solenoid	4/2, single solenoid	4/2, double solenoid
On	20	20	–
Off	20	20	–
Changeover	–	–	15

### Pilot pressure p2 as a function of operating pressure p1



### Materials

Sectional view – Single solenoid valve      Sectional view – Double solenoid valve



1	Housing	Reinforced polyamide
2	Piston spool	Wrought aluminium alloy
–	Seals	Nitrile rubber, hydrogenated nitrile rubber, fluorocarbon rubber

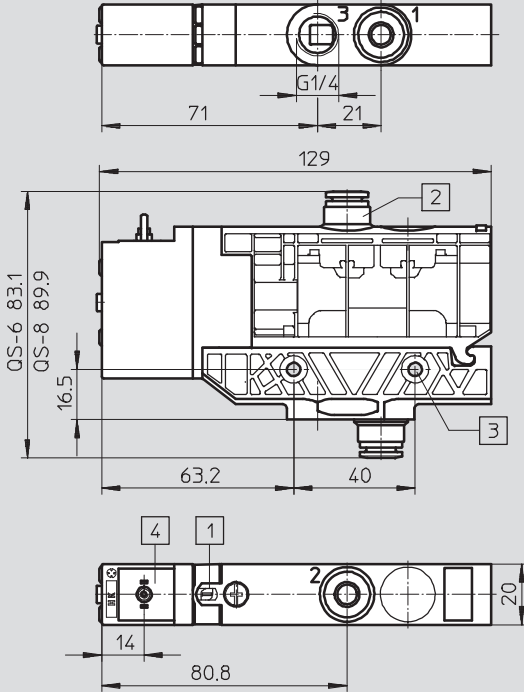
# Solenoid valves VUVB

Technical data – Individual valves and manifold valves

## Dimensions – 3/2-way and 4/2-way valve, single solenoid

Download CAD data → [www.festo.com](http://www.festo.com)

In-line valve

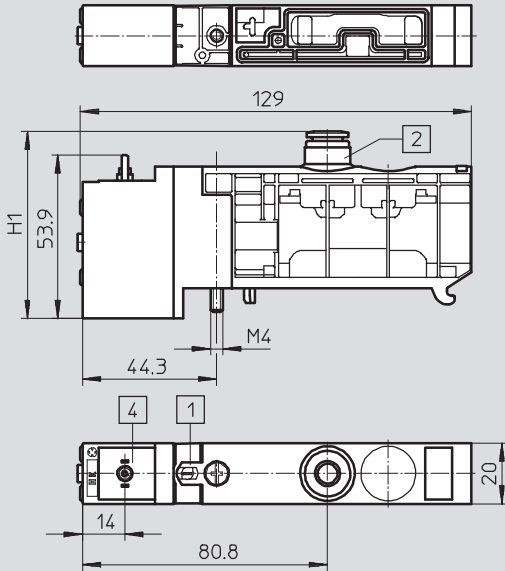


- 1 Manual override tool
- 2 Fitting QS-6 or QS-8
- 3 Through-hole for screw M4
- 4 Plug socket connection pattern to EN 175301-803, type C

## Dimensions – 3/2-way and 4/2-way valve, single solenoid

Download CAD data → [www.festo.com](http://www.festo.com)

Semi in-line valve



- 1 Manual override tool
- 2 Fitting QS
- 4 Plug socket connection pattern to EN 175301-803, type C

Pneumatic connection	H1
QS-4	57
QS-6	60

Pneumatic connection	H1
QS-8	63
QS-10	65



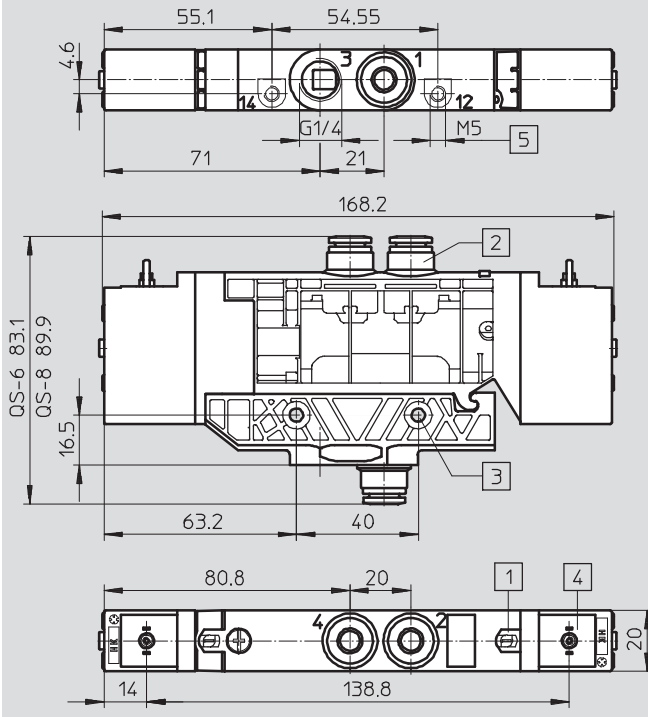
# Solenoid valves VUVB

Technical data – Individual valves and manifold valves

## Dimensions – 4/2-way valve, double solenoid

Download CAD data → [www.festo.com](http://www.festo.com)

In-line valve

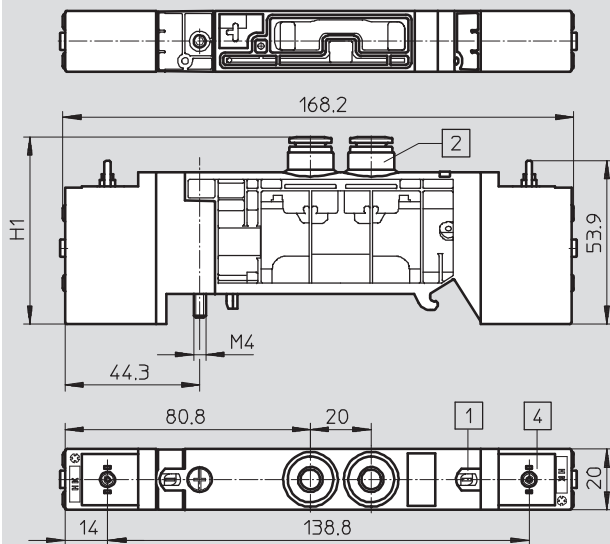


- 1 Manual override tool
- 2 Fitting QS-6 or QS-8
- 3 Through-hole for screw M4
- 4 Plug socket connection pattern to EN 175301-803, type C
- 5 Port for external pilot air

## Dimensions – 4/2-way valve, double solenoid

Download CAD data → [www.festo.com](http://www.festo.com)

Semi in-line valve



- 1 Manual override tool
- 2 Fitting QS
- 4 Plug socket connection pattern to EN 175301-803, type C

Pneumatic connection	H1
QS-4	57
QS-6	60

Pneumatic connection	H1
QS-8	63
QS-10	65

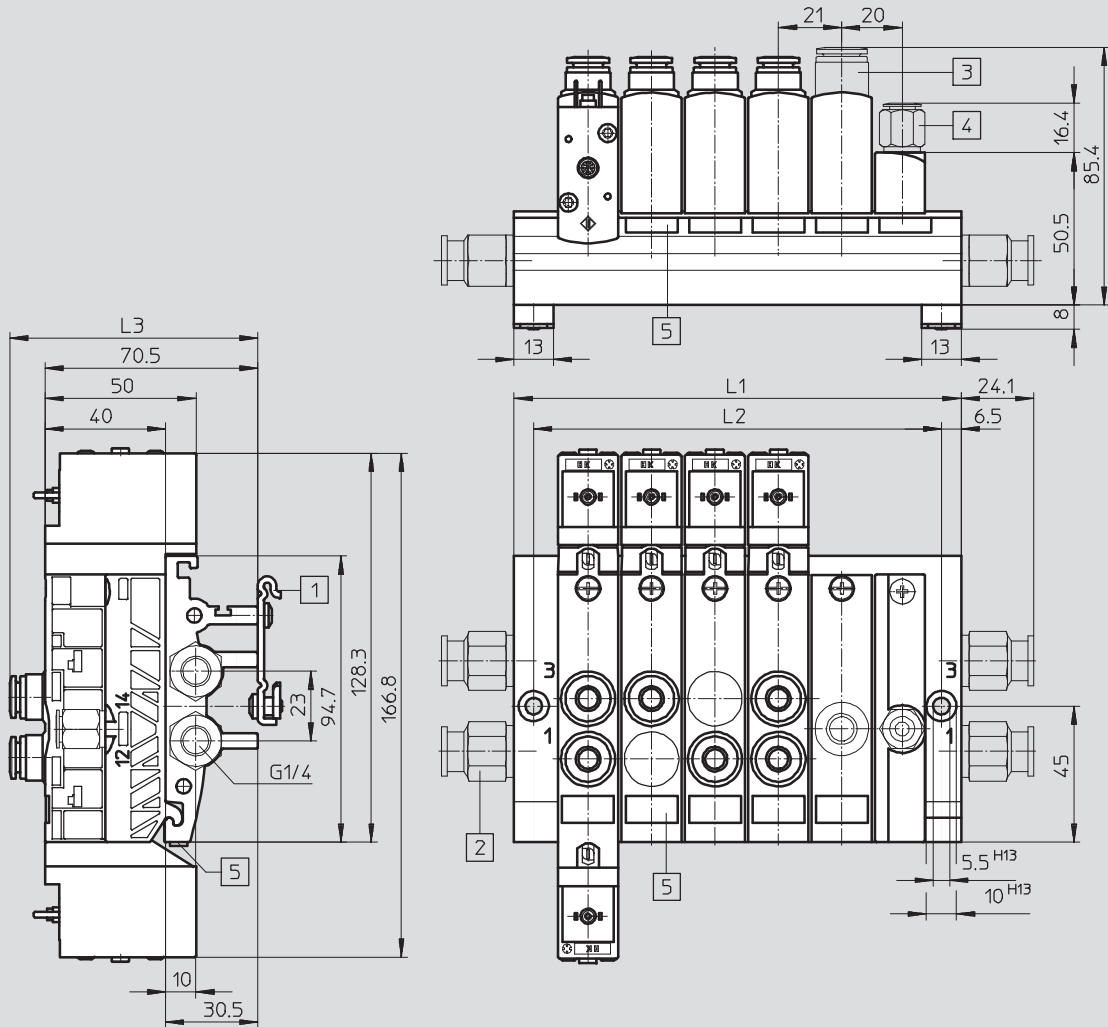
# Solenoid valves VUVB

Technical data – Individual valves and manifold valves

## Dimensions – Manifold assembly

Download CAD data → [www.festo.com](http://www.festo.com)

Manifold rail G1/4



- 1 Attachment for mounting rail NRH-35-2000 (optional)
- 2 Push-in fittings (optional)
- 3 Cartridge fitting (optional, only with pressure zone supply module)
- 4 Push-in fitting (optional, only with S types)
- 5 Inscription label (optional)

Valve positions	L1	L2
2	85	72
3	106	93
4	127	114
5	148	135
6	169	156
7	190	177
8	211	198
9	232	219
10	253	240
11	274	261
12	295	282
16	379	366

Pneumatic connection	L3
QS-4	64.4
QS-6	64.4
QS-8	72
QS-10	75.4

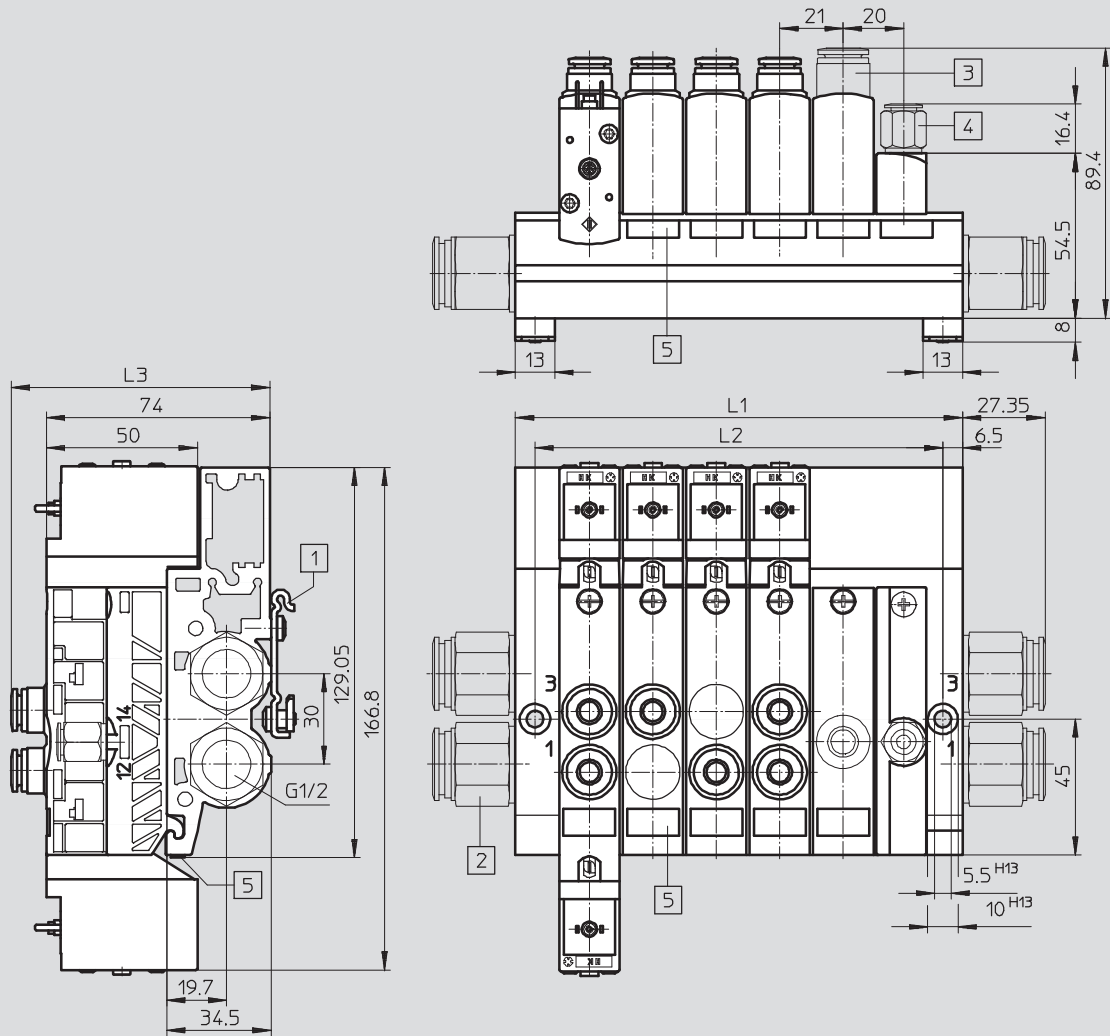
# Solenoid valves VUVB

Technical data – Individual valves and manifold valves

## Dimensions – Manifold assembly

Download CAD data → [www.festo.com](http://www.festo.com)

Manifold rail G1/2



- 1 Attachment for mounting rail NRH-35-2000 (optional)
- 2 Push-in fittings (optional)
- 3 Cartridge fitting (optional, only with pressure zone supply module)
- 4 Push-in fitting (optional, only with S types)
- 5 Inscription label (optional)

Valve positions	L1	L2
2	85	72
3	106	93
4	127	114
5	148	135
6	169	156
7	190	177
8	211	198
9	232	219
10	253	240
11	274	261
12	295	282

Pneumatic connection	L3
QS-4	78.5
QS-6	78.5
QS-8	86
QS-10	89.4

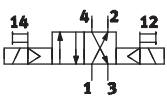
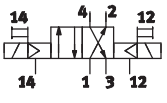
# Solenoid valves VUVB

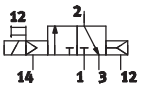
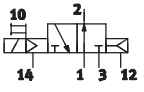
Technical data – Individual valves and manifold valves

Ordering data – In-line valves						
Circuit symbol	Code	Description	Voltage	Pneumatic connection	Part No.	Type
<b>3/2-way valves</b>						
	-	Normally closed Internal pilot air supply Pneumatic spring return	24 V DC	QS-6	537468	VUVB-L-M32C-AD-Q6-1C1
				QS-8	537469	VUVB-L-M32C-AD-Q8-1C1
			110 V AC	QS-6	537538	VUVB-L-M32C-AD-Q6-2AC1
				QS-8	537539	VUVB-L-M32C-AD-Q8-2AC1
			230 V AC	QS-6	537546	VUVB-L-M32C-AD-Q6-3AC1
				QS-8	537547	VUVB-L-M32C-AD-Q8-3AC1
	-	Normally open Internal pilot air supply Pneumatic spring return	24 V DC	QS-6	537470	VUVB-L-M32U-AD-Q6-1C1
				QS-8	537471	VUVB-L-M32U-AD-Q8-1C1
			110 V AC	QS-6	537540	VUVB-L-M32U-AD-Q6-2AC1
				QS-8	537541	VUVB-L-M32U-AD-Q8-2AC1
			230 V AC	QS-6	537548	VUVB-L-M32U-AD-Q6-3AC1
				QS-8	537549	VUVB-L-M32U-AD-Q8-3AC1
	-	Normally closed External pilot air supply Pneumatic spring return	24 V DC	QS-6	537476	VUVB-L-M32C-AZD-Q6-1C1
				QS-8	537477	VUVB-L-M32C-AZD-Q8-1C1
			110 V AC	QS-6	537554	VUVB-L-M32C-AZD-Q6-2AC1
				QS-8	537555	VUVB-L-M32C-AZD-Q8-2AC1
			230 V AC	QS-6	537562	VUVB-L-M32C-AZD-Q6-3AC1
				QS-8	537563	VUVB-L-M32C-AZD-Q8-3AC1
	-	Normally open External pilot air supply Pneumatic spring return	24 V DC	QS-6	537478	VUVB-L-M32U-AZD-Q6-1C1
				QS-8	537479	VUVB-L-M32U-AZD-Q8-1C1
			110 V AC	QS-6	537556	VUVB-L-M32U-AZD-Q6-2AC1
				QS-8	537557	VUVB-L-M32U-AZD-Q8-2AC1
			230 V AC	QS-6	537564	VUVB-L-M32U-AZD-Q6-3AC1
				QS-8	537565	VUVB-L-M32U-AZD-Q8-3AC1
<b>4/2-way valves, single solenoid</b>						
	-	Internal pilot air supply Pneumatic spring return	24 V DC	QS-6	537472	VUVB-L-M42-AD-Q6-1C1
				QS-8	537473	VUVB-L-M42-AD-Q8-1C1
			110 V AC	QS-6	537542	VUVB-L-M42-AD-Q6-2AC1
				QS-8	537543	VUVB-L-M42-AD-Q8-2AC1
			230 V AC	QS-6	537550	VUVB-L-M42-AD-Q6-3AC1
				QS-8	537551	VUVB-L-M42-AD-Q8-3AC1
	-	External pilot air supply Pneumatic spring return	24 V DC	QS-6	537480	VUVB-L-M42-AZD-Q6-1C1
				QS-8	537481	VUVB-L-M42-AZD-Q8-1C1
			110 V AC	QS-6	537558	VUVB-L-M42-AZD-Q6-2AC1
				QS-8	537559	VUVB-L-M42-AZD-Q8-2AC1
			230 V AC	QS-6	537566	VUVB-L-M42-AZD-Q6-3AC1
				QS-8	537567	VUVB-L-M42-AZD-Q8-3AC1

# Solenoid valves VUVB

Technical data – Individual valves and manifold valves

Ordering data – In-line valves						
Circuit symbol	Code	Description	Voltage	Pneumatic connection	Part No.	Type
4/2-way valves, double solenoid						
	-	Internal pilot air supply	24 V DC	QS-6	537474	VUVB-L-B42-D-Q6-1C1
				QS-8	537475	VUVB-L-B42-D-Q8-1C1
			110 V AC	QS-6	537544	VUVB-L-B42-D-Q6-2AC1
				QS-8	537545	VUVB-L-B42-D-Q8-2AC1
			230 V AC	QS-6	537552	VUVB-L-B42-D-Q6-3AC1
				QS-8	537553	VUVB-L-B42-D-Q8-3AC1
	-	External pilot air supply	24 V DC	QS-6	537482	VUVB-L-B42-ZD-Q6-1C1
				QS-8	537483	VUVB-L-B42-ZD-Q8-1C1
			110 V AC	QS-6	537560	VUVB-L-B42-ZD-Q6-2AC1
				QS-8	537561	VUVB-L-B42-ZD-Q8-2AC1
			230 V AC	QS-6	537568	VUVB-L-B42-ZD-Q6-3AC1
				QS-8	537569	VUVB-L-B42-ZD-Q8-3AC1

Ordering data – Semi in-line valves for sub-base or manifold rail						
Circuit symbol	Code	Description	Voltage	Pneumatic connection	Part No.	Type
3/2-way valves						
	K	Normally closed Pilot air supply <sup>1)</sup> Pneumatic spring return	24 V DC	QS-4	537484	VUVB-S-M32C-AZD-Q4-1C1
				QS-6	537485	VUVB-S-M32C-AZD-Q6-1C1
				QS-8	537486	VUVB-S-M32C-AZD-Q8-1C1
				QS-10	537487	VUVB-S-M32C-AZD-Q10-1C1
			110 V AC	QS-4	537570	VUVB-S-M32C-AZD-Q4-2AC1
				QS-6	537571	VUVB-S-M32C-AZD-Q6-2AC1
				QS-8	537572	VUVB-S-M32C-AZD-Q8-2AC1
			230 V AC	QS-10	537573	VUVB-S-M32C-AZD-Q10-2AC1
				QS-4	537586	VUVB-S-M32C-AZD-Q4-3AC1
				QS-6	537587	VUVB-S-M32C-AZD-Q6-3AC1
	N	Normally open Pilot air supply <sup>1)</sup> Pneumatic spring return	24 V DC	QS-4	537488	VUVB-S-M32U-AZD-Q4-1C1
				QS-6	537489	VUVB-S-M32U-AZD-Q6-1C1
				QS-8	537490	VUVB-S-M32U-AZD-Q8-1C1
				QS-10	537491	VUVB-S-M32U-AZD-Q10-1C1
			110 V AC	QS-4	537574	VUVB-S-M32U-AZD-Q4-2AC1
				QS-6	537575	VUVB-S-M32U-AZD-Q6-2AC1
				QS-8	537576	VUVB-S-M32U-AZD-Q8-2AC1
			230 V AC	QS-10	537577	VUVB-S-M32U-AZD-Q10-2AC1
				QS-4	537590	VUVB-S-M32U-AZD-Q4-3AC1
				QS-6	537591	VUVB-S-M32U-AZD-Q6-3AC1
230 V AC	QS-8	537592	VUVB-S-M32U-AZD-Q8-3AC1			
	QS-10	537593	VUVB-S-M32U-AZD-Q10-3AC1			

1) Internal/external depending on the individual sub-base or the installation position of the selector in the pressure zone supply module.

# Solenoid valves VUVB

Technical data – Individual valves and manifold valves

Ordering data – Semi in-line valves for sub-base or manifold rail									
Circuit symbol	Code	Description	Voltage	Pneumatic connection	Part No.	Type			
<b>4/2-way valves, single solenoid</b>									
	M	Pilot air supply <sup>1)</sup> Pneumatic spring return	24 V DC	QS-4	537492	VUVB-S-M42-AZD-Q4-1C1			
				QS-6	537493	VUVB-S-M42-AZD-Q6-1C1			
				QS-8	537494	VUVB-S-M42-AZD-Q8-1C1			
				QS-10	537495	VUVB-S-M42-AZD-Q10-1C1			
				without push-in connector	537534	VUVB-S-M42-AZD-QX-1C1			
			110 V AC	QS-4	537578	VUVB-S-M42-AZD-Q4-2AC1			
				QS-6	537579	VUVB-S-M42-AZD-Q6-2AC1			
				QS-8	537580	VUVB-S-M42-AZD-Q8-2AC1			
				QS-10	537581	VUVB-S-M42-AZD-Q10-2AC1			
				without push-in connector	537632	VUVB-S-M42-AZD-QX-2AC1			
			230 V AC	QS-4	537594	VUVB-S-M42-AZD-Q4-3AC1			
				QS-6	537595	VUVB-S-M42-AZD-Q6-3AC1			
				QS-8	537596	VUVB-S-M42-AZD-Q8-3AC1			
				QS-10	537597	VUVB-S-M42-AZD-Q10-3AC1			
				without push-in connector	537636	VUVB-S-M42-AZD-QX-3AC1			
			12 V DC/ 24 V AC	without push-in connector	545376	VUVB-S-M42-AZD-QX-5WC1			
			<b>4/2-way valves, double solenoid</b>						
				J	Pilot air supply <sup>1)</sup>	24 V DC	QS-4	537496	VUVB-S-B42-ZD-Q4-1C1
							QS-6	537497	VUVB-S-B42-ZD-Q6-1C1
							QS-8	537498	VUVB-S-B42-ZD-Q8-1C1
QS-10	537499	VUVB-S-B42-ZD-Q10-1C1							
without push-in connector	537535	VUVB-S-B42-ZD-QX-1C1							
110 V AC	QS-4	537582				VUVB-S-B42-ZD-Q4-2AC1			
	QS-6	537583				VUVB-S-B42-ZD-Q6-2AC1			
	QS-8	537584				VUVB-S-B42-ZD-Q8-2AC1			
	QS-10	537585				VUVB-S-B42-ZD-Q10-2AC1			
	without push-in connector	537633				VUVB-S-B42-ZD-QX-2AC1			
230 V AC	QS-4	537598				VUVB-S-B42-ZD-Q4-3AC1			
	QS-6	537599				VUVB-S-B42-ZD-Q6-3AC1			
	QS-8	537600				VUVB-S-B42-ZD-Q8-3AC1			
	QS-10	537601				VUVB-S-B42-ZD-Q10-3AC1			
	without push-in connector	537637				VUVB-S-B42-ZD-QX-3AC1			
12 V DC/ 24 V AC	without push-in connector	545377				VUVB-S-B42-ZD-QX-5WC1			

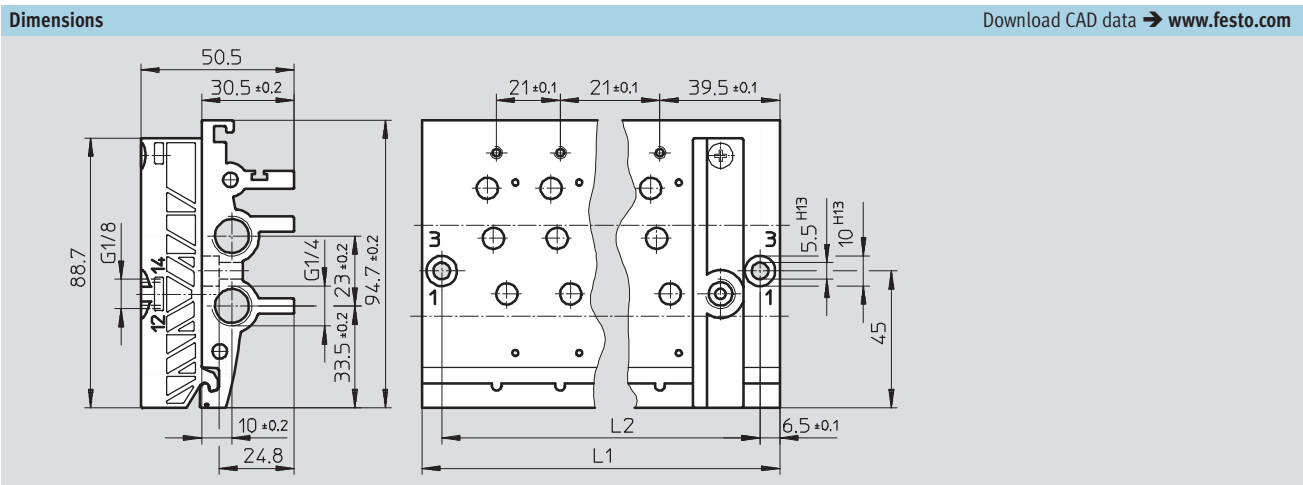
1) Internal/external depending on the individual sub-base or the installation position of the selector in the pressure zone supply module.

# Solenoid valves VUVB

Technical data – Manifold rail

Manifold rail G $\frac{1}{4}$   
VABM

Material:  
Wrought aluminium alloy



Dimensions and ordering data						
Valve positions	L1	L2	Weight [g]	CRC	Part No.	Type
2	85	72	270	2 <sup>1)</sup>	537500	VABM-B6-E-G14-2
3	106	93	340	2 <sup>1)</sup>	545815	VABM-B6-E-G14-3
4	127	114	400	2 <sup>1)</sup>	537501	VABM-B6-E-G14-4
5	148	134	470	2 <sup>1)</sup>	545816	VABM-B6-E-G14-5
6	169	156	530	2 <sup>1)</sup>	537502	VABM-B6-E-G14-6
7	190	177	600	2 <sup>1)</sup>	545817	VABM-B6-E-G14-7
8	211	198	670	2 <sup>1)</sup>	537503	VABM-B6-E-G14-8
9	232	219	740	2 <sup>1)</sup>	545818	VABM-B6-E-G14-9
10	253	240	800	2 <sup>1)</sup>	537504	VABM-B6-E-G14-10
11	274	261	870	2 <sup>1)</sup>	545819	VABM-B6-E-G14-11
12	295	282	940	2 <sup>1)</sup>	537505	VABM-B6-E-G14-12

1) Corrosion resistance class 2 to Festo standard 940 070  
Components subject to moderate corrosion stress. Externally visible parts with primarily decorative surface requirements which are in direct contact with a normal industrial environment or media such as coolants or lubricating agents.

# Solenoid valves VUVB

Technical data – Manifold rail

FESTO

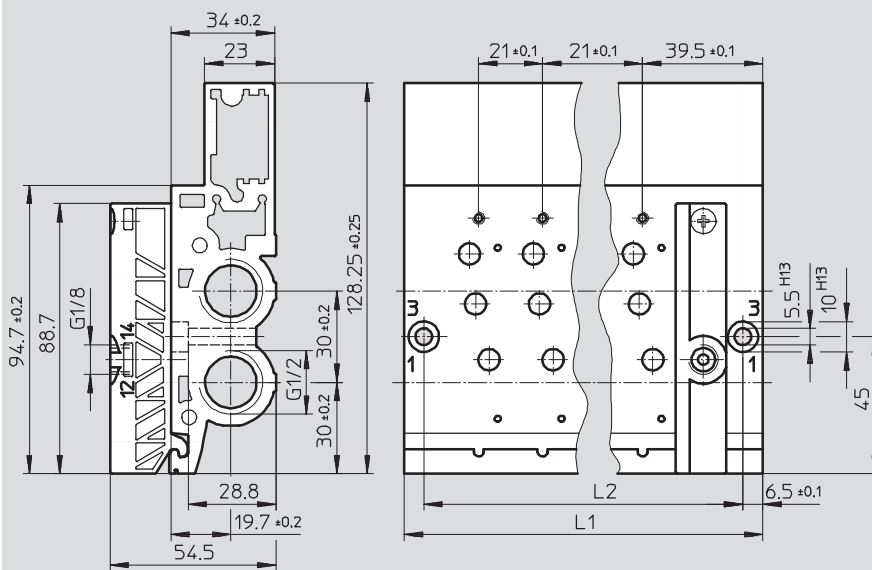
Manifold rail G $\frac{1}{2}$   
VABM

Material:  
Wrought aluminium alloy



## Dimensions

Download CAD data → [www.festo.com](http://www.festo.com)



## Dimensions and ordering data

Valve positions	L1	L2	Weight [g]	CRC	Part No.	Type
2	85	72	460	2 <sup>1)</sup>	537506	VABM-B6-E-G12-2
3	106	93	580	2 <sup>1)</sup>	545820	VABM-B6-E-G12-3
4	127	114	690	2 <sup>1)</sup>	537507	VABM-B6-E-G12-4
5	148	135	820	2 <sup>1)</sup>	545821	VABM-B6-E-G12-5
6	169	156	915	2 <sup>1)</sup>	537508	VABM-B6-E-G12-6
7	190	177	1,030	2 <sup>1)</sup>	545822	VABM-B6-E-G12-7
8	211	198	1,150	2 <sup>1)</sup>	537509	VABM-B6-E-G12-8
9	232	219	1,270	2 <sup>1)</sup>	545823	VABM-B6-E-G12-9
10	253	240	1,380	2 <sup>1)</sup>	537510	VABM-B6-E-G12-10
11	274	261	1,500	2 <sup>1)</sup>	545824	VABM-B6-E-G12-11
12	295	282	1,620	2 <sup>1)</sup>	537511	VABM-B6-E-G12-12
16	379	366	2,100	2 <sup>1)</sup>	564835	VABM-B6-E-G12-16

1) Corrosion resistance class 2 to Festo standard 940 070

Components subject to moderate corrosion stress. Externally visible parts with primarily decorative surface requirements which are in direct contact with a normal industrial environment or media such as coolants or lubricating agents.

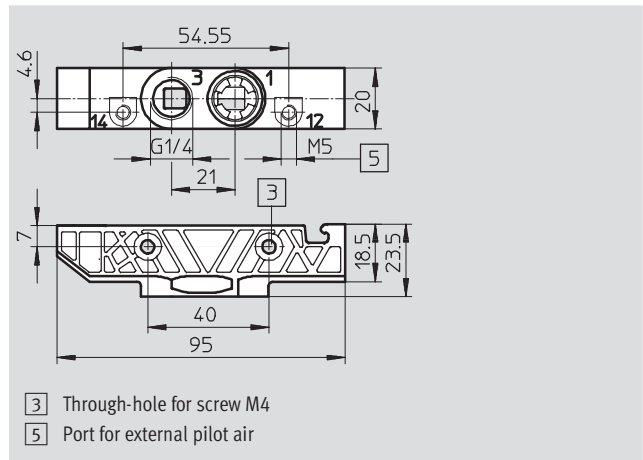


# Solenoid valves VUVB

Technical data – Sub-base

## Sub-base VABS

Material:  
Reinforced polyamide



Ordering data						
Valve positions	Description	Pressure supply connection	Weight [g]	CRC	Part No.	Type
1	Internal pilot air supply	Cartridge	22	2 <sup>1)</sup>	537518	VABS-B6-PB-Q-B
1	External pilot air supply	Cartridge	22	2 <sup>1)</sup>	537519	VABS-B6-PB-Q

1) Corrosion resistance class 2 to Festo standard 940 070  
Components subject to moderate corrosion stress. Externally visible parts with primarily decorative surface requirements which are in direct contact with a normal industrial environment or media such as coolants or lubricating agents.

# Valve terminals type 24 VTUB

Peripherals overview

## Overview – Valve terminal type 24 VTUB

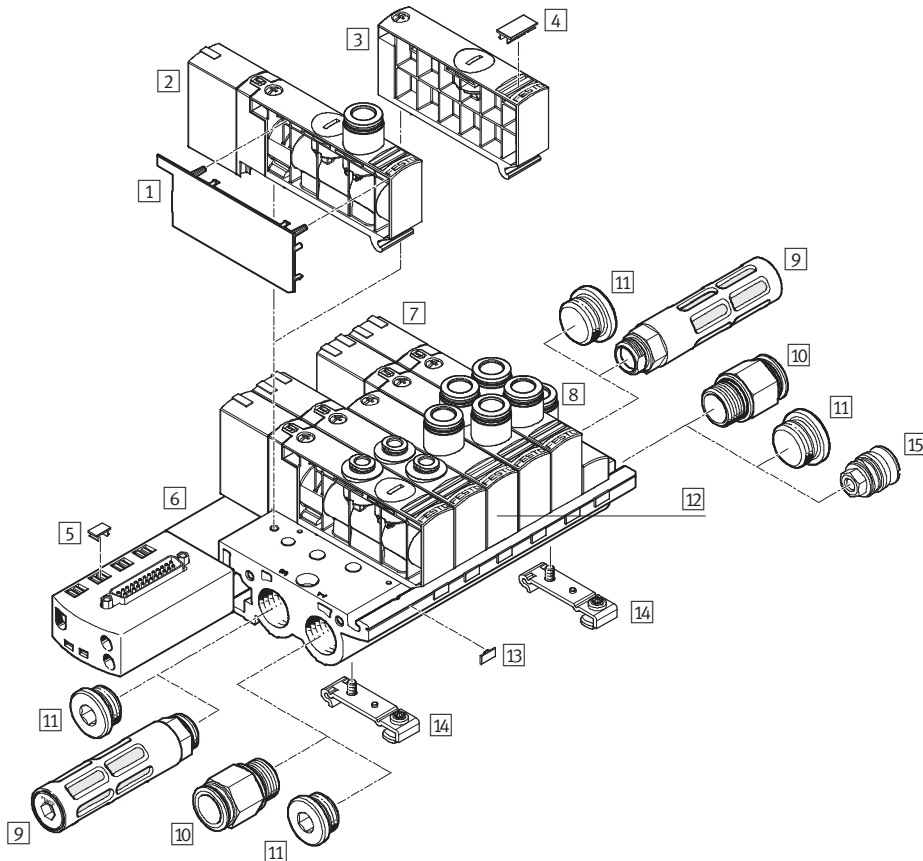
Valve terminal with electrical multi-pin plug connection


- 25-pin Sub-D multi-pin plug connection  
Code: SD

Valve terminals with electrical multi-pin plug connection are available in gradations from 2 to max. 16 valve positions.

Each valve position can either be equipped with a valve or a blanking plate.

A maximum of 24 valve solenoid coils can be actuated via the electrical multi-pin plug connection.



-  - Note  
There are valve terminals for 4, 6, 8, 10, 12 and 16 valve locations in connection size G $\frac{1}{2}$ . In the design with 16 valve locations, only single-solenoid valves can be fitted as from the 9<sup>th</sup> valve location.

## Valve terminals type 24 VTUB

Peripherals overview

FESTO

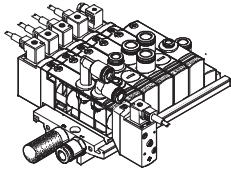
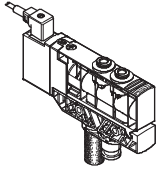
Accessories		
	Brief description	→ Page/Internet
1	Cover plate for valve housing VAMC	46
2	Single solenoid valve VUVB-...-M	36
3	Blanking plate VABB	Blanking plate VABB: for vacant position, with blanking plug 46
4	Inscription label IBS-9x17	For identifying the valves 49
5	Inscription label IBS-6x10	49
6	Manifold rail VABM-B6-E-G...-6-M1	With multi-pin plug connection, for connecting max. 16 valves 47
7	Double solenoid valve VUVB-...-B	36
8	Pilot air supply module	For pilot air supply (included in the scope of delivery of the manifold rail VABM) -
9	Silencer U, UC	For fitting in exhaust ports 49
10	Push-in fitting QS	For connecting compressed air tubing with standard external diameters 48
11	Blanking plug B	49
12	Pressure zone supply module VABF	Pressure zone supply module VABF: with cartridge 46
13	Inscription label MH-BZ-80X	For identifying the manifold rail 49
14	H-rail mounting kit VAME	For mounting on the H-rail NRH-35-2000 49
15	Separator for pressure zones VABD	For mounting in the manifold rail 44

# Valve terminals type 24 VTUB

Key features

FESTO

## Individual connection



Connection is independent of the control technology used. There are two different valve types, in-line valves and semi in-line valves for manifold rails or individual sub-bases.

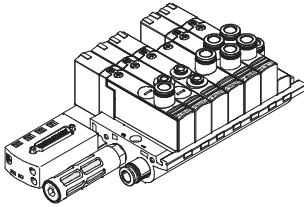
Between 2 ... 32 solenoid coils (divided between 2 ... 16 valve positions) can be selected with individual connection.

Valves can be used on individual sub-bases for actuators further away from the valve terminal.

With an individual electrical connection, the plug is connected directly to the valve. A number of plug sockets/ plug sockets with cable can be selected for the valve terminal and for the individual sub-base:

- KMEB-1-...-LED with signal status display
- KMEB-1-230AC-... can be used up to 230 V AC
- MSSD-EB for self-assembly
- KMEB-2-24-... with signal status display
- Illuminating seal MEB-LD for signal status display

## Multi-pin plug connection



Control signals from the controller to the valve terminal are transmitted via a pre-assembled multi-wire cable, which substantially reduces installation time.

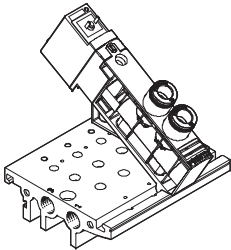
This valve terminal can be fitted with 4 ... 16 valves.

Variants

- Sub-D connection

Double solenoid drive with multi-pin plug connection. The valve is equipped with an LED for displaying the signal status.

## Wide range of pneumatic components



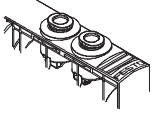
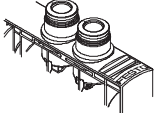
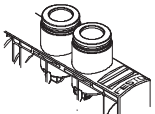
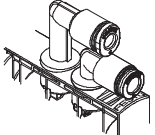
• The use of the same basic valves for both the individual valves and the valve manifold permits fast and flexible conversion and multiple use of parts.

• Flexible construction thanks to assembled and tested units or individual components as modules for individual configurations.

• Flow rates from 200 ... 1,000 l/min depending on the respective application through the selection of appropriate QS connections.

# Valve terminals type 24 VTUB

Key features – Pneumatic components

Connection on the valve		
	Code	Description
Code for valve connection position: T		
	P4	Push-in connector 4 mm Connection position on top, straight
	P6	Push-in connector 6 mm Connection position on top, straight
	P8	Push-in connector 8 mm Connection position on top, straight
	P10	Push-in connector 10 mm Connection position on top, straight
Code for valve connection position: TB, TA, TC		
	P4	Push-in connector 4 mm Connection position on top, angled outlet to the front/rear, front, rear
	P6	Push-in connector 6 mm Connection position on top, angled outlet to the front/rear, front, rear
	P8	Push-in connector 8 mm Connection position on top, angled outlet to the front/rear, front, rear

# Valve terminals type 24 VTUB

Key features – Pneumatic components



## Instructions for using pressure zones

The VTUB valve terminal can be operated with 2 pressure zones, supplied either from the left or from the right.

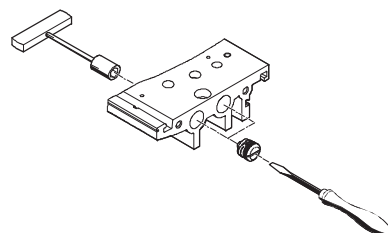
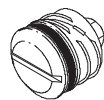
Pressure zones are created by means of separators that can be used in the following ducts:

- Supply duct 1 (code TP) and exhaust duct 3 (code TS) or
- Exhaust duct 3 (code TR)
- Supply duct 1

Duct separation		Code	Description
<p>1 Pressure zone 1 2 Pressure zone 2</p>	TP	Duct 1 closed	
<p>1 Pressure zone 1 2 Pressure zone 2</p>	TS	Duct 1/3 closed	
<p>1 Pressure zone 1 2 Pressure zone 2</p>	TR	Duct 3 closed	

## Separator VABD-B6

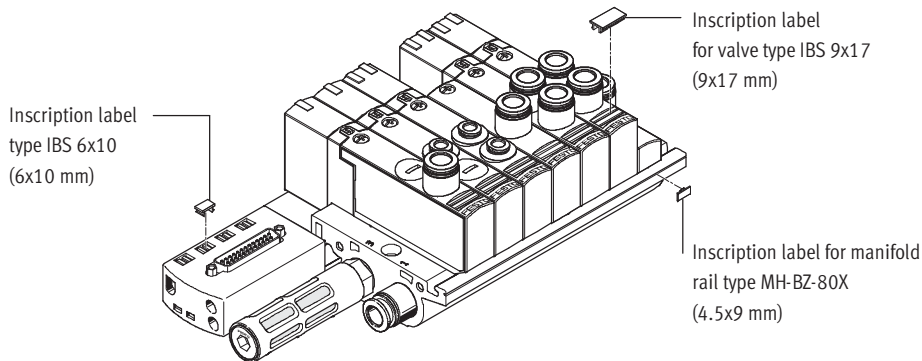
- - Note  
The separator can also be fitted subsequently using a screwdriver/ socket spanner.



# Valve terminals type 24 VTUB

Key features – Display and operation

## Inscription system



Inscription labels can be applied to the valves and manifold rails to identify them.

- Inscription labels for valve type IBS-9x17 Part No. 161 937
- Inscription labels for manifold rail type MH-BZ-80X Part No. 197 259

## Display and operation

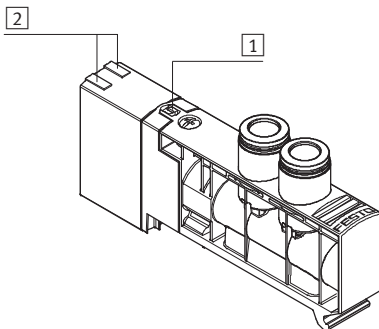
Each solenoid coil can be allocated an LED which indicates its signal status. Suitable plug sockets with cable can be found on page 50. The multi-pin variant has the LED integrated in the valve.

The manual override (MO) allows the valve to be activated without electronic control or power supply.

The valve is activated by pushing the manual override. The set switching status can be secured by rotating the manual override.

 Note

A manually activated valve (manual override) cannot be reset electrically. Conversely, an electrically activated valve cannot be reset using the mechanical manual override.



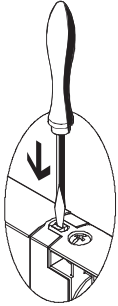
- 1 Optional manual override (pushing and detenting via turning using a screwdriver)
- 2 LED signal status display per solenoid coil

# Valve terminals type 24 VTUB

Key features – Display and operation

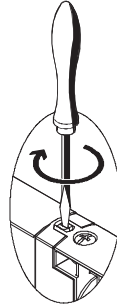
## Manual override (MO)

### MO with automatic return (non-detenting)



Press in the stem of the MO with a pin or screwdriver.  
 → Valve is in switching position  
 Remove the pin or screwdriver.  
 Spring force pushes the stem of the MO back.  
 → Valve returns to normal position.

### MO with detent (turning with detent)<sup>1)</sup>



Press in the stem of the MO using a pin or screwdriver until the valve switches and then turn the stem clockwise by 90° until the stop is reached.  
 → Valve remains in switching position  
 Turn the stem anti-clockwise by 90° until the stop is reached and then remove the pin or screwdriver.  
 Spring force pushes the stem of the MO back.  
 → Valve returns to normal position.

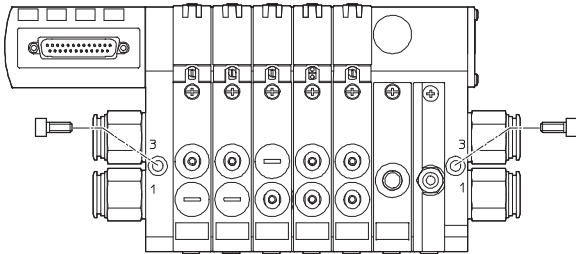
1) Not with double solenoid valve code J for electrical multi-pin plug connection (double solenoid valve)

## Mounting – Valve terminal

Sturdy terminal assembly thanks to:

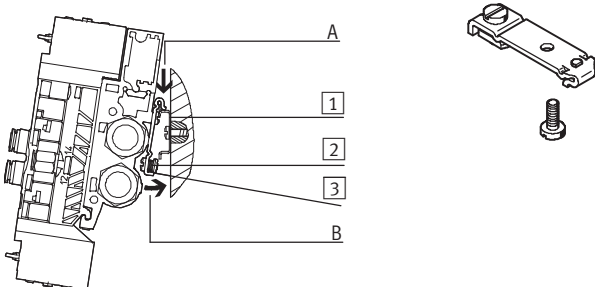
- Two through-holes for wall mounting
- Integrated attachment for H-rail mounting

### Wall mounting



The VTUB valve terminal is screwed onto the mounting surface using two M5 screws.

### H-rail mounting



The VTUB valve terminal is hooked onto the H-rail (see arrow A). The valve terminal VTUB is then swivelled on the H-rail and secured in place with the clamping component (see arrow B).

- 1 H-rail
- 2 Self-tapping M4x8 screw of the H-rail clamping unit
- 3 Clamping component of the H-rail clamping unit

For H-rail mounting of the valve terminal you will need the VAME-B6-T mounting kit. This permits mounting of the valve terminal on a H-rail to EN 60715.

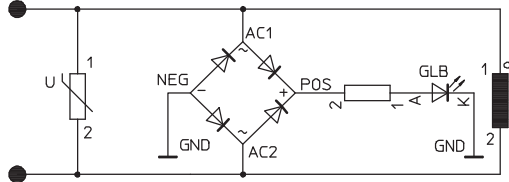


# Valve terminals type 24 VTUB

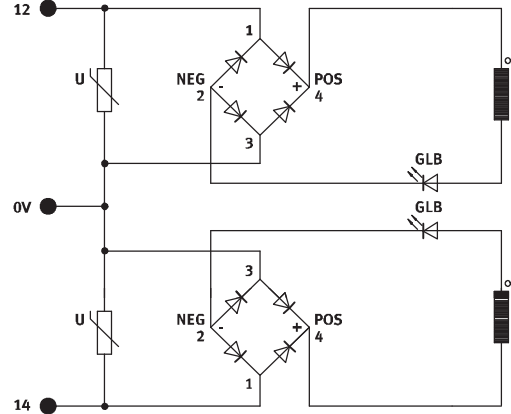
Key features – Electrical components/instructions for use

## Protective circuit for plug-in valves for valve terminal Multi-pin

24 V DC version for single solenoid valves



24 V DC version for double solenoid valves



## Pin allocation – Sub-D plug

	Connecting cable, 25-wire			Connecting cable, 15-wire		
	Pin	Address/coil	Core colour <sup>1)</sup>	Pin	Address/coil	Core colour <sup>1)</sup>
	1	0	WH	1	0	WH
	2	1	BN	2	1	BN
	3	2	GN	3	2	GN
	4	3	YE	4	3	YE
	5	4	GY	5	4	GY
	6	5	PK	6	5	PK
	7	6	BU	7	6	BU
	8	7	RD	8	7	RD
	9	8	BK	9	8	BK
	10	9	VT	10	9	VT
	11	10	GY PK	11	10	GY PK
	12	11	RD BU	12	11	RD BU
	13	12	GN WH	13	-	-
	14	13	BN GN	14	-	-
	15	14	YE WH	15	-	-
	16	15	BN YE	16	-	-
	17	16	GY WH	17	-	-
	18	17	BN GY	18	-	-
	19	18	WH PK	19	-	-
	20	19	BN PK	20	-	-
	21	20	BU WH	21	-	-
	22	21	BN BU	22	-	-
	23	22	RD WH	23	-	RD WH
	24	23	BN RD	24	-	BN RD
	25	0 V	BK WH	25	0 V	BK WH

- - Note  
The drawing shows the view onto the pins of the Sub-D plug.

1) To IEC 757

# Valve terminals type 24 VTUB

Key features – Electrical components/instructions for use

FESTO

## Equipment

Operate your equipment with unlubricated compressed air if possible. Festo valves and cylinders are designed for operation under normal use without any additional lubrication, yet still have a long service life. The quality of compressed air downstream from the compressor must correspond to that of unlubricated compressed air. If possible, do not operate all of your equipment with lubricated compressed air. The lubricators should, where possible, always be installed directly upstream of the actuator used.

Incorrect additional oil and too high an oil content in the compressed air reduce the service life of the valve terminal.  
Use Festo special oil OFSW-32 or the alternatives listed in the Festo catalogue (as specified in DIN 51524 HLP32; basic oil viscosity 32 CST at 40 °C).

### Bio-oils

When using bio-oils (oils which are based upon synthetic or native ester, e.g. rapeseed oil methyl ester), the maximum residual oil content of 0.1 mg/m<sup>3</sup> must not be exceeded (see ISO 8573-1 Class 2).

### Mineral oils

When using mineral oils (e.g. HLP oils to DIN 51524, parts 1 through 3) or similar oils based on poly-alpha-olefins (PAO), the maximum residual oil content of 5 mg/m<sup>3</sup> must not be exceeded (see ISO 8573-1 Class 4). A higher residual oil content irrespective of the compressor oil cannot be permitted, as the basic lubricant would be flushed out over time.

# Valve terminals type 24 VTUB




Type codes – Terminal valves

		VUVB	-	S	-	M32C	-	A	Z	D	-	Q4	-	1	T1	L
<b>Valve family</b>																
VUVB	Solenoid valve															
<b>Constructional design</b>																
S	Semi in-line valve															
<b>Valve function</b>																
M32C	3/2-way valve, normally closed															
M32U	3/2-way valve, normally open															
M42	4/2-way valve, single solenoid															
B42	4/2-way valve, double solenoid															
<b>Type of reset</b>																
	None (double solenoid)															
A	Pneumatic reset															
<b>Pilot air supply</b>																
	Internal															
Z	External															
<b>Manual override facility</b>																
D	Pushing/detenting															
<b>Pneumatic connection</b>																
Q4	For tubing O.D. 4 mm															
Q6	For tubing O.D. 6 mm															
Q8	For tubing O.D. 8 mm															
Q10	For tubing O.D. 10 mm															
X	Without push-in connector															
<b>Operating voltage</b>																
1	24 V DC															
<b>Electrical connection</b>																
T1	Plug-in, connection for multi-pin plug															
<b>Signal status display</b>																
L	LED															

# Valve terminals type 24 VTUB

Technical data – Terminal valves

FESTO


-  Voltage  
24 V DC
-  Pressure  
-0.9 ... +8 bar
-  Temperature range  
-5 ... +50 °C



General technical data				
Valve function		3/2, single solenoid	4/2, single solenoid	4/2, double solenoid
Constructional design		Piston spool valve		
Sealing principle		Soft		
Type of actuation		Electrical		
Type of reset		Pneumatic spring		-
Type of control		Piloted		
Pilot air supply		Internal or external		
Direction of flow		Non-reversible		
Exhaust function		No flow control		
Manual override facility		Non-detenting, detenting		Non-detenting
Type of mounting		Via through-holes		
Installation position		Any		
Width	[mm]	20		
Nominal size	[mm]	7		
Pneumatic connections				
Supply connection	1	G <sup>1</sup> / <sub>2</sub> (sub-base)		
Exhaust connection	3	G <sup>1</sup> / <sub>2</sub> (sub-base)		
Working lines	2/4	QS-4, QS-6, QS-8, QS-10		
External pilot air connection	12/14	M5 (sub-base)		
Standard nominal flow rate	qnN	[l/min]	200 (QS-4), 500 (QS-6), 800 (QS-8), 1,000 (QS-10)	

Operating and environmental conditions			
Operating medium		Dried and filtered compressed air, lubricated or unlubricated, grade of filtration 40 µm, vacuum	
Operating pressure	[bar]	-0.9 ... +8	
Operating pressure for valve terminal with internal pilot air supply	[bar]	2 ... +8	
Pilot pressure	[bar]	2 ... 8	
Ambient temperature	[°C]	-5 ... +50	
Temperature of medium	[°C]	-5 ... +50	
Storage temperature <sup>1)</sup>	[°C]	-20 ... +40	
Note on materials		Conforms to RoHS	

1) Long-term storage

-  - Note

For vacuum operation valves require a filter. This is to avoid that foreign matter is drawn into the valve (e.g. when using a suction cup).

# Valve terminals type 24 VTUB

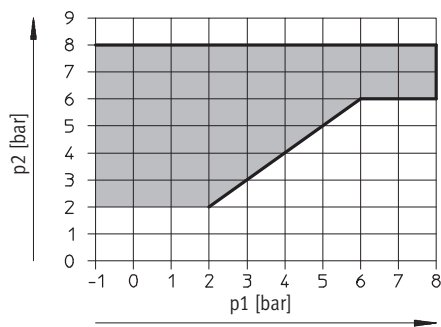
Technical data – Terminal valves

FESTO

Electrical data				
Valve function		3/2, single solenoid	4/2, single solenoid	4/2, double solenoid
Electrical connection		Socket for multi-pin plug		
Nominal operating voltage	[V DC]	24		
Permissible voltage fluctuations		±10%		
Electrical power consumption	[W]	1.5	1.5	3.3 (following a current reduction 0.1)
Protection class to EN 60529		IP65		

Valve response times [ms]				
Valve function		3/2, single solenoid	4/2, single solenoid	4/2, double solenoid
On		20	20	–
Off		20	20	–
Changeover		–	–	20

## Pilot pressure p2 as a function of operating pressure p1

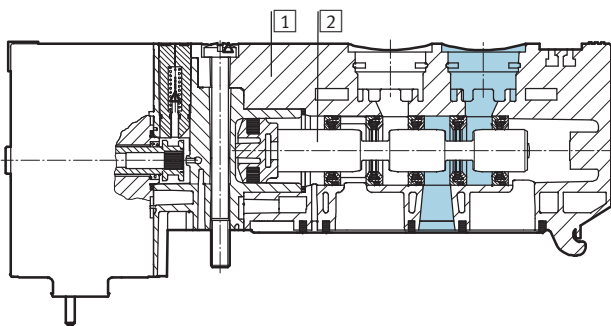


## Materials – Valves

Sectional view

Single solenoid

Double solenoid



1	Housing	Reinforced polyamide
2	Piston spool	Wrought aluminium alloy
–	Seals	Nitrile rubber, hydrogenated nitrile rubber, fluorocarbon rubber

## Materials

Manifold rail with multi-pin plug	Wrought aluminium alloy
Pressure zone supply module	Reinforced polyamide
Blanking plate for vacant position	Reinforced polyamide

# Valve terminals type 24 VTUB

Technical data – Terminal valves

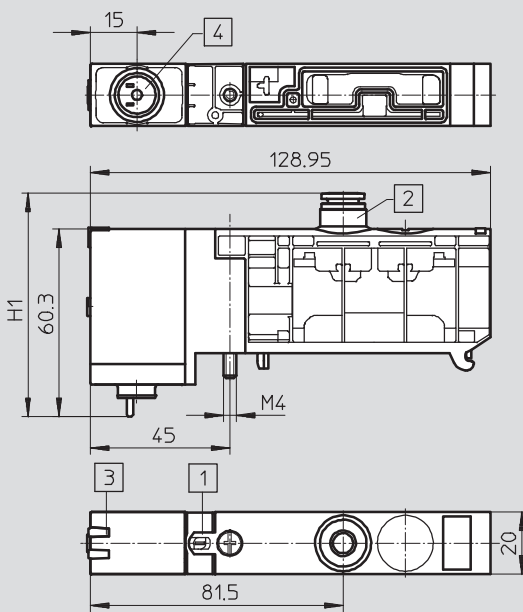
FESTO

Product weight	
Approx. weights	[g]
Manifold rail with multi-pin plug	
• 4 valve positions	690
• 6 valve positions	915
• 8 valve positions	1,150
• 10 valve positions	1,380
• 12 valve positions	1,620
• 16 valve positions	2100
Pressure zone supply module	30
Valves	
• Single solenoid (code K, N, M)	150
• Double solenoid (code J)	220
Blanking plate for vacant position	25

## Dimensions – 3/2-way and 4/2-way valve, single solenoid

Download CAD data → [www.festo.com](http://www.festo.com)

For electrical multi-pin plug



- 1 Manual override facility
- 2 Fitting QS
- 3 LED display
- 4 Plug for electrical linking

Pneumatic connection	H1
QS-4	57
QS-6	60

Pneumatic connection	H1
QS-8	63
QS-10	65

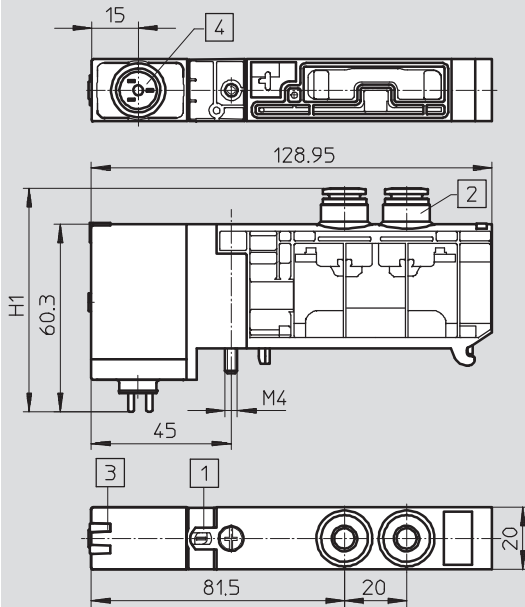
# Valve terminals type 24 VTUB

Technical data – Terminal valves

## Dimensions – 4/2-way valve, double solenoid

Download CAD data → [www.festo.com](http://www.festo.com)

For electrical multi-pin plug



- 1 Manual override facility
- 2 Fitting QS
- 3 LED display
- 4 Plug for electrical linking

Pneumatic connection	H1
QS-4	57
QS-6	60

Pneumatic connection	H1
QS-8	63
QS-10	65

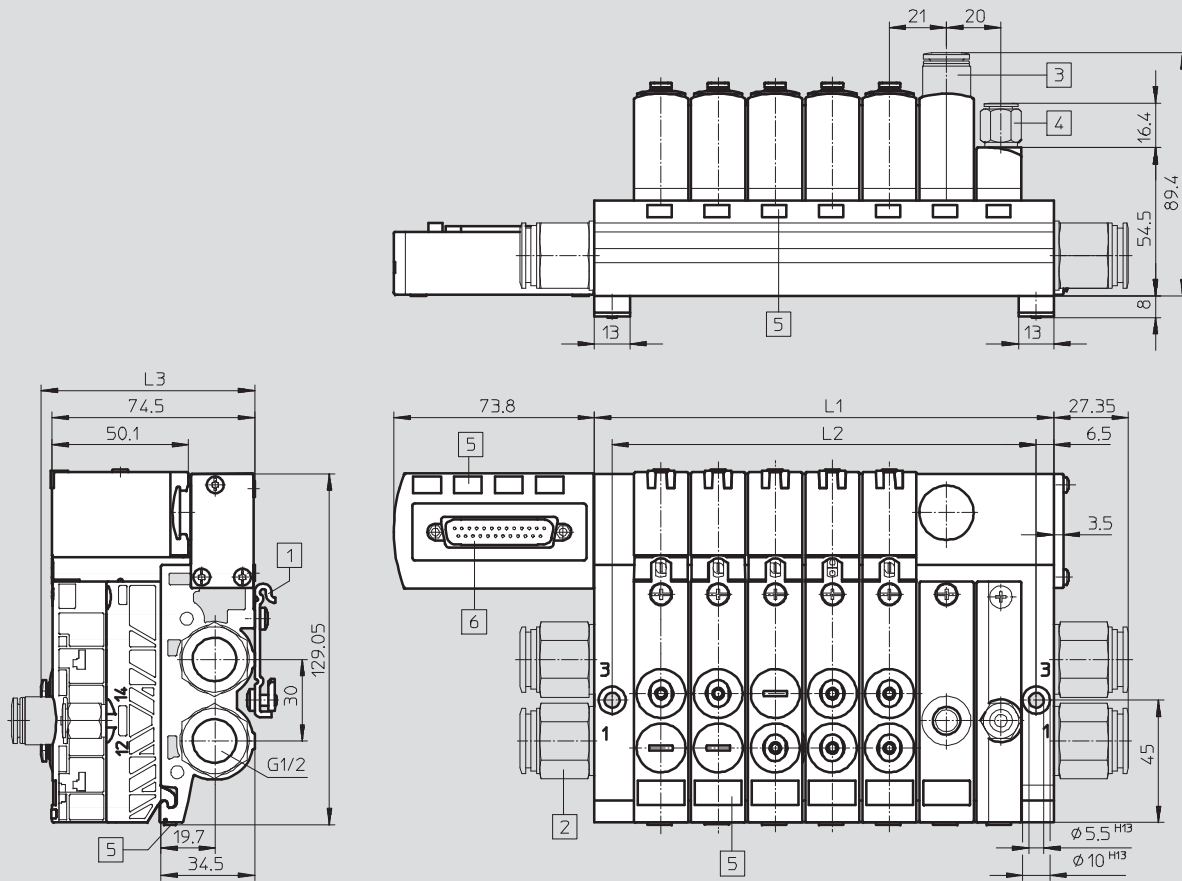
# Valve terminals type 24 VTUB

Technical data – Terminal valves

## Dimensions – Valve terminal

Download CAD data → [www.festo.com](http://www.festo.com)

With electrical multi-pin plug



- 1 Attachment VAME-B6-T (optional) for mounting rail
- 2 Push-in fittings (optional)
- 3 Push-in fittings (optional, only with pressure zone supply module; cover plate only with blanking plug)
- 4 Push-in fitting (optional, only with S types)
- 5 Inscription label (optional)
- 6 Sub-D plug

Valve positions	L1	L2
4	127	114
6	169	156
8	211	198
10	253	240
12	295	282
16	379	366

Pneumatic connection	L3
QS-4	78.5
QS-6	78.5
QS-8	86
QS-10	89.4



# Valve terminals type 24 VTUB

Technical data – Terminal valves

FESTO

Ordering data – Valves for valve terminal						
Circuit symbol	Code	Description	Voltage	Pneumatic connection	Part No.	Type
<b>3/2-way valves</b>						
	K	Normally closed Pilot air supply <sup>1)</sup> Pneumatic spring return	24 V DC	QS-4	537602	VUVB-S-M32C-AZD-Q4-1T1L
				QS-6	537603	VUVB-S-M32C-AZD-Q6-1T1L
				QS-8	537604	VUVB-S-M32C-AZD-Q8-1T1L
				QS-10	537605	VUVB-S-M32C-AZD-Q10-1T1L
	N	Normally open Pilot air supply <sup>1)</sup> Pneumatic spring return	24 V DC	QS-4	537606	VUVB-S-M32U-AZD-Q4-1T1L
				QS-6	537607	VUVB-S-M32U-AZD-Q6-1T1L
				QS-8	537608	VUVB-S-M32U-AZD-Q8-1T1L
				QS-10	537609	VUVB-S-M32U-AZD-Q10-1T1L
<b>4/2-way valves, single solenoid</b>						
	M	Pilot air supply <sup>1)</sup> Pneumatic spring return	24 V DC	QS-4	537610	VUVB-S-M42-AZD-Q4-1T1L
				QS-6	537611	VUVB-S-M42-AZD-Q6-1T1L
				QS-8	537612	VUVB-S-M42-AZD-Q8-1T1L
				QS-10	537613	VUVB-S-M42-AZD-Q10-1T1L
				without push-in connector	537640	VUVB-S-M42-AZD-QX-1T1L
<b>4/2-way valves, double solenoid</b>						
	J	Pilot air supply <sup>1)</sup>	24 V DC	QS-4	537614	VUVB-S-B42-ZD-Q4-1T1L
				QS-6	537615	VUVB-S-B42-ZD-Q6-1T1L
				QS-8	537616	VUVB-S-B42-ZD-Q8-1T1L
				QS-10	537617	VUVB-S-B42-ZD-Q10-1T1L
				without push-in connector	537641	VUVB-S-B42-ZD-QX-1T1L

1) Internal/external depending on the installation position of the selector in the pressure zone supply module.

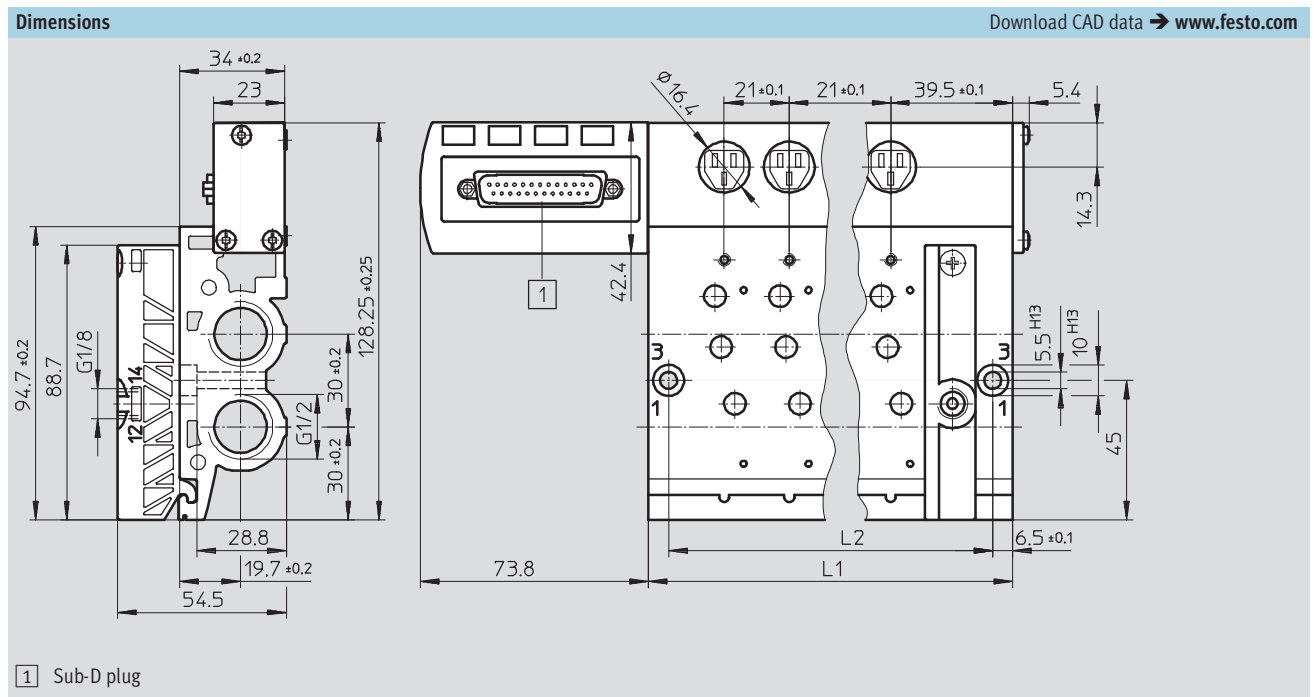
# Valve terminals type 24 VTUB

Technical data – Manifold rail



Manifold rail with electrical multi-pin plug VABM-...-M1

Material:  
Wrought aluminium alloy



Dimensions and ordering data						
Valve positions	L1	L2	Weight [g]	CRC	Part No.	Type
4	127	114	690	2 <sup>1)</sup>	537618	VABM-B6-E-G12-4-M1
6	169	156	915	2 <sup>1)</sup>	537619	VABM-B6-E-G12-6-M1
8	211	198	1,150	2 <sup>1)</sup>	537620	VABM-B6-E-G12-8-M1
10	253	240	1,380	2 <sup>1)</sup>	537621	VABM-B6-E-G12-10-M1
12	295	282	1,620	2 <sup>1)</sup>	537622	VABM-B6-E-G12-12-M1
16	379	366	2,100	2 <sup>1)</sup>	550186	VABM-B6-E-G12-16-M1

1) Corrosion resistance class 2 to Festo standard 940 070  
Components subject to moderate corrosion stress. Externally visible parts with primarily decorative surface requirements which are in direct contact with a normal industrial environment or media such as coolants or lubricating agents.

# Solenoid valves VUVB/valve terminals type 24 VTUB

Accessories

## Cover plate for valve housing VAMC

Material:  
Polyamide

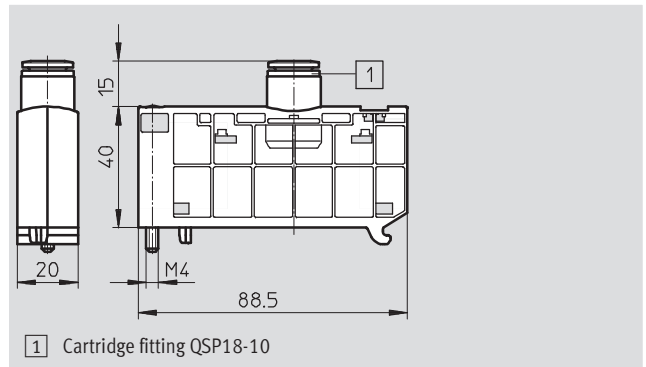


Ordering data			
CRC	Part No.	Type	
2 <sup>1)</sup>	537512	VAMC-B6-C	

1) Corrosion resistance class 2 to Festo standard 940 070  
Components subject to moderate corrosion stress. Externally visible parts with primarily decorative surface requirements which are in direct contact with a normal industrial environment or media such as coolants or lubricating agents.

## Pressure zone supply module VABF

Material:  
Reinforced polyamide



Ordering data			
		CRC	Part No. Type
For individual electrical connection	With cartridge fitting QSP18-10	2 <sup>1)</sup>	537517 VABF-B6-P1A5-Q10
For multi-pin plug connection	With cartridge fitting QSP18-10 and cover cap for multi-pin plug connection	2 <sup>1)</sup>	537624 VABF-B6-P1A9-Q10

1) Corrosion resistance class 2 to Festo standard 940 070  
Components subject to moderate corrosion stress. Externally visible parts with primarily decorative surface requirements which are in direct contact with a normal industrial environment or media such as coolants or lubricating agents.

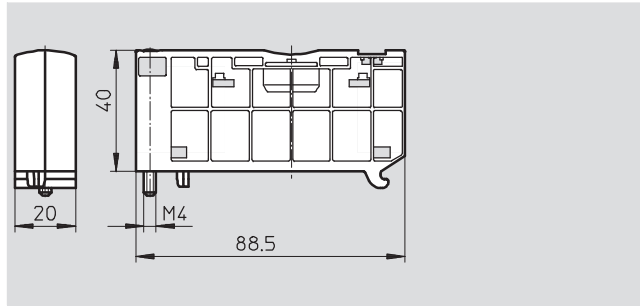
# Solenoid valves VUVB/valve terminals type 24 VTUB

FESTO

Accessories

## Blanking plate VABB

Material:  
Reinforced polyamide



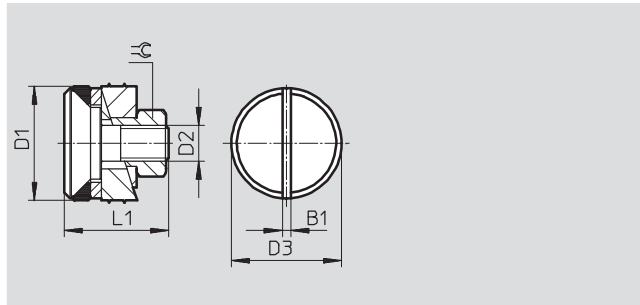
Ordering data		CRC	Part No.	Type
For individual electrical connection	–	2 <sup>1)</sup>	537513	VABB-B6-E
For multi-pin plug connection	With cover plate for multi-pin plug connection	2 <sup>1)</sup>	537623	VABB-B6-ET

1) Corrosion resistance class 2 to Festo standard 940 070  
Components subject to moderate corrosion stress. Externally visible parts with primarily decorative surface requirements which are in direct contact with a normal industrial environment or media such as coolants or lubricating agents.

## Separator for pressure zones VABD

VABD

Material:  
Steel



Dimensions and ordering data									
Manifold rail	B1	D1 ∅	D2 ∅	D3 ∅	L1	≈C	CRC	Part No.	Type
G <sup>1</sup> / <sub>4</sub>	1.6	11.7	M4	11.3	13.9	7	2 <sup>1)</sup>	537515	VABD-B6-14-P-C
G <sup>1</sup> / <sub>2</sub>	1.4	19	M6	18.3	17.3	10	2 <sup>1)</sup>	537516	VABD-B6-12-P-C

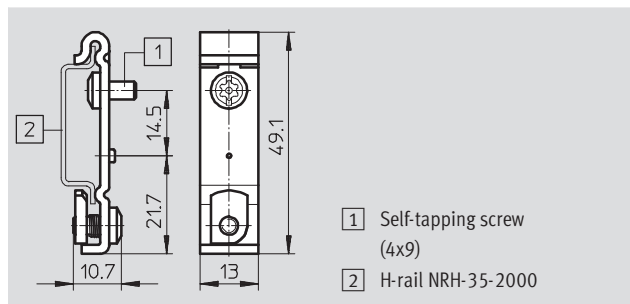
1) Corrosion resistance class 2 to Festo standard 940 070  
Components subject to moderate corrosion stress. Externally visible parts with primarily decorative surface requirements which are in direct contact with a normal industrial environment or media such as coolants or lubricating agents.

# Solenoid valves VUVB/valve terminals type 24 VTUB

Accessories

## H-rail mounting kit VAME

Material:  
Steel



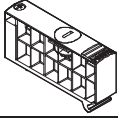
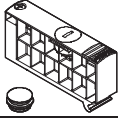
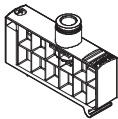
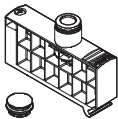
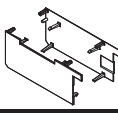
Ordering data	
CRC	Part No. Type
2 <sup>1)</sup>	537514 VAME-B6-T

1) Corrosion resistance class 2 to Festo standard 940 070  
Components subject to moderate corrosion stress. Externally visible parts with primarily decorative surface requirements which are in direct contact with a normal industrial environment or media such as coolants or lubricating agents.

# Solenoid valves VUVB/valve terminals type 24 VTUB

FESTO

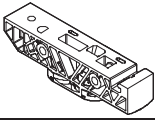
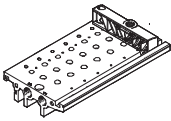
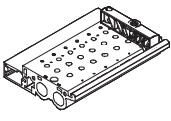
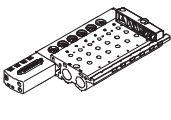

Accessories

Ordering data						
	Code	Valve function	Voltage	Pneumatic connection	Part No.	Type
Blanking plate for vacant position						
	L	For individual electrical connection	–	–	537513	VABB-B6-E
	L	For multi-pin plug connection with cover cap for electrical multi-pin plug connection	–	–	537623	VABB-B6-ET
Pressure zone supply module						
	S	Additional supply for individual electrical connection	–	QS-10	537517	VABF-B6-P1A5-Q10
	S	Additional supply for multi-pin plug connection with cover cap	–	QS-10	537624	VABF-B6-P1A9-Q10
	–	Variable plate from which either a sub-base is produced through combination with a blanking plug or a pressure zone supply module is produced through combination with a cartridge		–	537532	VABF-B6-P1A5-Q
Cover plate for valve housing						
	C	Valve design with cover	–	–	537512	VAMC-B6-C

# Solenoid valves VUVB/valve terminals type 24 VTUB

FESTO



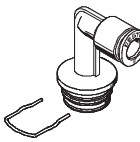

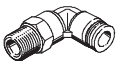
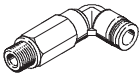
Accessories

Ordering data						
	Code	Description	Valve positions	Pressure supply connection	Part No.	Type
<b>Sub-base for individual valve</b>						
	-	Internal pilot air supply	1	Cartridge	537518	VABS-B6-PB-Q-B
	-	External pilot air supply	1	Cartridge	537519	VABS-B6-PB-Q
<b>Manifold rail for individual electrical connection</b>						
	-		2	G1/4	537500	VABM-B6-E-G14-2
			3		545815	VABM-B6-E-G14-3
			4		537501	VABM-B6-E-G14-4
			5		545816	VABM-B6-E-G14-5
			6		537502	VABM-B6-E-G14-6
			7		545817	VABM-B6-E-G14-7
			8		537503	VABM-B6-E-G14-8
			9		545818	VABM-B6-E-G14-9
			10		537504	VABM-B6-E-G14-10
			11		545819	VABM-B6-E-G14-11
			12		537505	VABM-B6-E-G14-12
		-			2	G1/2
			3	545820	VABM-B6-E-G12-3	
			4	537507	VABM-B6-E-G12-4	
			5	545821	VABM-B6-E-G12-5	
			6	537508	VABM-B6-E-G12-6	
			7	545822	VABM-B6-E-G12-7	
			8	537509	VABM-B6-E-G12-8	
			9	545823	VABM-B6-E-G12-9	
			10	537510	VABM-B6-E-G12-10	
			11	545824	VABM-B6-E-G12-11	
			12	537511	VABM-B6-E-G12-12	
			16	564835	VABM-B6-E-G12-16	
<b>Manifold rail for valve terminal with multi-pin plug connection</b>						
	-		4	G1/2	537618	VABM-B6-E-G12-4-M1
			6		537619	VABM-B6-E-G12-6-M1
			8		537620	VABM-B6-E-G12-8-M1
			10		537621	VABM-B6-E-G12-10-M1
			12		537622	VABM-B6-E-G12-12-M1
			16		550186	VABM-B6-E-G12-16-M1
<b>Separator</b>						
	TP, TS,	For duct separation	-	G1/4	537515	VABD-B6-14-P-C
	TR		-	G1/2	537516	VABD-B6-12-P-C

# Solenoid valves VUVB/valve terminals type 24 VTUB

FESTO

Accessories







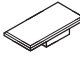
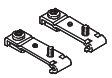
Ordering data						
	Code	Description	Tubing O.D.	Packaging unit	Part No.	Type
<b>Cartridge fitting with push-in connector</b>						
	-	Straight	4 mm	10 pieces	130839	QSP18-4
	-	Connection Ø 18 mm	6 mm	10 pieces	130840	QSP18-6
	-		8 mm	10 pieces	130841	QSP18-8
	-		10 mm	10 pieces	130842	QSP18-10
	-	L-shape	4 mm	10 pieces	130843	QSPL18-4
	-	Connection Ø 18 mm	6 mm	10 pieces	130844	QSPL18-6
	-		8 mm	10 pieces	130845	QSPL18-8
	-		10 mm	10 pieces	132639	QSPLK18-10
	-		3/8"	10 pieces	132641	QSPLK18-3/8-U
	-	L-shape, long	4 mm	10 pieces	130846	QSPLL18-4
	-	Connection Ø 18 mm	6 mm	10 pieces	130847	QSPLL18-6
	-		8 mm	10 pieces	130848	QSPLL18-8
	-		10 mm	10 pieces	132640	QSPLLK18-10
	-		3/8"	10 pieces	132642	QSPLLK18-3/8-U
<b>Push-in fitting</b> <span style="float: right;">Technical data → Internet: quick star</span>						
	-	With sealing ring	6 mm	10 pieces	186096	QS-G1/8-6
	-	Connection G1/8	8 mm	10 pieces	186098	QS-G1/8-8
	-		6 mm	10 pieces	186097	QS-G1/4-6
	-	Connection G1/4	8 mm	10 pieces	186099	QS-G1/4-8
	-		10 mm	10 pieces	186101	QS-G1/4-10
	-		12 mm	10 pieces	186350	QS-G1/4-12
	-	With sealing ring	12 mm	1 piece	186104	QS-G1/2-12
	-		Connection G1/2	16 mm	1 piece	186105
	-	Connection R1/4		6 mm	10 pieces	153003
	-		8 mm	10 pieces	153005	QS-1/4-8
	-		10 mm	10 pieces	153007	QS-1/4-10
	-		12 mm	10 pieces	164980	QS-1/4-12
	-	Connection R1/2	10 mm	1 piece	190646	QS-1/2-10
	-		12 mm	1 piece	153010	QS-1/2-12
-	16 mm		1 piece	153011	QS-1/2-16	
<b>Push-in L-fitting</b> <span style="float: right;">Technical data → Internet: quick star</span>						
	-	With sealing ring	6 mm	10 pieces	186117	QSL-G1/8-6
	-	Connection G1/8	8 mm	10 pieces	186119	QSL-G1/8-8
	-		6 mm	10 pieces	186118	QSL-G1/4-6
	-	Connection G1/4	8 mm	10 pieces	186120	QSL-G1/4-8
	-		10 mm	10 pieces	186122	QSL-G1/4-10
	-		12 mm	10 pieces	186351	QSL-G1/4-12
	-	With sealing ring	12 mm	1 piece	186125	QSL-G1/2-12
	-		Connection G1/2	16 mm	1 piece	186126
<b>Push-in L-fitting, long</b> <span style="float: right;">Technical data → Internet: quick star</span>						
	-	With sealing ring	6 mm	10 pieces	186129	QSL-G1/4-6
	-	Connection G1/4	8 mm	10 pieces	186131	QSL-G1/4-8
	-		10 mm	10 pieces	186133	QSL-G1/4-10
	-	With sealing ring	12 mm	1 piece	186136	QSL-G1/2-12
	-		Connection G1/2	16 mm	1 piece	190665



# Solenoid valves VUVB/valve terminals type 24 VTUB

FESTO


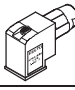
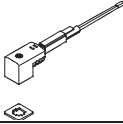
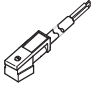
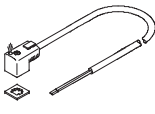
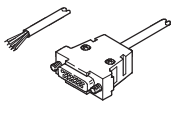
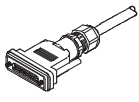

Accessories

Ordering data					
	Code	Description	Packaging unit	Part No.	Type
<b>Blanking plug</b>					
	-	Connection Ø 18 mm	10 pieces	537533	QSPC18
	-	For thread G1/4	10 pieces	3569	B-1/4
	-	For thread G1/2	10 pieces	3571	B-1/2
<b>Adapter</b>					
	-	For thread G1/8	10 pieces	545921	NPFA-A-P18-G18-F
	-	For thread G1/4	10 pieces	545922	NPFA-A-P18-G14-F
<b>Silencer</b>				Technical data → Internet: u	
	-	For thread G1/4	1 piece	165004	UC-1/4
	-	For thread G1/4	1 piece	2316	U-1/4
	-	For thread G1/4	1 piece	6842	U-1/4-B
	-	For thread G1/2	1 piece	6844	U-1/2-B
<b>Inscription label</b>					
	-	Scope of delivery 24 labels in frame		161937	IBS-9x17
	-	Scope of delivery 80 labels in frame		197259	MH-BZ-80X
	-	Scope of delivery 64 labels in frame		18576	IBS-6x10
<b>H-rail mounting kit</b>					
	H	Attachment of the manifold rails to H-rails to EN 60715-TH35	-	1 piece	537514 VAME-B6-T

# Solenoid valves VUVB/valve terminals type 24 VTUB

FESTO

Accessories

Ordering data						
	Code	Description	Voltage [V]	Cable length [m]	Part No.	Type
Plug socket						Technical data → Internet: mssd-eb
	-	With screw terminals, for self-assembly	Up to 250 AC	-	151687	MSSD-EB
	C		Up to 250 AC	-	539712	MSSD-EB-M12
	-	With insulation displacement technology, for self-assembly	Up to 250 AC	-	192745	MSSD-EB-S-M14
Plug socket with cable for individual electrical connection						Technical data → Internet: kmeb
	-	Switching status display with LED Polyvinyl chloride	24 DC	2.5	151688	KMEB-1-24-2,5-LED
			24 DC	5	151689	KMEB-1-24-5-LED
		Polyvinyl chloride	Up to 240 AC	2.5	151690	KMEB-1-230AC-2,5
			Up to 240 AC	5	151691	KMEB-1-230AC-5
	C1	Switching status display with LED Polyurethane	24 DC	2.5	174844	KMEB-2-24-2,5-LED
	C2	Switching status display with LED Polyurethane	24 DC	5	174845	KMEB-2-24-5-LED
	C1	Polyurethane	Up to 230 AC	2.5	174846	KMEB-2-230AC-2,5
	C2		Up to 230 AC	5	174847	KMEB-2-230AC-5
	-	Switching status display with LED Polyvinyl chloride	24 DC	2.5	547268	KMEB-3-24-2,5-LED
			24 DC	5	547269	KMEB-3-24-5-LED
		Polyvinyl chloride	24 DC	2.5	547270	KMEB-3-24-2,5
			24 DC	5	547271	KMEB-3-24-5
Connecting cable for multi-pin plug to IP40						
	-	Sub-D, 25-pin, up to 20 coils Polyvinyl chloride	24 DC	2.5	530046	KMP6-25P-20-2,5
			24 DC	5	530047	KMP6-25P-20-5
			24 DC	10	530048	KMP6-25P-20-10
	-	Sub-D, 25-pin, up to 12 coils Polyvinyl chloride	24 DC	2.5	530049	KMP6-25P-12-2,5
			24 DC	5	530050	KMP6-25P-12-5
			24 DC	10	530051	KMP6-25P-12-10
Connecting cable for multi-pin plug to IP65						
	M1	Sub-D, 25-pin, up to 12 coils Polyvinyl chloride	24 DC	2.5	538222	NEBV-S1G25-K-2,5-N-LE15
	M2		24 DC	5	538223	NEBV-S1G25-K-5-N-LE15
	M3		24 DC	10	538224	NEBV-S1G25-K-10-N-LE15
	M1	Sub-D, 25-pin, up to 24 coils Polyvinyl chloride	24 DC	2.5	538225	NEBV-S1G25-K-2,5-N-LE25
	M2		24 DC	5	538226	NEBV-S1G25-K-5-N-LE25
	M3		24 DC	10	538227	NEBV-S1G25-K-10-N-LE25
Illuminating seal						
	-	For indicating the signal status	12 ... 24 DC	-	151717	MEB-LD-12-24DC
	-		Up to 230 AC	-	151718	MEB-LD-230AC