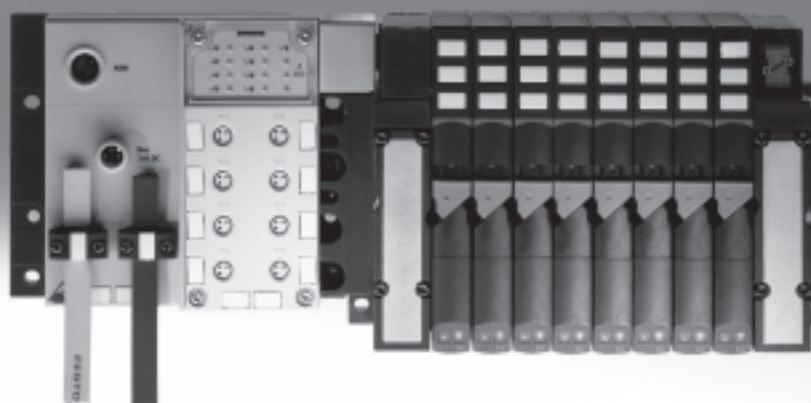


Valve terminal type 12 CPA, Compact Performance

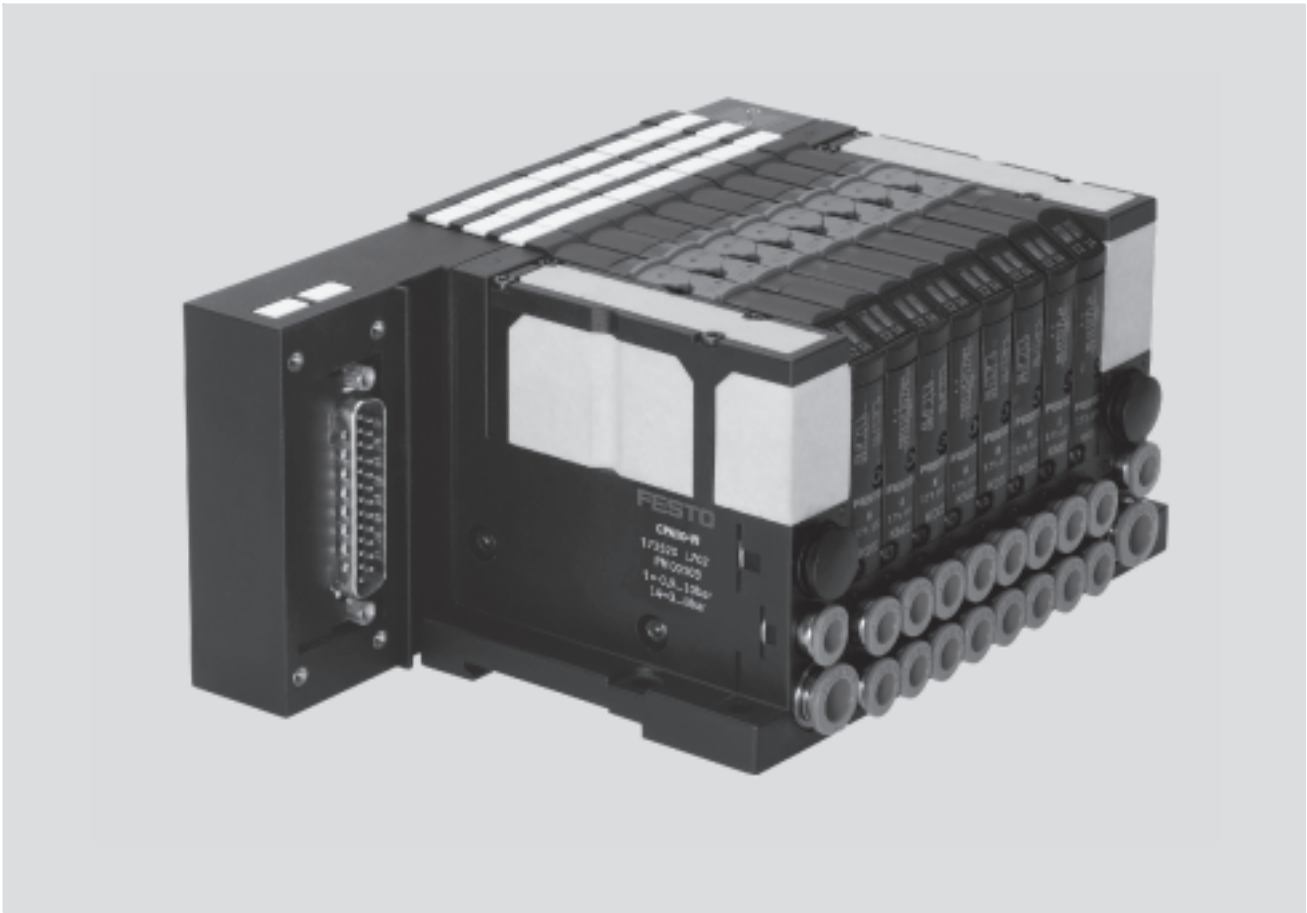
FESTO



Valve terminal type 12 CPA, Compact Performance

FESTO

Key features



Innovative

- Compact valves in sturdy metal housing
- Patented electrical linking system for flexible expansion options
- Standardised system of electrical connection options:
 - Individual connection
 - Multi-pin connection
 - Festo CP bus
 - All common fieldbuses
- Suitable for electrical peripherals CPX. This means:
 - Diagnosis down to the individual valve
 - Parameterisable error characteristics
 - Separate load voltage supply for valves
 - On the spot diagnosis using LEDs or CPX handheld device (MMI)

Flexible

- Modular system offering a range of configuration options
- Expandable up to 44 solenoid coils
- Individual conversions and extensions possible at any time
- Easy switching of valves and valve functions
- High pressure range –0.9 ... 10 bar
- Wide range of valve functions
- Multiple pressure zones

Reliable

- Sturdy metal valve bodies
- Manual override either push-in, detenting or covered
- Fast troubleshooting thanks to LEDs on the valves and diagnosis via fieldbus
- Low power consumption thanks to integrated holding current reduction, 100% duty cycle
- Reliability of service through replaceable valves
- Flexible labelling system thanks to inscription labels

Easy to assemble

- Ready to install unit, already assembled and tested
- Compact dimensions
- Low weight thanks to high plastic content, therefore:
 - Suitable for decentralised machine structures, e.g.
 - in handling technology
 - in conveyor technology
 - in the packaging industry
 - in sorting systems
 - in upstream machine functions
- Lower costs for selection, ordering, assembly and commissioning
- Wall mounting or H-rail mounting

Valve terminal type 12 CPA, Compact Performance

Key features

Equipment options

The CPA valve terminal is available with the following valve functions:

- 2x 3/2-way, single solenoid, normally open
- 2x 3/2-way, single solenoid, normally closed
- 2x 3/2-way, single solenoid, 1x normally open, 1x normally closed
- 5/2-way, single solenoid
- 5/2-way, double solenoid
- 5/3-way, mid-position pressurised
- 5/3-way, mid-position exhausted
- 5/3-way, mid-position closed

Different pressure zones can be created by using valve bases with pressure-zone separation. Space for future expansion can be reserved via a blanking plate. A valve can then be mounted in place of the blanking plate at a later time.

All valves are equipped with manual override.

All utilised valves are pneumatically piloted.

The CPA valve terminal is prepared for operation with internal or external pilot air supply, depending on the end plate mounted on the right.

If supply pressure for the CPA valve terminal is within a range of 3 ... 8 bar, it can be operated with internally distributed pilot air.

Auxiliary pilot air is branched at the right-hand end plate for this purpose. If supply pressure is not within a range of 3 ... 8 bar, the valve has to be operated with external pilot air.

Vacuum/low-pressure operation:

The CPA valve terminal can be operated with vacuum or low pressure of -0.9 ... 3 bar under the following conditions:

- Regulated auxiliary pilot air is supplied separately
- The CPA valve terminals have been equipped with the following valves:
 - 5/2-way valve, single solenoid
 - 5/2-way valve, double solenoid
 - 5/3-way valves

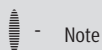
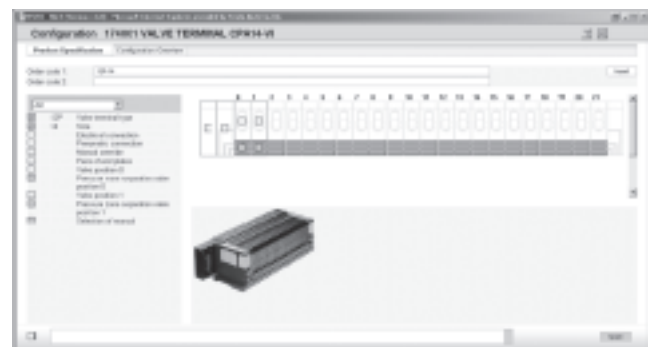
Valve sub-bases with 3/2-way valves are not suitable for operation with vacuum or low pressure.

Valve terminal configurator

Download CAD data → www.festo.com

A valve terminal configurator is available to help you select a suitable valve terminal CPA. This makes it much easier for you to find the right product.

Valve terminals are equipped and assembled according to customer requirements. This results in minimal installation time. They are also fully inspected before shipment.



Note

Ordering

A valve terminal type 12 is ordered via an order code. For valve terminals with fieldbus and CPX connection, the order code consists of a pneumatic and an electrical part.

- 12P-... (pneumatic components)
- 50E-... (CPX terminal)

The pneumatic part suffices for valve terminals with individual connection, multi-pin connection and CP bus.

- 12P-... (pneumatic components)

Further components are ordered via other ordering systems or order codes:

- ECP-... (CP installation system)

Ordering systems

For information about the ordering system for type 12 see

→ Internet: type 12

CP installation system

→ Internet: ctec

CPX terminal

→ Internet: cpx

Product description

The pneumatic part as well as individual and multi-pin connections are described in detail in this chapter, while the electrical functions are described in the chapter

CPX terminal

→ Internet: cpx

CP installation system

→ Internet: ctec

Valve terminal type 12 CPA, Compact Performance

Peripherals overview

Overview – CPA type 12

Electrical components

The valve terminals are available with five different electrical connection types:

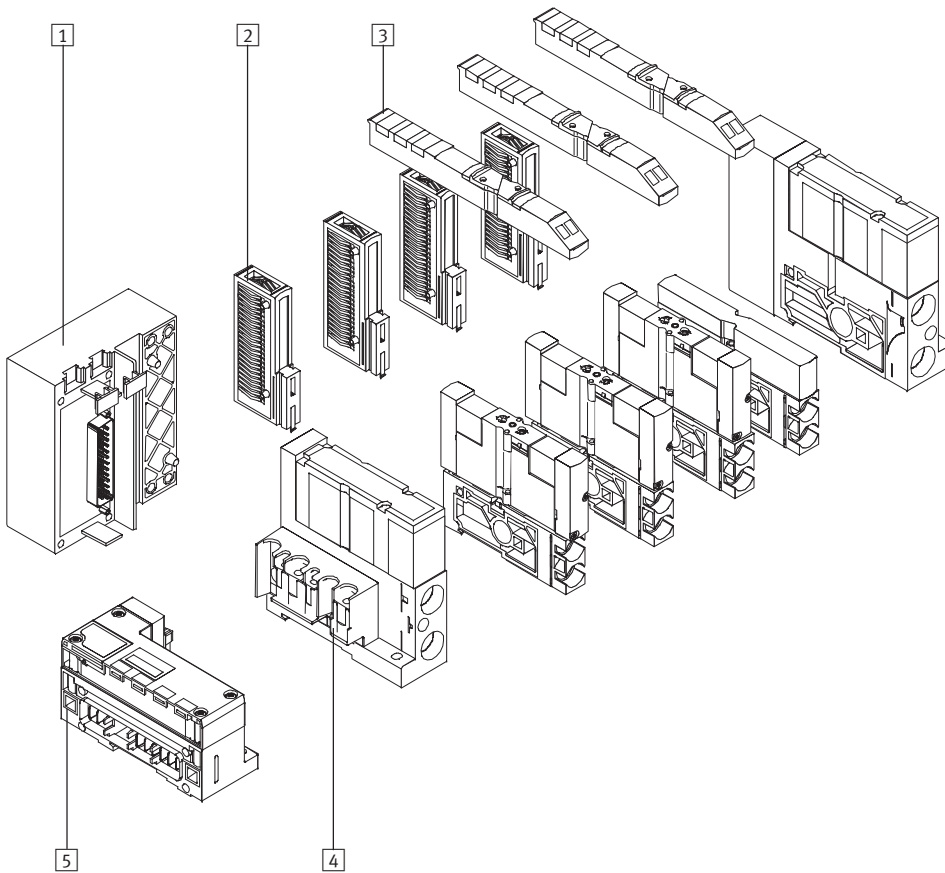
- Individual connection
- Multi-pin connection
- Fieldbus connection
- CPX terminal connection

The electrical connector modules are attached to the left-hand side.

Connections are established between the electrical connector modules and the valves by means of horizontal linkage and bridges.

The electrical bridge incorporates:

- LED for switching status display
- Manual override
- Coil management with current reduction
- Label holder for inscription labels



1 CPA valve terminal for CP system: MP or CP connection block

2 Electrical interlinking block
3 Current bridge with manual override

4 CPX adapter for mounting of the CPX pneumatic interface
5 CPA valve terminals for CPX terminal: CPX pneumatic interface

Valve terminal type 12 CPA, Compact Performance

Peripherals overview

Overview – CPA type 12

Pneumatic components

Modular design consisting of individual sub-bases and valves

- Pneumatic supply ports in the left-hand and right-hand end plate
- Pneumatic working lines in the sub-base

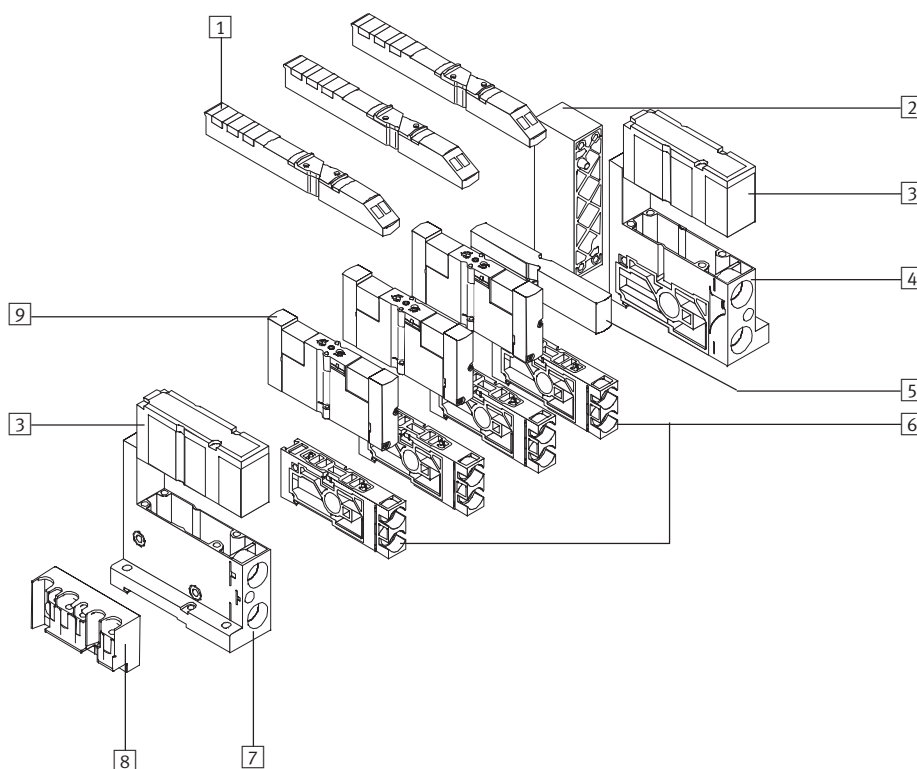
CPA valves are mounted on sub-bases. The valves are supplied and exhausted pneumatically via the sub-base.

- Size 10 mm and 14 mm
- Valves pneumatically piloted
- Piston spool with patented sealing principle

Sub-bases supply the valves with compressed air and auxiliary pilot air and facilitate exhausting.

Types of sub-base:

- Standard
- With the P duct isolated



- | | | |
|---|--|--|
| <p>1 Current bridge with manual override and LEDs</p> <p>2 Terminating block</p> <p>3 End plate cover or large surface mounted silencer</p> <p>4 Right-hand end plate with supply and exhaust ports</p> | <p>5 Additional compressed air supply plate or blanking plate</p> <p>6 Sub-base:
– with working lines
– with/without pressure zone separation
– in combination with supply plate for compressed air supply</p> | <p>7 Left-hand end plate with supply and exhaust ports</p> <p>8 CPX adapter for mounting of the CPX pneumatic interface</p> <p>9 Valve module with single solenoid or double solenoid valves</p> |
|---|--|--|

Valve terminal type 12 CPA, Compact Performance

Peripherals overview

FESTO

Individual connection with plug sockets



Valve terminal with individual connection:
Connection is independent of the control technology used. This ensures correct polarity during installation. The connector plug is equipped with an LED which indicates switching status, and an overvoltage protective circuit.

2 to 44 solenoid coils can be selected with individual connection.

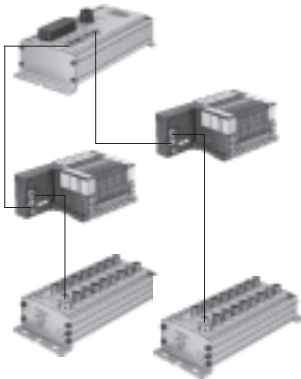
Multi-pin connection



Valve terminal with multi-pin connection:
Control signals from the controller to the valve terminal are transmitted via a pre-assembled multi-core cable, which substantially reduces installation time.

These valve terminals can be fitted with 2 to 22 solenoid coils.

CP installation system



Valve terminal for CP installation system:
Valve terminals with fieldbus connection are intended for connection to fieldbus nodes or control blocks. A fieldbus node or control block allows the connection of decentralised input/output units.

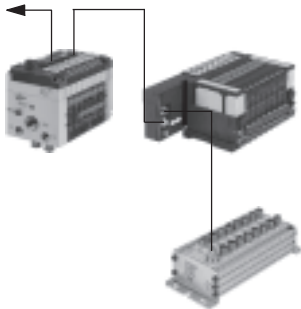
4 strings, each with 16 inputs and 16 outputs, can be connected (2 to 16 solenoid coils per terminal). The connector cables transmit the power supply as well as control signals.

Further information
➔ Internet: ctec

Valve terminal type 12 CPA, Compact Performance

Peripherals overview

CPV Direct



CPV Direct is a system for the compact connection of a CPV valve terminal on the basis of nine different fieldbus standards. The most important fieldbus types including Profibus, Interbus, DeviceNet and CANopen are supported.

The fieldbus node is integrated directly in the electrical interface of the CPV valve terminal and therefore takes up only a minimal amount of space.

The CP string extension option allows the functions and components of the CP installation system to be used. Instead of an output module with 8 digital outputs, a CPA valve terminal

with a maximum of 8 solenoid coils can be used.

The two different CP concepts can thus be used as complementary valve terminal types.

CPX terminal



The electrical terminal CPX is a modular peripheral system for valve terminals. The system is specifically designed so that the valve terminal can be adapted to suit different applications.

- Variable connection options for the valve terminal pneumatic components
- Communication options with the fieldbus interface

- Flexible electrical connection technology for sensors and actuators
- Economical from the smallest configuration level right up to the maximum number of modules

The CPX terminal can also be used without valves as a remote I/O module.

Further information

➔ Internet: cpx

Valve terminal type 12 CPA, Compact Performance

Key features – Pneumatic components

Valve function				
Code	Circuit symbol	Size		Description
		10	14	
M Y	<p>Single solenoid valve, 5/2-way</p>	■	■	<p>Valve slice Y is a single solenoid valve on a double solenoid sub-base.</p> <ul style="list-style-type: none"> • Pneumatic spring return
J	<p>Double solenoid valve, 5/2-way</p>	■	■	
B	<p>5/3-way, mid-position pressurised</p>	■	■	<p>The piston rod of a connected cylinder advances when the valve is in the normal position due to the differential piston areas.</p> <ul style="list-style-type: none"> • Mechanical spring return
G	<p>5/3-way, mid-position closed</p>	■	■	<p>The piston rod side of a cylinder remains held under pressure in the normal valve position.</p> <ul style="list-style-type: none"> • Mechanical spring return
E	<p>5/3-way, mid-position exhausted</p>	■	■	<p>In the normal valve position, the piston rod can be moved freely.</p> <ul style="list-style-type: none"> • Spring force return
N	<p>2x 3/2-way, normally open</p>	■	■	<ul style="list-style-type: none"> • Pneumatic spring return

-  - Note

For vacuum operation valves require a filter. This is to avoid that foreign matter is drawn into the valve (e.g. when using a suction cup).

Valve terminal type 12 CPA, Compact Performance

Key features – Pneumatic components

Valve function				
Code	Circuit symbol	Size		Description
		10	14	
K	<p>2x 3/2-way, normally closed</p>	■	■	<ul style="list-style-type: none"> • Pneumatic spring return
H	<p>2x 3/2-way, 1x normally open (piloting 12), 1x normally closed (piloting 14)</p>	■	■	<p>For optimised cylinder movement. Corresponds to valve function M with simultaneous actuation of both solenoid coils (5/2-way, single solenoid). Since the piston area on each side can be pressurised or exhausted separately, the cylinder can move faster.</p> <ul style="list-style-type: none"> • Pneumatic spring return

Valve terminal type 12 CPA, Compact Performance

Key features – Pneumatic components

Compressed air supply and venting

The valve terminals are supplied with air via the left-hand and right-hand end plate. CPA valves used are pneumatically piloted and the pilot air supply is branched from the main supply (internal) or fed via a separate connection (i.e. external).

Internal pilot air supply

This can be selected when the supply

pressure of the main supply (at port 1) is 3 ... 8 bar. With internal pilot air supply, the branch line is located in the right-hand end plate. There is no port 12/14.

External pilot air supply

External pilot air supply is required when the supply pressure of the main air (at port 1) is ≤ 3 bar or ≥ 8 bar.

In this case, pressure of 3 ... 8 bar is applied at port 12/14.

Slow pressure rise

If a gradual pressure rise by means of a soft-start valve is required for the equipment, external auxiliary pilot air should be selected, which is also fully available during the switch-on operation (see also Instructions for


use → 23).

In addition to air supply, the type of exhaust is also determined by the end plates. Exhaust air is generally discharged into the atmosphere via large surface mounted silencers.

If required, exhaust air can be drawn off via tubing lines. In this case, the end plates are fitted with covers.

End plate	
Right-hand end plate	Description
<p>Internal pilot air supply</p>	<p>Port 12/14 in right-hand end plate is not identified and sealed with a blanking plug. The pilot air supply is branched internally from port 1. Pressure zone separation is permitted. Unused ports must be sealed.</p>
<p>External pilot air supply</p>	<p>Port 12/14 in right-hand end plate for connecting the pilot air supply is identified. Pressure zone separation is permitted. Unused ports must be sealed.</p>

Air supply and exhaust options	
Code	Air supply
U	Internal pilot air supply, ducted exhaust air
V	External pilot air supply, ducted exhaust air
W	Inter pilot air supply, integrated silencer
X	External pilot air supply, integrated silencer

-  - Note

CPA valve terminals are not designed for mixed operation with internal or external pilot air. The sub-base for pressure zone separation does not separate the auxiliary pilot air duct.

Valve terminal type 12 CPA, Compact Performance

Key features – Pneumatic components

Creating pressure zones

CPA valve terminal with two pressure zones

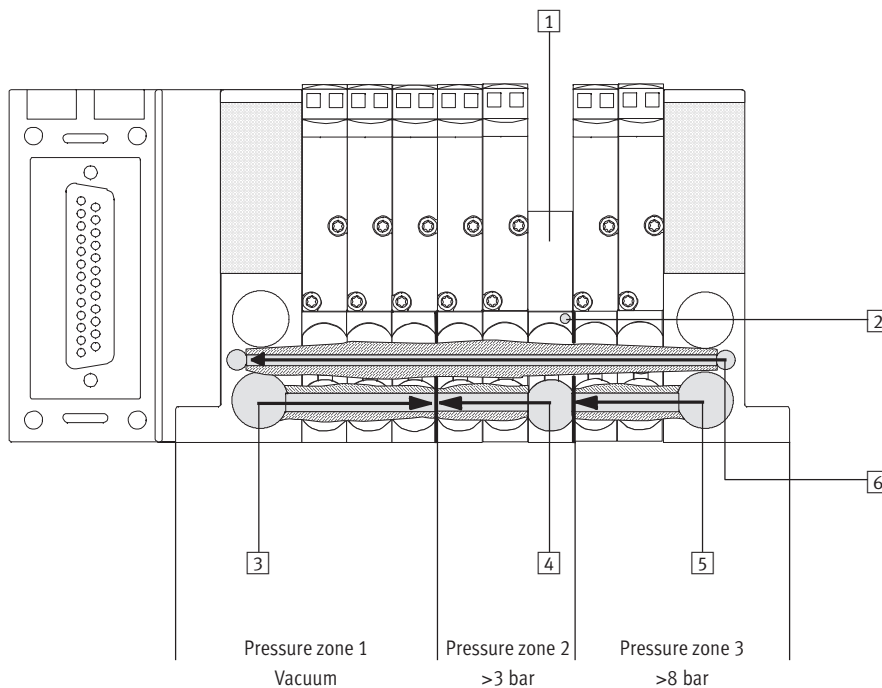
These CPA valve terminals have a sub-base with pressure zone separation. The left pressure zone is supplied with compressed air via port 1 on the left-hand end plate, while the right pressure zone is supplied with compressed air via port 1 on the right-hand end plate.

CPA valve terminal with more than two pressure zones

A sub-base with pressure zone separation is required for each pressure zone. The external pressure zones are supplied with compressed air via port 1 on the end plates, while

the other pressure zones are supplied with compressed air via port 2 of the sub-bases, which are equipped with additional compressed air supply plates (see fig.). To remove the ex-

haust air, a silencer can be installed in port 4 of these sub-bases. If port 4 is not used, it must be sealed with a blanking plug.



- 1 Additional compressed air supply plate
- 2 Identification of sub-bases with pressure zone separation (grey areas)
- 3 Pressure zone 1 (compressed air supply via port 1 of the left-hand end plate)
- 4 Pressure zone 2 (compressed air supply via port 2 of the sub-base with additional compressed air supply plate)
- 5 Pressure zone 3 (compressed air supply via port 1 of the right-hand end plate)
- 6 Supply for pilot air supply

Number of pressure zones

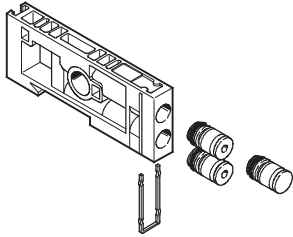
The CPA valve terminal can be equipped with the following number of pressure zones depending on the connection options:

Electrical connection option	IC, MP or CPX	CP connection
Pressure zones	1 ... 12	1 ... 9

Valve terminal type 12 CPA, Compact Performance

Key features – Pneumatic components

Pneumatic connection



The connection technology of the CPA valve terminal is flexible and offers a wide range of connection options. Screw inserts (clip-type fittings) allow integrated push-in fittings for different tubing diameters to be used.

The following connections for the sub-bases can be selected by means of code letters. The selected code letter is valid for the entire valve terminal. The end plates are fitted with the

corresponding connectors. If “QS push-in connectors” are selected for the working lines, the end plates are also fitted with QS push-in connectors.

Push-in connectors for working lines							
		CPA10			CPA14		
			Code/ Part No.	Description		Code/ Part No.	Description
2/4	Working line	QS6	A	large	QS8	A	large
		QS4	B	small	QS6	B	small
		–	E	without QS connectors (without cartridges) ¹⁾	–	E	without QS connectors (without cartridges) ¹⁾
		QS ³ / ₁₆ "	F	large, imperial	QS ⁵ / ₁₆ "	F	large, imperial
		QS ⁵ / ₃₂ "	G	small, imperial	QS ¹ / ₄ "	G	small, imperial
12/14	Pilot air supply	QS6	–	–	QS6	–	–
82/84	Pilot exhaust air	QS6	–	–	QS6	–	–
1	Main air	QS8	–	–	QS10	–	–
3/5	Exhaust air (ducted)						
Plug-in silencer for additional pressure supply		UC-QS-6H	165007	–	UC-QS-8H	175611	–

1) If you order working ports without QS connectors (without cartridges), you can use the spare-parts list supplied with the valve terminal to find the part number of the desired cartridges (not available as accessories).

Valve terminal type 12 CPA, Compact Performance

Key features – Assembly

Assembly

Sturdy terminal assembly thanks to:

- Four through-holes for wall mounting
- Integrated attachment for H-rail mounting

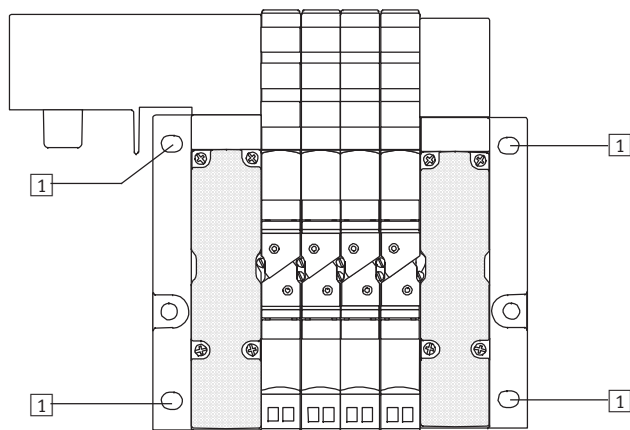
Wall mounting:

- The CPA valve terminal is screwed onto the mounting surface using four M4 screws.

H-rail mounting:

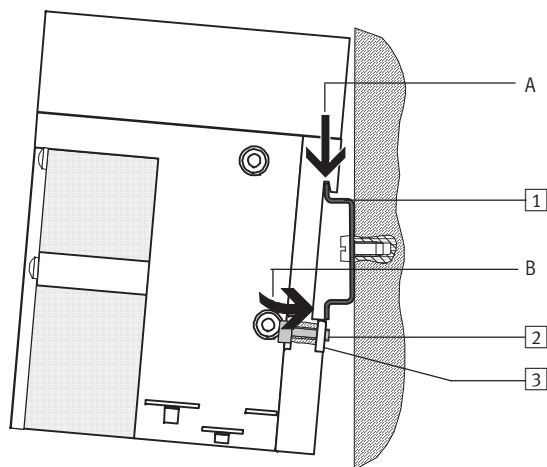
- For H-rail mounting of the CPA valve terminal, you will need the mounting kit CPX-CPA-BG-NRH.

Wall mounting



1 4 holes for wall mounting

H-rail mounting



The CPA valve terminal is attached to the H-rail (see arrow A). The terminal is then rotated on the H-rail and secured in place with the clamping component (see arrow B).

1 H-rail to EN 60715

2 Self-tapping M4x10 screw of the H-rail clamping unit

3 Clamping component of the H-rail clamping unit

Valve terminal type 12 CPA, Compact Performance

Key features – Display and operation

Display and operation

The CPA valve terminal contains the following pneumatic connection and control elements:

LED

- LEDs for displaying the switching status
- Readable from the “top” as well as from the “front”
- Indicator “12” shows the switching status of the pilot control for output 2
- Indicator “14” shows the switching status of the pilot control for output 4

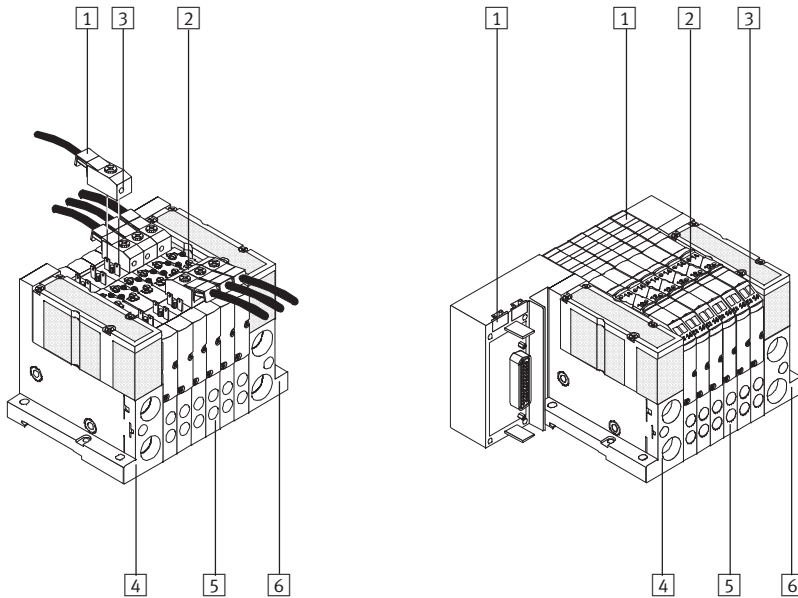
Manual override

- Push-in
- Detenting
- Covered (not with individual connection)
- Retrofit/conversion from push-in to detenting

Inscription labels

- Clip with inscription field on cable socket (with individual connection)
- Inscription clips on connection node (MP, CP or CPX terminal)
- Inscription clips on the valve sub-bases (not with individual connection)

Position of display and control elements



- 1 Inscription clips
- 2 Manual override
- 3 Yellow LED, signal status display of pilot solenoid coils

- 4 Supply ports (1) and exhaust port (3/5, 82/84) on left-hand end plate
- 5 Working lines (2, 4), per valve sub-base

- 6 Supply ports (1, 12/14) and exhaust port (3/5) on right-hand end plate

Valve terminal type 12 CPA, Compact Performance

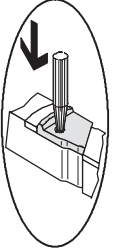
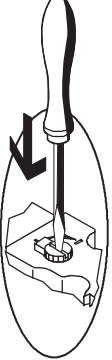
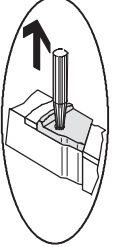
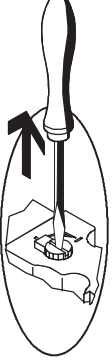
Key features – Display and operation

Manual override (MO)

The manual override MO is used during commissioning to check that the pneumatic equipment is operating. In the design with individual connection IC, the manual override can be either push-in or detenting.

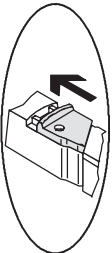
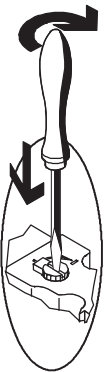
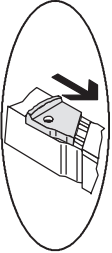
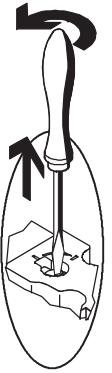
In the electrical manifold module variant, the manual override is either push-in or detenting via a slide. Accidental activation of the slide can be avoided with the aid of a clip.

The manual override can also be covered. Accidental activation can be avoided by covering the manual override.

Manual override, push-in			
CPA valve terminal with MP, CP connection or CPX terminal	CPA valve terminal with IC connection	Operation	Valve response
		<p>Press in the stem of the MO until the valve switches.</p> <p>Note regarding CPA valve terminals with IC connection: Do not turn the stem once it has been pressed in, otherwise the MO will engage.</p>	<p>The valve:</p> <ul style="list-style-type: none"> • moves to the switching position
		Keep the stem of the MO pressed.	<ul style="list-style-type: none"> • remains in the switching position
		Release the stem. The spring returns the stem of the MO to the initial position.	<ul style="list-style-type: none"> • returns to the initial position (not in the case of double solenoid valve Code J)

Valve terminal type 12 CPA, Compact Performance

Key features – Display and operation

Manual override, detenting			
CPA valve terminal with MP, CP connection or CPX terminal	CPA valve terminal with IC connection	Operation	Valve response
		<p>CPA valve terminal with MP, CP connection or CPX terminal: Move the slide of the MO outwards until the stop is reached.</p> <p>CPA valve terminals with IC connection: Press in the stem of the MO until the valve switches, then turn the stem clockwise until the stop is reached.</p>	<p>The valve:</p> <ul style="list-style-type: none"> • moves to the switching position
		Leave the slide or stem in position.	<ul style="list-style-type: none"> • remains in the switching position
		<p>CPA valve terminal with MP, CP connection or CPX terminal: Move the slide of the MO inwards until the stop is reached.</p> <p>CPA valve terminals with IC connection: Turn the stem anti-clockwise until the stop is reached, then release the stem.</p>	<ul style="list-style-type: none"> • returns to the initial position (not in the case of double solenoid valve Code J)

Valve terminal type 12 CPA, Compact Performance

Key features – Electrical components

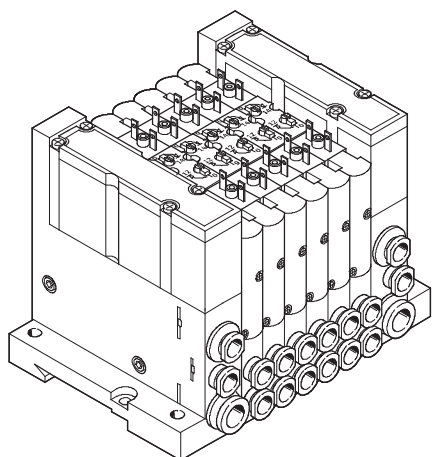
Electrical connection

The CPA valve terminal can be actuated using multiple electrical connectors. If individual connecting cables are used for each solenoid coil, the socket is screwed directly onto the solenoid. If individual connecting cables are used for each solenoid coil, the socket is screwed directly onto the solenoid. For all other connection types, an electrical manifold module for the solenoid coils is used, which results in a common connection.

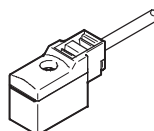
This common connection is available for the electrical multi-pin cable or CP installation system. In addition, CPA can be combined with the CPX terminal, with which there is a wide selection of fieldbus connections and electrical peripheral modules available.

An individual connection (max. 44 solenoid coils in 22 valve positions) has a built-in current reducing circuit in the plug of the connecting cable. In the case of connection types with an electrical manifold module, the current reduction function is integrated in the bridge module, which links the solenoid coils with the electrical manifold module.

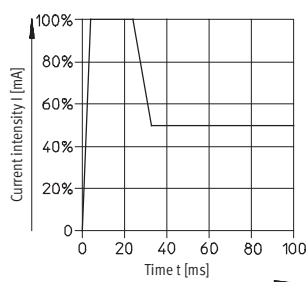
Valve terminal with individual connection



Connection socket KMYZ-7-...



Electrical power as a result of current reduction



Valve terminal type 12 CPA, Compact Performance

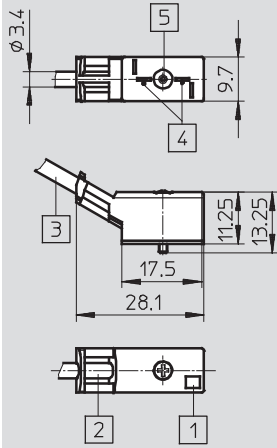
FESTO

Key features – Electrical components

Dimensions – Plug socket with cable for individual connection

Download CAD data → www.festo.com

Type KMYZ-7-24-...



- 1 LED illuminated area
- 2 Location for inscription label
- 3 2-core cable, 2.5 m, 5 m or 10 m (2x 0.25 mm²)
- 4 Connection pattern for MZC
- 5 Type of mounting:
self-tapping screw, captive;
max. tightening torque
0.25 Nm

Ordering data

Code	Designation	Part No.	Type
D	Plug socket with cable, with integrated current reduction, 24 V DC, LED, PUR cable suitable for chain link trunking	2.5 m	193683 KMYZ-7-24-2,5-LED-PUR
E		5 m	194685 KMYZ-7-24-5-LED-PUR
F		10 m	196070 KMYZ-7-24-10-LED-PUR
Accessories to be ordered separately (not in order code)			
Inscription labels 6x10 in frames		18576	IBS 6x10
User documentation – CPA Pneumatics			
German		173514	P.BE-CPA-DE
English		173515	P.BE-CPA-EN
Spanish		173516	P.BE-CPA-ES
French		173517	P.BE-CPA-FR
Italian		173518	P.BE-CPA-IT
Swedish		173519	P.BE-CPA-SV

Valve terminal type 12 CPA, Compact Performance

Key features – Electrical components

Multi-pin connection

In addition to pneumatic integration, multi-pin connection results in integration of the electrical side as well, and facilitates connection to the

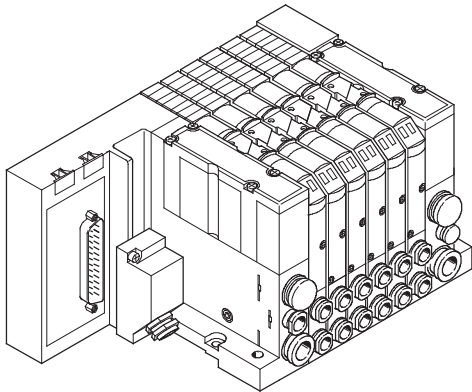
control cabinet and the valve terminal via a single cable. Sub-D 25-pin plugs are used for connection. For simple connection, pre-assembled

cables with IP65 protection can be supplied. Standard lengths of 5 m and 10 m are available.

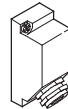
Possible number of valves:

- max. 22 valves
- max. 22 solenoid coils

Multi-pin connection



25-pin Sub-D multi-pin socket



Ordering data			
Code	Designation	Part No.	Type
Y	Plug socket Sub-D, 25-pin, IP65	18709	SD-SUB-D-BU25
R	Connecting cable Sub-D, 25-pin	5 m	177413 KEA-1-25P-5
S		10 m	177414 KEA-1-25P-10
H	Attachment for H-rail mounting	526032	CPX-CPA-BG-NRH
B	Express waiver - no user documentation to be included (already available)		
Accessories to be ordered separately (not in order code)			
	Inscription labels 6x10 in frames	18576	IBS 6x10
	Connecting cable, for chain link trunking, with 25-pin Sub-D plug	5 m, PVC	193016 KMP4-25P-5-PVC
		5 m, PUR	193018 KMP4-25P-5-PUR
		10 m, PVC	193017 KMP4-25P-10-PVC
		10 m, PUR	193019 KMP4-25P-10-PUR

Valve terminal type 12 CPA, Compact Performance

Key features – Electrical components

Connecting cable for multi-pin

Type KEA-1-25P-...
KMP4-...

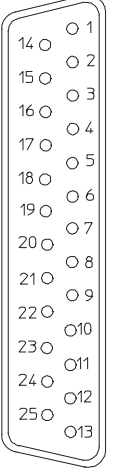
Cable with 25-pin Sub-D plug for valve terminal with multi-pin connection (24-core, 0.25 mm²)

The electrical manifold module is available for single solenoid (1 contact: 14) and double solenoid (2 contacts: 14/12) valves, whereby a single solenoid valve can occupy a


double solenoid valve position (but not the other way around). In this case an output signal is lost, which must be taken into account during programming.

The same applies to a spare position or compressed air supply.

The number of valves that can be activated may be reduced as a result.

Pin allocation			
Wiring allocation (socket view)	Pin	Core colour	Valve 24 V DC
	1	White	Coil 0
	2	Green	Coil 1
	3	Yellow	Coil 2
	4	Grey	Coil 3
	5	Pink	Coil 4
	6	Blue	Coil 5
	7	Red	Coil 6
	8	Purple	Coil 7
	9	Grey-pink	Coil 8
	10	Red-blue	Coil 9
	11	White-green	Coil 10
	12	Brown-green	Coil 11
	13	White-yellow	Coil 12
	14	Yellow-brown	Coil 13
	15	White-grey	Coil 14
	16	Grey-brown	Coil 15
	17	White-pink	Coil 16
	18	Pink-brown	Coil 17
	19	White-blue	Coil 18
	20	Brown-blue	Coil 19
	21	White-red	Coil 20
	22	Brown-red	Coil 21
	23	White-black	0 V DC ¹⁾
	24	Brown	0 V DC ¹⁾
	25	Black	0 V DC ¹⁾

1) 0 V for positive switching control signals; connect 24 V for negative switching control signals; mixed operation is not permitted.

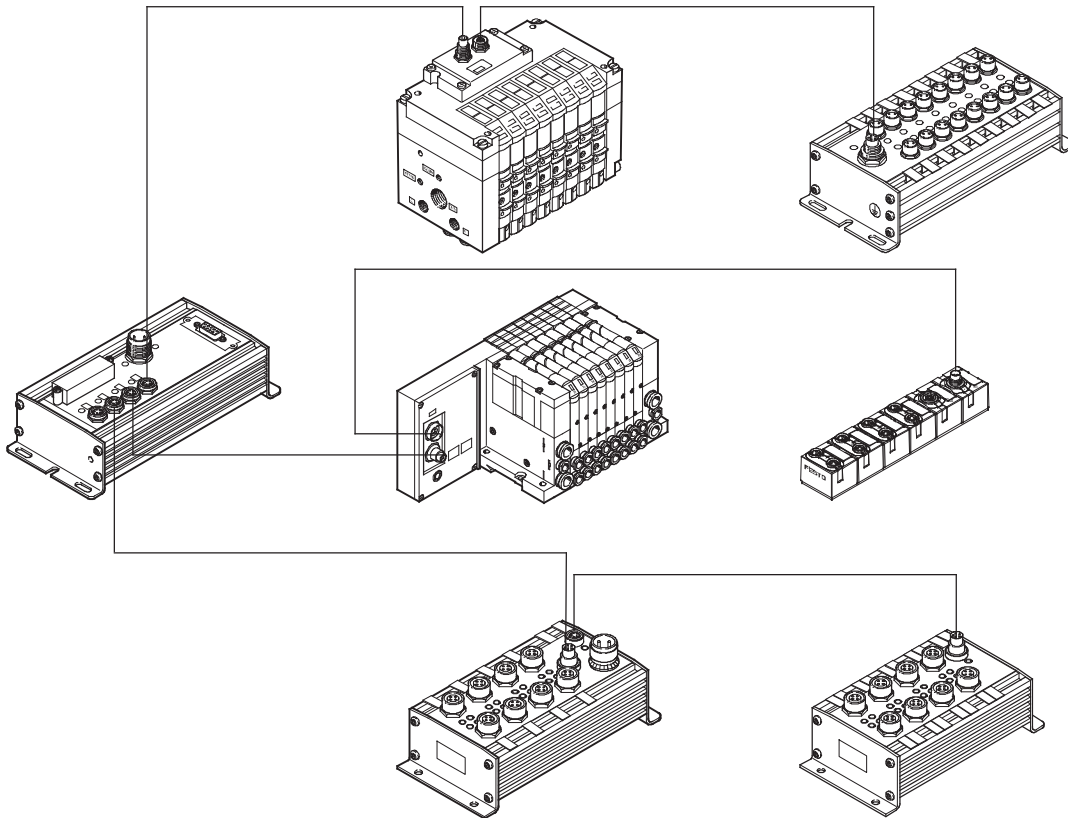
 Note
The drawing shows the view onto the Sub-D socket at the multi-pin cable KEA-1-25P-....

Valve terminal type 12 CPA, Compact Performance

Key features – Electrical components

FESTO

CP system connection



The CP installation system is capable of meeting two completely different requirements and resolves the conflict between extensive decentralised modularisation and electrical installation.

High-speed machines require short pneumatic tubing and valves that are mounted close to the cylinders. The CP installation system was developed to meet these requirements without having to wire each valve individually.

→ Internet: ctec

The system integrates the manifold integrated valve terminals CPV, the sub-base valve terminal CPA and various input/output modules in a single installation concept.

All CP valve terminals and CP modules are connected using a ready to install CP cable, and are attached to the CP fieldbus node. One CP valve terminal and one CP input module make up an

installation string that ends at the CP fieldbus node. The installation system supports a maximum of 4 installation strings, which can be connected to the fieldbus node.

Each string can be extended up to a maximum length of 10 metres.

The CP fieldbus node is the central connection point for the fieldbus and

for the valve actuation and sensor power supply. It is here that the relevant bus parameters are set by means of switches and the standard fieldbus connector is attached. The power supply for the sensors connected to the input modules is separate from the load voltage of the valves.

Valve terminal type 12 CPA, Compact Performance

Key features – Electrical components

Connection to the modular electrical peripherals CPX



- CPX electrical peripherals with selectable connection technology
- IP65 and IP20 protection in various electrical connection options
- Mounting directly on the machine or installation in the control cabinet
- Up to 10 electrical modules plus pneumatics

- Electrical modules with 8 digital inputs
- 4 digital inputs
- 4 digital outputs
- 8 digital inputs/outputs
- 2 analogue inputs
- 2 analogue outputs
- Diagnostic functions; module or channel oriented

- Central diagnosis using a fieldbus and local diagnosis using a handheld device; the information is shown in plain text or via the LED display on the module
- Profibus-DP
- Interbus
- DeviceNet
- CANopen
- CC-Link
- Ethernet/IP
- Profinet
- EtherCAT

Selectable connection technology and more for CPX

A flexible solution

- Selectable connection technology
- Parameterisable switching characteristics

- Parameterisable diagnosis
- Flexible power supply

- Interchangeable connection technology
- Interchangeable electronics modules

- Separate power supply for:
 - Electronics and inputs
 - Electrical outputs
 - CPA valves

M8

Compact for pre-assembled individual connection



M12-5POL

Pre-assembled and sturdy with 2 signals per socket



M12-8POL

Connection to cylinder/valve combinations with max. 3 inputs and 2 outputs



Clamps (CageClamp®)

Fast connection technology for use in control cabinets



Sub-D

Multi-pin connection for I/O distributor or console



Harax

Sturdy, fast connection technology for individual connections



→ Internet: cpx

Valve terminal type 12 CPA, Compact Performance

Instructions for use

Pneumatic equipment

Operate your equipment with unlubricated compressed air if possible. Festo valves and cylinders are designed for operation under normal use without any additional lubrication, yet still have a long service life. The quality of compressed air downstream from the compressor must correspond to that of unlubricated compressed air. If possible, do not operate all of your equipment with lubricated compressed air. The lubricators should, where possible, always be installed directly upstream of the actuator used.

Incorrect additional oil and too high an oil content in the compressed air reduce the service life of the valve terminal.

Use Festo special oil OFSW-32 or the alternatives listed in the Festo catalogue (as specified in DIN 51524 HLP32; basic oil viscosity 32 CST at 40 °C).

Bio-oils

When using bio-oils (oils which are based upon synthetic or native ester, e.g. rapeseed oil methyl ester), the maximum residual oil content of 0.1 mg/m³ must not be exceeded (see ISO 8573-1 Class 2).

Mineral oils

When using mineral oils (e.g. HLP oils to DIN 51524, parts 1 through 3) or similar oils based on poly-alpha-olefins (PAO), the maximum residual oil content of 5 mg/m³ must not be exceeded (see ISO 8573-1 Class 4). A higher residual oil content irrespective of the compressor oil cannot be permitted, as the basic lubricant would be washed away over time.

External pilot air

If supply pressure for your CPA valve terminal is not in the range 3 ... 8 bar, you must operate it with external pilot air.

The pilot air is supplied via port 12/14 in this case.



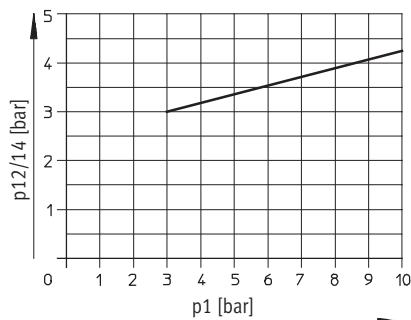
Note

If your CPA valve terminal is equipped with valve sub-bases (3/2-way valves), the external pilot

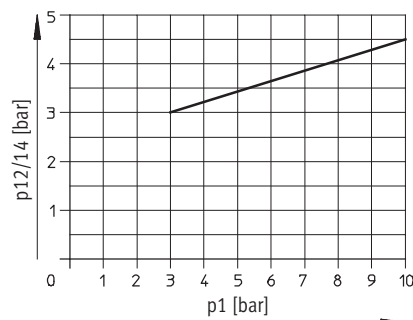
air must be set according to the supply pressure with which these valves are operated (see graphs).

Switch-on pilot pressure

CPA10






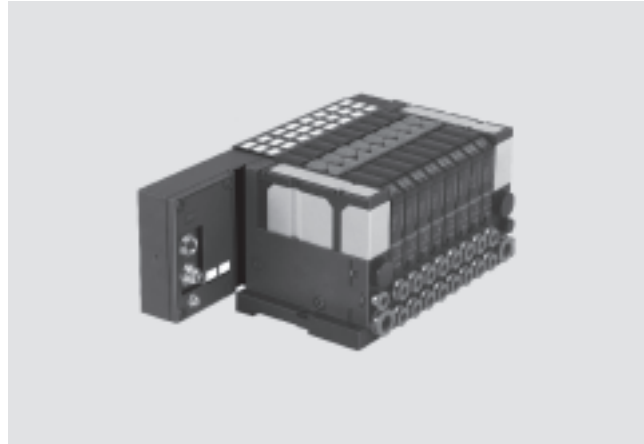
CPA14



Valve terminal type 12 CPA, Compact Performance

Technical data – CPA10

-  Flow rates of up to
CPA10: 300 l/min
CPA14: 600 l/min
-  Valve width
CPA10: 10 mm
CPA14: 14 mm
-  Voltage
24 V DC



General technical data – CPA10									
Valve function	5/2-way valve		2x3/2-way valve			5/3-way valve			
	single solenoid	double solenoid	normally open	normally closed	1x normally open, 1x normally closed	mid-position pressurised	mid-position exhausted	mid-position closed	
Code	M, Y	J	N	K	H	B	E	G	
Constructional design	Electromagnetically pilot actuated piston spool valve								
Width	10 mm								
Nominal size	3.6 mm								
Lubrication	Lubrication for life, PWIS-free								
Type of mounting	Via foot mounting								
	On H-rail in accordance with EN 60715								
Mounting position	Any								
Manual override	Push-in or detenting								
Pneumatic connection									
Pneumatic connection	Via end plates								
Pneumatic connection 1	6 and 8 mm								
Pilot air port 12/14	4 and 6 mm								
Pneumatic connection 2/4	4 and 6 mm								
Main exhaust air port 3/5	6 and 8 mm								
Pilot exhaust air port 82/84	4 and 6 mm								
Nominal flow rate (without fittings)	[l/min]	280	280	220	220	220	220 130 ¹⁾	200 130 ¹⁾	330

1) Mid-position

Operating pressure [bar]								
Valve function - ordering code	M, Y	J	N	K	H	B	E	G
Operating pressure $P_1/P_{12} = P_{14}$	-0.9 ... +10		3 ... 10			-0.9 ... +10		
Operating pressure for valve terminal with internal pilot air supply	3 ... 8							
Pilot pressure $P_{12} = P_{14}$	3 ... 8 see graph → 23							

Valve terminal type 12 CPA, Compact Performance

Technical data – CPA10

Valve response times [ms]									
Code		M, Y	J	N	K	H	B	E	G
Response times	on	11	–	8	8	8	13	13	13
	off	18	–	18	18	18	17	20	17
	reverse	–	7	–	–	–	–	–	–

Ambient conditions	
Operating medium	Filtered compressed air, lubricated or unlubricated, inert gases → 23
Grade of filtration [µm]	40 average pore size
Ambient temperature [°C]	–5 ... +50
Temperature of medium [°C]	–5 ... +50
Corrosion resistance class CRC ¹⁾	2

- 1) CRC2: Corrosion resistance class to Festo standard 940 070
Components with medium corrosion exposure. Externally visible components with significant decorative function in direct contact with normal industrial atmosphere or media such as coolants and lubricants.

Electrical data	
Electromagnetic compatibility of CP valve terminal with CP connection	Interference emission tested to EN 61000-6-4, industry Interference immunity ¹⁾ tested to EN 61000-6-2, industry
Protection against electric shock (protection against direct and indirect contact to EN 60204-1/IEC 204)	By means of PELV power supply unit
CE certification	In accordance with EU Directive 89/336/EU (not IC connection)
Operating voltage [V]	24 DC (+10/–15%)
Edge steepness (IC and MP only) [V/ms]	> 0.4 minimal voltage rise time to reach the high-current phase
Residual ripple [Vss]	4
Electrical power consumption [W]	0.4 (high-current phase approx. 30 ms)
Duty cycle	100%
Protection class to EN 60529	IP65 (for all types of signal transmission in assembled state)
Relative air humidity	90% non-condensing
Vibration resistance	To DIN/IEC 68/EN 60068, Parts 2-6 <ul style="list-style-type: none"> Up to 5 valve blocks (without additional mounting): 0.35 mm at 10 ... 60 Hz, 5 g at 60 ... 150 Hz Up to 6 valve blocks (with additional mounting): 0.35 mm at 10 ... 60 Hz, 5 g at 60 ... 150 Hz 6 valve blocks or more (without additional mounting): 0.15 mm at 10 ... 58 Hz, 2 g at 58 ... 150 Hz
Shock resistance	To DIN/IEC 68/EN 60068, Parts 2-27 <ul style="list-style-type: none"> Up to 5 valve blocks (without additional mounting): +/-30 g at 11 ms, 15 cycles Up to 6 valve blocks (with additional mounting): +/-30 g at 11 ms, 15 cycles 6 valve blocks or more (without additional mounting): +/-15 g at 11 ms, 15 cycles
Continuous shock resistance	To DIN/IEC 68/EN 60068, Parts 2-29: +/-15 g at 6 ms, 1000 cycles

- 1) The maximum signal line length is 10 m

Materials	
Electrical part (MP, FB)	Polyamide
Valve slices	Die-cast aluminium, polyphenylene sulphide, steel, aluminium
Integrated silencer	Polyamide
Seal	Nitrile rubber

Weights [g]		
	MP, CP connection or CPX terminal	IC connection
Basic weight	280	210
Per valve position	120	100

Valve terminal type 12 CPA, Compact Performance

Technical data – CPA14

General technical data – CPA14								
Valve function	5/2-way valve		2x3/2-way valve			5/3-way valve		
	single solenoid	double solenoid	normally open	normally closed	1x normally open, 1x normally closed	mid-position pressurised	mid-position exhausted	mid-position closed
Code	M, Y	J	N	K	H	B	E	G
Constructional design	Electromagnetically pilot actuated piston spool valve							
Width	14 mm							
Nominal size	5 mm							
Lubrication	Lubrication for life, PWIS-free							
Type of mounting	Via foot mounting							
	On H-rail in accordance with EN 60715							
Mounting position	Any							
Manual override	Push-in or detenting							
Pneumatic connection								
Pneumatic connection	Via end plates							
Pneumatic connection 1	8 and 10 mm							
Pilot air port 12/14	4 and 6 mm							
Pneumatic connection 2/4	6 and 8 mm							
Main exhaust air port 3/5	8 and 10 mm							
Pilot exhaust air port 82/84	4 and 6 mm							
Nominal flow rate (without fittings) [l/min]	600	600	550	550	550	550 400 ¹⁾	550 400 ¹⁾	550

1) Mid-position

Operating pressure [bar]								
Valve function - ordering code	M, Y	J	N	K	H	B	E	G
With pilot air supply $P_1/P_{12} = P_{14}$	-0.9 ... +10		3 ... 10			-0.9 ... +10		
Operating pressure for valve terminal- with internal pilot air supply	3 ... 8							
Pilot pressure $P_{12} = P_{14}$	3 ... 8 see graph → 23							

Valve response times [ms]									
Code	M, Y	J	N	K	H	B	E	G	
Response times	on	17	–	9	9	9	13	13	13
	off	29	–	28	28	28	39	39	30
	reverse	–	10	–	–	–	–	–	–

Valve terminal type 12 CPA, Compact Performance

Technical data – CPA14

Ambient conditions		
Operating medium	Filtered compressed air, lubricated or unlubricated, inert gases → 23	
Grade of filtration	[µm]	40 average pore size
Ambient temperature	[°C]	-5 ... +50
Temperature of medium	[°C]	-5 ... +50
Corrosion resistance class CRC ¹⁾	2	

- 1) Corrosion resistance class 2 according to Festo standard 940 070
 Components requiring moderate corrosion resistance. Externally visible parts with primarily decorative surface requirements which are in direct contact with a surrounding industrial atmosphere or media such as cooling or lubricating agents.

Electrical data		
Electromagnetic compatibility of CP valve terminal with CP connection	Interference emission tested to EN 61000-6-4, industry	
	Interference immunity ¹⁾ tested to EN 61000-6-2, industry	
Protection against electric shock (protection against direct and indirect contact to EN 60204-1/IEC 204)	By means of PELV power supply unit	
CE certification	In accordance with EU Directive 89/336/EU (not IC connection)	
Operating voltage	[V]	24 DC (+10/-15%)
Edge steepness (IC and MP only)	[V/ms]	> 0.4 voltage increase time to reach the high-current phase
Residual ripple	[Vss]	4
Electrical power consumption	[W]	0.65 (high-current phase approx. 30 ms)
Duty cycle	100%	
Protection class to EN 60529	IP65 (for all types of signal transmission in assembled state)	
Relative air humidity	90% non-condensing	
Vibration resistance	To DIN/IEC 68/EN 60068, Parts 2-6 <ul style="list-style-type: none"> Up to 5 valve blocks (without additional mounting): 0.35 mm at 10 ... 60 Hz, 5 g at 60 ... 150 Hz Up to 6 valve blocks (with additional mounting): 0.35 mm at 10 ... 60 Hz, 5 g at 60 ... 150 Hz 6 valve blocks or more (without additional mounting): 0.15 mm at 10 ... 58 Hz, 2 g at 58 ... 150 Hz 	
Shock resistance	To DIN/IEC 68/EN 60068, Parts 2-27 <ul style="list-style-type: none"> Up to 5 valve blocks (without additional mounting): +/-30 g at 11 ms, 15 cycles Up to 6 valve blocks (with additional mounting): +/-30 g at 11 ms, 15 cycles 6 valve blocks or more (without additional mounting): +/-15 g at 11 ms, 15 cycles 	
Continuous shock resistance	To DIN/IEC 68/EN 60068, Parts 2-29: +/-15 g at 6 ms, 1000 cycles	

- 1) The maximum signal line length is 10 m

Materials	
Electrical part (MP, FB)	Polyamide
Valve slices	Die-cast aluminium, polyphenylene sulphide, steel, aluminium
Integrated silencer	Polyamide
Seal	Nitrile rubber

Weights [g]	MP, CP connection or CPX terminal		IC connection
	Basic weight	460	
Per valve position	190		

Valve terminal type 12 CPA, Compact Performance

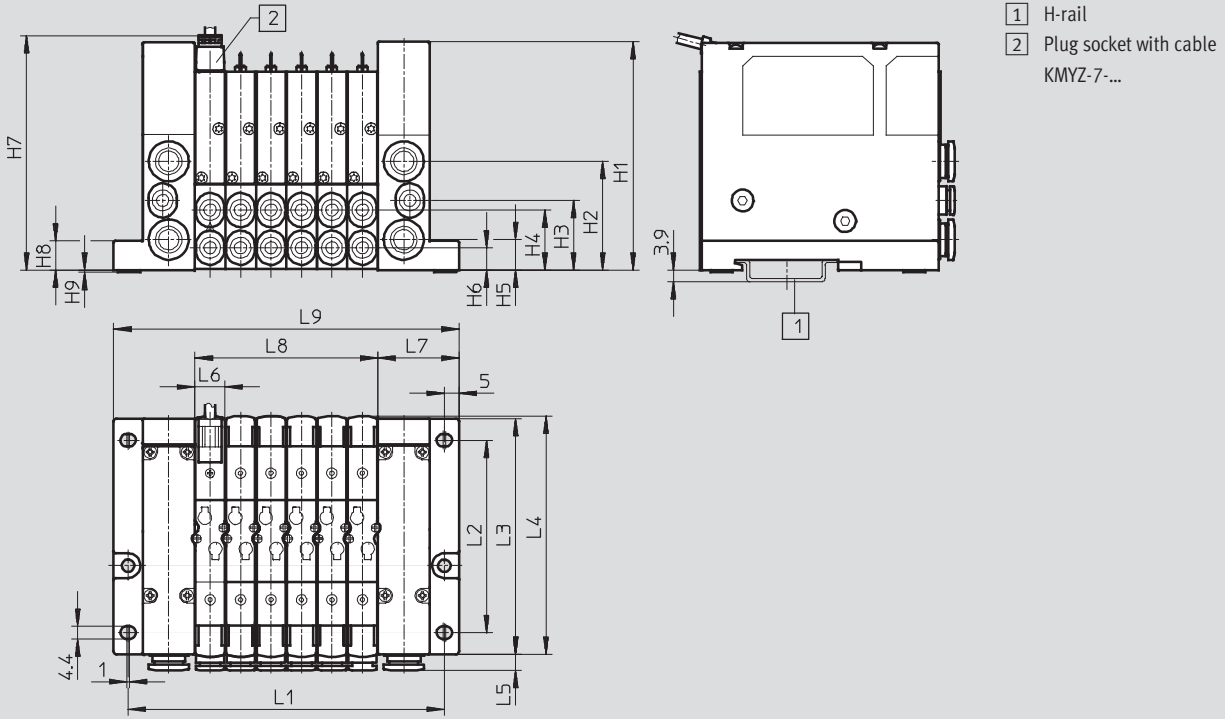
Technical data – CPA10/14

FESTO

Dimensions

Download CAD data → www.festo.com

Individual connection



Type	L1	L2	L3	L4	L5	L6	L7	L8	L9	H1	H2	H3	H4	H5	H6	H7	H8
CPA10	45+ (nx 10.6)	66.3	81.3	82.2	5.5	10.6	28	nx 10.6	56+ (nx 10.6)	78.8	37.5	24	20.7	10.5	7.7	80	10
CPA14	51+ (nx 14.6)	76.1	91.1	92.6	6.5	14.6	31	nx 14.6	62+ (nx 14.6)	91	43	27.5	26.5	12	9.5	92.5	12

n = Number of valve slices

Valve terminal type 12 CPA, Compact Performance

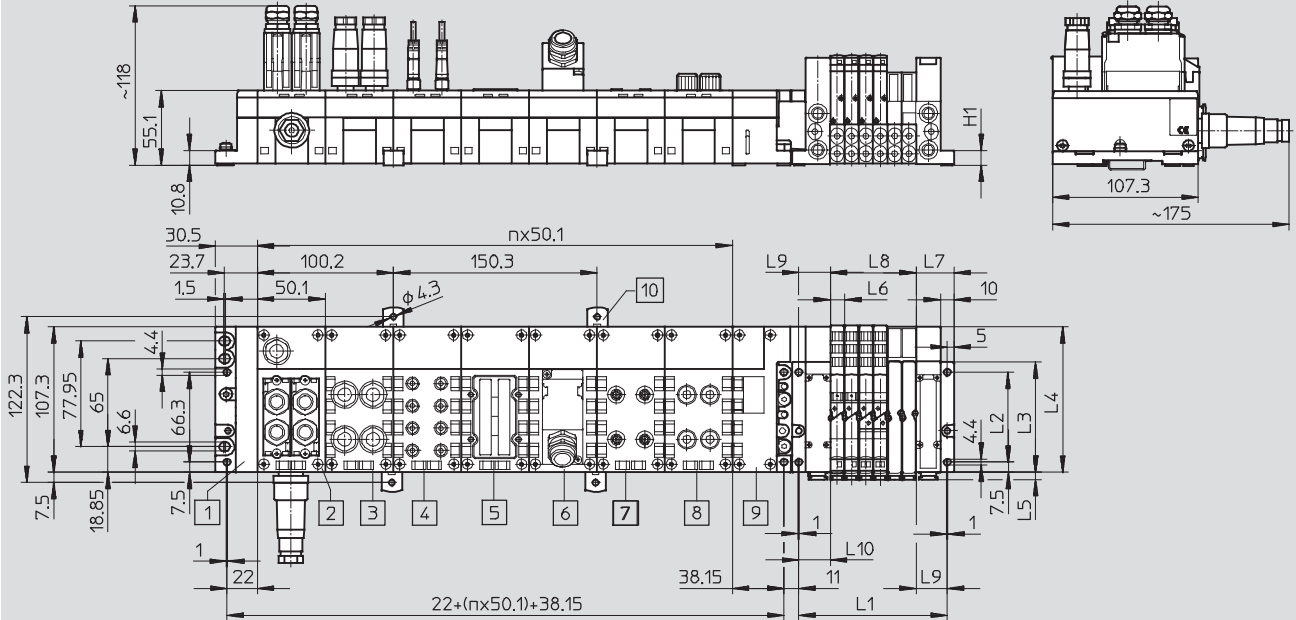
Technical data – CPA10/14 with CPX interface

FESTO

Dimensions

Download CAD data → www.festo.com

Connection blocks and valves



- | | | | |
|---|---|--|--|
| 1 End plate, left-hand | 5 Connection block
CPX-AB-8-KL-4POL | 8 Connection block
CPX-AB-4-M12x2-5POL | n = Number of bus nodes and
connection blocks for CPX |
| 2 Fieldbus node | 6 Connection block
CPX-AB-1-SUB-BU-25POL | 9 Pneumatic interface CPA | |
| 3 Connection block
CPX-AB-4-M12-8POL | 7 Connection block
CPX-AB-4-HAR-4POL | 10 Mounting clip for wall
mounting (required at every
2nd or 3rd connection block) | |
| 4 Connection block
CPX-AB-8-M8-3POL | | | |
| | | | |

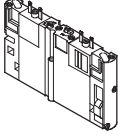
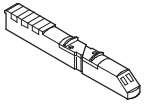

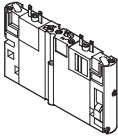
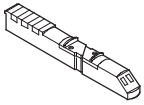

Type	L1 ¹⁾	L2 ±0.1	L3	L4	L5	L6	L7	L8 ¹⁾	L9 ±0.1	H1
CPA10	46 + (m x 10.6)	66.3	81.3	108.3	5.5	10.6	28	m x 10.6	23	10.8
CPA14	51 + (m x 14.6)	76.1	91.1	118.1	6.5	14.6	31	m x 14.6	26	13

1) m = Number of valves

Valve terminal type 12 CPA, Compact Performance

FESTO

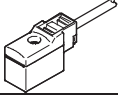
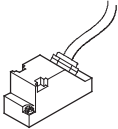
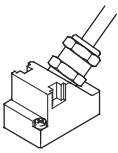

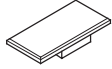
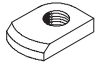
Accessories

Ordering data				
	Code	Valve function	Part No.	Type
Equipment for valve positions				
	M/Y	5/2-way valve, single solenoid/double solenoid	173449	CPA10-M1H-5LS
	J	5/2-way valve, double solenoid	173450	CPA10-M1H-5JS
	B	5/3-way valve, mid-position pressurised	173453	CPA10-M1H-5/3-BS
	G	5/3-way valve, mid-position closed	173454	CPA10-M1H-5/3-GS
	E	5/3-way valve, mid-position exhausted	173455	CPA10-M1H-5/3-ES
	N	2x 3/2-way valve, single solenoid, normally open	173451	CPA10-M1H-2x3-OLS
	K	2x 3/2-way valve, single solenoid, normally closed	173452	CPA10-M1H-2x3-GLS
	H	2x 3/2-way valve, single solenoid, 1x normally open, 1x closed	175122	CPA10-M1H-3OLS-3GLS
Current bridge with manual override				
	N	For 1 coil, manual override push-in	173499	CPA10-EB1-HT
		For 2 coils, manual override push-in	173502	CPA10-EB2-HT
	R	For 1 coil, manual override detenting	173500	CPA10-EB1-HR
		For 2 coils, manual override detenting	173503	CPA10-EB2-HR
	V	For 1 coil, manual override covered	173501	CPA10-EB1-HV
		For 2 coils, manual override covered	173504	CPA10-EB2-HV
Electrical interlinking block				
	-	For 1 coil	173505	CPA10-EV1
	-	For 2 coils	173506	CPA10-EV2
Equipment for valve positions				
	M/Y	5/2-way valve, single solenoid/double solenoid	173940	CPA14-M1H-5LS
	J	5/2-way valve, double solenoid	173941	CPA14-M1H-5JS
	B	5/3-way valve, mid-position pressurised	173944	CPA14-M1H-5/3-BS
	G	5/3-way valve, mid-position closed	173945	CPA14-M1H-5/3-GS
	E	5/3-way valve, mid-position exhausted	173946	CPA14-M1H-5/3-ES
	N	2x 3/2-way valve, single solenoid, normally open	173942	CPA14-M1H-2x3-OLS
	K	2x 3/2-way valve, single solenoid, normally closed	173943	CPA14-M1H-2x3-GLS
	H	2x 3/2-way valve, single solenoid, 1x normally open, 1x closed	175128	CPA14-M1H-3OLS-3GLS
Current bridge with manual override				
	N	For 1 coil, manual override push-in	173987	CPA14-EB1-HT
		For 2 coils, manual override push-in	173990	CPA14-EB2-HT
	R	For 1 coil, manual override detenting	173988	CPA14-EB1-HR
		For 2 coils, manual override detenting	173991	CPA14-EB2-HR
	V	For 1 coil, manual override covered	173989	CPA14-EB1-HV
		For 2 coils, manual override covered	173992	CPA14-EB2-HV
Electrical interlinking block				
	-	For 1 coil	173993	CPA14-EV1
	-	For 2 coils	173994	CPA14-EV2

Valve terminal type 12 CPA, Compact Performance

Accessories

FESTO

Ordering data			
	Designation	Part No.	Type
Cables			
	Plug socket with cable, with integrated current reduction, 24 V DC, LED, PUR cable suitable for chain link trunking	2.5 m	193683 KMYZ-7-24-2,5-LED-PUR
		5 m	193685 KMYZ-7-24-5-LED-PUR
		10 m	196070 KMYZ-7-24-10-LED-PUR
	Connecting cable, 25-pin Sub-D	5 m	177413 KEA-1-25P-5
		10 m	177414 KEA-1-25P-10
			177415 KEA-1-25P-X
	Connecting cable, for chain link trunking, with 9-pin Sub-D plug, PVC cable	5 m	193012 KMP4-9P-5-PVC
		10 m	193013 KMP4-9P-10-PVC
	Connecting cable, for chain link trunking, with 9-pin Sub-D plug, PUR cable	5 m	193014 KMP4-9P-5-PUR
		10 m	193015 KMP4-9P-10-PUR
	Connecting cable, for chain link trunking, with 25-pin Sub-D plug, PVC cable	5 m	193016 KMP4-25P-5-PVC
		10 m	193017 KMP4-25P-10-PVC
	Connecting cable, for chain link trunking, with 25-pin Sub-D plug, PUR cable	5 m	193018 KMP4-25P-5-PUR
		10 m	193019 KMP4-25P-10-PUR
	Connecting cable, with 25-pin Sub-D plug, IP40, PVC cable	2.5 m	530046 KMP6-25P-20-2,5
		5 m	530047 KMP6-25P-20-5
10 m		530048 KMP6-25P-20-10	
User documentation			
	CPA Pneumatics	German	173514 P.BE-CPA-DE
		English	173515 P.BE-CPA-EN
		French	173516 P.BE-CPA-FR
		Italian	173518 P.BE-CPA-IT
		Spanish	173517 P.BE-CPA-ES
		Swedish	173519 P.BE-CPA-SV
Miscellaneous			
	Inscription labels 6x10 in frames (64 pieces)	18576	IBS 6x10
	Inscription labels 9x20 in frames (20 pieces)	18182	IBS 9x20
	Attachment for H-rail mounting	526032	CPX-CPA-BG-NRH