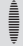


Electrical connection technology, for multi-pin plug connection


Technical data – IMP2

- Plug socket for electrical inputs or valves
- Can be fabricated with any cable lengths
- 26-pin plug socket
- Wire cross section of up to 0.75 mm²

 Note
The only difference between IMP2-...-EA (variant for inputs/ outputs) and IMP2-...-V (variant for valves) lies in the different reverse polarity protection.



General technical data	
Type	IMP2-SD-...
Type of mounting	Knurled ring
Mounting position	Any
Operating voltage range [V]	250 AC
Current-carrying capacity [A]	7.5
Protection class to EN 60 529	IP65 (assembled)
Material of housing	Nickel-plated copper base alloy
Material of seal	Neoprene, light and oil resistant
Material of contacts	Gold-plated copper base alloy
Ambient temperature [°C]	-40 ... +125

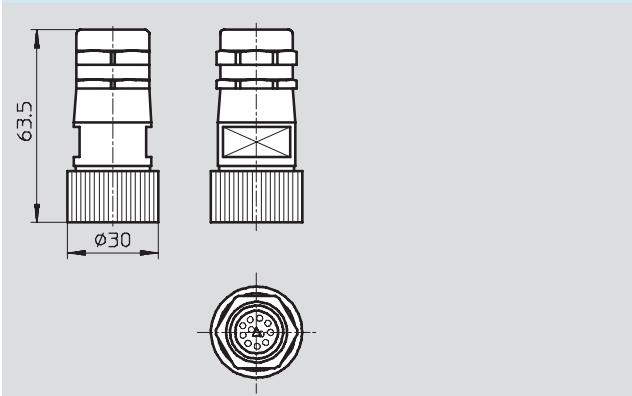
Ordering data							
	Electrical connection	Cable gland connection	Perm. cable diameter [mm]	Coding	Product weight [g]	Type	Part No.
	26-pin plug socket	Pg16	13.5 ... 15	Y (for inputs/ outputs)	97	IMP2-SD-26-EA	18 665
	26-pin plug socket	Pg16	13.5 ... 15	N (for valves)	96	IMP2-SD-26-V	18 664

Electrical connection technology, for multi-pin plug connection

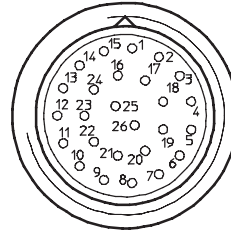
Technical data – IMP2

Dimensions

IMP2-...



Socket insert, N-coded
(IMP2-SD-26-V)



Download CAD data → www.festo.com

Socket insert, Y-coded
(IMP2-SD-26-EA)

