

Fluidic Muscle DMSP/MAS



Fluidic Muscle DMSP/MAS

Key features

At a glance			
High initial force and acceleration <ul style="list-style-type: none"> Initial force up to 10 times higher than a conventional cylinder of the same diameter Highly dynamic response, even at high loads 	Judder-free operation <ul style="list-style-type: none"> No mechanical parts moving against one another Completely jolt-free with extremely slow movements 	Simple positioning <ul style="list-style-type: none"> Controlled by means of pressure using the simplest technology without displacement encoders 	Hermetically sealed design <ul style="list-style-type: none"> Separation between operating medium and atmosphere Ideal for dusty and dirty environments Robust design Zero leakage

Mode of operation			
<p>Fluidic Muscle is a tensile actuator which mimics natural muscular movement. It consists of a contraction system and appropriate connectors. The contraction system is formed by a pressure-tight length of rubber hose, sheathed in high-strength fibres. The fibres create a rhomboidal pattern with a three-dimensional grid</p>	<p>structure. When internal pressure is applied, the hose expands in its peripheral direction, thus creating a tensile force and a contraction motion in the muscle's longitudinal direction. The usable tensile force is at its maximum at the start of the contraction and then decreases in a virtually linear manner as a function of stroke.</p>	<p>An efficient operating range is provided with contractions of up to 15% of the nominal length.</p> <p>The applications of Fluidic Muscle are as follows:</p> <ul style="list-style-type: none"> Single-acting actuator Pneumatic spring 	<p>Note</p> <p>Fluidic Muscle is intended for use as a tensile actuator only. The expansion in the peripheral direction cannot be used for clamping purposes, since external friction could cause damage to the muscle.</p>

Fluidic Muscle DMSP, with press-fitted connections → 8



The Fluidic Muscle DMSP with press-fitted connections is the result of a thorough analysis of the requirements specification that already existed for the Fluidic Muscle MAS. The resulting new development is therefore considerably lighter, more compact and durable.

- More compact design with more muscle, achieved thanks to a 25% more compact cross section.
- Up to 30% less weight, which translates into a superb force/weight ratio.
- Choice of three integrated adapter variants.

Fluidic Muscle MAS, with screwed connections → 18



The Fluidic Muscle MAS is characterised by a long service life that is made possible through the use of optimised materials. The Fluidic Muscle MAS is also available with an adapter and force-safety device.

- The force-safety device makes it possible to limit the lifting force, which can for instance protect against trapping objects.
- Use of customer-specific adaptation options.

Fluidic Muscle DMSP/MAS

Key features

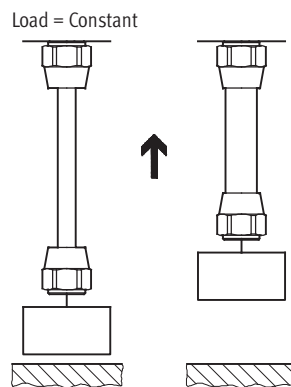
Sizing the muscle		
Sizing software		Graphical sizing
Sizing should be carried out using the MuscleSIM software.	This software can be downloaded from www.festo.com .	Apart from sizing the muscle using the software, it is also possible to define the length of the muscle with the aid of force/displacement diagrams.
		Graphical sizing of the muscle is explained with the aid of two examples → 32 .

Force curve and load cases		
The nominal length of the pneumatic muscle is defined in the non-pressurised, load-free state. It corresponds to	the visible muscle length between the connections. The muscle extends	when it is pretensioned by an external force. When pressurized, on the other hand, the muscle contracts, i.e. its length decreases.

Single-acting actuator Sizing examples [→ 32](#)

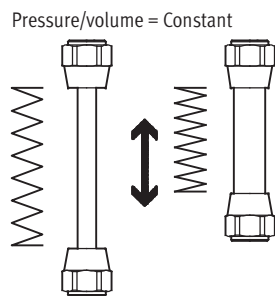
In the simplest case, Fluidic Muscle operates as a single-acting actuator against a constant load. Assuming that this load is permanently attached to the muscle, it will project from its initial position when in the extended non-pressurised state. This operating status is ideal with regard to the technical properties of Fluidic Muscle: when pressurised, a Fluidic Muscle pretensioned in this way develops

maximum force with optimum dynamic characteristics and minimum air consumption. The usable force is also at a maximum in this case. If a Fluidic Muscle is required to be free of forces in the extended state, for example to allow a load to be attached, a holding force must first be developed for lifting purposes, leaving a small force component for the motion itself.



Fluidic Muscle behaves like a spring with a changing external force: it follows the direction of action of the force. With Fluidic Muscle, both the pretensioning force of this “pneumatic spring” and its spring stiffness can be varied. Fluidic Muscle can be

operated as a spring with constant pressure or constant volume. These produce different spring characteristics that enable the spring effect to be matched perfectly to a given application.



Note

If the muscle is fed with compressed air and the volume blocked, the pressure in the muscle can increase significantly when the external force is varied. The service life of the Fluidic Muscle depends on the contraction, the operating pressure and the temperature [→ 34](#).

High operating frequencies or high loads can lead to a temperature rise.

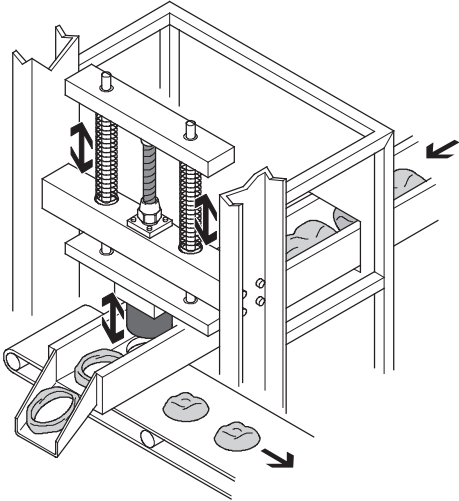
Fluidic Muscle DMSP/MAS

Typical applications

FESTO

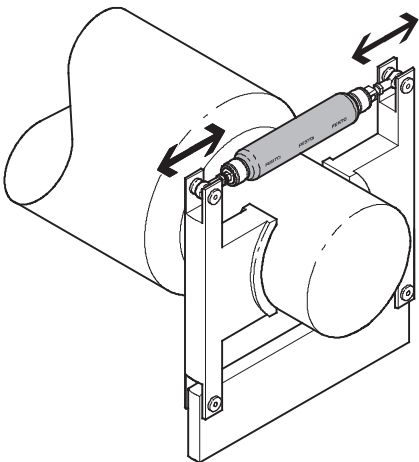
Force and dynamism

Drive for tab punching



Very high cycle rates are possible with the muscle, on the one hand because of its low weight and on the other because it has no moving parts (e.g. piston). The simple construction – one muscle pretensioned using two springs – replaces a complicated toggle lever clamping system using cylinders. This makes a frequency increase of 3 to 5 Hz possible. Over 50 million load fluctuations can be achieved in this way.

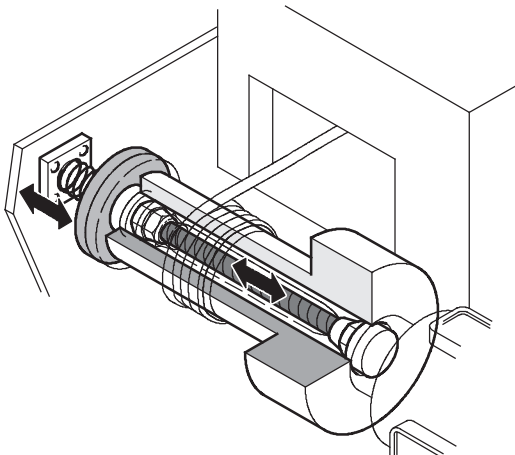
Emergency stop for rollers



The fluidic muscle is setting new standards in applications that require fast response times. The emergency stop for rollers demands both speed and force. Long machine downtimes in the event of malfunctions can thus be prevented.

Judder-free movements

Brake actuator for rewinding equipment



The friction-free muscle allows uniform and gentle braking of the pay-out reel, ensuring highly precise winding at constant speed. Control is provided by a proportional control valve whose signals are regulated via force sensors.

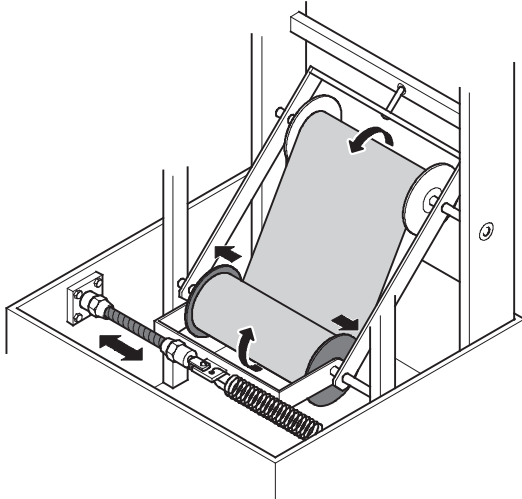
Fluidic Muscle DMSP/MAS

Typical applications

FESTO

Judder-free movements

Belt edge control for winding processes



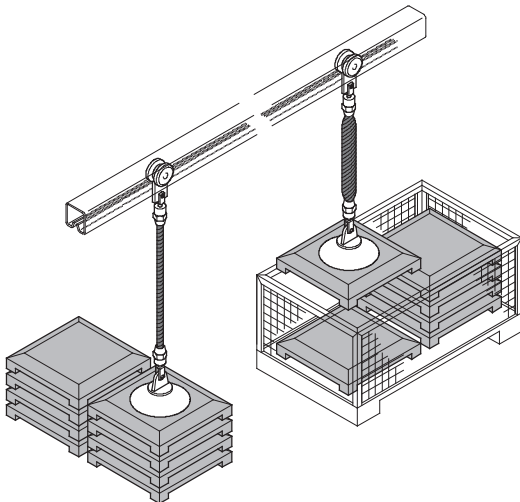
The aim:
uniform winding of paper, foil or textiles.

The requirement:
a friction-free drive with quick and immediate response characteristics.

The solution:
Fluidic Muscle. The drum attached to a moving frame is displaced by a pneumatic muscle as soon as the sensor detects misalignment. This means that the winding edge control is 100% efficient.

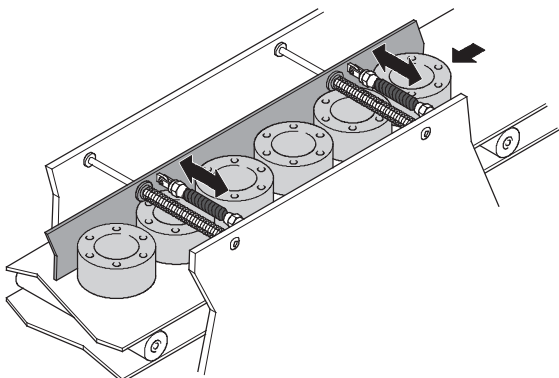
Simple positioning systems

Simple lifting device for manipulating concrete slabs and car wheel rims



Approximate intermediate positions?
No problem with pressure regulation.
The workpieces can be raised or lowered as required by pressurising or exhausting the muscle via a hand lever valve. Muscle lengths up to 9 m facilitate various types of application.

Adjusting the width of conveyor belts



With small batch sizes, it is often necessary to adapt entire system sections to different component dimensions after a short period of time. This task can be performed with the fluidic muscle in cases where an approximate adjustment is sufficient.

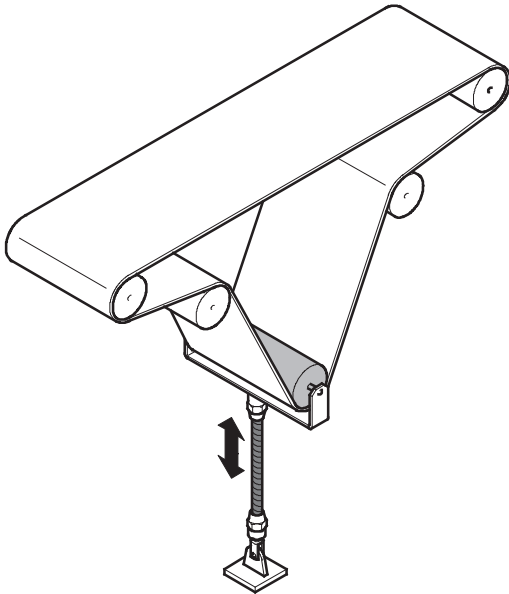
Fluidic Muscle DMSP/MAS

Typical applications

FESTO

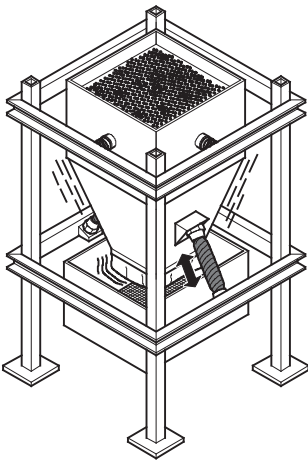
Harsh environmental conditions

Belt tensioner for conveyed goods



In dusty or dirty environments, a hermetically sealed fluidic muscle has a major advantage over conventional drives. This seal cannot wear. It is a sturdy, contractible tube that copes with the tough demands of the cement industry with ease.

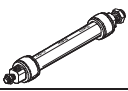
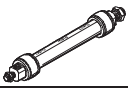
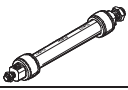
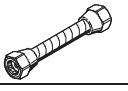
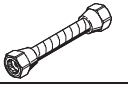

Drive for a vibratory hopper




Hoppers and silos are susceptible to the problem of parts jamming during feeding. Fluidic Muscle facilitates stepless regulation of a pneumatic shaker between 10 and 90 Hz, thereby guaranteeing continuous delivery.

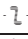
Fluidic Muscle DMSP/MAS

Product range overview

Function	Version	Type	Inside dia. [mm]	Nominal length [mm]	Lifting force [N]	Max. permissible pretensioning	Max. permissible contraction	Operating pressure [bar]	→ Page/Internet
Single-acting, pulling	Fluidic Muscle with pressed connection								
		DMSP	10	40 ... 9000	0 ... 630	3% of nominal length	25% of nominal length	0 ... 8	8
		DMSP	20	60 ... 9000	0 ... 1500	4% of nominal length	25% of nominal length	0 ... 6	8
		DMSP	40	120 ... 9000	0 ... 6000	5% of nominal length	25% of nominal length	0 ... 6	8
	Fluidic Muscle with screwed connections								
		MAS	10	40 ... 9000	0 ... 630	3% of nominal length	25% of nominal length	0 ... 8	18
		MAS	20	60 ... 9000	0 ... 1500	4% of nominal length	25% of nominal length	0 ... 6	18
		MAS	40	120 ... 9000	0 ... 6000	5% of nominal length	25% of nominal length	0 ... 6	18

 Note

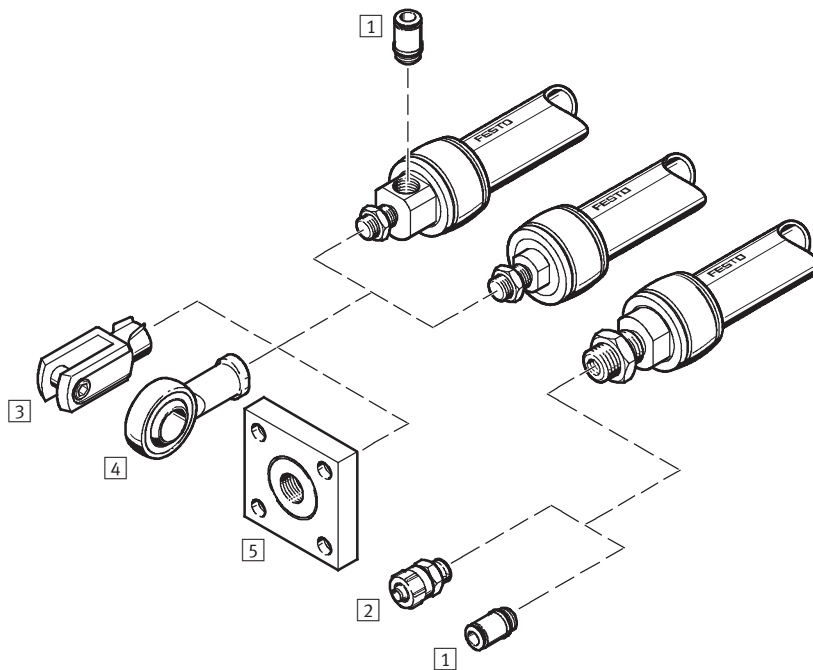
When replacing a Fluidic Muscle MAS and accessories MXAC (first-generation products available until 06/2005) as listed in the table opposite with a Fluidic Muscle MAS and mounting accessories MXAD as described in this document (part numbers → 28), please consult your contact person at Festo. Compatibility cannot be guaranteed in all cases due to changes in installation dimensions.

 To be discontinued

Fluidic Muscle MAS		Mounting accessories MXAC	
Part No.	Type	Part No.	Type
187 594	MAS-10-N-...-AA-MCFK	187 591	MXAC-B10
187 595	MAS-10-N-...-AA-MOFK	187 592	MXAC-A10
187 617	MAS-20-N-...-AA-MCHK	187 593	MXAC-R10
187 618	MAS-20-N-...-AA-MCGK	187 614	MXAC-B16
187 619	MAS-20-N-...-AA-MOHK	187 615	MXAC-A16
187 605	MAS-40-N-...-AA-MCKK	187 616	MXAC-R16
187 606	MAS-40-N-...-AA-MCIK	187 602	MXAC-B20
187 607	MAS-40-N-...-AA-MOKK	187 603	MXAC-A20
		187 604	MXAC-R20

Fluidic Muscle DMSP, with press-fitted connections

Peripherals overview

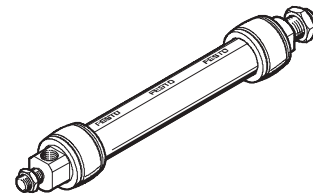
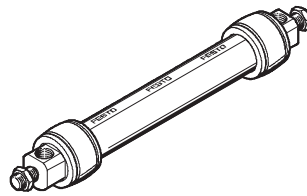
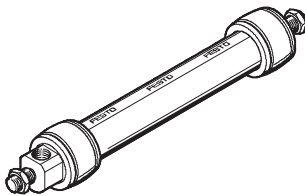


Variants

Pneumatic connection, radial, at one end, RM-CM

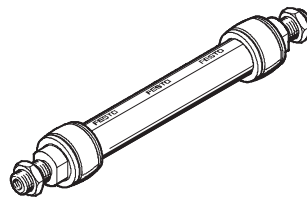
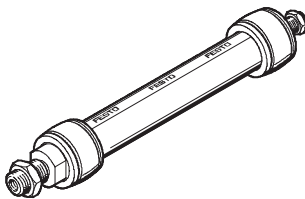
Pneumatic connection, radial, at both ends, RM-RM

Pneumatic connection, radial and axial, RM-AM



Pneumatic connection, axial, at one end, AM-CM

Pneumatic connection, axial, at both ends, AM-AM

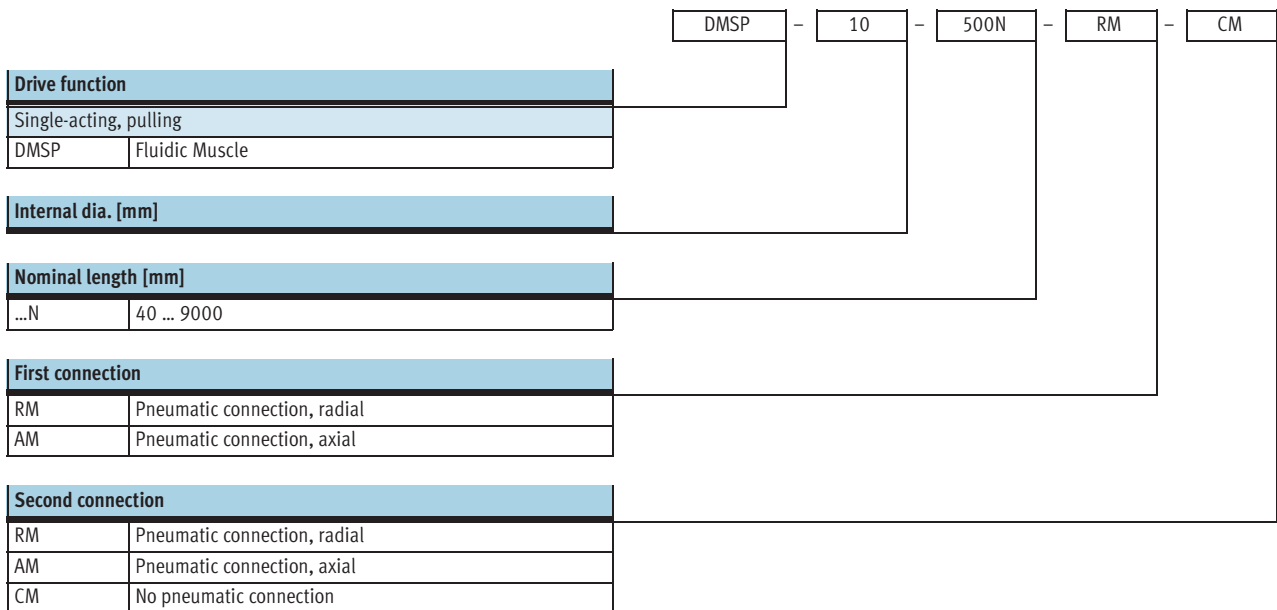


Mounting attachments and accessories

	Brief description	→ Page/Internet
1 Push-in fittings QS	For connecting compressed air tubing with standard external diameters	quick star
2 Quick connectors CK	For connecting compressed air tubing with standard internal diameters	ck
3 Rod clevis SG	Permits swivel motion of the Fluidic Muscle in one plane	17
4 Rod eye SGS	With spherical bearing	17
5 Coupling pieces KSG/KSZ	For compensating radial deviations	17

Fluidic Muscle DMSP, with press-fitted connections




Type codes



Fluidic Muscle DMSP, with press-fitted connections

FESTO

Technical data

-  Size
10 ... 40 mm
-  Nominal length
40 ... 9000 mm
-  Lifting force
0 ... 6000 N



General technical data			
Size	10	20	40
Pneumatic connection	G $\frac{1}{8}$	G $\frac{1}{4}$	G $\frac{3}{8}$
Design	Contraction membrane		
Mode of operation	Single-acting, pulling		
Internal dia. [mm]	10	20	40
Nominal length [mm]	40 ... 9000	60 ... 9000	120 ... 9000
Max. additional load, freely suspended [kg]	30	80	250
Max. permissible pretensioning ¹⁾	3% of nominal length	4% of nominal length	5% of nominal length
Max. permissible contraction	25% of nominal length		
Max. hysteresis	≤ 3% of nominal length	≤ 2.5% of nominal length	
Max. relaxation	≤ 3% of nominal length		
Repetition accuracy	≤ 1% of nominal length		
Max. perm. offset of connections	Angle tolerance: ≤ 1.0° Parallelism tolerance: ± 0.5% (up to 400 mm nominal length), ≤ 2 mm (from 400 mm nominal length)		
Type of mounting	With accessories		
Assembly position	Any (an external guide is required if lateral forces occur)		

1) The max. pretensioning is achieved when the max. permissible freely suspended useful load is attached.

Operating and environmental conditions			
Size	10	20	40
Operating pressure [bar]	0 ... 8	0 ... 6	
Operating medium	Filtered compressed air, lubricated or unlubricated (other media upon request)		
Ambient temperature [°C]	-5 ... +60		
Corrosion resistance class CRC ²⁾	2		

2) Corrosion resistance class 2 according to Festo standard 940 070
Components requiring moderate corrosion resistance. Externally visible parts with primarily decorative surface requirements which are in direct contact with a normal industrial environment or media such as coolants or lubricating agents.

Forces [N] at max. permissible operating pressure			
Size	10	20	40
Theoretical force	630	1500	6000

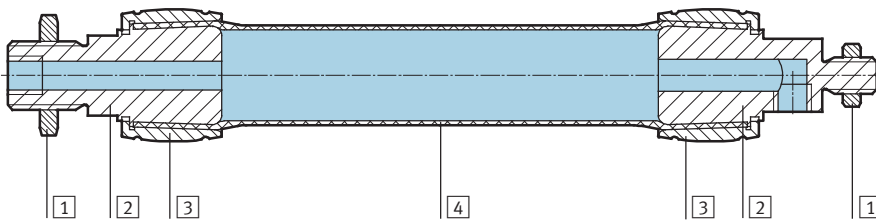
Fluidic Muscle DMSP, with press-fitted connections

Technical data

Weight [g]				
Size		10	20	40
Basic weight at 0 m length	RM-CM	58	169	675
	RM-RM	66	182	707
	RM-AM	75	202	767
	AM-CM	66	189	735
	AM-AM	83	222	827
Additional weight per 1 m length		94	178	340

Materials

Sectional view



Fluidic muscle	
1	Nut Galvanised steel
2	Flange Wrought aluminium alloy, clear anodised
3	Sleeve Wrought aluminium alloy, clear anodised
4	Membrane Chloroprene, aramide

Fluidic Muscle DMSP, with press-fitted connections

Technical data

Permissible force F [N] as a function of the contraction h [%] of the nominal length

Force/displacement diagrams and sizing ranges

The limit for “freely suspended” loads is derived from the contraction. With the Fluidic Muscle DMSP-10-..., a

loosely attached additional load of 30 kg results in 3% pretensioning (see diagram). The limits specified in the

technical data must be complied with when using the fluidic muscle. The diagrams below illustrate the operat-

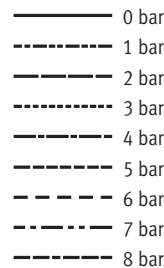
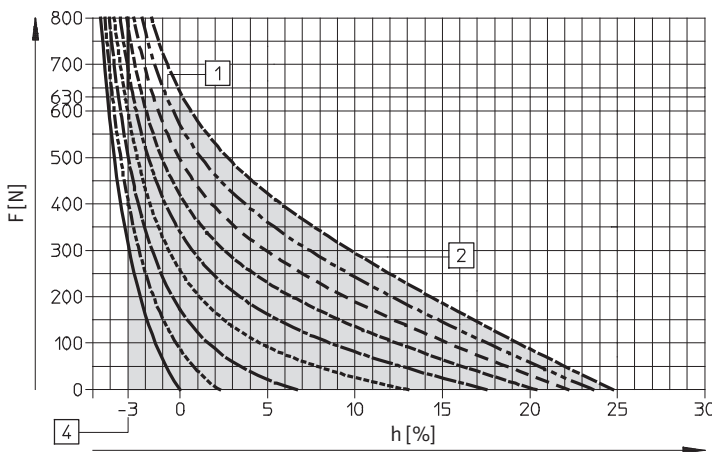
ing range of the fluidic muscle, depending on the diameter, within the boundary lines illustrated below.

Using the diagrams

1. The upper limit of the grey area describes maximum permissible force.
2. The right limiting curve of the grey area describes the maximum permissible operating pressure.
3. The right vertical limit of the grey area describes the maximum permissible contraction.
4. The left limit of the grey area describes the load limit of the muscle defined by the maximum pretensioning.

Operating range DMSP-10-100N-...

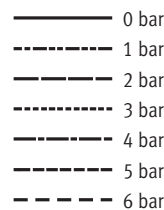
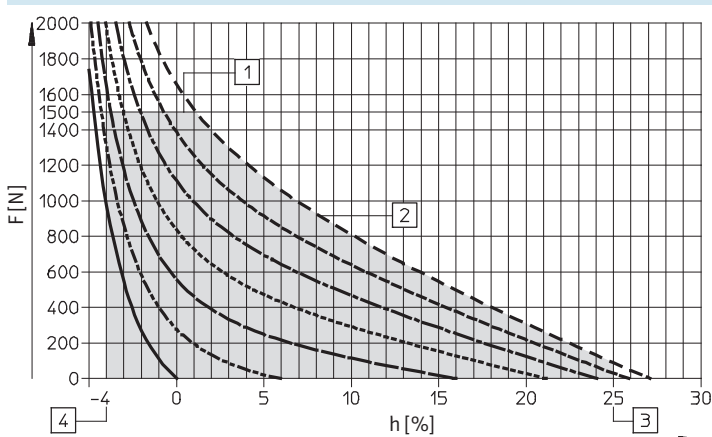
Sizing examples → 32



- 1 Min. theoretical force at max. operating pressure
- 2 Max. operating pressure
- 4 Max. pretensioning
- Permissible operating range

Operating range DMSP-20-200N-...

Sizing examples → 32



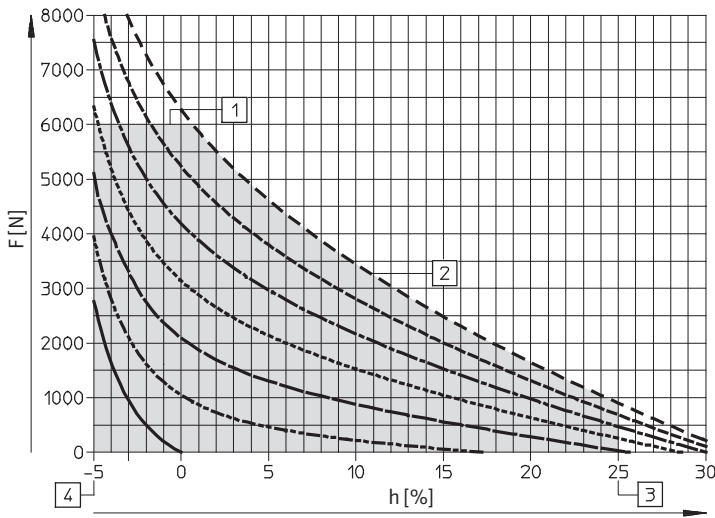
- 1 Min. theoretical force at max. operating pressure
- 2 Max. operating pressure
- 3 Max. deformation
- 4 Max. pretensioning
- Permissible operating range

Fluidic Muscle DMSP, with press-fitted connections

Technical data

Operating range DMSP-40-400N-...

Sizing examples → 32



- 0 bar
- - - 1 bar
- · - 2 bar
- · · - 3 bar
- · · · - 4 bar
- · · · · - 5 bar
- · · · · · - 6 bar

- 1 Min. theoretical force at max. operating pressure
 - 2 Max. operating pressure
 - 3 Max. deformation
 - 4 Max. pretensioning
- Permissible operating range

Note

The diagrams were determined using muscles with standard length (standard length = 10x internal dia.), sizing should therefore be carried out using the Fluidic Muscle sizing software. The software is available at

the address → www.festo.com. Approximate sizing is possible using the force/displacement diagram. Properties that influence the dependence between force and displacement, such

as material properties, manufacturing deviations and nominal length, are not taken into account in these diagrams. The theoretical force can therefore increase by up to ten per

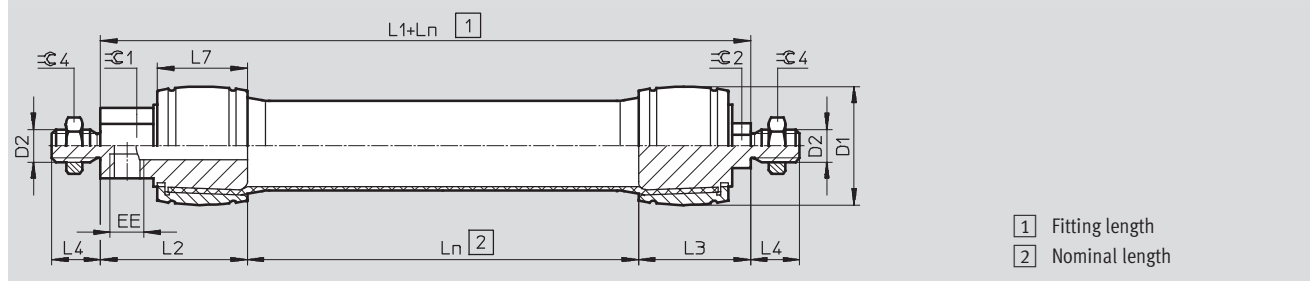
cent. Deviations can be compensated by means of pressure adaptation up to the maximum permissible operating pressure.

Fluidic Muscle DMSP, with press-fitted connections

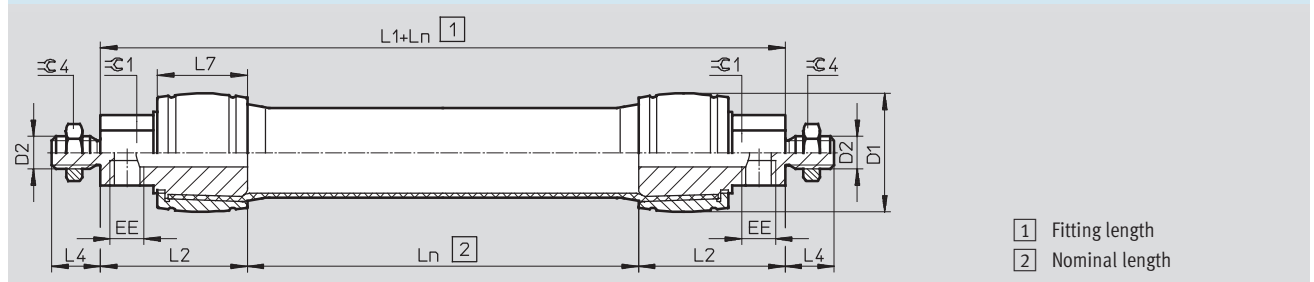
Technical data

Dimensions Download CAD data → www.festo.com

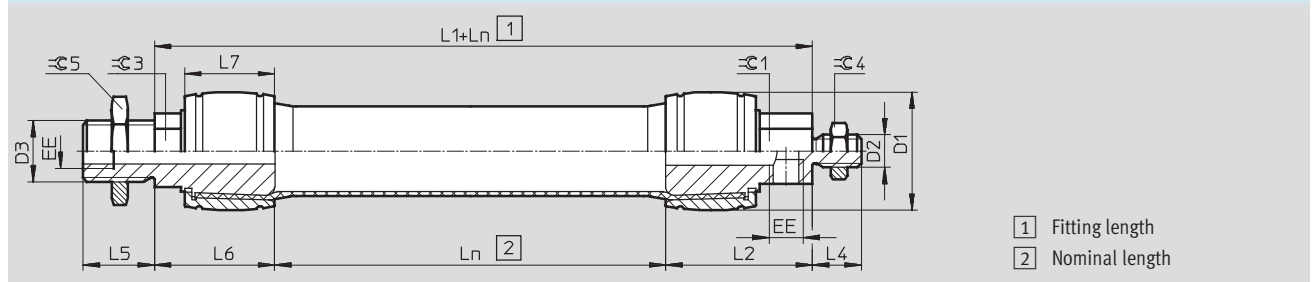
RM-CM – pneumatic connection, radial, at one end



RM-RM – pneumatic connection, radial, at both ends



AM-RM – pneumatic connection, axial and radial



Size	D1 max.	D2	D3	EE ²⁾	Ln ¹⁾		L1			L2
					min.	max.	RM-CM	RM-RM	AM-RM	
10	22	M8	M16x1.5	G $\frac{1}{8}$	40	9000	62	72	63	36
20	35	M10x1.25	M20x1.5	G $\frac{1}{4}$	60		95	113	97	56.5
40	57	M16x1.5	M30x1.5	G $\frac{3}{8}$	120		127	144	131	72

Size	L3	L4	L5	L6	L7	≠C1 ²⁾	≠C2 ²⁾	≠C3 ²⁾	≠C4	≠C5
10	26	15	16	27	19	14	10	17	13	24
20	38.5	20	18	40.5	30	19	12	20	17	30
40	55	24	35	59	44	30	19	30	24	46

1) Tolerance < 100 mm ±1 mm, 100 ... 400 mm ±1%, > 400 mm ±4 mm.
2) Parallel orientation of the spanner flats on the left and right connection side can lead to deviations (for production reasons).

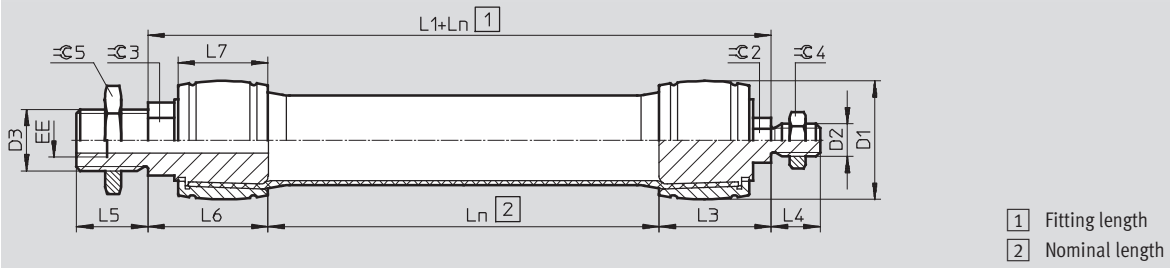
Fluidic Muscle DMSF, with press-fitted connections

Technical data

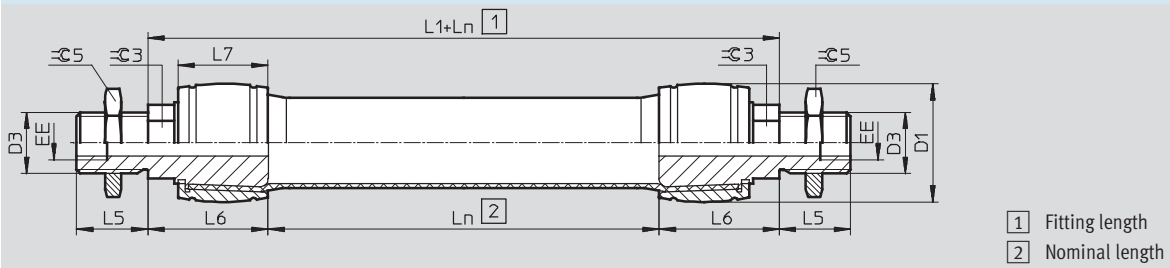
Dimensions

Download CAD data → www.festo.com

AM-CM – pneumatic connection, axial, at one end



AM-AM – pneumatic connection, axial, at both ends



Size	D1 max.	D2	D3	EE	Ln ¹⁾		L1		L3
					min.	max.	AM-CM	AM-AM	
10	22	M8	M16x1.5	G $\frac{1}{8}$	40	9000	53	54	26
20	35	M10x1.25	M20x1.5	G $\frac{1}{4}$	60		79	81	38.5
40	57	M16x1.5	M30x1.5	G $\frac{3}{8}$	120		114	118	55

Size	L4	L5	L6	L7	$\approx\text{C}1^2)$	$\approx\text{C}2^2)$	$\approx\text{C}3^2)$	$\approx\text{C}4$	$\approx\text{C}5$
10	15	16	27	19	17	10	17	13	24
20	20	18	40.5	30	19	12	20	17	30
40	24	35	59	44	30	19	30	24	46

1) Tolerance < 100 mm ±1 mm, 100 ... 400 mm ±1%, > 400 mm ±4 mm.

2) Parallel orientation of the spanner flats on the left and right connection side can lead to deviations (for production reasons).

Fluidic Muscle DMSP, with press-fitted connections



Ordering data – Modular products

M Mandatory data					
Module No.	Function	Size	Nominal length	First connection	Second connection
541 403	DMSP	10	40 ... 9 000	RM	CM
541 404		20		AM	RM
541 405		40			AM
Ordering example					
541 404	DMSP	- 20	- 5 000 N	- AM	- RM


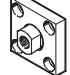
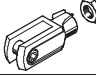
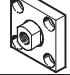
Ordering table						
Size	10	20	40	Condi- tions	Code	Enter code
M Module No.	541 403	541 404	541 405			
Function	Fluidic Muscle with press-fitted connections				DMSP	DMSP
Size [mm]	10	20	40		-...	
Nominal length [mm]	40 ... 9000	60 ... 9000	120 ... 9000		-...N	-...N
First connection	Radial, male thread Connecting thread / supply port M8 / G $\frac{1}{8}$ M10x1.25 / G $\frac{1}{4}$ M16x1.5 / G $\frac{3}{8}$				-RM	
	Axial, male thread Connecting thread / supply port M16x1.5 / G $\frac{1}{8}$ M20x1.5 / G $\frac{1}{4}$ M30x1.5 / G $\frac{3}{8}$				-AM	
Second connection	Closed, male thread Connecting thread M8 M10x1.25 M16x1.5				-CM	
	Radial, male thread Connecting thread / supply port M8 / G $\frac{1}{8}$ M10x1.25 / G $\frac{1}{4}$ M16x1.5 / G $\frac{3}{8}$				-RM	
	Axial, male thread Connecting thread / supply port M16x1.5 / G $\frac{1}{8}$ M20x1.5 / G $\frac{1}{4}$ M30x1.5 / G $\frac{3}{8}$				-AM	

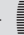
Transfer order code

	DMSP	-		-	... N	-		-	
--	-------------	---	--	---	--------------	---	--	---	--

Fluidic Muscle DMSP, with press-fitted connections

Accessories

Ordering data				Technical data → piston rod attachment			
Designation	For size	Part No.	Type	Designation	For size	Part No.	Type
Rod eye SGS				Coupling piece KSG			
	10	9 255	SGS-M8		10	–	
	20	9 261	SGS-M10x1,25		20	32 963	KSG-M10x1,25
	40	9 263	SGS-M16x1,5 ¹⁾		40	32 965	KSG-M16x1,5
Rod clevis SG				Coupling piece KSZ			
	10	3 111	SG-M8		10	36 124	KSZ-M8
	20	6 144	SG-M10x1,25		20	36 125	KSZ-M10x1,25
	40	6 146	SG-M16x1,5 ¹⁾		40	36 127	KSZ-M16x1,5

-  - Note

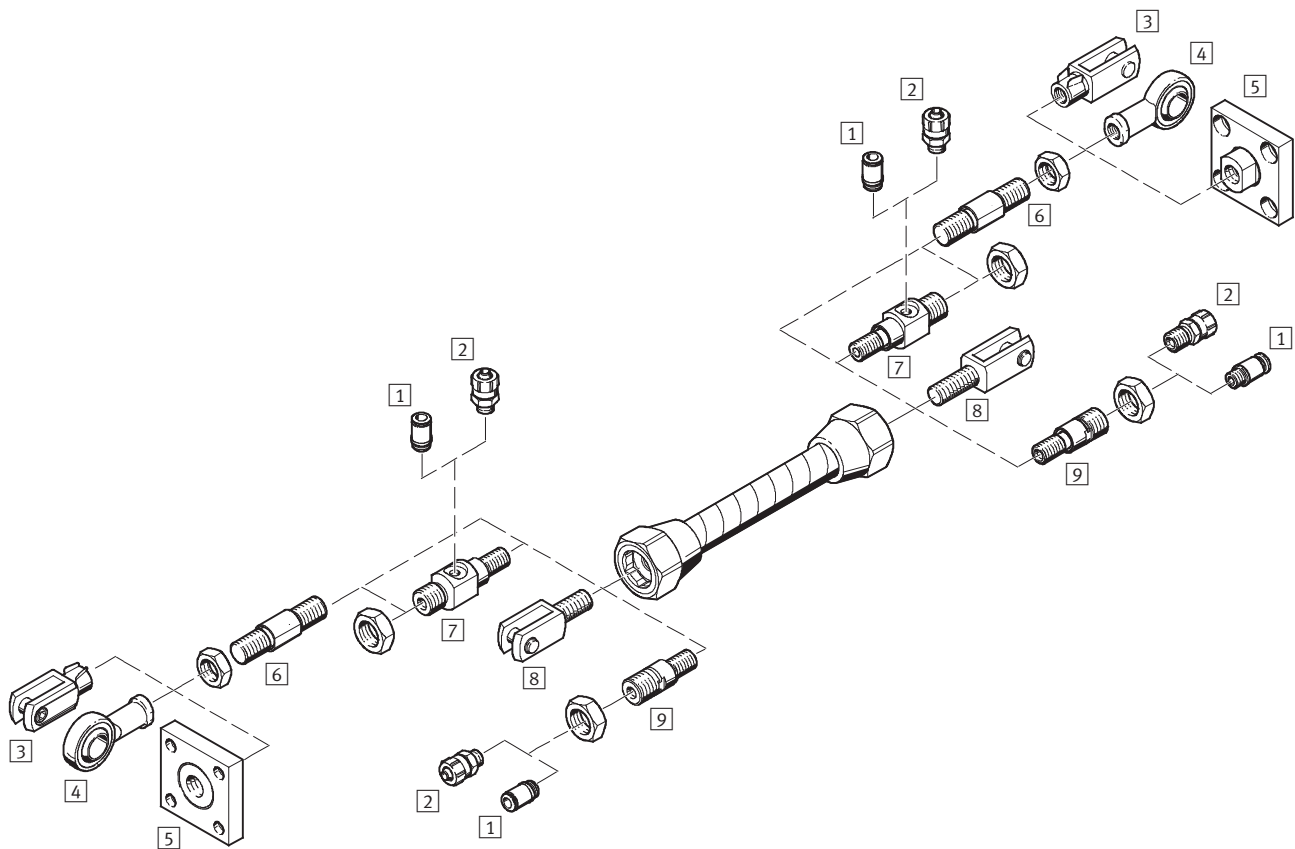
1) Subjecting the DMSP-40 to dynamic loading results in certain limitations with regard to the technical data due to the accessories. Basis: nominal load, friction torque at $\mu = 0.2$:

- Endurance limit at 6000 N: 1 million load cycles (higher values upon request)
- Endurance limit at 4000 N: 10 million load cycles

Fluidic Muscle MAS, with screwed connections

Peripherals overview

FESTO



Mounting attachments and accessories		
	Brief description	→ Page/Internet
1	Push-in fittings QS	quick star
2	Quick connectors CK	ck
3	Rod clevis SG	31
4	Rod eye SGS	31
5	Coupling pieces KSG/KSZ	31
6	Threaded rod MXAD-T	31
7	Radial adapter MXAD-R	30
8	Rod clevis SGA	31
9	Axial adapter MXAD-A	30

Fluidic Muscle MAS, with screwed connections

Type codes

MAS - 10 - 500N - AA - MC - K - ER - EG

Drive function

Single-acting, pulling	
MAS	Fluidic Muscle

Internal dia. [mm]

Nominal length [mm]

...N	40 ... 9000
------	-------------

Material

AA	Standard material (chloroprene, aramide)
----	--

Connection type

MC	Open at one end
MO	Open at both ends

Connection type

K	With force compensator
O	Without force compensator

Accessories supplied loose

Adapter	
ER	1 adapter for radial air supply, at one end
EA	1 adapter for axial air supply, at one end
BR	2 adapters for radial air supply, at both ends
BA	2 adapters for axial air supply, at both ends
RA	1 adapter for radial and 1 adapter for axial air supply




Mounting

EG	1 threaded rod for mounting, at one end
BG	2 threaded rods for mounting, at both ends

Fluidic Muscle MAS, with screwed connections

FESTO

Technical data

-  Size
10 ... 40 mm
-  Nominal length
40 ... 9000 mm
-  Lifting force
0 ... 6000 N



General technical data				
Size		10	20	40
Pneumatic connection		→ Adapter MXAD... from page 30		
Design		Contraction diaphragm		
Mode of operation		Single-acting, pulling		
Internal dia.	[mm]	10	20	40
Nominal length	[mm]	40 ... 9000	60 ... 9000	120 ... 9000
Max. additional load, freely suspended	[kg]	30	80	250
Max. permissible pretensioning ¹⁾	Without force compensator	3% of nominal length	4% of nominal length	5% of nominal length
	With force compensator	3% of nominal length	3% of nominal length	3% of nominal length
Max. permissible contraction		25% of nominal length		
Max. hysteresis		≤ 3% of nominal length	≤ 2.5% of nominal length	
Max. relaxation		≤ 4% of nominal length		≤ 3% of nominal length
Repetition accuracy		≤ 1% of nominal length		
Type of mounting		With accessories		
Assembly position		Any (an external guide is required if lateral forces occur)		

1) The max. pretensioning is achieved when the max. permissible freely suspended useful load is attached.

Operating and environmental conditions				
Size		10	20	40
Operating pressure	[bar]	0 ... 8	0 ... 6	
Operating medium		Filtered compressed air, lubricated or unlubricated (other media upon request)		
Ambient temperature	[°C]	-5 ... +60		
Corrosion resistance class CRC ²⁾		2		

2) Corrosion resistance class 2 according to Festo standard 940 070
Components requiring moderate corrosion resistance. Externally visible parts with primarily decorative surface requirements which are in direct contact with a normal industrial environment or media such as coolants or lubricating agents.

Forces [N] at max. permissible operating pressure				
Size		10	20	40
Theoretical force		630	1500	6000
Force compensation		400	1200	4000

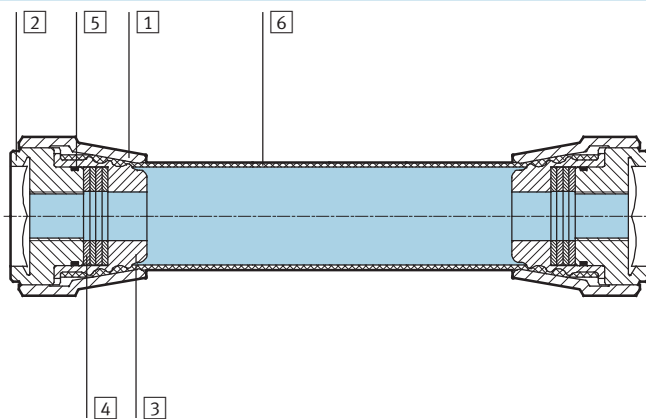
Fluidic Muscle MAS, with screwed connections

Technical data

Weight [g]				
Size		10	20	40
Basic weight at 0 m length		77	238	673
Additional weight per 1 m length		94	178	340
Connection without force compensator	MO	38	114	331
	MC	39	124	342
Connection with force compensator	MO	49	153	521
	MC	49	153	521

Materials

Sectional view



Fluidic muscle		
1	Union nuts	Wrought aluminium alloy, clear anodised
2	Flange	Wrought aluminium alloy, blue anodised
3	Internal cone	Wrought aluminium alloy, clear anodised
4	Cup springs	Steel
5	Sealing ring	Nitrile rubber
6	Diaphragm hose	Chloroprene, aramide
-	Adhesive	Loctite 243 (thread locking agent)
-	Lubricant	Klüberplex BE 31-102
	Note on materials	Copper, PTFE and silicone-free

Fluidic Muscle MAS, with screwed connections

Technical data

Permissible force F [N] as a function of the contraction h [%] of the nominal length

The limit for “freely suspended” loads is derived from the contraction. With the Fluidic Muscle MAS-10-..., a

loosely attached additional load of 30 kg results in 3% pretensioning (see diagram). The limits specified in the

technical data must be complied with when using the fluidic muscle. The diagrams below illustrate the operat-

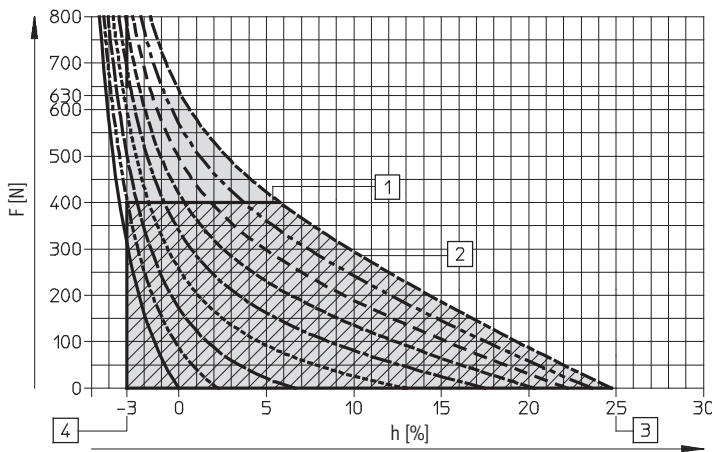
ing range of the fluidic muscle, depending on the diameter, within the boundary lines illustrated below.

Using the diagrams

1. The upper limit of the grey area describes maximum permissible force.
2. The right limiting curve of the permissible operating ranges describes the maximum permissible operating pressure.
3. The right vertical limit of the permissible operating ranges describes the maximum permissible contraction.
4. The left limit of the permissible operating ranges describes the load limit of the muscle defined by the maximum pretensioning.

Operating range MAS-10-100N-...

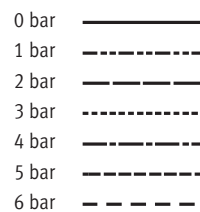
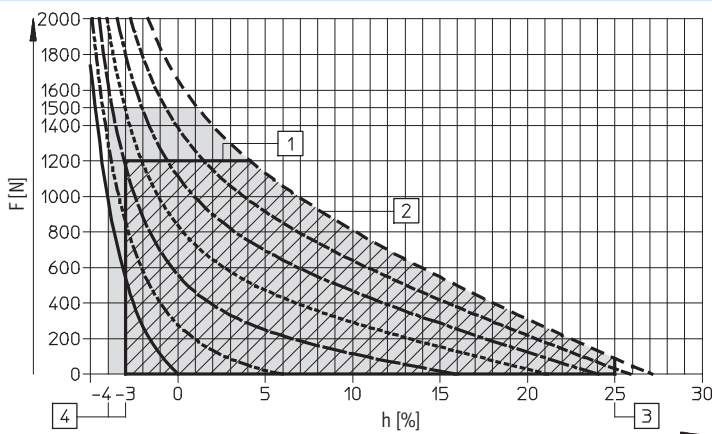
Sizing examples → 32



- 1 Force compensation with MAS-10-...-K
 - 2 Max. operating pressure
 - 3 Max. deformation
 - 4 Max. pretensioning
- Permissible operating range for MAS-10-...
- ▨ Permissible operating range for MAS-10-...-K

Operating range MAS-20-200N-...

Sizing examples → 32



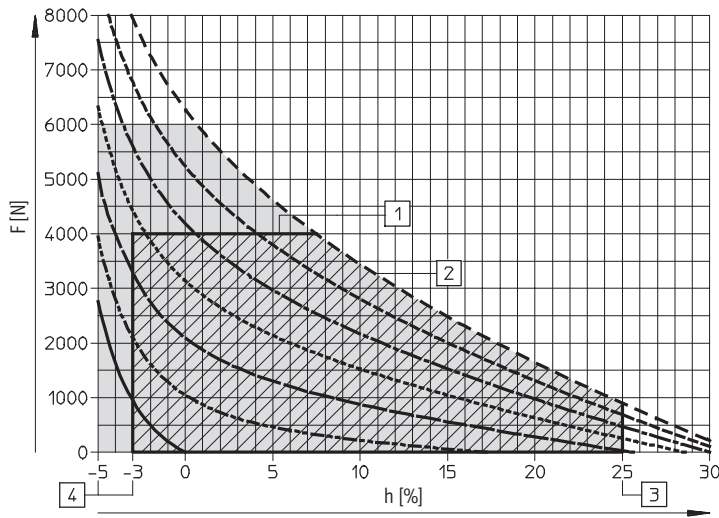
- 1 Force compensation with MAS-20-...-K
 - 2 Max. operating pressure
 - 3 Max. deformation
 - 4 Max. pretensioning
- Permissible operating range for MAS-20-...
- ▨ Permissible operating range for MAS-20-...-K

Fluidic Muscle MAS, with screwed connections

Technical data

Operating range MAS-40-400N-...

Sizing examples → 32



- 0 bar ———
- 1 bar - - - - -
- 2 bar - · - · -
- 3 bar · · · · ·
- 4 bar - - - - -
- 5 bar - · - · -
- 6 bar - · - · -

- 1 Force compensation with MAS-40-...-K
- 2 Max. operating pressure
- 3 Max. deformation
- 4 Max. pretensioning

■ Permissible operating range for MAS-40-...

▨ Permissible operating range for MAS-40-...-K

Note

The specified pretensioning applies to the design without force compensation – the diagrams were determined using muscles with standard length (standard length = 10x internal dia.), sizing should therefore be carried out

using the Fluidic Muscle sizing software. The software is available at the address → www.festo.com. Approximate sizing is possible using the force/displacement diagram. Properties that influence the dependence

between force and displacement, such as material properties, manufacturing deviations and nominal length, are not taken into account in these diagrams. The theoretical force can

therefore increase by up to ten per cent. Deviations can be compensated by means of pressure adaptation up to the maximum permissible operating pressure.

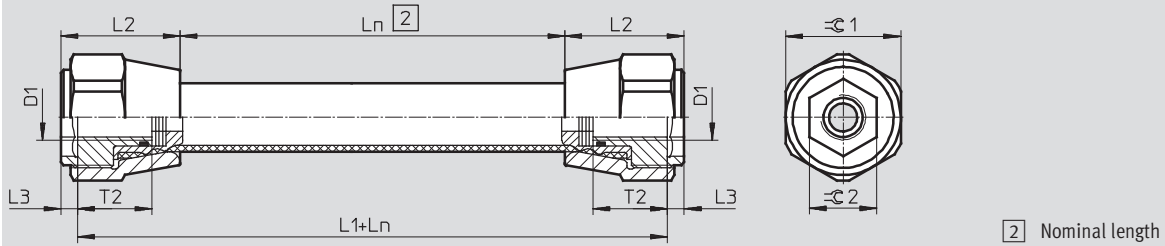
Fluidic Muscle MAS, with screwed connections

Technical data

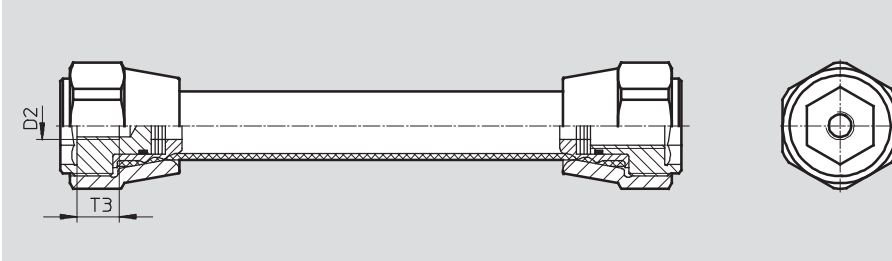
Dimensions – without force compensation

Download CAD data → www.festo.com

MO-0 – open at both ends



MC-0 – open at one end



Size	D1	D2	Ln		L1
			min.	max.	
10	M10x1.25	M10x1.25	40	9000 ¹⁾	60.2
20	M16x1.5	M10x1.25	60		73
40	M20x1.5	M16x1.5	120		95

Size	L2	L3	T2	T3	≈C1	≈C2
10	34.1	4	10	10	27	17
20	42.5	6	26.5	15	41	24
40	55.5	8	21.8	20	60	41

1) Tolerance ≤ 100 mm ±1 mm, 100 ... 400 mm ±1%, > 400 mm ±4 mm.

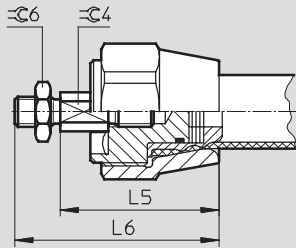
Fluidic Muscle MAS, with screwed connections

Technical data

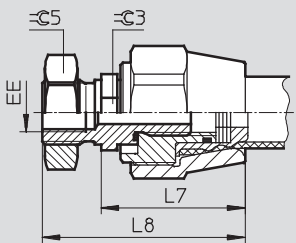
Dimensions – without force compensation

Download CAD data → www.festo.com

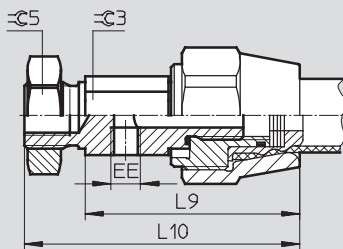
EG – open at one end, with threaded rod



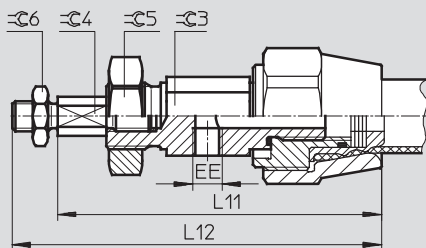
EA/BA – pneumatic connection, axial, one end/both ends



ER/BR – pneumatic connection, radial, one end/both ends



ER/BR-EG/BG – pneumatic connection, radial with threaded rod, one end/both ends



Size	EE		L5	L6	L7	L8	L9
	Axial	Radial					
10	G $\frac{1}{8}$	M5	46.1	61.1	42.6	60	58.2
20	G $\frac{1}{4}$	G $\frac{1}{8}$	52.5	67.5	49	69	71
40	G $\frac{3}{8}$	G $\frac{1}{4}$	67.5	91.5	63	101	93

Size	L10	L11	L12	$\varnothing 3$	$\varnothing 4$	$\varnothing 5$	$\varnothing 6$
10	75.6	96.6	111.6	17	11	24	17
20	91	107	122	24	11	32	17
40	131	151	175	36	17	46	24

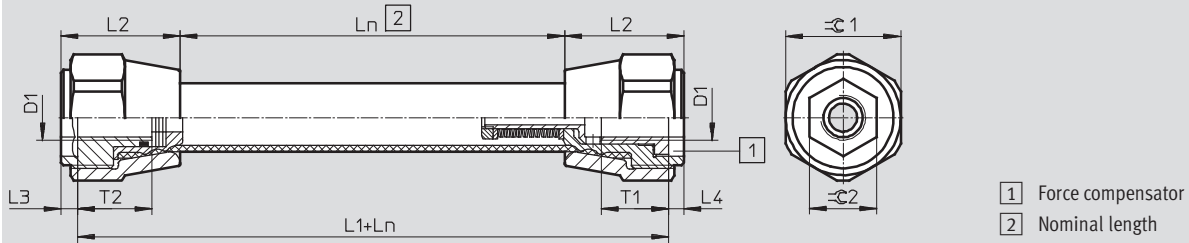
Fluidic Muscle MAS, with screwed connections

Technical data

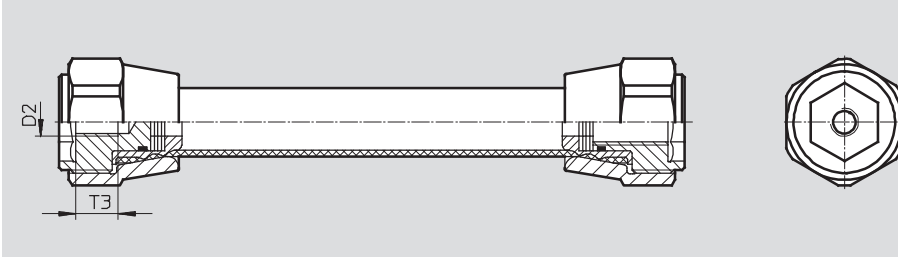
Dimensions – with force compensation

Download CAD data → www.festo.com

MO-K – open at both ends



MC-K – open at one end



Size	D1	D2	Ln		L1	L2
			min.	max.		
10	M10x1.25	M10x1.25	40	9000 ¹⁾	61.7	34.1
20	M16x1.5	M10x1.25	60		73.5	42.5
40	M20x1.5	M16x1.5	120		96.5	55.5

Size	L3	L4	T1	T2	T3	≈C1	≈C2
10	4	2.5	15	10	10	27	17
20	6	5.5	24	26.5	15	41	24
40	8	6.5	30	21.8	20	60	41

1) Tolerance ≤ 100 mm ±1 mm, 100 ... 400 mm ±1%, > 400 mm ±4 mm.

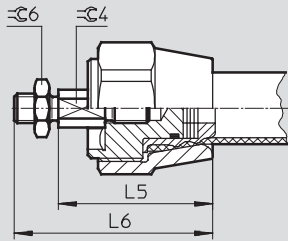
Fluidic Muscle MAS, with screwed connections

Technical data

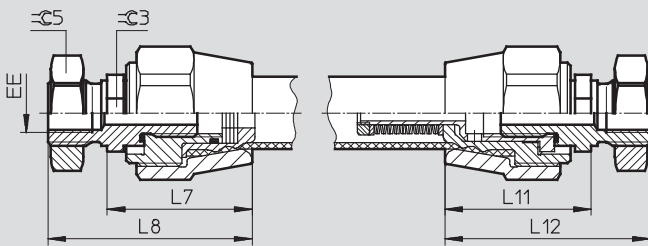
Dimensions – without force compensation

Download CAD data → www.festo.com

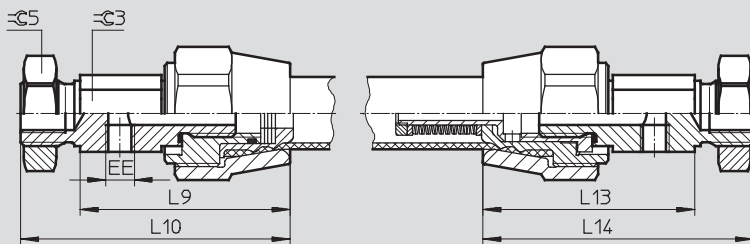
EG – open at one end, with threaded rod



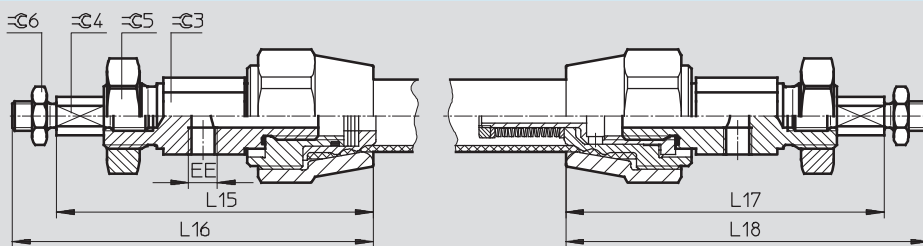
EA/BA – pneumatic connection, axial, one end/both ends



ER/BR – pneumatic connection, radial, one end/both ends



EA/BA-EG/BG – pneumatic connection, radial with threaded rod, one end/both ends



Size	EE		L5	L6	L7	L8	L9	L10	L11	L12
	Axial	Radial								
10	G $\frac{1}{8}$	M5	46.1	61.1	42.6	60	58.2	75.6	44.1	61.5
20	G $\frac{1}{4}$	G $\frac{1}{8}$	52.5	67.5	49	69	71	91	49.5	69.5
40	G $\frac{3}{8}$	G $\frac{1}{4}$	67.5	91.5	63	101	93	131	64.5	102.5

Size	L13	L14	L15	L16	L17	L18	$\varnothing 3$	$\varnothing 4$	$\varnothing 5$	$\varnothing 6$
10	59.7	77.1	96.6	111.6	98.1	113.1	17	11	24	17
20	71.5	91.5	107	122	107.5	122.5	24	11	32	17
40	94.5	132.5	151	175	152.5	176.6	36	17	46	24

Fluidic Muscle MAS, with screwed connections

Ordering data – Modular products

M Mandatory data							O Options					
Module No.	Function	Inside dia.	Nominal length	Material	Connection type	Connector type	Adapter	Mounting				
534 201	MAS	10	...N	AA	MC	K	ER	EG				
534 202		20							MO	O	EA	BG
534 203		40										
Ordering example												
534 201	MAS	10	500N	AA	MC	K	ER	EG				

Ordering table							
Size	10	20	40	Condi- tions	Code	Enter code	
M Module No.	534 201	534 202	534 203				
Function	Fluidic Muscle with screwed connections					MAS	MAS
Internal dia. [mm]	10	20	40		-...		
Nominal length [mm]	40 ... 9000	60 ... 9000	120 ... 9000		-...N		
Material	Standard material (chloroprene)				-AA	-AA	
Connection type	Fluidic Muscle open at one end				-MC		
	Fluidic Muscle open at both ends				-MO		
Connector type	Screwed connections with force compensator				-K		
	Screwed connections without force compensator				-O		
O Adapters, supplied loose	1 adapter for radial air supply, at one end			1	-ER		
	1 adapter for axial air supply, at one end			1	-EA		
	2 adapters for radial air supply, at both ends			2	-BR		
	2 adapters for axial air supply, at both ends			2	-BA		
	1 adapter for radial and 1 adapter for axial air supply			2	-RA		
Mountings, supplied loose	1 threaded rod for mounting, at one end			3	-EG		
	2 threaded rods for mounting, at both ends			4	-BG		

- 1 ER, EA Not in combination with connection type MO.
- 2 BR, BA, RA Not in combination with connection type MC.
- 3 EG In combination with connection type MO only permissible in combination with adapter BR, RA.
- 4 BG In combination with connection type MC only permissible in combination with adapter ER.
- In combination with connection type MO only permissible in combination with adapter BR.

Transfer order code

Fluidic Muscle MAS, with screwed connections

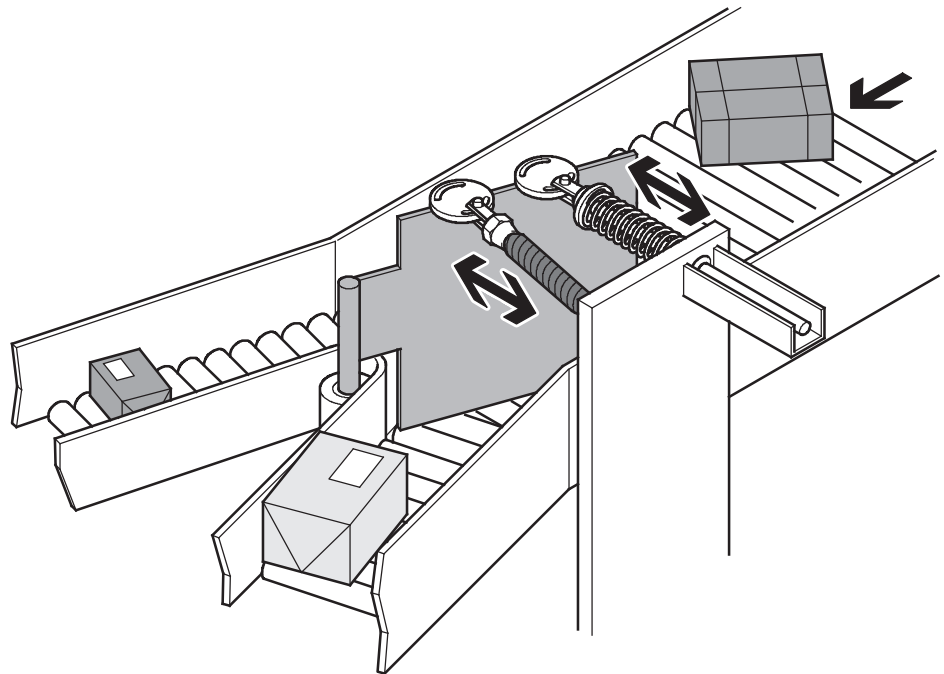
FESTO

Application example

Force and dynamism

Drive for sorting

The ideal drive for sorting tasks and stop functions in delivery processes thanks to the muscle's high speed and good acceleration behaviour. The short response times mean that cycle rates can be increased considerably.

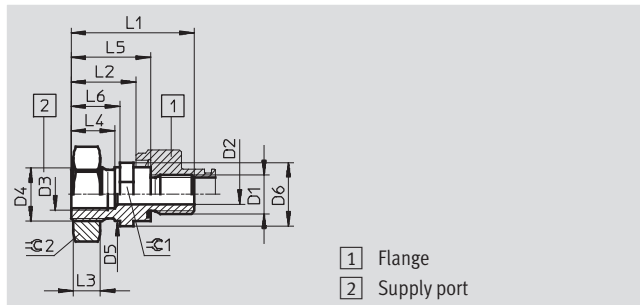


Fluidic Muscle MAS, with screwed connections

Accessories

Axial adapter MXAD-A (order code EA/BA/RA)

Material:
Adapter: Anodised aluminium
Nut: Brass
Seal: Nitrile rubber

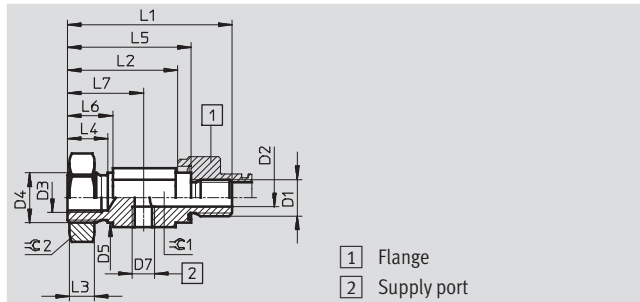


Dimensions and ordering data									
For size	D1	D2 Ø	D3	D4	D5 Ø h11	D6 Ø	L1	L2	L3
10	M10x1.25	5	G $\frac{1}{8}$	M16x1.5	16	20	39.9	25.9	8
20	M16x1.5	8	G $\frac{1}{4}$	M22x1.5	22	26	50.5	26.5	11
40	M20x1.5	10	G $\frac{3}{8}$	M30x1.5	30	40	73.5	45.5	8

For size	L4	L5	L6	≈C1	≈C2	Weight [g]	Part No.	Type
10	15.4	29.9	17.4	17	24	33	534 400	MXAD-A10
20	18	32.5	20	24	32	69	534 402	MXAD-A16
40	35	53.5	38	36	46	184	534 404	MXAD-A20

Radial adapter MXAD-R (order code ER/BR/RA)

Material:
Adapter: Anodised aluminium
Nut: Brass
Seal: Nitrile rubber



Dimensions and ordering data									
For size	D1	D2 Ø	D3	D4	D5 Ø h11	D7	L1	L2	L3
10	M10x1.25	5	M10x1.25	M16x1.5	16	M5	55.5	41.5	8
20	M16x1.5	8	M10x1.25	M22x1.5	22	G $\frac{1}{8}$	72.5	48.5	11
40	M20x1.5	10	M16x1.5	M30x1.5	30	G $\frac{1}{4}$	103.5	75.5	8

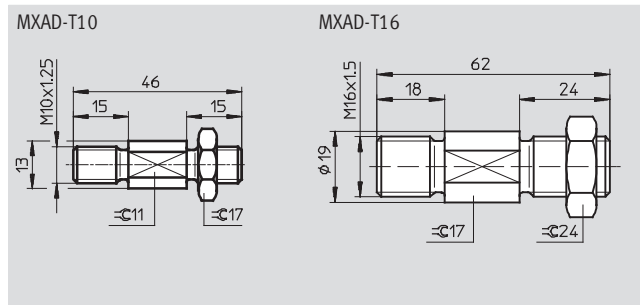
For size	L4	L5	L6	L7	≈C1	≈C2	Weight [g]	Part No.	Type
10	15.4	45.5	17.4	26.7	17	24	44	534 401	MXAD-R10
20	18	54.5	20	33.5	24	32	109	534 403	MXAD-R16
40	35	83.5	38	56	36	46	263	534 405	MXAD-R20

Fluidic Muscle MAS, with screwed connections

Accessories

Threaded rod MXAD-T
(order code EG/BG)

Material:
Aluminium



Dimensions and ordering data				
For size	Suitable for threaded connection	Weight [g]	Part No.	Type
10/20	M10x1.25	40	187 597	MXAD-T10
40	M16x1.5	140	187 609	MXAD-T16

Ordering data				Technical data → piston rod attachment			
Designation	For size	Part No.	Type	Designation	For size	Part No.	Type
Rod eye SGS¹⁾				Coupling piece KSG¹⁾			
	10	9 261	SGS-M10x1,25		10	32 963	KSG-M10x1,25
	20	9 261	SGS-M10x1,25		20	32 963	KSG-M10x1,25
	40	9 263	SGS-M16x1,5		40	32 965	KSG-M16x1,5
Rod clevis SGA				Coupling piece KSZ¹⁾			
	10	32 954	SGA-M10x1,25		10	36 125	KSZ-M10x1,25
	20	32 954	SGA-M10x1,25		20	36 125	KSZ-M10x1,25
	40	10 768	SGA-M16x1,5		40	36 127	KSZ-M16x1,5
Rod clevis SG¹⁾							
	10	6 144	SG-M10x1,25				
	20	6 144	SG-M10x1,25				
	40	6 146	SG-M16x1,5				

1) Threaded rod MXAD-T... is required.

Note
When replacing an existing Fluidic Muscle MAS and the corresponding mounting accessories → 7

Fluidic Muscle DMSP/MAS

Sizing



Example 1

Lifting a constant load

A Fluidic Muscle is to be used to engage free of forces with a constant load of 80 kg on a supporting surface and raise this a distance of 100 mm. The operating pressure is to be 6 bar.

The size (diameter and nominal length) of the fluidic muscle is to be found.



Note

The sizing should be performed using the Fluidic Muscle sizing software, as the diagrams describe only a muscle of standard length (standard length =

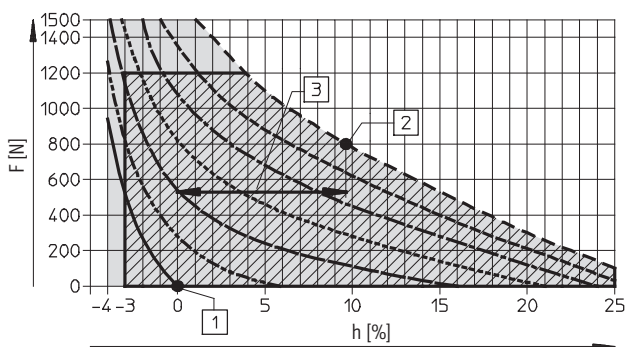
10x internal dia.). The software is available at the address www.festo.com.

The limits specified in the technical data must be complied with when using the muscle.

General conditions	Values
Required force at rest	0 N
Required stroke	100 mm
Required force in contracted state	approx. 800 N
Operating pressure	6 bar

Solution method

- | | | |
|---|--|--|
| Step 1
Determining the required muscle size | Determine the most suitable muscle diameter on the basis of the required force. The required force is 800 N. | MAS-20-... or MAS-40-... are available for selection. |
| Step 2
Entering load point 1 | Load point 1 is entered into the force/displacement diagram for the MAS-20-... | Force $F = 0$ N
Pressure $p = 0$ bar |
| Step 3
Entering load point 2 | Load point 2 is entered into the force/displacement graph. | Force $F = 800$ N
Pressure $p = 6$ bar |
| Step 4
Reading the length change | The change in the length of the muscle is read between the load points on the X axis (contraction in %). | Result:
9.6% contraction. |
| Step 5
Calculating the nominal length | The required nominal muscle length for a stroke of 100 mm is obtained by dividing by the contraction in %. | Result:
$100 \text{ mm} / 9.6\% \sim 1042 \text{ mm}$. |
| Step 6
Result | A Fluidic Muscle with a nominal length of 1042 mm should be ordered. | In order to attach a load of 80 kg free of forces and lift this 100 mm, a MAS-20-1042N-AA-... is required. |



- 1 Load point 1
- 2 Load point 2
- 3 Length change = 9.6%

Fluidic Muscle DMSP/MAS

Sizing

Example 2

Use as a tension spring

In this example, the muscle is to be used as a tension spring.

The size (diameter and nominal length) of the fluidic muscle is to be found.



Note

Sizing should be performed using the Fluidic Muscle sizing software, as the diagrams describe only a muscle of standard length (standard length =

10x internal dia.). The software is available at the address www.festo.com.

The limits specified in the technical data must be complied with when using the muscle.

General conditions	Values
Required force in extended state	2000 N
Required force in contracted state	1000 N
Required stroke (spring length)	50 mm
Operating pressure	2 bar

Solution method

Step 1

Determining the required muscle size

Determine the most suitable muscle diameter on the basis of the required force. The required force is 2000 N, therefore an MAS-40-... is selected.

Step 2

Entering load point 1

Load point 1 is entered into the force/displacement diagram for the MAS-40-...

Force $F = 2000$ N
Pressure $p = 2$ bar

Step 3

Entering load point 2

Load point 2 is entered into the force/displacement graph.

Force $F = 1000$ N
Pressure $p = 2$ bar

Step 4

Reading the length change

The change in the length of the muscle is read between the load points on the X axis (contraction in %).

Result:
8.7% contraction.

Step 5

Calculating the nominal length

The required nominal muscle length for a stroke of 50 mm is obtained by dividing by the contraction in %.

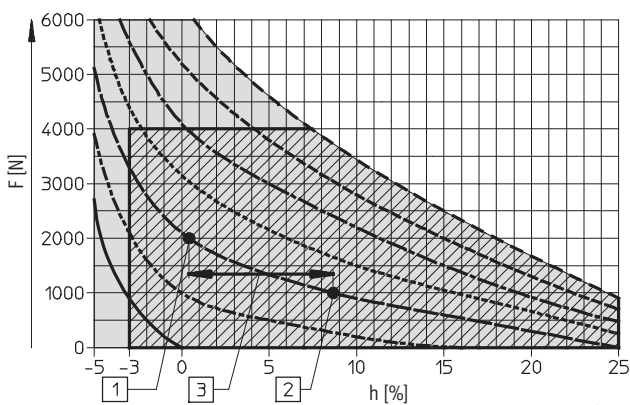
Result:
 $50 \text{ mm} / 8.7\% \sim 544 \text{ mm}$.

Step 6

Result

A Fluidic Muscle with a nominal length of 544 mm should be ordered.

For use as a tension spring with a force of 2000 N and a spring travel of 50 mm, a ... is required.



- 0 bar —————
- 1 bar - - - - -
- 2 bar — - - - -
- 3 bar - - - - -
- 4 bar — - - - -
- 5 bar - - - - -
- 6 bar - - - - -

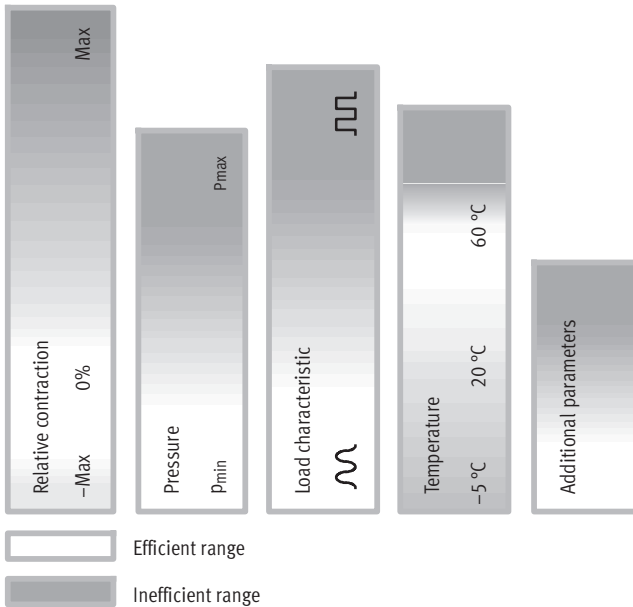
- 1 Load point 1
- 2 Load point 2
- 3 Length change = 8.7%

Fluidic Muscle DMSP/MAS

Sizing

Service life (bar height = meaning / influence)

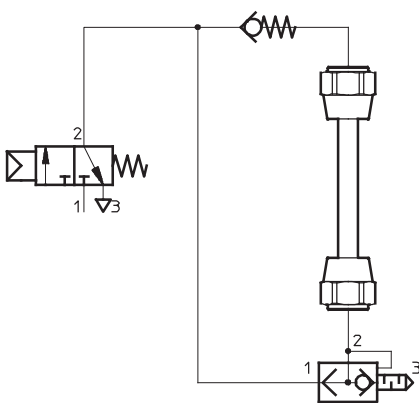
Optimisation through selection of suitable parameters



The service life of the fluidic muscle is between 100000 and 10 million switching cycles for typical applications. Optimisations can be made using the information from the left diagram. The service life thus increases due to a reduction in the

relative contraction (use of a longer muscle). It is also recommended that the pressure be reduced, which is possible because the fluidic muscle is more powerful with lower relative contraction. This measure also improves the service life.

Reducing the thermal load



The service life of the Fluidic Muscle depends on the contraction, the operating pressure and the temperature. High operating frequencies or high loads can lead to a temperature rise. Targeted pressurisation on one side

and venting on the other side enables the thermal load on the component to be reduced and the service life of the fluidic muscle to be increased (only with fluidic muscle open at both ends).