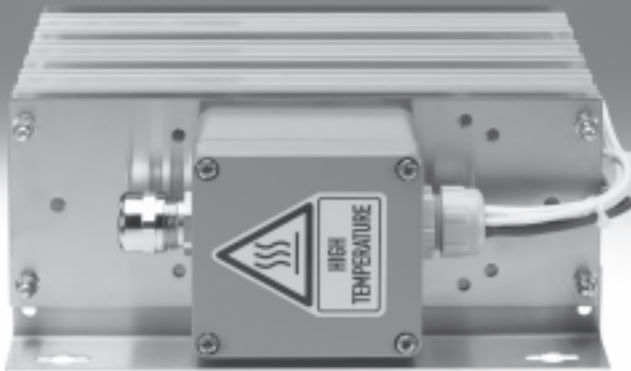


Braking resistors CACR

FESTO



Braking resistors CACR

Type codes

CACR – LE 2 – 100 – W500

Type	
CACR	Resistor

Connection technology	
LE	Open end
KL	Terminal

Pin	
2	2-pin

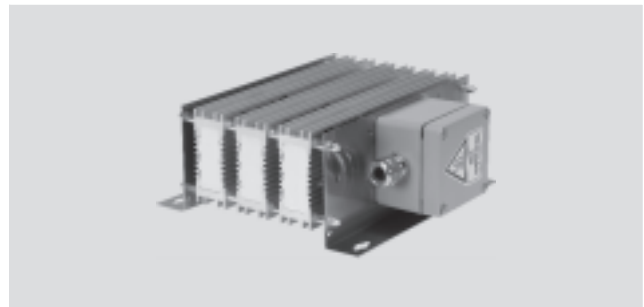
Resistance value	
33	33 Ω
67	67 Ω
72	72 Ω
100	100 Ω

Power	
500	500 W
1800	1,800 W
2400	3,600 W

Braking resistors CACR

Technical data

Braking resistor
CACR-LE2
CACR-KR2

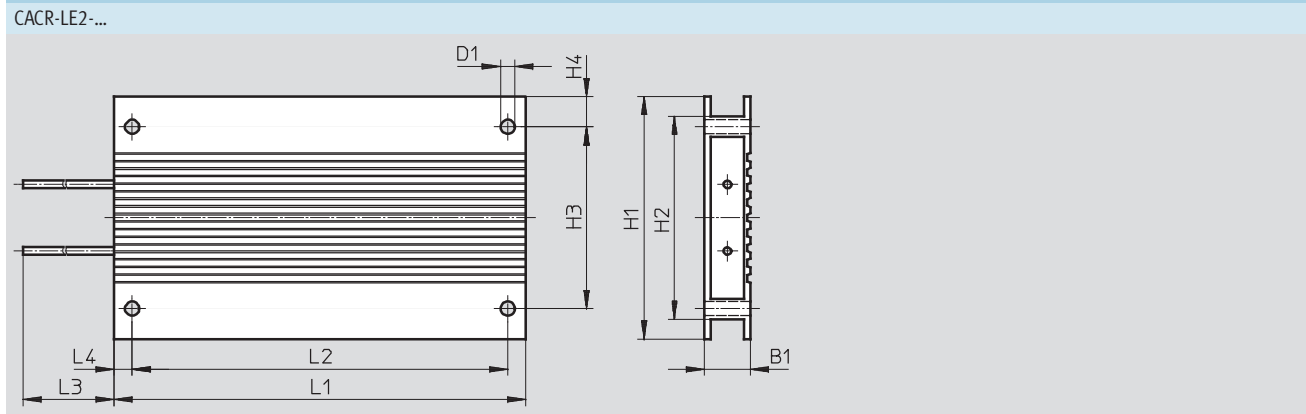


General technical data					
Type	CACR-				
	LE2-72-W500	LE2-100-W500	KL2-67-W1800	KL2-33-W2400	
Output at 35% duty cycle and 20 °C	[W]	500	500	1,800	3,600 ¹⁾
Rated output	[W]	200	200	720	1,440
Resistance value	[Ω]	72	100	67	33
Connection technology		Open end		Terminal	
Mounting position		Vertical			
		Free convection			
Type of mounting		Via accessories			
		Via through-hole			
Product weight	[g]	550	550	4,000	8,000

1) The output specification on the rating plate is reduced to 2,400 W because of UL and CSA certification.

Operating and environmental conditions	
Ambient temperature	[°C] 0 ... +50
Protection class	IP65
Certification	cULus recognized (OL)
Note on materials	RoHS-compliant Contains PWIS (paint-wetting impairment substances)

Dimensions Download CAD data → www.festo.com



Type	B1	D1 ∅	H1	H2	H3	H4	L1	L2	L3	L4
CACR-LE2-72-W500	±0.5	±0.1		±0.3	±0.2			±0.2	±40	
CACR-LE2-100-W500	15	4.7	80	67	60	10	216	204	510	6

Braking resistors CACR

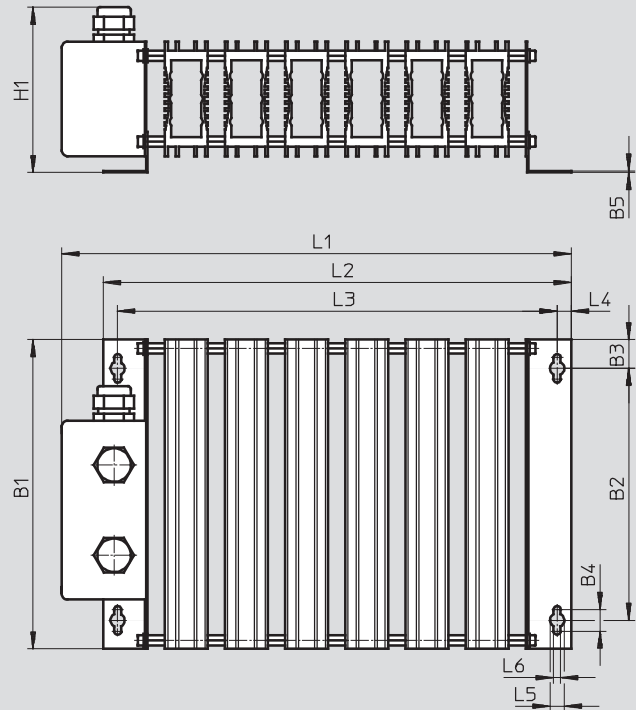
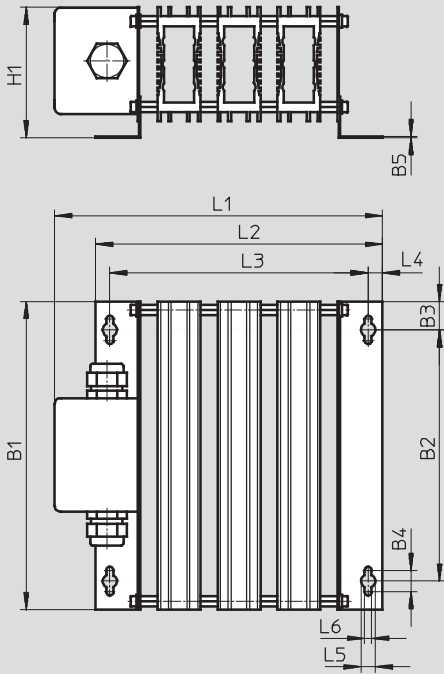
Technical data

Dimensions

Download CAD data → www.festo.com

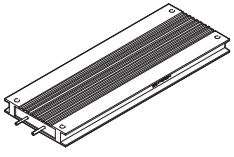
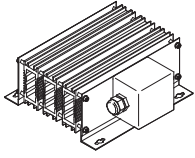
CACR-KL2-67-W1800

CACR-KL2-33-W2400



Type	B1	B2	B3	B4	B5	H1	L1	L2	L3	L4	L5	L6
CACR-KL2-67-W1800	216	176	20	15	1	91.5	230	201	181	10	10	5
CACR-KL2-33-W2400	216	176	20	15	1	115.5	356	327	307	10	10	5

Ordering data

Type	Resistance value [Ω]	Rated output [W]	Part No.	Type
	72	500	1336611	CACR-LE2-72-W500
	100	500	1336615	CACR-LE2-100-W500
	67	1,800	1336617	CACR-KL2-67-W1800
	33	3,600	1336619	CACR-KL2-33-W2400