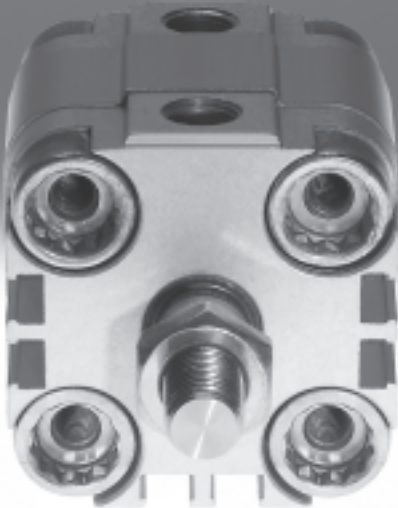








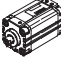
Compact cylinders ADVU/AEVU



Compact cylinders ADVU

Product range overview

FESTO

Function	Version	Type	Piston Ø [mm]	Stroke [mm]	Position sensing	
Double-acting	Basic version					
		ADVU Piston rod at one end	12, 16	5, 10, 15, 20, 25, 30, 40	1 ... 200	■
			20, 25	5, 10, 15, 20, 25, 30, 40, 50	1 ... 200	
			32, 40	5, 10, 15, 20, 25, 30, 40, 50, 60, 80	1 ... 300	
			50, 63	10, 15, 20, 25, 30, 40, 50, 60, 80	1 ... 300	
			80, 100, 125	10, 15, 20, 25, 30, 40, 50, 60, 80	1 ... 400	
		ADVU-...-S2 Through piston rod	12, 16, 20, 25	–	1 ... 200	■
			32, 40, 50, 63	–	1 ... 300	
			80, 100, 125	–	1 ... 400	
	Non-rotating with square piston rod					
		ADVULQ Piston rod at one end	12, 16	5, 10, 15, 20, 25, 30, 40	1 ... 200	■
			20, 25	5, 10, 15, 20, 25, 30, 40, 50	1 ... 200	
			32, 40	5, 10, 15, 20, 25, 30, 40, 50, 60, 80	1 ... 300	
			50, 63	10, 15, 20, 25, 30, 40, 50, 60, 80	1 ... 300	
			80, 100	10, 15, 20, 25, 30, 40, 50, 60, 80	1 ... 400	
		ADVULQ-...-S2 Through piston rod	12, 16, 20, 25	–	1 ... 200	■
			32, 40, 50, 63	–	1 ... 300	
			80, 100	–	1 ... 400	
	Non-rotating with yoke					
		ADVUL Piston rod at one end	12, 16	5, 10, 15, 20, 25, 30, 40	1 ... 200	■
			20, 25	5, 10, 15, 20, 25, 30, 40, 50	1 ... 200	
			32, 40	5, 10, 15, 20, 25, 30, 40, 50, 60, 80	1 ... 300	
			50, 63	10, 15, 20, 25, 30, 40, 50, 60, 80	1 ... 300	
			80, 100	10, 15, 20, 25, 30, 40, 50, 60, 80	1 ... 400	
		ADVUL-...-S2 Through piston rod	12, 16, 20, 25	–	1 ... 200	■
			32, 40, 50, 63	–	1 ... 300	
			80, 100	–	1 ... 400	
Reinforced piston rod						
	ADVU-...-S1 Piston rod at one end	25	–	1 ... 500	■	
		40, 63	–	1 ... 2000		
		100	–	1 ... 2000		

Compact cylinders ADVU



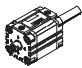


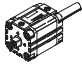
Product range overview

Type	Piston rod		S20 Hollow piston rod	S6 Heat resistant up to 120 °C	R3 Increased corrosion protection	→ Page/Internet
	with female thread	with male thread				
Basic version						
ADVU Piston rod at one end	■	■	-	■	■	11
ADVU-...-S2 Through piston rod	■	■	■ ∅ 12 ... 100	■ ∅ 12 ... 100	-	11
Non-rotating with square piston rod						
ADVULQ Piston rod at one end	■	■	-	■	-	22
ADVULQ-...-S2 Through piston rod	■	■	■ ∅ 16 ... 100	■	-	22
Non-rotating with yoke						
ADVUL Piston rod at one end	■	-	-	■	-	2
ADVUL-...-S2 Through piston rod	■	-	-	-	-	2
Reinforced piston rod						
ADVU-...-S1 Piston rod at one end	■	-	-	-	-	33

Compact cylinders AEVU

Product range overview



Function	Version	Type	Piston Ø [mm]	Stroke [mm]	Position sensing	
Single-acting	Basic version					
		AEVU Piston rod at one end, pushing	12	5, 10	1 ... 10	■
			16, 20, 25, 32, 40	5, 10, 15, 20, 25	1 ... 25	
			50, 63, 80, 100	10, 15, 20, 25	1 ... 25	
		AEVUZ Piston rod at one end, pulling	12	5, 10	1 ... 10	■
			16, 20, 25, 32, 40	5, 10, 15, 20, 25	1 ... 25	
			50, 63, 80, 100	10, 15, 20, 25	1 ... 25	
		AEVU-...-S2 Through piston rod, pushing	12	–	1 ... 10	■
			16, 20, 25, 32, 40, 50, 63, 80, 100	–	1 ... 25	
	Non-rotating with square piston rod					
	AEVULQ Piston rod at one end, pushing	16, 20, 25, 32, 40	5, 10, 15, 20, 25	1 ... 25	■	
		50, 63, 80, 100	10, 15, 20, 25	1 ... 25		
	AEVULQZ Piston rod at one end, pulling	16, 20, 25, 32, 40	5, 10, 15, 20, 25	1 ... 25	■	
		50, 63, 80, 100	10, 15, 20, 25	1 ... 25		
	AEVULQ-...-S2 Through piston rod, pushing	16, 20, 25, 32, 40, 50, 63, 80, 100	–	1 ... 25	■	

Compact cylinders AEVU

Product range overview

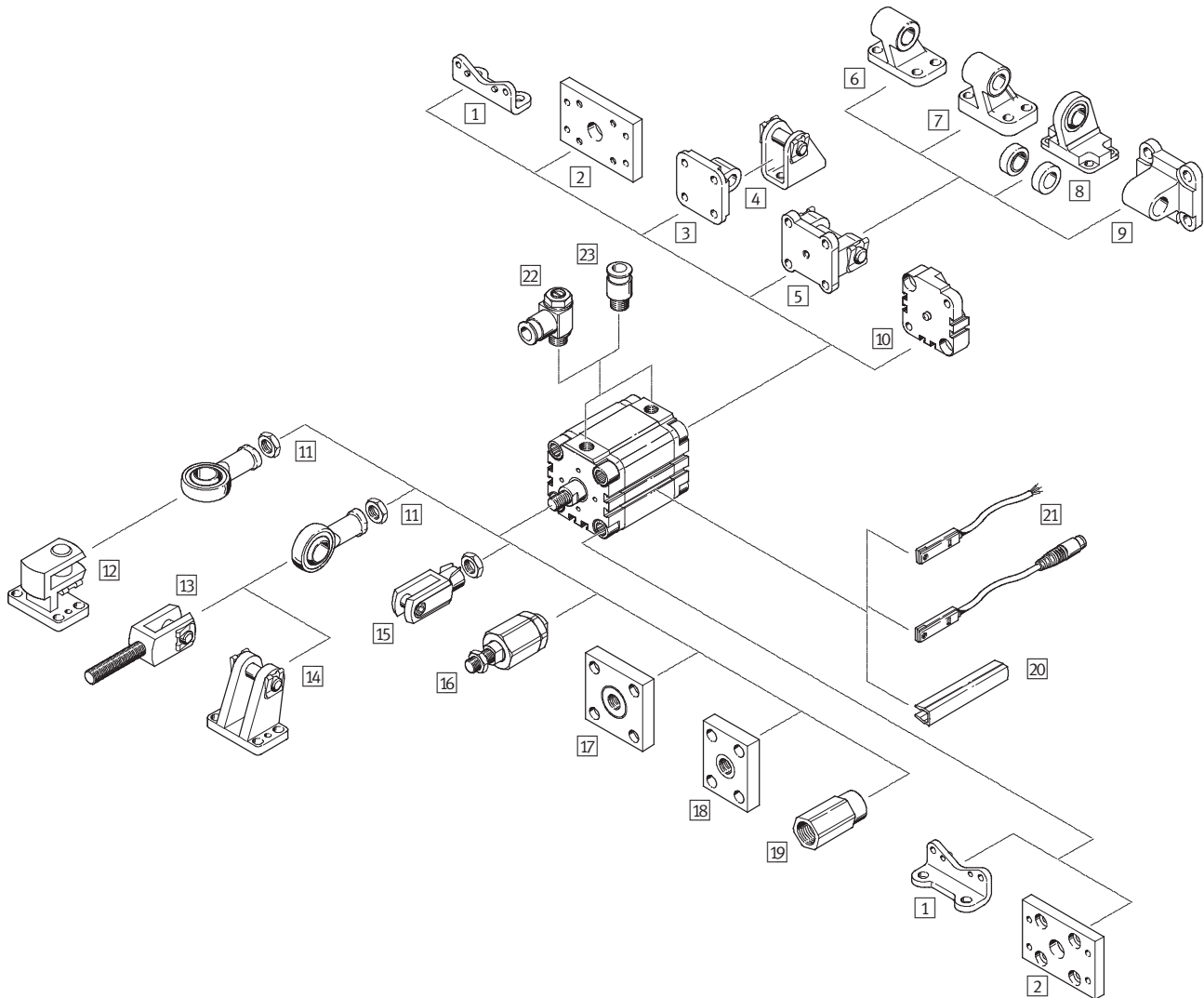
Type	Piston rod		S20 Hollow piston rod	S6 Heat resistant up to 120 °C	R3 Increased corrosion protection	→ Page/Internet
	with female thread	with male thread				
Basic version						
AEVU Piston rod at one end, pushing	■	■	-	■	-	36
AEVUZ Piston rod at one end, pulling	■	■	-	■	-	36
AEVU-...-S2 Through piston rod, pushing	■	■	■	■	-	36
Non-rotating with square piston rod						
AEVULQ Piston rod at one end, pushing	■	■	-	■	-	46
AEVULQZ Piston rod at one end, pulling	■	■	-	■	-	46
AEVULQ-...-S2 Through piston rod, pushing	■	■	■	■	-	46

Compact cylinders ADVU/AEVU

Peripherals overview



Piston \varnothing 12 ... 100 mm



Variants

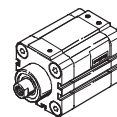
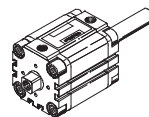
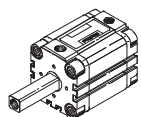
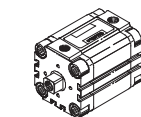
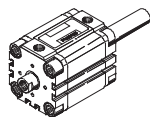
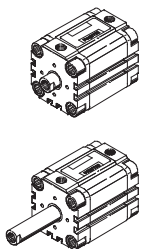
ADVU
AEVU(Z)

S2/S20

ADVULQ
AEVULQ(Z)

S2/S20

ADVU
S1



Compact cylinders ADVU/AEVU

Peripherals overview

FESTO

Mounting attachments and accessories								
	Brief description	ADVU AEVU(Z)		ADVULQ AEVULQ(Z)		ADVU	→ Page/Internet	
			S2/S20		S2/S20	S1		
1	Foot mounting HUA	For bearing and end cap	■	■	■	■	■	55
2	Flange mounting FUA	For bearing or end cap	■	■	■	■	■ ¹⁾	56
3	Swivel flange SUA for Ø 12 ... 25	For end cap	■	-	■	-	■	57
4	Clevis foot LBN/CRLBN	-	■	-	■	-	■	62
5	Swivel flange SUA for Ø 32 ... 100	For end cap	■	-	■	-	■	57
6	Clevis foot LN	-	■	-	■	-	■	62
7	Clevis foot LNG/CRLNG	-	■	-	■	-	■	62
8	Clevis foot LSN	With spherical bearing	■	-	■	-	■	62
9	Swivel flange SNCL	-	■	-	■	-	■	62
10	Adapter kit DPVU	For connecting two cylinders with identical piston Ø to form a multi-position cylinder	■	-	■	-	■	61
11	Rod eye SGS/CRSGS	With spherical bearing	■	■	-	-	■	63
12	Clevis foot, lateral LQG	-	■	■	-	-	■	63
13	Rod clevis SGA	With male thread	■	■	-	-	■	63
14	Clevis foot LBG	-	■	■	-	-	■	62
15	Rod clevis SG/CRSG	Permits a swivelling movement of the cylinder in one plane	■	■	■	■	■	63
16	Self-aligning rod coupler FK	For compensating radial and angular deviations	■	■	-	-	■	63
17	Coupling piece KSG	For compensating radial deviations	■	■	-	-	■	63
18	Coupling piece KSZ	For cylinders with non-rotating piston rod for compensating radial deviations	-	-	■	■	-	63
19	Adapter AD	For vacuum generator	-	■ S20	-	■ S20	-	63
20	Slot cover ABP-5-S	For protecting the sensor cable and keeping dirt out of the sensor slots	■	■	■	■	■	65
21	Proximity sensor SME/SMT-8	Can be integrated in the cylinder profile barrel	■	■	■	■	■	65
22	One-way flow control valve GRLA/GRLZ	For speed regulation	■	■	■	■	■	64
23	Push-in fitting QS	For connecting compressed air tubing with standard O.D.	■	■	■	■	■	quick star

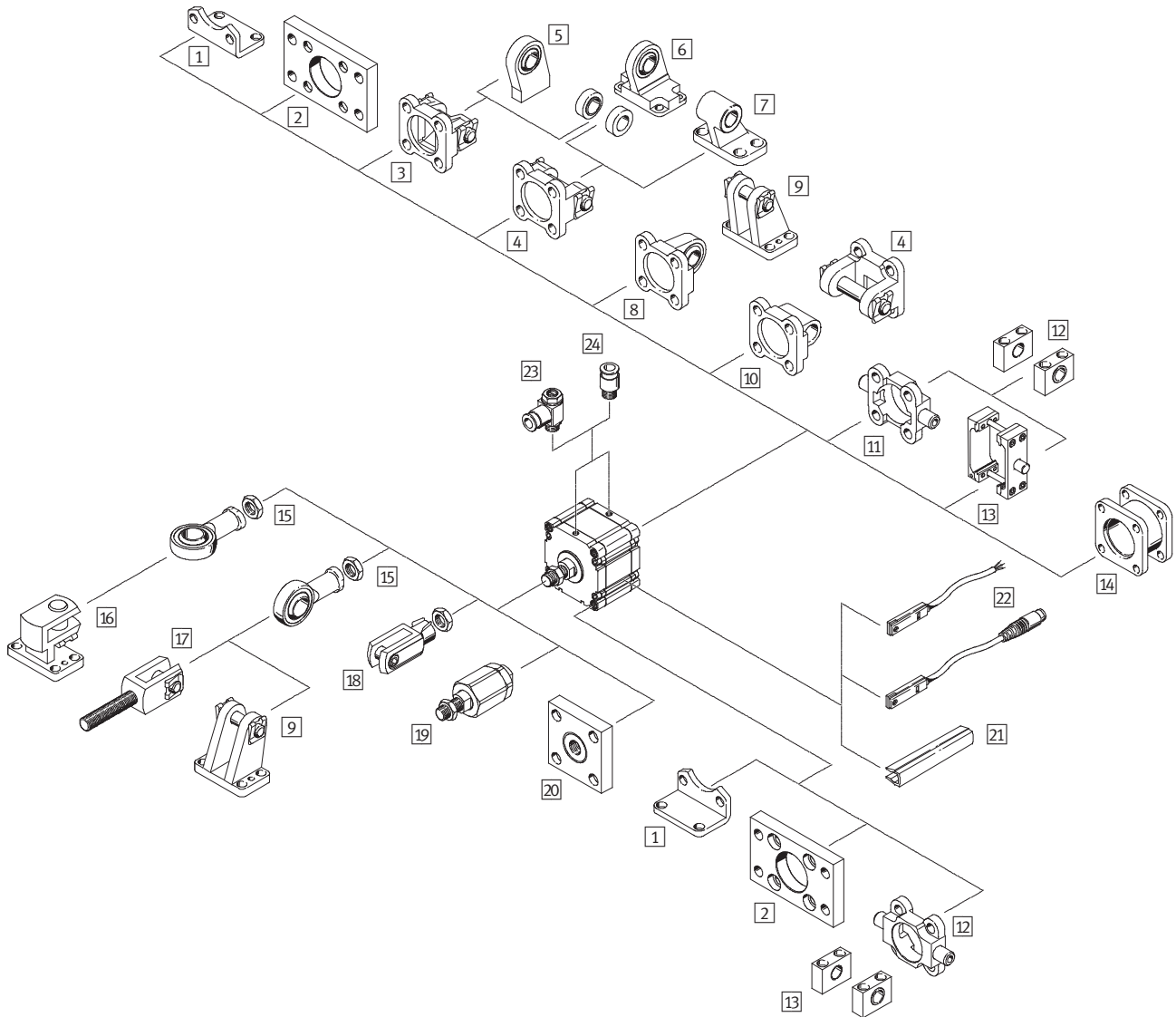
1) Only in combination with end cap

Compact cylinders ADVU/AEVU

Peripherals overview

FESTO

Piston \varnothing 125 mm



Compact cylinders ADVU/AEVU

Peripherals overview

FESTO

Mounting attachments and accessories					
	Brief description	ADVU		→ Page/Internet	
			S2		
1	Foot mounting HNC	For bearing and end cap	■	■	55
2	Flange mounting FNC	For bearing or end cap	■	■	56
3	Swivel flange SNC	For end cap	■	-	58
4	Swivel flange SNCB	For end cap	■	-	58
5	Clevis foot LSNSG	Weld-on, with spherical bearing	■	-	62
6	Clevis foot LSN	With spherical bearing	■	-	62
7	Clevis foot LN	-	■	-	62
8	Swivel flange SNCS	With spherical bearing for end cap	■	-	59
9	Clevis foot LBG	-	■	■	62
10	Swivel flange SNCL	For end cap	■	-	59
11	Trunnion flange ZNCF	For bearing or end cap	■	■	60
12	Trunnion support LNZG/CRLNZG	-	■	■	62
13	Trunnion mounting kit ZNCM	For mounting anywhere along the cylinder profile barrel	■	■	60
14	Adapter kit DPNC	For connecting two cylinders with identical piston \varnothing to form a multi-position cylinder	■	■	61
15	Rod eye SGS/CRSGS	With spherical bearing	■	■	63
16	Clevis foot, lateral LQG	-	■	■	63
17	Rod clevis SGA	With male thread	■	■	63
18	Rod clevis SG/CRSG	Permits a swivelling movement of the cylinder in one plane	■	■	63
19	Self-aligning rod coupler FK	For compensating radial and angular deviations	■	■	63
20	Coupling piece KSG	For compensating radial deviations	■	■	63
21	Slot cover ABP-5-S	For protecting the sensor cable and keeping dirt out of the sensor slots	■	■	65
22	Proximity sensor SME/SMT-8	Can be integrated in the cylinder profile barrel	■	■	65
23	One-way flow control valve GRLA/GRLZ	For speed regulation	■	■	64
24	Push-in fitting QS	For connecting compressed air tubing with standard O.D.	■	■	quick star

Compact cylinders ADVU/AEVU

Type code

ADVULQ – 50 – 80 – A – P – A – S6

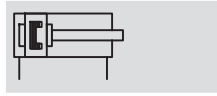
Type	
Double-acting	
ADVU	Basic version
ADVULQ	Square piston rod
Single-acting	
AEVU	Basic version
AEVUZ	Basic version, pulling
AEVULQ	Square piston rod
AEVULQZ	Square piston rod, pulling
Piston \varnothing [mm]	
Stroke [mm]	
Piston rod thread	
	Female thread
A	Male thread
Cushioning	
P	Flexible cushioning rings/plates at both ends
Position sensing	
A	For proximity sensing
Variant	
S1	Reinforced piston rod
S2	Through piston rod
S6	Heat resistant up to 120 °C
S20	Through, hollow piston rod
S26	Through piston rod, heat resistant up to 120 °C
S206	Through, hollow piston rod, heat resistant up to 120 °C
R3	Increased corrosion protection

Compact cylinders ADVU

Technical data – Double-acting, basic version

FESTO

Function



- \varnothing - Diameter
12 ... 125 mm

- | - Stroke length
1 ... 400 mm

-  - www.festo.com

Wearing parts kits
→ 21

Variants



S2



S6



S26



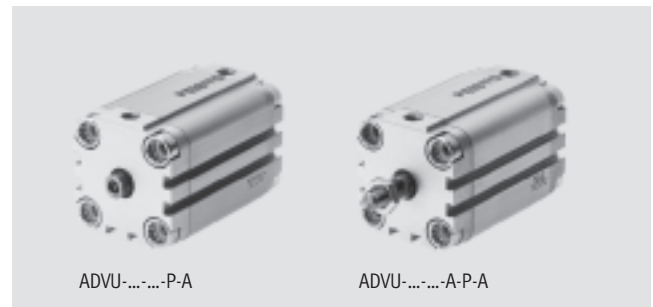
S20



S206

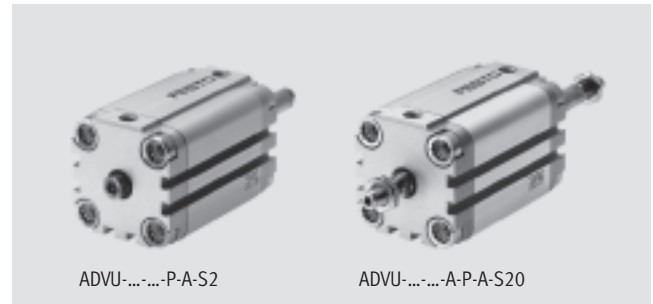


R3



ADVU-...-P-A

ADVU-...-A-P-A



ADVU-...-P-A-S2

ADVU-...-A-P-A-S20

General technical data												
Piston \varnothing	12	16	20	25	32	40	50	63	80	100	125	
Pneumatic connection	M5	M5	M5	M5	G $\frac{1}{8}$	G $\frac{1}{8}$	G $\frac{1}{8}$	G $\frac{1}{8}$	G $\frac{1}{8}$	G $\frac{1}{4}$	G $\frac{1}{4}$	
End of piston rod	Female thread	M3	M4	M5	M5	M6	M6	M8	M8	M10	M12	M16
	Male thread	M6	M8	M10x1.25			M12x1.25		M16x1.5	M20x1.5	M27x2	
Operating medium	Filtered compressed air, lubricated or unlubricated											
Constructional design	Piston											
	Piston rod											
Cushioning	Flexible cushioning rings/plates at both ends											
Position sensing	For proximity sensing											
Type of mounting	Via through-holes											-
	Via female thread											
	Via accessories											
Mounting position	Any											

• Note: This product conforms to ISO 1179-1 and to ISO 228-1

Operating pressure [bar]												
Piston \varnothing	12	16	20	25	32	40	50	63	80	100	125	
Piston rod at one end	1.2 ... 10		1.0 ... 10		0.8 ... 10			0.6 ... 10			0.5 ... 10	
Through piston rod S2/S20	1.5 ... 10	1.3 ... 10	1.2 ... 10		1.0 ... 10			0.8 ... 10			0.5 ... 10	

Ambient conditions			
Compact cylinder	Basic version		S6
Ambient temperature ¹⁾ [°C]	-20 ... +80		0 ... +120
Corrosion resistance class CRC ²⁾	2		3
ATEX	Specified types → www.festo.com		

1) Note operating range of proximity sensors

2) Corrosion resistance class 2 according to Festo standard 940 070

Components requiring moderate corrosion resistance. Externally visible parts with primarily decorative surface requirements which are in direct contact with a surrounding industrial atmosphere or media such as cooling or lubricating agents.

Corrosion resistance class 3 according to Festo standard 940 070

Components requiring higher corrosion resistance. External visible parts in direct contact with industrial atmospheres or media such as solvents and cleaning agents, with a predominantly functional requirement for the surface

Compact cylinders ADVU

Technical data – Double-acting, basic version

Forces [N] and impact energy [J]												
Piston Ø	12	16	20	25	32	40	50	63	80	100	125	
Theoretical force at 6 bar, advancing		68	121	188	295	483	754	1178	1870	3016	4712	7363
	S2/S20	51	90	141	247	415	686	1057	1750	2827	4418	6881
Theoretical force at 6 bar, retracting		51	90	141	247	415	686	1057	1750	2827	4418	6881
	S2/S20	51	90	141	247	415	686	1057	1750	2827	4418	6881
Max. impact energy at end positions		0.09	0.10	0.14	0.30	0.40	0.52	0.64	0.70	0.75	1.00	4.00
	S20	0.01	0.01	0.01	0.01	0.04	0.05	0.06	0.07	0.08	0.10	0.40

Permissible impact velocity:

$$v_{perm.} = \sqrt{\frac{2 \times E_{perm.}}{m_{dead} + m_{load}}}$$

$v_{perm.}$ Permissible impact velocity
 $E_{perm.}$ Max. impact energy
 m_{dead} Moving load (drive)
 m_{load} Moving work load

Note
 These specifications represent the maximum values which can be reached. Note the maximum permitted impact energy.

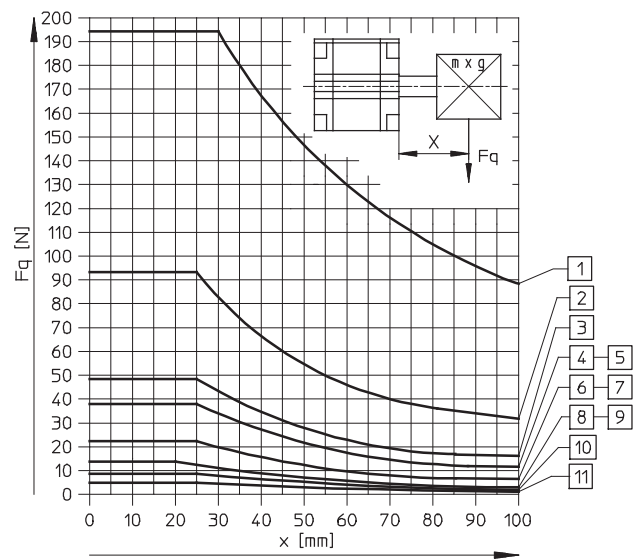
Maximum permissible load:

$$m_{load} = \frac{2 \times E_{perm.}}{v^2} - m_{dead}$$

Note
 Sizing software
 Pro Pneu
www.festo.com

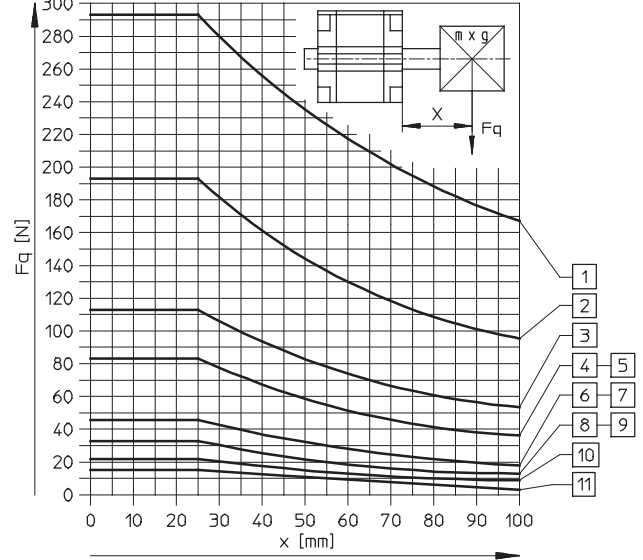
Max. lateral force F_q as a function of the projection x

Piston rod at one end



- 1 Ø 125 mm
- 2 Ø 100 mm
- 3 Ø 80 mm
- 4 Ø 63 mm
- 5 Ø 50 mm
- 6 Ø 40 mm
- 7 Ø 32 mm
- 8 Ø 25 mm

Through piston rod



- 9 Ø 20 mm
- 10 Ø 16 mm
- 11 Ø 12 mm

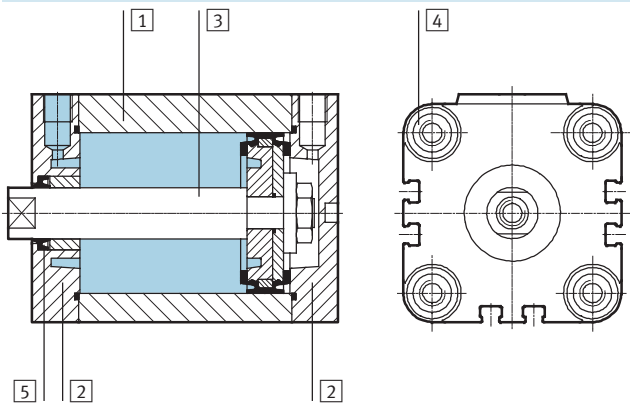
Compact cylinders ADVU

Technical data – Double-acting, basic version

Weights [g]											
Piston Ø	12	16	20	25	32	40	50	63	80	100	125
Product weight with 0 mm stroke	87	89	149	180	300	433	560	1059	1772	2797	3426
Additional weight per 10 mm stroke	15	15	23	28	40	59	72	107	168	177	168
Moving load with 0 mm stroke	8	12	20	26	49	63	112	134	307	614	1317
Additional load per 10 mm stroke	2	4	6	6	9	9	16	16	25	38	63

Materials

Sectional view



Compact cylinder	Basic version	S6	R3
1 Cylinder barrel	Wrought aluminium alloy	Wrought aluminium alloy	Wrought aluminium alloy
2 End cap	Wrought aluminium alloy	Wrought aluminium alloy	Wrought aluminium alloy
3 Piston rod	Ø 12 ... 32	High-alloy stainless steel	High-alloy stainless steel
	Ø 40 ... 125	High-alloy steel	High-alloy stainless steel
4 Flange screws	Ø 12 ... 16	High-alloy stainless steel	High-alloy stainless steel
	Ø 20 ... 125	Tempered steel	High-alloy stainless steel
5 Dynamic seals	Polyurethane	Fluorocarbon rubber	Polyurethane

Compact cylinders ADVU

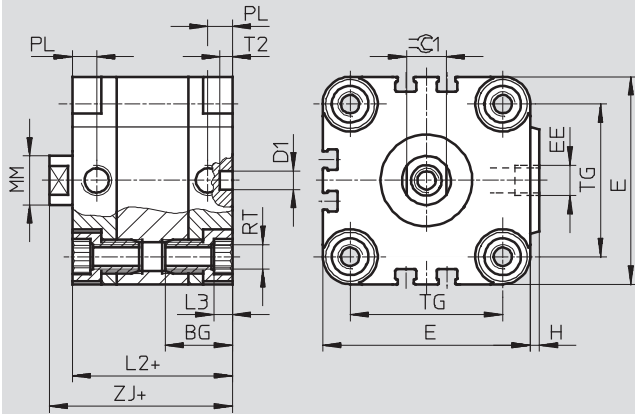
Technical data – Double-acting, basic version

FESTO

Dimensions – Basic cylinder

Download CAD data → www.festo.com

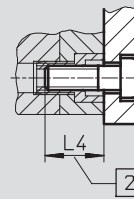
Piston Ø 12 ... 100 mm



- Note

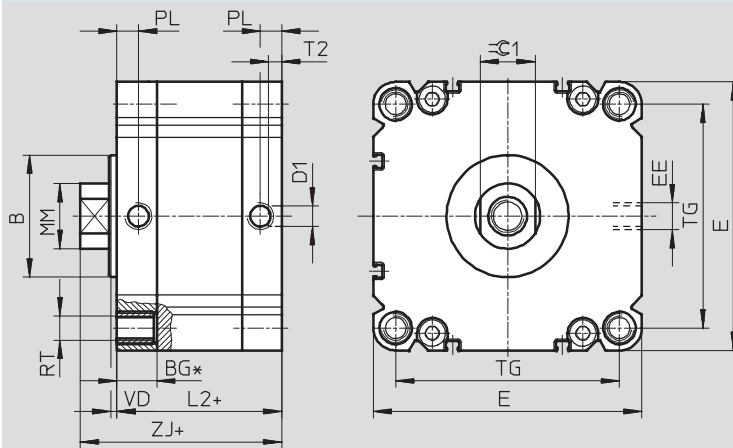
To attach cylinder Ø 12 and 16 mm from above, use only 2 screws diagonally or non-magnetic screws.

+ = plus stroke length



2 Minimum screw-in depth

Piston Ø 125 mm



* Minimum screw-in depth 18 mm.

Cannot be screwed through with socket head screws.

+ = plus stroke length

Ø	B	BG	D1	E	EE	H	L2	L3	L4	MM	PL	RT	T2	TG	VD	ZJ	~C1
[mm]	d11		Ø H9							Ø			-0.2				h13
12	-	18.5	6	29	M5	1	38	3	16	6	8	M4	4	18	-	42.5	5
16	-	18.5	6	29	M5	1	38	3	16	8	8	M4	4	18	-	42.5	7
20	-	18.5	6	36	M5	1.5	38	4	18	10	8	M5	4	22	-	42.5	9
25	-	18.5	6	40	M5	1.5	39.5	4	18	10	8	M5	4	26	-	45	9
32	-	21.5	6	50	G1/8	2	44.5	5	20	12	8	M6	4	32	-	50.5	10
40	-	21.5	6	60	G1/8	2.5	45.5	5	20	12	8	M6	4	42	-	52	10
50	-	22	6	68	G1/8	3	45.5	6	20	16	8	M8	4	50	-	53	13
63	-	24.5	8	87	G1/8	4	50	8	25	16	8	M10	4	62	-	57.5	13
80	-	27.5	8	107	G1/8	4	56	8	25	20	8.5	M10	4	82	-	64	17
100	-	32.5	8	128	G1/4	5	66.5	8	25	25	10.5	M10	4	103	-	76.5	22
125	60	19.5	10	132	G1/4	-	81	-	18	32	10.5	M12	6	110	4	99	27

- Note: This product conforms to ISO 1179-1 and to ISO 228-1

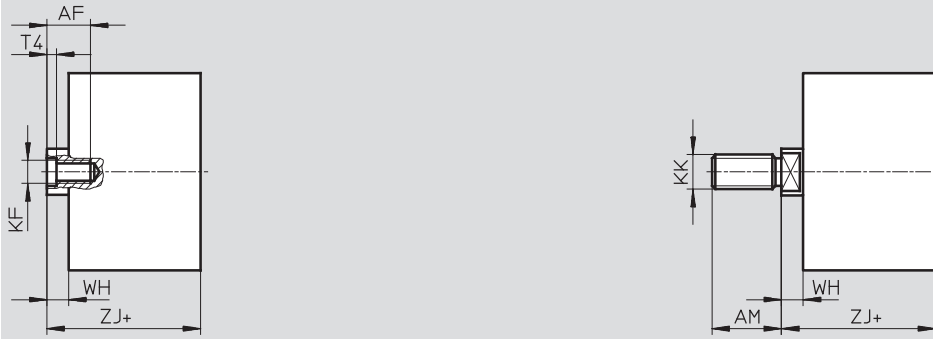
Compact cylinders ADVU

Technical data – Double-acting, basic version

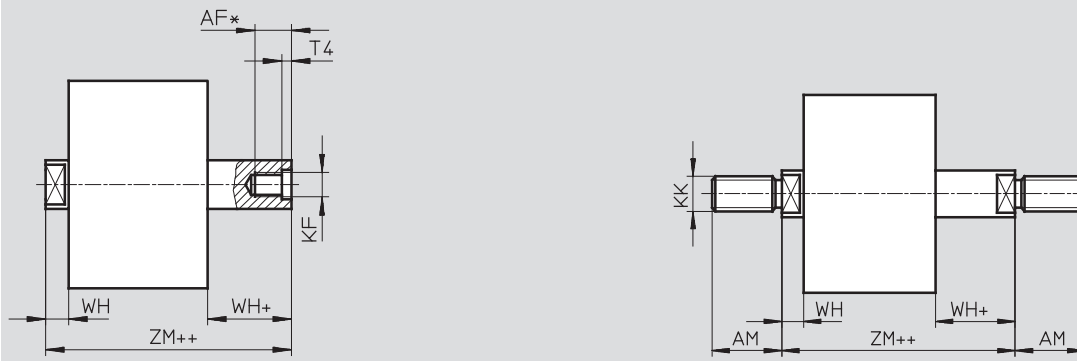
Dimensions – Variants

Download CAD data → www.festo.com

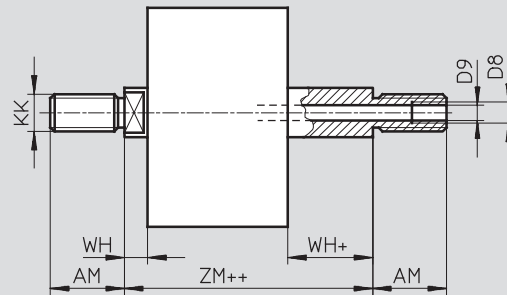
Basic version



S2 – Through piston rod



S20 – Through, hollow piston rod



- + = plus stroke length
- ++ = plus 2x stroke length


∅ [mm]	AF	AM	D8	D9 ∅	KF	KK	T4	WH	ZJ	ZM
12	8	16	–	2.3	M3	M6	1.5	4.5	42.5	47
16	10	20	–	3.2	M4	M8	1.5	4.5	42.5	47
20 ²⁾	12	22	–	3.8	M5	M10x1.25	2	4.5	42.5	47
25 ²⁾	12	22	–	3.8	M5	M10x1.25	2	5.5	45	50.5
32 ²⁾	14	22	–	4.5	M6	M10x1.25	2.6	6	50.5	56.5
40 ²⁾	14	22	–	4.5	M6	M10x1.25	2.6	6.5	52	58.5
50 ²⁾	16	24	–	6	M8	M12x1.25	3.3	7.5	53	60.5
63 ²⁾	16	24	–	6	M8	M12x1.25	3.3	7.5	57.5	65
80 ²⁾	20 ¹⁾	32	G ¹ / ₈	8	M10	M16x1.5	4.7	8	64	72
100 ²⁾	24 ¹⁾	40	G ¹ / ₄	11.7	M12	M20x1.5	6.1	10	76.5	86.5
125 ²⁾	25 ¹⁾	54	–	–	M16	M27x2	7	18	99	117

1) With a stroke < 5 mm, the maximum screw-in depth is reduced by 5 mm
 2) Nut for piston rod thread included in scope of delivery

Compact cylinders ADVU

Technical data – Double-acting, basic version


FESTO

Ordering data – Basic version						
Type	Piston Ø [mm]	Stroke [mm]	Piston rod with female thread		Piston rod with male thread	
			Part No.	Type	Part No.	Type
	12	5	156 500	ADVU-12-5-P-A	156 586	ADVU-12-5-A-P-A
		10	156 501	ADVU-12-10-P-A	156 587	ADVU-12-10-A-P-A
		15	156 502	ADVU-12-15-P-A	156 588	ADVU-12-15-A-P-A
		20	156 503	ADVU-12-20-P-A	156 589	ADVU-12-20-A-P-A
		25	156 504	ADVU-12-25-P-A	156 590	ADVU-12-25-A-P-A
		30	156 505	ADVU-12-30-P-A	156 591	ADVU-12-30-A-P-A
		40	156 506	ADVU-12-40-P-A	156 592	ADVU-12-40-A-P-A
		16	5	156 507	ADVU-16-5-P-A	156 593
	10		156 508	ADVU-16-10-P-A	156 594	ADVU-16-10-A-P-A
	15		156 509	ADVU-16-15-P-A	156 595	ADVU-16-15-A-P-A
	20		156 510	ADVU-16-20-P-A	156 596	ADVU-16-20-A-P-A
	25		156 511	ADVU-16-25-P-A	156 597	ADVU-16-25-A-P-A
	30		156 512	ADVU-16-30-P-A	156 598	ADVU-16-30-A-P-A
	40		156 513	ADVU-16-40-P-A	156 599	ADVU-16-40-A-P-A
	20		5	156 514	ADVU-20-5-P-A	156 600
		10	156 515	ADVU-20-10-P-A	156 601	ADVU-20-10-A-P-A
		15	156 516	ADVU-20-15-P-A	156 602	ADVU-20-15-A-P-A
		20	156 517	ADVU-20-20-P-A	156 603	ADVU-20-20-A-P-A
		25	156 518	ADVU-20-25-P-A	156 604	ADVU-20-25-A-P-A
		30	156 519	ADVU-20-30-P-A	156 605	ADVU-20-30-A-P-A
		40	156 520	ADVU-20-40-P-A	156 606	ADVU-20-40-A-P-A
		50	156 521	ADVU-20-50-P-A	156 607	ADVU-20-50-A-P-A
	25	5	156 522	ADVU-25-5-P-A	156 608	ADVU-25-5-A-P-A
		10	156 523	ADVU-25-10-P-A	156 609	ADVU-25-10-A-P-A
		15	156 524	ADVU-25-15-P-A	156 610	ADVU-25-15-A-P-A
		20	156 525	ADVU-25-20-P-A	156 611	ADVU-25-20-A-P-A
		25	156 526	ADVU-25-25-P-A	156 612	ADVU-25-25-A-P-A
		30	156 527	ADVU-25-30-P-A	156 613	ADVU-25-30-A-P-A
40		156 528	ADVU-25-40-P-A	156 614	ADVU-25-40-A-P-A	
50		156 529	ADVU-25-50-P-A	156 615	ADVU-25-50-A-P-A	
32	5	156 530	ADVU-32-5-P-A	156 616	ADVU-32-5-A-P-A	
	10	156 531	ADVU-32-10-P-A	156 617	ADVU-32-10-A-P-A	
	15	156 532	ADVU-32-15-P-A	156 618	ADVU-32-15-A-P-A	
	20	156 533	ADVU-32-20-P-A	156 619	ADVU-32-20-A-P-A	
	25	156 534	ADVU-32-25-P-A	156 620	ADVU-32-25-A-P-A	
	30	156 535	ADVU-32-30-P-A	156 621	ADVU-32-30-A-P-A	
	40	156 536	ADVU-32-40-P-A	156 622	ADVU-32-40-A-P-A	
	50	156 537	ADVU-32-50-P-A	156 623	ADVU-32-50-A-P-A	
	60	156 538	ADVU-32-60-P-A	156 624	ADVU-32-60-A-P-A	
	80	156 539	ADVU-32-80-P-A	156 625	ADVU-32-80-A-P-A	

Compact cylinders ADVU

Technical data – Double-acting, basic version

FESTO

Ordering data – Basic version							
Type	Piston Ø [mm]	Stroke [mm]	Piston rod with female thread		Piston rod with male thread		
			Part No.	Type	Part No.	Type	
	40	5	156 540	ADVU-40-5-P-A	156 626	ADVU-40-5-A-P-A	
		10	156 541	ADVU-40-10-P-A	156 627	ADVU-40-10-A-P-A	
		15	156 542	ADVU-40-15-P-A	156 628	ADVU-40-15-A-P-A	
		20	156 543	ADVU-40-20-P-A	156 629	ADVU-40-20-A-P-A	
		25	156 544	ADVU-40-25-P-A	156 630	ADVU-40-25-A-P-A	
		30	156 545	ADVU-40-30-P-A	156 631	ADVU-40-30-A-P-A	
		40	156 546	ADVU-40-40-P-A	156 632	ADVU-40-40-A-P-A	
		50	156 547	ADVU-40-50-P-A	156 633	ADVU-40-50-A-P-A	
		60	156 548	ADVU-40-60-P-A	156 634	ADVU-40-60-A-P-A	
	80	156 549	ADVU-40-80-P-A	156 635	ADVU-40-80-A-P-A		
	50	50	10	156 550	ADVU-50-10-P-A	156 636	ADVU-50-10-A-P-A
			15	156 551	ADVU-50-15-P-A	156 637	ADVU-50-15-A-P-A
			20	156 552	ADVU-50-20-P-A	156 638	ADVU-50-20-A-P-A
			25	156 553	ADVU-50-25-P-A	156 639	ADVU-50-25-A-P-A
			30	156 554	ADVU-50-30-P-A	156 640	ADVU-50-30-A-P-A
			40	156 555	ADVU-50-40-P-A	156 641	ADVU-50-40-A-P-A
			50	156 556	ADVU-50-50-P-A	156 642	ADVU-50-50-A-P-A
			60	156 557	ADVU-50-60-P-A	156 643	ADVU-50-60-A-P-A
			80	156 558	ADVU-50-80-P-A	156 644	ADVU-50-80-A-P-A
	63	63	10	156 559	ADVU-63-10-P-A	156 645	ADVU-63-10-A-P-A
			15	156 560	ADVU-63-15-P-A	156 646	ADVU-63-15-A-P-A
			20	156 561	ADVU-63-20-P-A	156 647	ADVU-63-20-A-P-A
			25	156 562	ADVU-63-25-P-A	156 648	ADVU-63-25-A-P-A
			30	156 563	ADVU-63-30-P-A	156 649	ADVU-63-30-A-P-A
			40	156 564	ADVU-63-40-P-A	156 650	ADVU-63-40-A-P-A
			50	156 565	ADVU-63-50-P-A	156 651	ADVU-63-50-A-P-A
			60	156 566	ADVU-63-60-P-A	156 652	ADVU-63-60-A-P-A
			80	156 567	ADVU-63-80-P-A	156 653	ADVU-63-80-A-P-A
	80	80	10	156 568	ADVU-80-10-P-A	156 654	ADVU-80-10-A-P-A
			15	156 569	ADVU-80-15-P-A	156 655	ADVU-80-15-A-P-A
			20	156 570	ADVU-80-20-P-A	156 656	ADVU-80-20-A-P-A
			25	156 571	ADVU-80-25-P-A	156 657	ADVU-80-25-A-P-A
			30	156 572	ADVU-80-30-P-A	156 658	ADVU-80-30-A-P-A
			40	156 573	ADVU-80-40-P-A	156 659	ADVU-80-40-A-P-A
			50	156 574	ADVU-80-50-P-A	156 660	ADVU-80-50-A-P-A
			60	156 575	ADVU-80-60-P-A	156 661	ADVU-80-60-A-P-A
80			156 576	ADVU-80-80-P-A	156 662	ADVU-80-80-A-P-A	
100	100	10	156 577	ADVU-100-10-P-A	156 663	ADVU-100-10-A-P-A	
		15	156 578	ADVU-100-15-P-A	156 664	ADVU-100-15-A-P-A	
		20	156 579	ADVU-100-20-P-A	156 665	ADVU-100-20-A-P-A	
		25	156 580	ADVU-100-25-P-A	156 666	ADVU-100-25-A-P-A	
		30	156 581	ADVU-100-30-P-A	156 667	ADVU-100-30-A-P-A	
		40	156 582	ADVU-100-40-P-A	156 668	ADVU-100-40-A-P-A	
		50	156 583	ADVU-100-50-P-A	156 669	ADVU-100-50-A-P-A	
		60	156 584	ADVU-100-60-P-A	156 670	ADVU-100-60-A-P-A	
		80	156 585	ADVU-100-80-P-A	156 671	ADVU-100-80-A-P-A	

Compact cylinders ADVU

Technical data – Double-acting, basic version







Ordering data – Basic version						
Type	Piston Ø [mm]	Stroke [mm]	Piston rod with female thread		Piston rod with male thread	
			Part No.	Type	Part No.	Type
	125	10	175 750	ADVU-125-10-P-A	175 762	ADVU-125-10-A-P-A
		15	175 751	ADVU-125-15-P-A	175 763	ADVU-125-15-A-P-A
		20	175 752	ADVU-125-20-P-A	175 764	ADVU-125-20-A-P-A
		25	175 753	ADVU-125-25-P-A	175 765	ADVU-125-25-A-P-A
		30	175 754	ADVU-125-30-P-A	175 766	ADVU-125-30-A-P-A
		40	175 755	ADVU-125-40-P-A	175 767	ADVU-125-40-A-P-A
		50	175 756	ADVU-125-50-P-A	175 768	ADVU-125-50-A-P-A
		60	175 757	ADVU-125-60-P-A	175 769	ADVU-125-60-A-P-A
		80	175 758	ADVU-125-80-P-A	175 770	ADVU-125-80-A-P-A

Compact cylinders ADVU

Technical data – Double-acting, basic version




FESTO

Ordering data – Variants						
Type	Piston Ø [mm]	Stroke [mm]	Piston rod with female thread		Piston rod with male thread	
			Part No.	Type	Part No.	Type
Variable stroke						
	12	1 ... 200	156 000	ADVU-12-...-P-A	156 040	ADVU-12-...-A-P-A
	16	1 ... 200	156 001	ADVU-16-...-P-A	156 041	ADVU-16-...-A-P-A
	20	1 ... 200	156 002	ADVU-20-...-P-A	156 042	ADVU-20-...-A-P-A
	25	1 ... 200	156 003	ADVU-25-...-P-A	156 043	ADVU-25-...-A-P-A
	32	1 ... 300	156 004	ADVU-32-...-P-A	156 044	ADVU-32-...-A-P-A
	40	1 ... 300	156 005	ADVU-40-...-P-A	156 045	ADVU-40-...-A-P-A
	50	1 ... 300	156 006	ADVU-50-...-P-A	156 046	ADVU-50-...-A-P-A
	63	1 ... 300	156 007	ADVU-63-...-P-A	156 047	ADVU-63-...-A-P-A
	80	1 ... 400	156 008	ADVU-80-...-P-A	156 048	ADVU-80-...-A-P-A
	100	1 ... 400	156 009	ADVU-100-...-P-A	156 049	ADVU-100-...-A-P-A
	125	1 ... 400	175 759	ADVU-125-...-P-A	175 771	ADVU-125-...-A-P-A
S2 – Through piston rod						
	12	1 ... 200	156 010	ADVU-12-...-P-A-S2	156 050	ADVU-12-...-A-P-A-S2
	16	1 ... 200	156 011	ADVU-16-...-P-A-S2	156 051	ADVU-16-...-A-P-A-S2
	20	1 ... 200	156 012	ADVU-20-...-P-A-S2	156 052	ADVU-20-...-A-P-A-S2
	25	1 ... 200	156 013	ADVU-25-...-P-A-S2	156 053	ADVU-25-...-A-P-A-S2
	32	1 ... 300	156 014	ADVU-32-...-P-A-S2	156 054	ADVU-32-...-A-P-A-S2
	40	1 ... 300	156 015	ADVU-40-...-P-A-S2	156 055	ADVU-40-...-A-P-A-S2
	50	1 ... 300	156 016	ADVU-50-...-P-A-S2	156 056	ADVU-50-...-A-P-A-S2
	63	1 ... 300	156 017	ADVU-63-...-P-A-S2	156 057	ADVU-63-...-A-P-A-S2
	80	1 ... 400	156 018	ADVU-80-...-P-A-S2	156 058	ADVU-80-...-A-P-A-S2
	100	1 ... 400	156 019	ADVU-100-...-P-A-S2	156 059	ADVU-100-...-A-P-A-S2
	125	1 ... 400	175 760	ADVU-125-...-P-A-S2	175 772	ADVU-125-...-A-P-A-S2
S6 – Heat resistant up to 120 °C						
	12	1 ... 200	156 030	ADVU-12-...-P-A-S6	156 090	ADVU-12-...-A-P-A-S6
	16	1 ... 200	156 031	ADVU-16-...-P-A-S6	156 091	ADVU-16-...-A-P-A-S6
	20	1 ... 200	156 032	ADVU-20-...-P-A-S6	156 092	ADVU-20-...-A-P-A-S6
	25	1 ... 200	156 033	ADVU-25-...-P-A-S6	156 093	ADVU-25-...-A-P-A-S6
	32	1 ... 300	156 034	ADVU-32-...-P-A-S6	156 094	ADVU-32-...-A-P-A-S6
	40	1 ... 300	156 035	ADVU-40-...-P-A-S6	156 095	ADVU-40-...-A-P-A-S6
	50	1 ... 300	156 036	ADVU-50-...-P-A-S6	156 096	ADVU-50-...-A-P-A-S6
	63	1 ... 300	156 037	ADVU-63-...-P-A-S6	156 097	ADVU-63-...-A-P-A-S6
	80	1 ... 400	156 038	ADVU-80-...-P-A-S6	156 098	ADVU-80-...-A-P-A-S6
	100	1 ... 400	156 039	ADVU-100-...-P-A-S6	156 099	ADVU-100-...-A-P-A-S6
	125	1 ... 400	175 761	ADVU-125-...-P-A-S6	175 773	ADVU-125-...-A-P-A-S6
S26 – Through piston rod, heat resistant up to 120 °C						
	12	1 ... 200	156 020	ADVU-12-...-P-A-S26	156 080	ADVU-12-...-A-P-A-S26
	16	1 ... 200	156 021	ADVU-16-...-P-A-S26	156 081	ADVU-16-...-A-P-A-S26
	20	1 ... 200	156 022	ADVU-20-...-P-A-S26	156 082	ADVU-20-...-A-P-A-S26
	25	1 ... 200	156 023	ADVU-25-...-P-A-S26	156 083	ADVU-25-...-A-P-A-S26
	32	1 ... 300	156 024	ADVU-32-...-P-A-S26	156 084	ADVU-32-...-A-P-A-S26
	40	1 ... 300	156 025	ADVU-40-...-P-A-S26	156 085	ADVU-40-...-A-P-A-S26
	50	1 ... 300	156 026	ADVU-50-...-P-A-S26	156 086	ADVU-50-...-A-P-A-S26
	63	1 ... 300	156 027	ADVU-63-...-P-A-S26	156 087	ADVU-63-...-A-P-A-S26
	80	1 ... 400	156 028	ADVU-80-...-P-A-S26	156 088	ADVU-80-...-A-P-A-S26
	100	1 ... 400	156 029	ADVU-100-...-P-A-S26	156 089	ADVU-100-...-A-P-A-S26

Compact cylinders ADVU

Technical data – Double-acting, basic version

FESTO

Ordering data – Variants						
Type	Piston Ø [mm]	Stroke [mm]	Piston rod with female thread		Piston rod with male thread	
			Part No.	Type	Part No.	Type
S20 – Through, hollow piston rod						
	12	1 ... 200	-		156 060	ADVU-12-...-A-P-A-S20
	16	1 ... 200			156 061	ADVU-16-...-A-P-A-S20
	20	1 ... 200			156 062	ADVU-20-...-A-P-A-S20
	25	1 ... 200			156 063	ADVU-25-...-A-P-A-S20
	32	1 ... 300			156 064	ADVU-32-...-A-P-A-S20
	40	1 ... 300			156 065	ADVU-40-...-A-P-A-S20
	50	1 ... 300			156 066	ADVU-50-...-A-P-A-S20
	63	1 ... 300			156 067	ADVU-63-...-A-P-A-S20
	80	1 ... 400			156 068	ADVU-80-...-A-P-A-S20
	100	1 ... 400			156 069	ADVU-100-...-A-P-A-S20
S206 – Through, hollow piston rod, heat resistant up to 120 °C						
	12	1 ... 200	-		156 070	ADVU-12-...-A-P-A-S206
	16	1 ... 200			156 071	ADVU-16-...-A-P-A-S206
	20	1 ... 200			156 072	ADVU-20-...-A-P-A-S206
	25	1 ... 200			156 073	ADVU-25-...-A-P-A-S206
	32	1 ... 300			156 074	ADVU-32-...-A-P-A-S206
	40	1 ... 300			156 075	ADVU-40-...-A-P-A-S206
	50	1 ... 300			156 076	ADVU-50-...-A-P-A-S206
	63	1 ... 300			156 077	ADVU-63-...-A-P-A-S206
	80	1 ... 400			156 078	ADVU-80-...-A-P-A-S206
	100	1 ... 400			156 079	ADVU-100-...-A-P-A-S206
R3 – Increased corrosion protection						
	12	1 ... 200	176 840	ADVU-12-...-P-A-R3	176 851	ADVU-12-...-A-P-A-R3
	16	1 ... 200	176 841	ADVU-16-...-P-A-R3	176 852	ADVU-16-...-A-P-A-R3
	20	1 ... 200	176 842	ADVU-20-...-P-A-R3	176 853	ADVU-20-...-A-P-A-R3
	25	1 ... 200	176 843	ADVU-25-...-P-A-R3	176 854	ADVU-25-...-A-P-A-R3
	32	1 ... 300	176 844	ADVU-32-...-P-A-R3	176 855	ADVU-32-...-A-P-A-R3
	40	1 ... 300	176 845	ADVU-40-...-P-A-R3	176 856	ADVU-40-...-A-P-A-R3
	50	1 ... 300	176 846	ADVU-50-...-P-A-R3	176 857	ADVU-50-...-A-P-A-R3
	63	1 ... 300	176 847	ADVU-63-...-P-A-R3	176 858	ADVU-63-...-A-P-A-R3
	80	1 ... 400	176 848	ADVU-80-...-P-A-R3	176 859	ADVU-80-...-A-P-A-R3
	100	1 ... 400	176 849	ADVU-100-...-P-A-R3	176 860	ADVU-100-...-A-P-A-R3
125	1 ... 400	176 850	ADVU-125-...-P-A-R3	176 861	ADVU-125-...-A-P-A-R3	

Compact cylinders ADVU

Technical data – Double-acting, basic version

Ordering data – Wearing parts kits			
	Part No.	Type	
Piston Ø	Basic version		S6 – Heat resistant up to 120 °C
12	121 115	ADVU-12-...-(A)-P-A ¹⁾	383 559 ADVU-12-...-(A)-P-A-S6 ²⁾
16	121 116	ADVU-16-...-(A)-P-A ¹⁾	383 560 ADVU-16-...-(A)-P-A-S6 ²⁾
20	121 117	ADVU-20-...-(A)-P-A ¹⁾	383 561 ADVU-20-...-(A)-P-A-S6 ²⁾
25	121 118	ADVU-25-...-(A)-P-A ¹⁾	383 562 ADVU-25-...-(A)-P-A-S6 ²⁾
32	121 119	ADVU-32-...-(A)-P-A ¹⁾	383 563 ADVU-32-...-(A)-P-A-S6 ¹⁾
40	121 120	ADVU-40-...-(A)-P-A ¹⁾	383 564 ADVU-40-...-(A)-P-A-S6 ¹⁾
50	121 121	ADVU-50-...-(A)-P-A ¹⁾	383 565 ADVU-50-...-(A)-P-A-S6 ¹⁾
63	121 122	ADVU-63-...-(A)-P-A ¹⁾	383 566 ADVU-63-...-(A)-P-A-S6 ¹⁾
80	121 123	ADVU-80-...-(A)-P-A ¹⁾	383 567 ADVU-80-...-(A)-P-A-S6 ¹⁾
100	121 124	ADVU-100-...-(A)-P-A ¹⁾	383 568 ADVU-100-...-(A)-P-A-S6 ¹⁾
125	380 423	ADVU-125-...-(A)-P-A ¹⁾	383 569 ADVU-125-...-(A)-P-A-S6 ¹⁾

1) Assembly grease included in scope of delivery

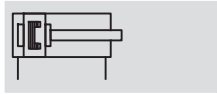
2) Assembly grease not included in scope of delivery. If required, please order separately under part no. 329 555 (20 ml)

Compact cylinders ADVULQ

Technical data – Double-acting, non-rotating with square piston rod

FESTO

Function



- Ø - Diameter
12 ... 100 mm

- l - Stroke length
1 ... 400 mm

-  - www.festo.com

Variants



S2



S6



S26



S20



S206




ADVULQ-...-P-A



ADVULQ-...-P-A-S2

General technical data											
Piston Ø	12	16	20	25	32	40	50	63	80	100	
Pneumatic connection	M5	M5	M5	M5	G1/8	G1/8	G1/8	G1/8	G1/8	G1/8	G1/4
End of piston rod	Female thread	M3	M4	M5	M5	M6	M6	M8	M8	M10	M12
	Male thread	M6	M8	M10x1.25			M12x1.25		M16x1.5	M20x1.5	
Operating medium	Filtered compressed air, lubricated or unlubricated										
Constructional design	Piston										
	Piston rod										
Cushioning	Flexible cushioning rings/plates at both ends										
Position sensing	For proximity sensing										
Type of mounting	Via through-holes										
	Via female thread										
	Via accessories										
Mounting position	Any										

-  - Note: This product conforms to ISO 1179-1 and to ISO 228-1

Operating pressure [bar]											
Piston Ø	12	16	20	25	32	40	50	63	80	100	
Piston rod at one end	1.3 ... 10		1.0 ... 10		0.8 ... 10			0.6 ... 10			
Through piston rod S2/S20	1.5 ... 10	1.3 ... 10	1.2 ... 10		1.0 ... 10			0.8 ... 10			

Ambient conditions		
Compact cylinder	Basic version	S6
Ambient temperature ¹⁾ [°C]	-20 ... +80	0 ... +120
Corrosion resistance class CRC ²⁾	2	2

1) Note operating range of proximity sensors

2) Corrosion resistance class 2 according to Festo standard 940 070

Components requiring moderate corrosion resistance. Externally visible parts with primarily decorative surface requirements which are in direct contact with a surrounding industrial atmosphere or media such as cooling or lubricating agents

Compact cylinders ADVULQ

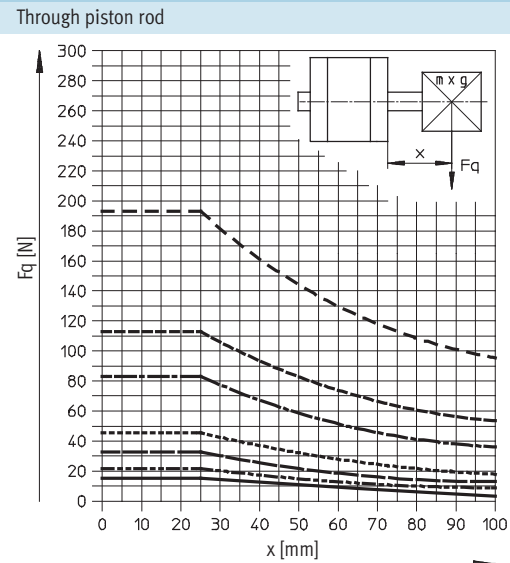
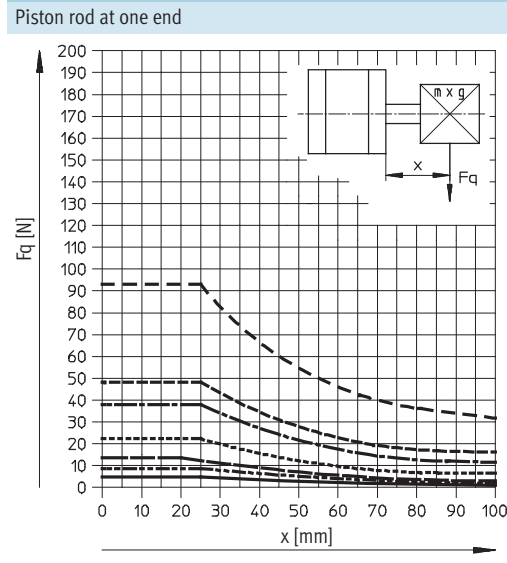
Technical data – Double-acting, non-rotating with square piston rod

Forces [N] and impact energy [J]											
Piston \varnothing	12	16	20	25	32	40	50	63	80	100	
Theoretical force at 6 bar, advancing		68	121	188	295	483	754	1178	1870	3016	4712
	S2/S20	51	90	141	247	415	686	1057	1750	2827	4418
Theoretical force at 6 bar, retracting		51	90	141	247	415	686	1057	1750	2827	4418
	S2/S20	51	90	141	247	415	686	1057	1750	2827	4418
Max. impact energy at end positions		0.07	0.10	0.14	0.30	0.40	0.52	0.64	0.70	0.75	1.00
	S20	0.01	0.01	0.01	0.01	0.04	0.05	0.06	0.07	0.08	0.10

Technical data – Square piston rod										
Piston \varnothing	12	16	20	25	32	40	50	63	80	100
Max. torque at the piston rod ¹⁾ [Nm]	0.10	0.20	0.45	0.45	0.80	0.80	1.10	1.10	1.50	3.00
Max. torsional backlash of piston rod [°]	±1.0	±0.9	±0.8	±0.8	±0.6	±0.6	±0.5	±0.5	±0.4	±0.4
Piston rod distortion [°/50 mm]	0.40	0.30	0.25	0.25	0.20	0.20	0.15	0.15	0.15	0.09

1) The max. torque must not be exceeded even when fitting attachments

Max. lateral force F_q as a function of the projection x



- \varnothing 12
- - - \varnothing 16
- \varnothing 20/25
- - - \varnothing 32/40
- \varnothing 50/63
- - - \varnothing 80
- - - \varnothing 100

- \varnothing 12
- - - \varnothing 16
- \varnothing 20/25
- - - \varnothing 32/40
- \varnothing 50/63
- - - \varnothing 80
- - - \varnothing 100

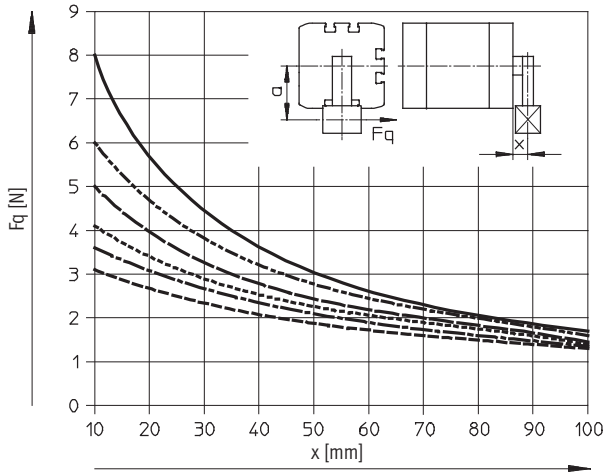
Compact cylinders ADVULQ

Technical data – Double-acting, non-rotating with square piston rod

Max. lateral force F_q as a function of the projection x

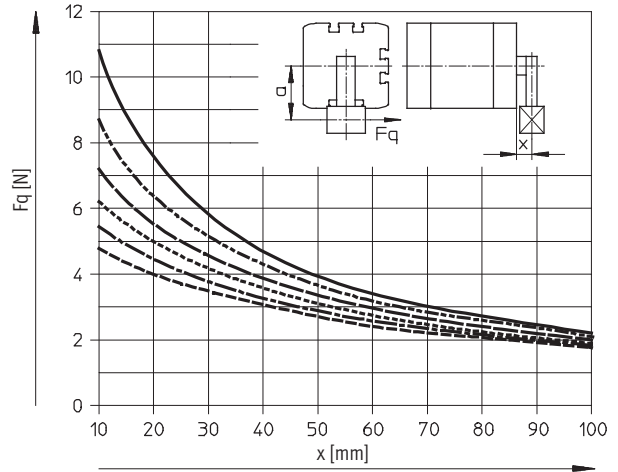
Q – square piston rod

Ø 12



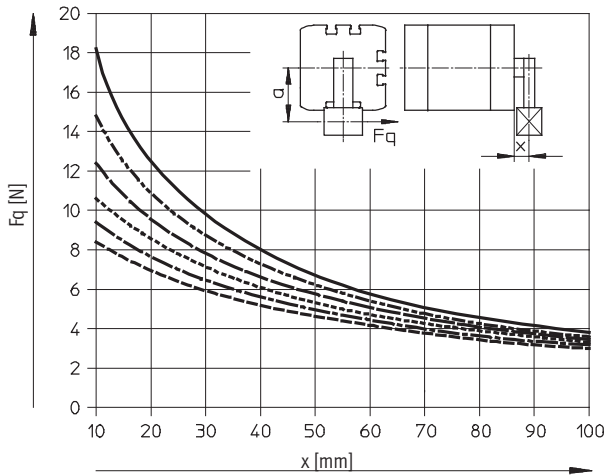
- a = 5 mm
- - - a = 10 mm
- · - a = 15 mm
- · · a = 20 mm
- · · · a = 25 mm
- · · · · a = 30 mm

Ø 16



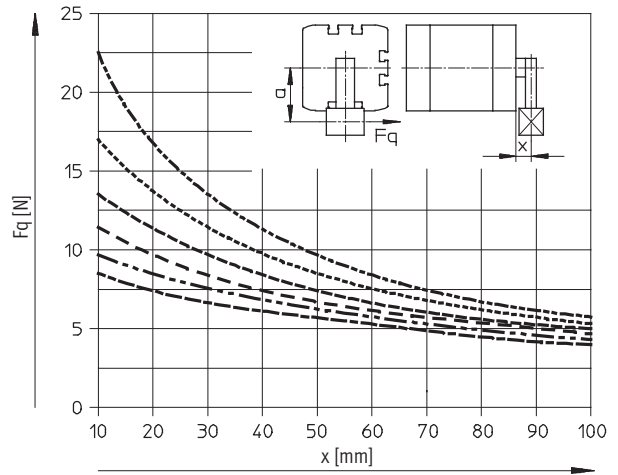
- a = 5 mm
- - - a = 10 mm
- · - a = 15 mm
- · · a = 20 mm
- · · · a = 25 mm
- · · · · a = 30 mm

Ø 20/25



- a = 5 mm
- - - a = 10 mm
- · - a = 15 mm
- · · a = 20 mm
- · · · a = 25 mm
- · · · · a = 30 mm

Ø 32/40



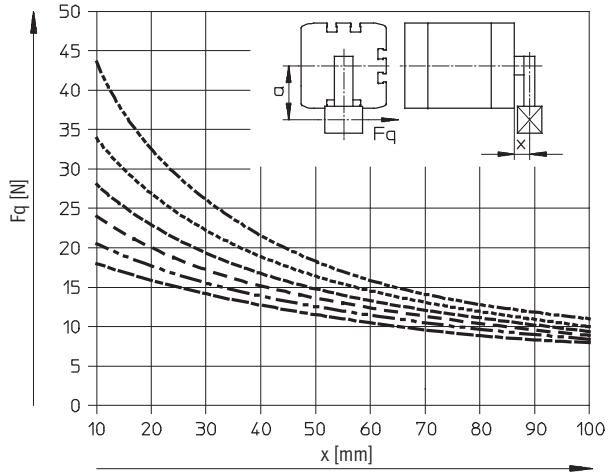
- - - a = 10 mm
- · · a = 20 mm
- · · - a = 30 mm
- · · · a = 40 mm
- · · · · a = 50 mm
- · · · · · a = 60 mm

Compact cylinders ADVULQ

Technical data – Double-acting, non-rotating with square piston rod

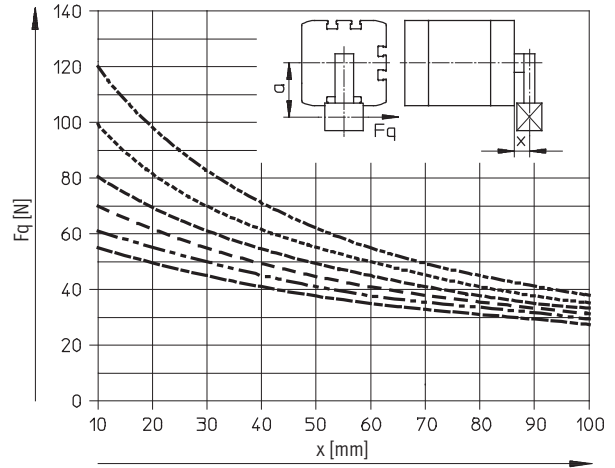
Max. lateral force F_q as a function of the projection x

Ø 50/63



- a = 10 mm
- a = 20 mm
- a = 30 mm
- a = 40 mm
- a = 50 mm
- a = 60 mm

Ø 80/100



- a = 10 mm
- a = 20 mm
- a = 30 mm
- a = 40 mm
- a = 50 mm
- a = 60 mm

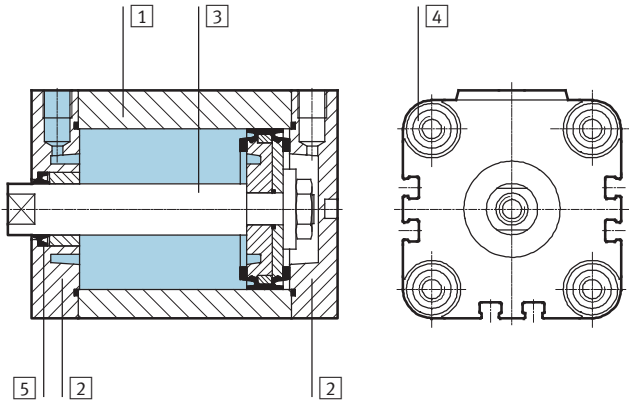
Weights [g]										
Piston Ø	12	16	20	25	32	40	50	63	80	100
Product weight with 0 mm stroke	87	89	149	180	300	433	560	1059	1772	2797
Additional weight per 10 mm stroke	15	15	23	28	40	59	72	107	168	177
Moving load with 0 mm stroke	8	12	20	26	49	63	112	134	307	614
Additional load per 10 mm stroke	2	4	6	6	9	9	16	16	25	38

Compact cylinders ADVULQ

Technical data – Double-acting, non-rotating with square piston rod

Materials

Sectional view



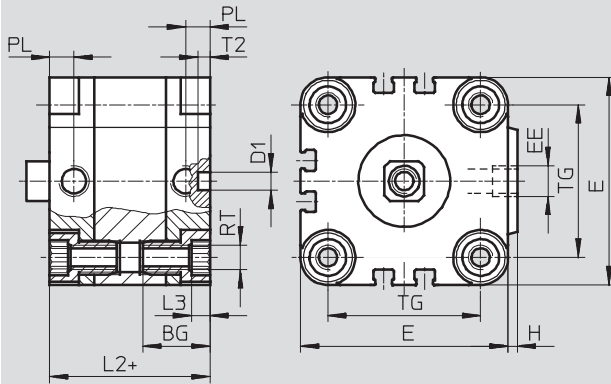
Compact cylinder	Basic version	S6
1 Cylinder barrel	Wrought aluminium alloy	Wrought aluminium alloy
2 End cap	Wrought aluminium alloy	Wrought aluminium alloy
3 Piston rod	∅ 12 ... 32	High-alloy stainless steel
	∅ 40 ... 100	High-alloy steel
4 Flange screws	∅ 12 ... 16	High-alloy stainless steel
	∅ 20 ... 100	Tempered steel
5 Dynamic seals	Polyurethane	Fluorocarbon rubber

Compact cylinders ADVULQ

Technical data – Double-acting, non-rotating with square piston rod

Dimensions – Basic cylinder

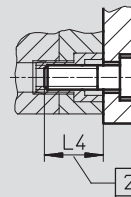
Download CAD data → www.festo.com



- - Note

To attach cylinder Ø 12 and 16 mm from above, use only 2 screws diagonally or non-magnetic screws.

+ = plus stroke length



2 Minimum screw-in depth

Ø	BG	D1	E	EE	H	L2	L3	L4	PL	RT	T2	TG
[mm]		Ø H9									-0.2	
12	18.5	6	29	M5	1	38	3	16	8	M4	4	18
16	18.5	6	29	M5	1	38	3	16	8	M4	4	18
20	18.5	6	36	M5	1.5	38	4	18	8	M5	4	22
25	18.5	6	40	M5	1.5	39.5	4	18	8	M5	4	26
32	21.5	6	50	G1/8	2	44.5	5	20	8	M6	4	32
40	21.5	6	60	G1/8	2.5	45.5	5	20	8	M6	4	42
50	22	6	68	G1/8	3	45.5	6	20	8	M8	4	50
63	24.5	8	87	G1/8	4	50	8	25	8	M10	4	62
80	27.5	8	107	G1/8	4	56	8	25	8.5	M10	4	82
100	32.5	8	128	G1/4	5	66.5	8	25	10.5	M10	4	103

- - Note: This product conforms to ISO 1179-1 and to ISO 228-1

Compact cylinders ADVULQ

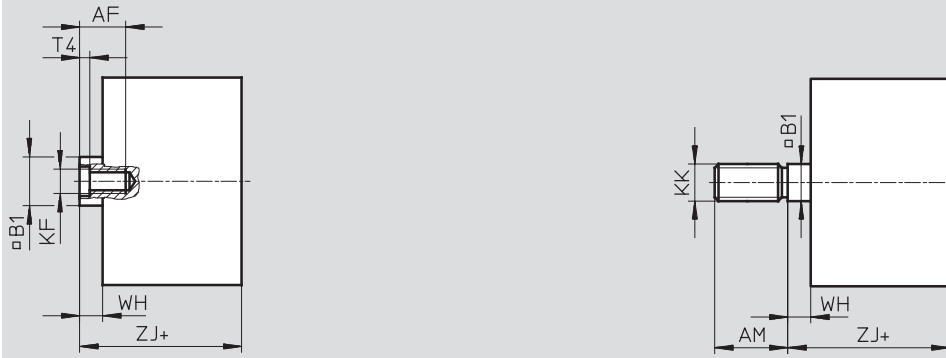
Technical data – Double-acting, non-rotating with square piston rod



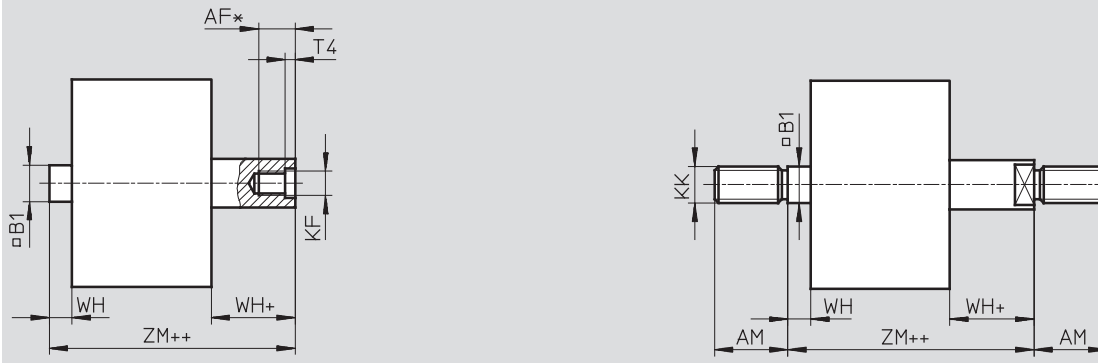
Dimensions – Variants

Download CAD data → www.festo.com

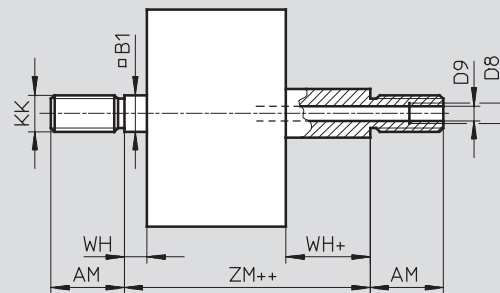
Basic version



S2 – Through piston rod



S20 – Through, hollow piston rod



- + = plus stroke length
- ++ = plus 2x stroke length


∅ [mm]	AF	AM	B1 □	D8	D9 ∅	KF	KK	T4	WH	ZJ	ZM
12	8	16	5.5	–	2.3	M3	M6	1.5	4.5	42.5	47
16	10	20	7	–	3.2	M4	M8	1.5	4.5	42.5	47
20 ²⁾	12	22	9	–	3.8	M5	M10x1.25	2	4.5	42.5	47
25 ²⁾	12	22	9	–	3.8	M5	M10x1.25	2	5.5	45	50.5
32 ²⁾	14	22	10	–	4.5	M6	M10x1.25	2.6	6	50.5	56.5
40 ²⁾	14	22	10	–	4.5	M6	M10x1.25	2.6	6.5	52	58.5
50 ²⁾	16	24	12	–	6	M8	M12x1.25	3.3	7.5	53	60.5
63 ²⁾	16	24	12	–	6	M8	M12x1.25	3.3	7.5	57.5	65
80 ²⁾	20 ¹⁾	32	16	G ¹ / ₈	8	M10	M16x1.5	4.7	8	64	72
100 ²⁾	24 ¹⁾	40	20	G ¹ / ₄	11.7	M12	M20x1.5	6.1	10	76.5	86.5

- 1) With a stroke < 5 mm, the maximum screw-in depth is reduced by 5 mm
- 2) Nut for piston rod thread included in scope of delivery

Compact cylinders ADVULQ


FESTO

Technical data – Double-acting, non-rotating with square piston rod

Ordering data – Basic version						
Type	Piston Ø [mm]	Stroke [mm]	Piston rod with female thread		Piston rod with male thread	
			Part No.	Type	Part No.	Type
	12	5	156 672	ADVULQ-12-5-P-A	156 758	ADVULQ-12-5-A-P-A
		10	156 673	ADVULQ-12-10-P-A	156 759	ADVULQ-12-10-A-P-A
		15	156 674	ADVULQ-12-15-P-A	156 760	ADVULQ-12-15-A-P-A
		20	156 675	ADVULQ-12-20-P-A	156 761	ADVULQ-12-20-A-P-A
		25	156 676	ADVULQ-12-25-P-A	156 762	ADVULQ-12-25-A-P-A
		30	156 677	ADVULQ-12-30-P-A	156 763	ADVULQ-12-30-A-P-A
		40	156 678	ADVULQ-12-40-P-A	156 764	ADVULQ-12-40-A-P-A
	16	5	156 679	ADVULQ-16-5-P-A	156 765	ADVULQ-16-5-A-P-A
		10	156 680	ADVULQ-16-10-P-A	156 766	ADVULQ-16-10-A-P-A
		15	156 681	ADVULQ-16-15-P-A	156 767	ADVULQ-16-15-A-P-A
		20	156 682	ADVULQ-16-20-P-A	156 768	ADVULQ-16-20-A-P-A
		25	156 683	ADVULQ-16-25-P-A	156 769	ADVULQ-16-25-A-P-A
		30	156 684	ADVULQ-16-30-P-A	156 770	ADVULQ-16-30-A-P-A
		40	156 685	ADVULQ-16-40-P-A	156 771	ADVULQ-16-40-A-P-A
	20	5	156 686	ADVULQ-20-5-P-A	156 772	ADVULQ-20-5-A-P-A
		10	156 687	ADVULQ-20-10-P-A	156 773	ADVULQ-20-10-A-P-A
		15	156 688	ADVULQ-20-15-P-A	156 774	ADVULQ-20-15-A-P-A
		20	156 689	ADVULQ-20-20-P-A	156 775	ADVULQ-20-20-A-P-A
		25	156 690	ADVULQ-20-25-P-A	156 776	ADVULQ-20-25-A-P-A
		30	156 691	ADVULQ-20-30-P-A	156 777	ADVULQ-20-30-A-P-A
		40	156 692	ADVULQ-20-40-P-A	156 778	ADVULQ-20-40-A-P-A
		50	156 693	ADVULQ-20-50-P-A	156 779	ADVULQ-20-50-A-P-A
	25	5	156 694	ADVULQ-25-5-P-A	156 780	ADVULQ-25-5-A-P-A
		10	156 695	ADVULQ-25-10-P-A	156 781	ADVULQ-25-10-A-P-A
		15	156 696	ADVULQ-25-15-P-A	156 782	ADVULQ-25-15-A-P-A
		20	156 697	ADVULQ-25-20-P-A	156 783	ADVULQ-25-20-A-P-A
		25	156 698	ADVULQ-25-25-P-A	156 784	ADVULQ-25-25-A-P-A
		30	156 699	ADVULQ-25-30-P-A	156 785	ADVULQ-25-30-A-P-A
40		156 700	ADVULQ-25-40-P-A	156 786	ADVULQ-25-40-A-P-A	
50		156 701	ADVULQ-25-50-P-A	156 787	ADVULQ-25-50-A-P-A	
32	5	156 702	ADVULQ-32-5-P-A	156 788	ADVULQ-32-5-A-P-A	
	10	156 703	ADVULQ-32-10-P-A	156 789	ADVULQ-32-10-A-P-A	
	15	156 704	ADVULQ-32-15-P-A	156 790	ADVULQ-32-15-A-P-A	
	20	156 705	ADVULQ-32-20-P-A	156 791	ADVULQ-32-20-A-P-A	
	25	156 706	ADVULQ-32-25-P-A	156 792	ADVULQ-32-25-A-P-A	
	30	156 707	ADVULQ-32-30-P-A	156 793	ADVULQ-32-30-A-P-A	
	40	156 708	ADVULQ-32-40-P-A	156 794	ADVULQ-32-40-A-P-A	
	50	156 709	ADVULQ-32-50-P-A	156 795	ADVULQ-32-50-A-P-A	
	60	156 710	ADVULQ-32-60-P-A	156 796	ADVULQ-32-60-A-P-A	
	80	156 711	ADVULQ-32-80-P-A	156 797	ADVULQ-32-80-A-P-A	





Compact cylinders ADVULQ

Technical data – Double-acting, non-rotating with square piston rod

Ordering data – Basic version						
Type	Piston Ø [mm]	Stroke [mm]	Piston rod with female thread		Piston rod with male thread	
			Part No.	Type	Part No.	Type
	40	5	156 712	ADVULQ-40-5-P-A	156 798	ADVULQ-40-5-A-P-A
		10	156 713	ADVULQ-40-10-P-A	156 799	ADVULQ-40-10-A-P-A
		15	156 714	ADVULQ-40-15-P-A	156 800	ADVULQ-40-15-A-P-A
		20	156 715	ADVULQ-40-20-P-A	156 801	ADVULQ-40-20-A-P-A
		25	156 716	ADVULQ-40-25-P-A	156 802	ADVULQ-40-25-A-P-A
		30	156 717	ADVULQ-40-30-P-A	156 803	ADVULQ-40-30-A-P-A
		40	156 718	ADVULQ-40-40-P-A	156 804	ADVULQ-40-40-A-P-A
		50	156 719	ADVULQ-40-50-P-A	156 805	ADVULQ-40-50-A-P-A
		60	156 720	ADVULQ-40-60-P-A	156 806	ADVULQ-40-60-A-P-A
	80	156 721	ADVULQ-40-80-P-A	156 807	ADVULQ-40-80-A-P-A	
	50	10	156 722	ADVULQ-50-10-P-A	156 808	ADVULQ-50-10-A-P-A
		15	156 723	ADVULQ-50-15-P-A	156 809	ADVULQ-50-15-A-P-A
		20	156 724	ADVULQ-50-20-P-A	156 810	ADVULQ-50-20-A-P-A
		25	156 725	ADVULQ-50-25-P-A	156 811	ADVULQ-50-25-A-P-A
		30	156 726	ADVULQ-50-30-P-A	156 812	ADVULQ-50-30-A-P-A
		40	156 727	ADVULQ-50-40-P-A	156 813	ADVULQ-50-40-A-P-A
		50	156 728	ADVULQ-50-50-P-A	156 814	ADVULQ-50-50-A-P-A
		60	156 729	ADVULQ-50-60-P-A	156 815	ADVULQ-50-60-A-P-A
		80	156 730	ADVULQ-50-80-P-A	156 816	ADVULQ-50-80-A-P-A
	63	10	156 731	ADVULQ-63-10-P-A	156 817	ADVULQ-63-10-A-P-A
		15	156 732	ADVULQ-63-15-P-A	156 818	ADVULQ-63-15-A-P-A
		20	156 733	ADVULQ-63-20-P-A	156 819	ADVULQ-63-20-A-P-A
		25	156 734	ADVULQ-63-25-P-A	156 820	ADVULQ-63-25-A-P-A
		30	156 735	ADVULQ-63-30-P-A	156 821	ADVULQ-63-30-A-P-A
		40	156 736	ADVULQ-63-40-P-A	156 822	ADVULQ-63-40-A-P-A
		50	156 737	ADVULQ-63-50-P-A	156 823	ADVULQ-63-50-A-P-A
		60	156 738	ADVULQ-63-60-P-A	156 824	ADVULQ-63-60-A-P-A
		80	156 739	ADVULQ-63-80-P-A	156 825	ADVULQ-63-80-A-P-A
	80	10	156 740	ADVULQ-80-10-P-A	156 826	ADVULQ-80-10-A-P-A
		15	156 741	ADVULQ-80-15-P-A	156 827	ADVULQ-80-15-A-P-A
		20	156 742	ADVULQ-80-20-P-A	156 828	ADVULQ-80-20-A-P-A
		25	156 743	ADVULQ-80-25-P-A	156 829	ADVULQ-80-25-A-P-A
		30	156 744	ADVULQ-80-30-P-A	156 830	ADVULQ-80-30-A-P-A
		40	156 745	ADVULQ-80-40-P-A	156 831	ADVULQ-80-40-A-P-A
		50	156 746	ADVULQ-80-50-P-A	156 832	ADVULQ-80-50-A-P-A
		60	156 747	ADVULQ-80-60-P-A	156 833	ADVULQ-80-60-A-P-A
		80	156 748	ADVULQ-80-80-P-A	156 834	ADVULQ-80-80-A-P-A
	100	10	156 749	ADVULQ-100-10-P-A	156 835	ADVULQ-100-10-A-P-A
		15	156 750	ADVULQ-100-15-P-A	156 836	ADVULQ-100-15-A-P-A
		20	156 751	ADVULQ-100-20-P-A	156 837	ADVULQ-100-20-A-P-A
		25	156 752	ADVULQ-100-25-P-A	156 838	ADVULQ-100-25-A-P-A
		30	156 753	ADVULQ-100-30-P-A	156 839	ADVULQ-100-30-A-P-A
		40	156 754	ADVULQ-100-40-P-A	156 840	ADVULQ-100-40-A-P-A
		50	156 755	ADVULQ-100-50-P-A	156 841	ADVULQ-100-50-A-P-A
		60	156 756	ADVULQ-100-60-P-A	156 842	ADVULQ-100-60-A-P-A
		80	156 757	ADVULQ-100-80-P-A	156 843	ADVULQ-100-80-A-P-A



Compact cylinders ADVULQ

Technical data – Double-acting, non-rotating with square piston rod

Ordering data – Variants						
Type	Piston Ø [mm]	Stroke [mm]	Piston rod with female thread		Piston rod with male thread	
			Part No.	Type	Part No.	Type
Variable stroke						
	12	1 ... 200	156 100	ADVULQ-12-...-P-A	156 140	ADVULQ-12-...-A-P-A
	16	1 ... 200	156 101	ADVULQ-16-...-P-A	156 141	ADVULQ-16-...-A-P-A
	20	1 ... 200	156 102	ADVULQ-20-...-P-A	156 142	ADVULQ-20-...-A-P-A
	25	1 ... 200	156 103	ADVULQ-25-...-P-A	156 143	ADVULQ-25-...-A-P-A
	32	1 ... 300	156 104	ADVULQ-32-...-P-A	156 144	ADVULQ-32-...-A-P-A
	40	1 ... 300	156 105	ADVULQ-40-...-P-A	156 145	ADVULQ-40-...-A-P-A
	50	1 ... 300	156 106	ADVULQ-50-...-P-A	156 146	ADVULQ-50-...-A-P-A
	63	1 ... 300	156 107	ADVULQ-63-...-P-A	156 147	ADVULQ-63-...-A-P-A
	80	1 ... 400	156 108	ADVULQ-80-...-P-A	156 148	ADVULQ-80-...-A-P-A
	100	1 ... 400	156 109	ADVULQ-100-...-P-A	156 149	ADVULQ-100-...-A-P-A
S2 – Through piston rod						
	12	1 ... 200	156 110	ADVULQ-12-...-P-A-S2	156 150	ADVULQ-12-...-A-P-A-S2
	16	1 ... 200	156 111	ADVULQ-16-...-P-A-S2	156 151	ADVULQ-16-...-A-P-A-S2
	20	1 ... 200	156 112	ADVULQ-20-...-P-A-S2	156 152	ADVULQ-20-...-A-P-A-S2
	25	1 ... 200	156 113	ADVULQ-25-...-P-A-S2	156 153	ADVULQ-25-...-A-P-A-S2
	32	1 ... 300	156 114	ADVULQ-32-...-P-A-S2	156 154	ADVULQ-32-...-A-P-A-S2
	40	1 ... 300	156 115	ADVULQ-40-...-P-A-S2	156 155	ADVULQ-40-...-A-P-A-S2
	50	1 ... 300	156 116	ADVULQ-50-...-P-A-S2	156 156	ADVULQ-50-...-A-P-A-S2
	63	1 ... 300	156 117	ADVULQ-63-...-P-A-S2	156 157	ADVULQ-63-...-A-P-A-S2
	80	1 ... 400	156 118	ADVULQ-80-...-P-A-S2	156 158	ADVULQ-80-...-A-P-A-S2
	100	1 ... 400	156 119	ADVULQ-100-...-P-A-S2	156 159	ADVULQ-100-...-A-P-A-S2
S6 – Heat resistant up to 120 °C						
	12	1 ... 200	156 130	ADVULQ-12-...-P-A-S6	156 190	ADVULQ-12-...-A-P-A-S6
	16	1 ... 200	156 131	ADVULQ-16-...-P-A-S6	156 191	ADVULQ-16-...-A-P-A-S6
	20	1 ... 200	156 132	ADVULQ-20-...-P-A-S6	156 192	ADVULQ-20-...-A-P-A-S6
	25	1 ... 200	156 133	ADVULQ-25-...-P-A-S6	156 193	ADVULQ-25-...-A-P-A-S6
	32	1 ... 300	156 134	ADVULQ-32-...-P-A-S6	156 194	ADVULQ-32-...-A-P-A-S6
	40	1 ... 300	156 135	ADVULQ-40-...-P-A-S6	156 195	ADVULQ-40-...-A-P-A-S6
	50	1 ... 300	156 136	ADVULQ-50-...-P-A-S6	156 196	ADVULQ-50-...-A-P-A-S6
	63	1 ... 300	156 137	ADVULQ-63-...-P-A-S6	156 197	ADVULQ-63-...-A-P-A-S6
	80	1 ... 400	156 138	ADVULQ-80-...-P-A-S6	156 198	ADVULQ-80-...-A-P-A-S6
	100	1 ... 400	156 139	ADVULQ-100-...-P-A-S6	156 199	ADVULQ-100-...-A-P-A-S6
S26 – Through piston rod, heat resistant up to 120 °C						
	12	1 ... 200	156 120	ADVULQ-12-...-P-A-S26	156 180	ADVULQ-12-...-A-P-A-S26
	16	1 ... 200	156 121	ADVULQ-16-...-P-A-S26	156 181	ADVULQ-16-...-A-P-A-S26
	20	1 ... 200	156 122	ADVULQ-20-...-P-A-S26	156 182	ADVULQ-20-...-A-P-A-S26
	25	1 ... 200	156 123	ADVULQ-25-...-P-A-S26	156 183	ADVULQ-25-...-A-P-A-S26
	32	1 ... 300	156 124	ADVULQ-32-...-P-A-S26	156 184	ADVULQ-32-...-A-P-A-S26
	40	1 ... 300	156 125	ADVULQ-40-...-P-A-S26	156 185	ADVULQ-40-...-A-P-A-S26
	50	1 ... 300	156 126	ADVULQ-50-...-P-A-S26	156 186	ADVULQ-50-...-A-P-A-S26
	63	1 ... 300	156 127	ADVULQ-63-...-P-A-S26	156 187	ADVULQ-63-...-A-P-A-S26
	80	1 ... 400	156 128	ADVULQ-80-...-P-A-S26	156 188	ADVULQ-80-...-A-P-A-S26
	100	1 ... 400	156 129	ADVULQ-100-...-P-A-S26	156 189	ADVULQ-100-...-A-P-A-S26

Compact cylinders ADVULQ

Technical data – Double-acting, non-rotating with square piston rod

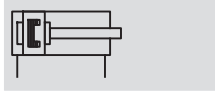
Ordering data – Variants						
Type	Piston Ø [mm]	Stroke [mm]	Piston rod with female thread		Piston rod with male thread	
			Part No.	Type	Part No.	Type
S20 – Through, hollow piston rod						
	16	1 ... 200	-		156 161	ADVULQ-16-...-A-P-A-S20
	20	1 ... 200			156 162	ADVULQ-20-...-A-P-A-S20
	25	1 ... 200			156 163	ADVULQ-25-...-A-P-A-S20
	32	1 ... 300			156 164	ADVULQ-32-...-A-P-A-S20
	40	1 ... 300			156 165	ADVULQ-40-...-A-P-A-S20
	50	1 ... 300			156 166	ADVULQ-50-...-A-P-A-S20
	63	1 ... 300			156 167	ADVULQ-63-...-A-P-A-S20
	80	1 ... 400			156 168	ADVULQ-80-...-A-P-A-S20
	100	1 ... 400			156 169	ADVULQ-100-...-A-P-A-S20
	S206 – Through, hollow piston rod, heat resistant up to 120 °C					
	16	1 ... 200	-		156 171	ADVULQ-16-...-A-P-A-S206
	20	1 ... 200			156 172	ADVULQ-20-...-A-P-A-S206
	25	1 ... 200			156 173	ADVULQ-25-...-A-P-A-S206
	32	1 ... 300			156 174	ADVULQ-32-...-A-P-A-S206
	40	1 ... 300			156 175	ADVULQ-40-...-A-P-A-S206
	50	1 ... 300			156 176	ADVULQ-50-...-A-P-A-S206
	63	1 ... 300			156 177	ADVULQ-63-...-A-P-A-S206
	80	1 ... 400			156 178	ADVULQ-80-...-A-P-A-S206
	100	1 ... 400			156 179	ADVULQ-100-...-A-P-A-S206

Compact cylinders ADVU-...-S1

Technical data – Double-acting, reinforced piston rod

FESTO

Function



- Ø - Diameter
25, 40, 63, 100 mm

- | - Stroke length
1 ... 2000 mm

-  - www.festo.com



ADVU-...-P-A-S1

General technical data				
Piston Ø	25	40	63	100
Pneumatic connection	M5	M5	G $\frac{1}{8}$	G $\frac{1}{4}$
End of piston rod Female thread	M5	M8	M10	M12
Operating medium	Filtered compressed air, lubricated or unlubricated			
Constructional design	Piston			
	Piston rod			
Cushioning	Flexible cushioning rings/plates at both ends			
Position sensing	For proximity sensing			
Type of mounting	Via through-holes			
	Via female thread			
	Via accessories			
Mounting position	Any			

- | - Note: This product conforms to ISO 1179-1 and to ISO 228-1

Operating conditions				
Piston Ø	25	40	63	100
Operating pressure [bar]	0.8 ... 10	0.8 ... 10	0.6 ... 10	0.6 ... 10
Ambient temperature [°C]	-20 ... +80 (observe operating range of proximity sensors)			
Corrosion resistance class CRC ¹⁾	2			

1) Corrosion resistance class 2 according to Festo standard 940 070

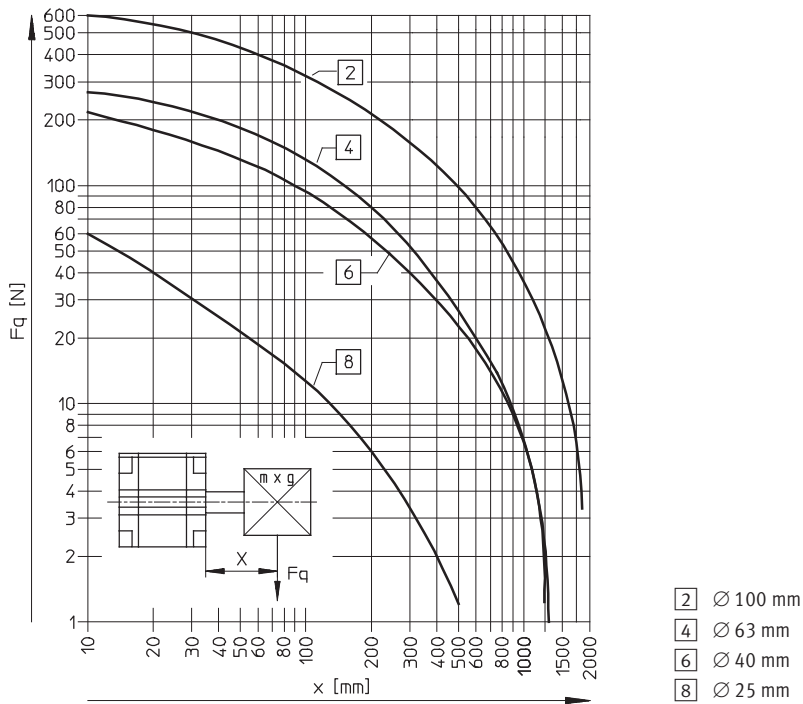
Components requiring moderate corrosion resistance. Externally visible parts with primarily decorative surface requirements which are in direct contact with a surrounding industrial atmosphere or media such as cooling or lubricating agents

Forces [N] and impact energy [J]				
Piston Ø	25	40	63	100
Theoretical force at 6 bar, advancing	295	754	1870	4712
Theoretical force at 6 bar, retracting	247	633	1682	4418
Max. impact energy at end positions	0.30	0.52	0.70	1.00

Compact cylinders ADVU...-S1

Technical data – Double-acting, reinforced piston rod

Max. lateral force F_q as a function of the projection x

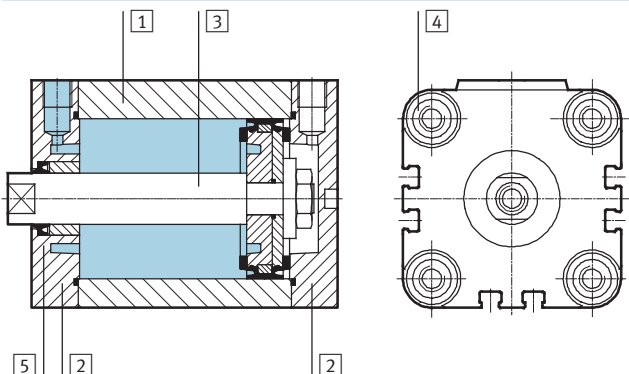


Weights [g]

Piston Ø	25	40	63	100
Product weight with 0 mm stroke	250	550	800	3500
Additional weight per 10 mm stroke	36	74	140	200
Moving load with 0 mm stroke	26	63	134	614
Additional load per 10 mm stroke	6	16	25	38

Materials

Sectional view



Compact cylinder

1	Cylinder barrel	Wrought aluminium alloy
2	End cap	Wrought aluminium alloy
3	Piston rod	High-alloy stainless steel
	Ø 25	High-alloy steel
	Ø 40, 63, 100	
4	Flange screws	Tempered steel
5	Dynamic seals	Polyurethane

Compact cylinders ADVU-...-S1

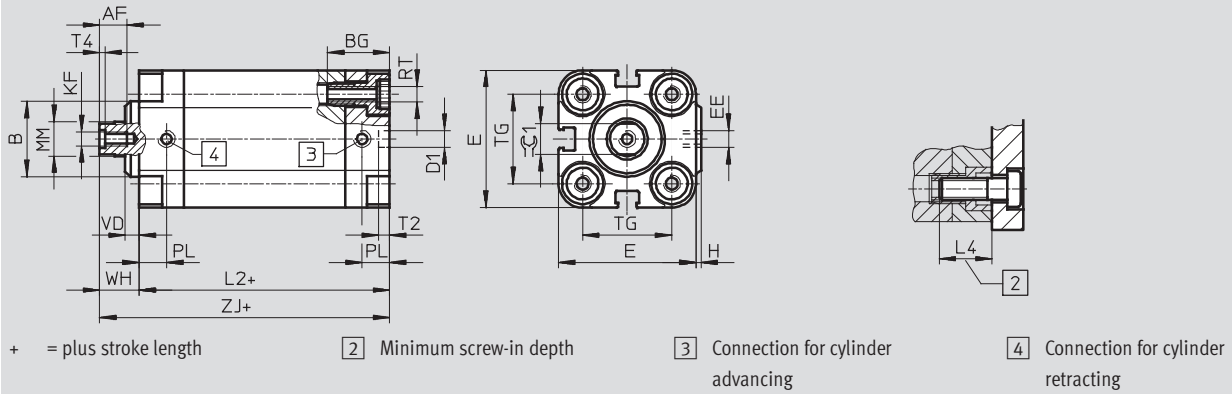
Technical data – Double-acting, reinforced piston rod



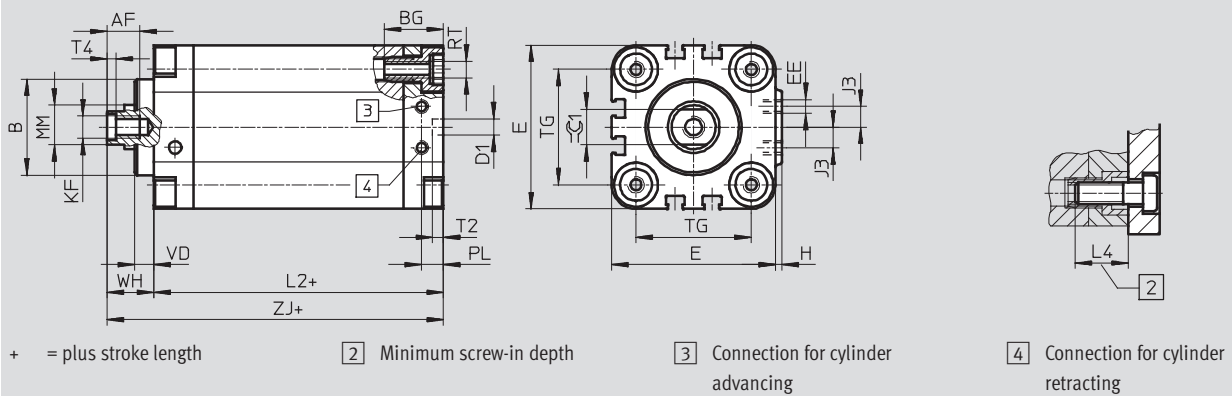
Dimensions – Basic cylinder

Download CAD data → www.festo.com

Piston Ø 25 mm



Piston Ø 40, 63, 100 mm



Ø	AF	B	BG	D1	E	EE	H	J3	KF	L2	L4
[mm]		Ø		Ø H9							
25	10	22	18.5	6	40	M5	1.5	–	M5	45.5	18
40	12	35	21.5	6	60	M5	2.5	7.5	M8	52.5	20
63	16	42	24.5	8	87	G $\frac{3}{8}$	4	10.5	M10	58	25
100	20	55	32.5	8	128	G $\frac{1}{4}$	5	14.5	M12	77.5	25

Ø	MM	PL	RT	T2	T4	TG	VD	WH	ZJ	≈C1
[mm]	Ø			-0.2						h13
25	10	8	M5	4	2	26	4	11.5	57	9
40	16	8	M6	4	3.3	42	7	16.5	69	13
63	20	8	M10	4	4.7	62	11.5	21.5	79.5	17
100	25	10.5	M10	4	6.1	103	15	27	104.5	22

– Note: This product conforms to ISO 1179-1 and to ISO 228-1

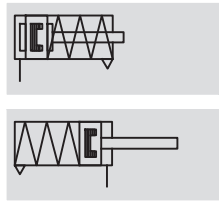
Ordering data

Type	Piston Ø [mm]	Stroke [mm]	Part No.	Type
	25	1 ... 500	161 155	ADVU-25-...-P-A-S1
	40	1 ... 2000	161 156	ADVU-40-...-P-A-S1
	63	1 ... 2000	161 157	ADVU-63-...-P-A-S1
	100	1 ... 2000	161 158	ADVU-100-...-P-A-S1

Compact cylinders AEU/AEUZ

Technical data – Single-acting, basic version

Function



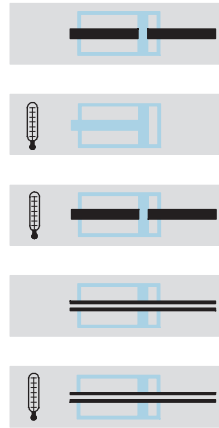
⌀ - Diameter
12 ... 100

- | - Stroke length
1 ... 25

www.festo.com

Wearing parts kits
→ 45

Variants



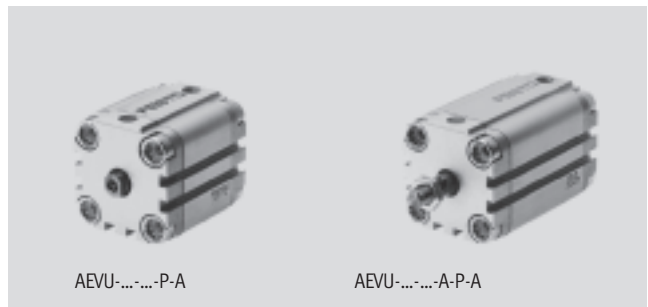
S2

S6

S26

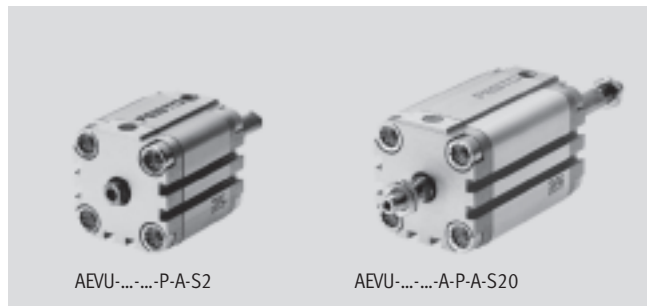
S20

S206



AEU-...-P-A

AEU-...-A-P-A



AEU-...-P-A-S2

AEU-...-A-P-A-S20

General technical data											
Piston Ø	12	16	20	25	32	40	50	63	80	100	
Pneumatic connection	M5	M5	M5	M5	G1/8	G1/8	G1/8	G1/8	G1/8	G1/4	
End of piston rod	Female thread	M3	M4	M5	M5	M6	M6	M8	M8	M10	M12
	Male thread	M6	M8	M10x1.25			M12x1.25		M16x1.5	M20x1.5	
Operating medium	Filtered compressed air, lubricated or unlubricated										
Constructional design	Piston										
	Piston rod										
Cushioning	Flexible cushioning rings/plates at both ends										
Position sensing	For proximity sensing										
Type of mounting	Via through-holes										
	Via female thread										
	Via accessories										
Mounting position	Any										

Note: This product conforms to ISO 1179-1 and to ISO 228-1

Operating pressure [bar]										
Piston Ø	12	16	20	25	32	40	50	63	80	100
Pushing variant AEUU										
Piston rod at one end	1.5 ... 10	1.3 ... 10	1.0 ... 10	0.8 ... 10			0.6 ... 10			
Through piston rod S2/S20	1.7 ... 10	1.5 ... 10	1.4 ... 10	1.2 ... 10			1.0 ... 10			
Pulling variant AEUZ										
Piston rod at one end	1.5 ... 10	1.3 ... 10	1.0 ... 10	0.8 ... 10						

Compact cylinders AEU/AEUVZ

Technical data – Single-acting, basic version

Ambient conditions		
Compact cylinder	Basic version	S6
Ambient temperature ¹⁾ [°C]	-20 ... +80	0 ... +120
Corrosion resistance class CRC ²⁾	2	2

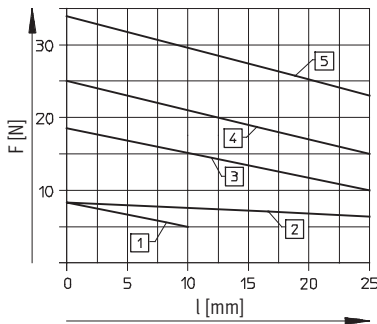
1) Note operating range of proximity sensors

2) Corrosion resistance class 2 according to Festo standard 940 070

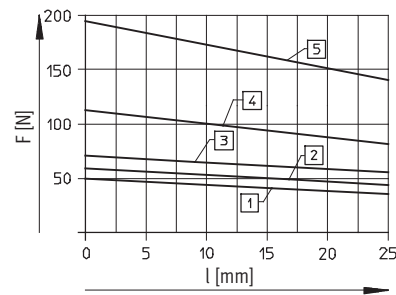
Components requiring moderate corrosion resistance. Externally visible parts with primarily decorative surface requirements which are in direct contact with a surrounding industrial atmosphere or media such as cooling or lubricating agents

Forces [N]											
Piston Ø	12	16	20	25	32	40	50	63	80	100	
Pushing variant AEU											
Theoretical force at 6 bar, advancing	59	111	171	269	450	704	1121	1799	2902	4516	
S2/S20	42	81	123	221	382	636	999	1679	2733	4222	
Pulling variant AEUZ											
Theoretical force at 6 bar, advancing	42	81	123	221	382	636	999	1679	2733	4222	

Spring return force F as a function of the stroke l



- 1) AEU/AEUVZ-12
- 2) AEU/AEUVZ-16
- 3) AEU/AEUVZ-20
- 4) AEU/AEUVZ-25
- 5) AEU/AEUVZ-32



- 1) AEU/AEUVZ-40
- 2) AEU/AEUVZ-50
- 3) AEU/AEUVZ-63
- 4) AEU/AEUVZ-80
- 5) AEU/AEUVZ-100

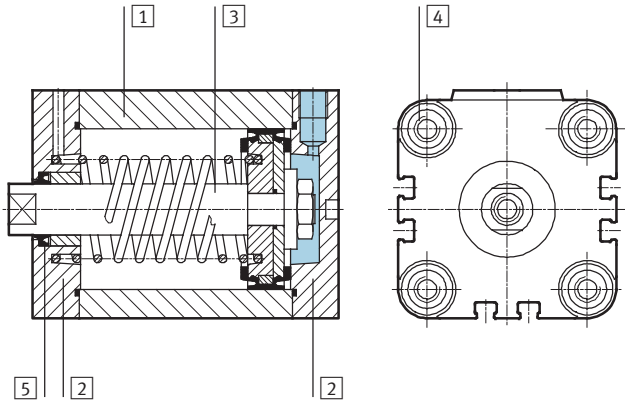
Weights [g]											
Piston Ø	12	16	20	25	32	40	50	63	80	100	
Product weight with 0 mm stroke	87	89	149	180	300	433	560	1059	1772	2797	
Additional weight per 10 mm stroke	15	15	23	28	40	59	72	107	168	177	
Moving load with 0 mm stroke											
Additional load per 10 mm stroke	8	12	20	26	49	63	112	134	307	614	
Additional load per 10 mm stroke	2	4	6	6	9	9	16	16	25	38	

Compact cylinders AEU/AEUVZ

Technical data – Single-acting, basic version

Materials

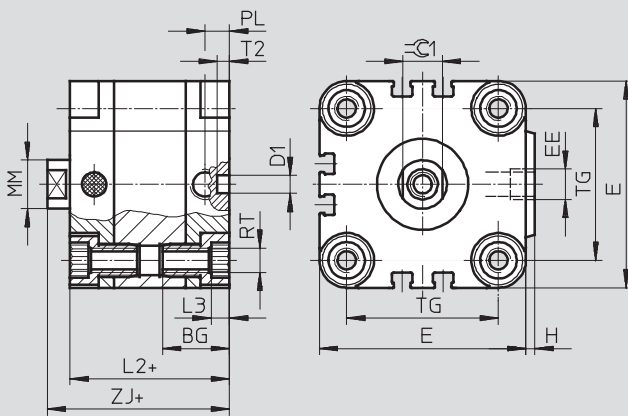
Sectional view



Compact cylinder	Basic version	S6
1 Cylinder barrel	Wrought aluminium alloy	Wrought aluminium alloy
2 End cap	Wrought aluminium alloy	Wrought aluminium alloy
3 Piston rod	∅ 12 ... 32	High-alloy stainless steel
	∅ 40 ... 100	High-alloy steel
4 Flange screws	∅ 12 ... 16	High-alloy stainless steel
	∅ 20 ... 100	Tempered steel
5 Dynamic seals	Polyurethane	Fluorocarbon rubber

Dimensions – Basic cylinder

Download CAD data → www.festo.com



- - Note
To attach cylinder ∅ 12 and 16 mm from above, use only 2 screws diagonally or non-magnetic screws.
+ = plus stroke length

Minimum screw-in depth

∅	BG	D1 ∅ H9	E	EE	H	L2	L3	L4	MM ∅	PL	RT	T2	TG	ZJ	C1
[mm]												-0.2			h13
12	18.5	6	29	M5	1	38	3	16	6	8	M4	4	18	42.5	5
16	18.5	6	29	M5	1	38	3	16	8	8	M4	4	18	42.5	7
20	18.5	6	36	M5	1.5	38	4	18	10	8	M5	4	22	42.5	9
25	18.5	6	40	M5	1.5	39.5	4	18	10	8	M5	4	26	45	9
32	21.5	6	50	G $\frac{1}{8}$	2	44.5	5	20	12	8	M6	4	32	50.5	10
40	21.5	6	60	G $\frac{1}{8}$	2.5	45.5	5	20	12	8	M6	4	42	52	10
50	22	6	68	G $\frac{1}{8}$	3	45.5	6	20	16	8	M8	4	50	53	13
63	24.5	8	87	G $\frac{1}{8}$	4	50	8	25	16	8	M10	4	62	57.5	13
80	27.5	8	107	G $\frac{1}{8}$	4	56	8	25	20	8.5	M10	4	82	64	17
100	32.5	8	128	G $\frac{1}{4}$	5	66.5	8	25	25	10.5	M10	4	103	76.5	22

- - Note: This product conforms to ISO 1179-1 and to ISO 228-1

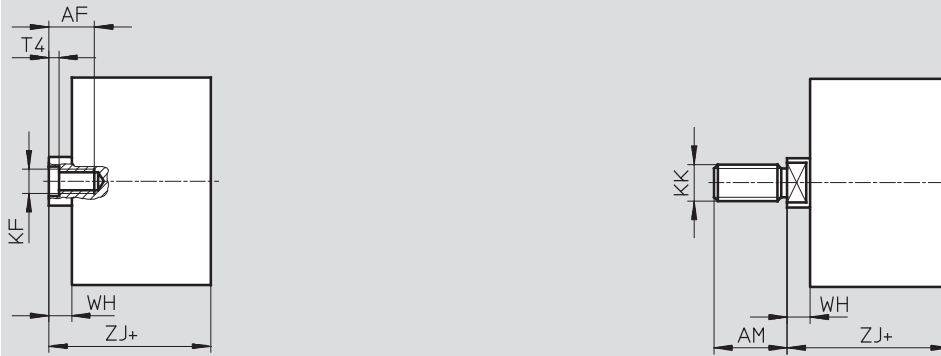
Compact cylinders AEVU/AEUVZ

Technical data – Single-acting, basic version

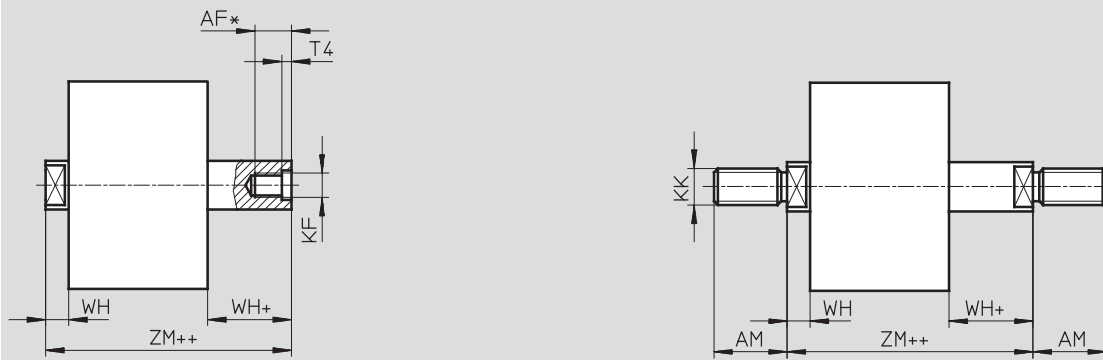
Dimensions – Pushing variants, AEVU

Download CAD data → www.festo.com

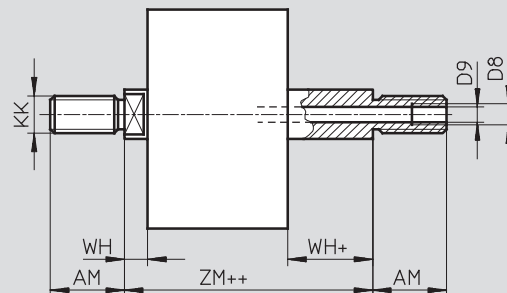
Basic version



S2 – Through piston rod



S20 – Through, hollow piston rod



+ = plus stroke length
++ = plus 2x stroke length

∅ [mm]	AF	AM	D8	D9 ∅	KF	KK	T4	WH	ZJ	ZM
12	8	16	–	2.3	M3	M6	1.5	4.5	42.5	47
16	10	20	–	3.2	M4	M8	1.5	4.5	42.5	47
20 ²⁾	12	22	–	3.8	M5	M10x1.25	2	4.5	42.5	47
25 ²⁾	12	22	–	3.8	M5	M10x1.25	2	5.5	45	50.5
32 ²⁾	14	22	–	4.5	M6	M10x1.25	2.6	6	50.5	56.5
40 ²⁾	14	22	–	4.5	M6	M10x1.25	2.6	6.5	52	58.5
50 ²⁾	16	24	–	6	M8	M12x1.25	3.3	7.5	53	60.5
63 ²⁾	16	24	–	6	M8	M12x1.25	3.3	7.5	57.5	65
80 ²⁾	20 ¹⁾	32	G ³ / ₈	8	M10	M16x1.5	4.7	8	64	72
100 ²⁾	24 ¹⁾	40	G ³ / ₄	11.7	M12	M20x1.5	6.1	10	76.5	86.5

1) With a stroke < 5 mm, the maximum screw-in depth is reduced by 5 mm
2) Nut for piston rod thread included in scope of delivery

Compact cylinders AEVU/AEVUZ

Technical data – Single-acting, basic version

Dimensions – Pulling variants, AEVUZ

Download CAD data → www.festo.com



+ = plus stroke length
 ++ = plus 2x stroke length

∅ [mm]	AF	AM	KF	KK	T4	WH	ZJ
12	8	16	M3	M6	1.5	4.5	42.5
16	10	20	M4	M8	1.5	4.5	42.5
20 ¹⁾	12	22	M5	M10x1.25	2	4.5	42.5
25 ¹⁾	12	22	M5	M10x1.25	2	5.5	45
32 ¹⁾	14	22	M6	M10x1.25	2.6	6	50.5
40 ¹⁾	14	22	M6	M10x1.25	2.6	6.5	52
50 ¹⁾	16	24	M8	M12x1.25	3.3	7.5	53
63 ¹⁾	16	24	M8	M12x1.25	3.3	7.5	57.5
80 ¹⁾	20	32	M10	M16x1.5	4.7	8	64
100 ¹⁾	24	40	M12	M20x1.5	6.1	10	76.5

1) Nut for piston rod thread included in scope of delivery

Compact cylinders AEVU/AEVUZ





Technical data – Single-acting, basic version

Ordering data – Pushing variants, basic version, AEVU						
Type	Piston Ø [mm]	Stroke [mm]	Piston rod with female thread		Piston rod with male thread	
			Part No.	Type	Part No.	Type
	12	5	156 930	AEVU-12-5-P-A	156 976	AEVU-12-5-A-P-A
		10	156 931	AEVU-12-10-P-A	156 977	AEVU-12-10-A-P-A
	16	5	156 935	AEVU-16-5-P-A	156 981	AEVU-16-5-A-P-A
		10	156 936	AEVU-16-10-P-A	156 982	AEVU-16-10-A-P-A
		15	156 937	AEVU-16-15-P-A	156 983	AEVU-16-15-A-P-A
		20	156 938	AEVU-16-20-P-A	156 984	AEVU-16-20-A-P-A
		25	156 939	AEVU-16-25-P-A	156 985	AEVU-16-25-A-P-A
	20	5	156 940	AEVU-20-5-P-A	156 986	AEVU-20-5-A-P-A
		10	156 941	AEVU-20-10-P-A	156 987	AEVU-20-10-A-P-A
		15	156 942	AEVU-20-15-P-A	156 988	AEVU-20-15-A-P-A
		20	156 943	AEVU-20-20-P-A	156 989	AEVU-20-20-A-P-A
		25	156 944	AEVU-20-25-P-A	156 990	AEVU-20-25-A-P-A
	25	5	156 945	AEVU-25-5-P-A	156 991	AEVU-25-5-A-P-A
		10	156 946	AEVU-25-10-P-A	156 992	AEVU-25-10-A-P-A
		15	156 947	AEVU-25-15-P-A	156 993	AEVU-25-15-A-P-A
		20	156 948	AEVU-25-20-P-A	156 994	AEVU-25-20-A-P-A
		25	156 949	AEVU-25-25-P-A	156 995	AEVU-25-25-A-P-A
	32	5	156 950	AEVU-32-5-P-A	156 996	AEVU-32-5-A-P-A
		10	156 951	AEVU-32-10-P-A	156 997	AEVU-32-10-A-P-A
		15	156 952	AEVU-32-15-P-A	156 998	AEVU-32-15-A-P-A
20		156 953	AEVU-32-20-P-A	156 999	AEVU-32-20-A-P-A	
25		156 954	AEVU-32-25-P-A	157 000	AEVU-32-25-A-P-A	
40	5	156 955	AEVU-40-5-P-A	157 001	AEVU-40-5-A-P-A	
	10	156 956	AEVU-40-10-P-A	157 002	AEVU-40-10-A-P-A	
	15	156 957	AEVU-40-15-P-A	157 003	AEVU-40-15-A-P-A	
	20	156 958	AEVU-40-20-P-A	157 004	AEVU-40-20-A-P-A	
	25	156 959	AEVU-40-25-P-A	157 005	AEVU-40-25-A-P-A	
50	10	156 960	AEVU-50-10-P-A	157 006	AEVU-50-10-A-P-A	
	15	156 961	AEVU-50-15-P-A	157 007	AEVU-50-15-A-P-A	
	20	156 962	AEVU-50-20-P-A	157 008	AEVU-50-20-A-P-A	
	25	156 963	AEVU-50-25-P-A	157 009	AEVU-50-25-A-P-A	
63	10	156 964	AEVU-63-10-P-A	157 010	AEVU-63-10-A-P-A	
	15	156 965	AEVU-63-15-P-A	157 011	AEVU-63-15-A-P-A	
	20	156 966	AEVU-63-20-P-A	157 012	AEVU-63-20-A-P-A	
	25	156 967	AEVU-63-25-P-A	157 013	AEVU-63-25-A-P-A	
80	10	156 968	AEVU-80-10-P-A	157 014	AEVU-80-10-A-P-A	
	15	156 969	AEVU-80-15-P-A	157 015	AEVU-80-15-A-P-A	
	20	156 970	AEVU-80-20-P-A	157 016	AEVU-80-20-A-P-A	
	25	156 971	AEVU-80-25-P-A	157 017	AEVU-80-25-A-P-A	
100	10	156 972	AEVU-100-10-P-A	157 018	AEVU-100-10-A-P-A	
	15	156 973	AEVU-100-15-P-A	157 019	AEVU-100-15-A-P-A	
	20	156 974	AEVU-100-20-P-A	157 020	AEVU-100-20-A-P-A	
	25	156 975	AEVU-100-25-P-A	157 021	AEVU-100-25-A-P-A	

Compact cylinders AEU/AEUZ

Technical data – Single-acting, basic version



FESTO


Ordering data – Pushing variants, AEU						
Type	Piston Ø [mm]	Stroke [mm]	Piston rod with female thread		Piston rod with male thread	
			Part No.	Type	Part No.	Type
Variable stroke						
	12	1 ... 10	156 220	AEVU-12-...-P-A	156 260	AEVU-12-...-A-P-A
	16	1 ... 25	156 221	AEVU-16-...-P-A	156 261	AEVU-16-...-A-P-A
	20	1 ... 25	156 222	AEVU-20-...-P-A	156 262	AEVU-20-...-A-P-A
	25	1 ... 25	156 223	AEVU-25-...-P-A	156 263	AEVU-25-...-A-P-A
	32	1 ... 25	156 224	AEVU-32-...-P-A	156 264	AEVU-32-...-A-P-A
	40	1 ... 25	156 225	AEVU-40-...-P-A	156 265	AEVU-40-...-A-P-A
	50	1 ... 25	156 226	AEVU-50-...-P-A	156 266	AEVU-50-...-A-P-A
	63	1 ... 25	156 227	AEVU-63-...-P-A	156 267	AEVU-63-...-A-P-A
	80	1 ... 25	156 228	AEVU-80-...-P-A	156 268	AEVU-80-...-A-P-A
	100	1 ... 25	156 229	AEVU-100-...-P-A	156 269	AEVU-100-...-A-P-A
S2 – Through piston rod						
	12	1 ... 10	156 230	AEVU-12-...-P-A-S2	156 270	AEVU-12-...-A-P-A-S2
	16	1 ... 25	156 231	AEVU-16-...-P-A-S2	156 271	AEVU-16-...-A-P-A-S2
	20	1 ... 25	156 232	AEVU-20-...-P-A-S2	156 272	AEVU-20-...-A-P-A-S2
	25	1 ... 25	156 233	AEVU-25-...-P-A-S2	156 273	AEVU-25-...-A-P-A-S2
	32	1 ... 25	156 234	AEVU-32-...-P-A-S2	156 274	AEVU-32-...-A-P-A-S2
	40	1 ... 25	156 235	AEVU-40-...-P-A-S2	156 275	AEVU-40-...-A-P-A-S2
	50	1 ... 25	156 236	AEVU-50-...-P-A-S2	156 276	AEVU-50-...-A-P-A-S2
	63	1 ... 25	156 237	AEVU-63-...-P-A-S2	156 277	AEVU-63-...-A-P-A-S2
	80	1 ... 25	156 238	AEVU-80-...-P-A-S2	156 278	AEVU-80-...-A-P-A-S2
	100	1 ... 25	156 239	AEVU-100-...-P-A-S2	156 279	AEVU-100-...-A-P-A-S2
S6 – Heat resistant up to 120 °C						
	12	1 ... 10	156 250	AEVU-12-...-P-A-S6	156 310	AEVU-12-...-A-P-A-S6
	16	1 ... 25	156 251	AEVU-16-...-P-A-S6	156 311	AEVU-16-...-A-P-A-S6
	20	1 ... 25	156 252	AEVU-20-...-P-A-S6	156 312	AEVU-20-...-A-P-A-S6
	25	1 ... 25	156 253	AEVU-25-...-P-A-S6	156 313	AEVU-25-...-A-P-A-S6
	32	1 ... 25	156 254	AEVU-32-...-P-A-S6	156 314	AEVU-32-...-A-P-A-S6
	40	1 ... 25	156 255	AEVU-40-...-P-A-S6	156 315	AEVU-40-...-A-P-A-S6
	50	1 ... 25	156 256	AEVU-50-...-P-A-S6	156 316	AEVU-50-...-A-P-A-S6
	63	1 ... 25	156 257	AEVU-63-...-P-A-S6	156 317	AEVU-63-...-A-P-A-S6
	80	1 ... 25	156 258	AEVU-80-...-P-A-S6	156 318	AEVU-80-...-A-P-A-S6
	100	1 ... 25	156 259	AEVU-100-...-P-A-S6	156 319	AEVU-100-...-A-P-A-S6
S26 – Through piston rod, heat resistant up to 120 °C						
	12	1 ... 10	156 240	AEVU-12-...-P-A-S26	156 300	AEVU-12-...-A-P-A-S26
	16	1 ... 25	156 241	AEVU-16-...-P-A-S26	156 301	AEVU-16-...-A-P-A-S26
	20	1 ... 25	156 242	AEVU-20-...-P-A-S26	156 302	AEVU-20-...-A-P-A-S26
	25	1 ... 25	156 243	AEVU-25-...-P-A-S26	156 303	AEVU-25-...-A-P-A-S26
	32	1 ... 25	156 244	AEVU-32-...-P-A-S26	156 304	AEVU-32-...-A-P-A-S26
	40	1 ... 25	156 245	AEVU-40-...-P-A-S26	156 305	AEVU-40-...-A-P-A-S26
	50	1 ... 25	156 246	AEVU-50-...-P-A-S26	156 306	AEVU-50-...-A-P-A-S26
	63	1 ... 25	156 247	AEVU-63-...-P-A-S26	156 307	AEVU-63-...-A-P-A-S26
	80	1 ... 25	156 248	AEVU-80-...-P-A-S26	156 308	AEVU-80-...-A-P-A-S26
	100	1 ... 25	156 249	AEVU-100-...-P-A-S26	156 309	AEVU-100-...-A-P-A-S26

Compact cylinders AEVU/AEVUZ

Technical data – Single-acting, basic version

FESTO


Ordering data – Pushing variants, AEVU						
Type	Piston Ø [mm]	Stroke [mm]	Piston rod with female thread		Piston rod with male thread	
			Part No.	Type	Part No.	Type
S20 – Through, hollow piston rod						
	12	1 ... 10	-		156 280	AEVU-12-...-A-P-A-S20
	16	1 ... 25	-		156 281	AEVU-16-...-A-P-A-S20
	20	1 ... 25	-		156 282	AEVU-20-...-A-P-A-S20
	25	1 ... 25	-		156 283	AEVU-25-...-A-P-A-S20
	32	1 ... 25	-		156 284	AEVU-32-...-A-P-A-S20
	40	1 ... 25	-		156 285	AEVU-40-...-A-P-A-S20
	50	1 ... 25	-		156 286	AEVU-50-...-A-P-A-S20
	63	1 ... 25	-		156 287	AEVU-63-...-A-P-A-S20
	80	1 ... 25	-		156 288	AEVU-80-...-A-P-A-S20
	100	1 ... 25	-		156 289	AEVU-100-...-A-P-A-S20
S206 – Through, hollow piston rod, heat resistant up to 120 °C						
	12	1 ... 10	-		156 290	AEVU-12-...-A-P-A-S206
	16	1 ... 25	-		156 291	AEVU-16-...-A-P-A-S206
	20	1 ... 25	-		156 292	AEVU-20-...-A-P-A-S206
	25	1 ... 25	-		156 293	AEVU-25-...-A-P-A-S206
	32	1 ... 25	-		156 294	AEVU-32-...-A-P-A-S206
	40	1 ... 25	-		156 295	AEVU-40-...-A-P-A-S206
	50	1 ... 25	-		156 296	AEVU-50-...-A-P-A-S206
	63	1 ... 25	-		156 297	AEVU-63-...-A-P-A-S206
	80	1 ... 25	-		156 298	AEVU-80-...-A-P-A-S206
	100	1 ... 25	-		156 299	AEVU-100-...-A-P-A-S206



Ordering data – Pulling variants, basic version, AEVUZ						
Type	Piston Ø [mm]	Stroke [mm]	Piston rod with female thread		Piston rod with male thread	
			Part No.	Type	Part No.	Type
	12	5	157 206	AEVUZ-12-5-P-A	157 252	AEVUZ-12-5-A-P-A
		10	157 207	AEVUZ-12-10-P-A	157 253	AEVUZ-12-10-A-P-A
	16	5	157 211	AEVUZ-16-5-P-A	157 257	AEVUZ-16-5-A-P-A
		10	157 212	AEVUZ-16-10-P-A	157 258	AEVUZ-16-10-A-P-A
		15	157 213	AEVUZ-16-15-P-A	157 259	AEVUZ-16-15-A-P-A
		20	157 214	AEVUZ-16-20-P-A	157 260	AEVUZ-16-20-A-P-A
		25	157 215	AEVUZ-16-25-P-A	157 261	AEVUZ-16-25-A-P-A
	20	5	157 216	AEVUZ-20-5-P-A	157 262	AEVUZ-20-5-A-P-A
		10	157 217	AEVUZ-20-10-P-A	157 263	AEVUZ-20-10-A-P-A
		15	157 218	AEVUZ-20-15-P-A	157 264	AEVUZ-20-15-A-P-A
		20	157 219	AEVUZ-20-20-P-A	157 265	AEVUZ-20-20-A-P-A
		25	157 220	AEVUZ-20-25-P-A	157 266	AEVUZ-20-25-A-P-A
	25	5	157 221	AEVUZ-25-5-P-A	157 267	AEVUZ-25-5-A-P-A
		10	157 222	AEVUZ-25-10-P-A	157 268	AEVUZ-25-10-A-P-A
		15	157 223	AEVUZ-25-15-P-A	157 269	AEVUZ-25-15-A-P-A
		20	157 224	AEVUZ-25-20-P-A	157 270	AEVUZ-25-20-A-P-A
		25	157 225	AEVUZ-25-25-P-A	157 271	AEVUZ-25-25-A-P-A
	32	5	157 226	AEVUZ-32-5-P-A	157 272	AEVUZ-32-5-A-P-A
		10	157 227	AEVUZ-32-10-P-A	157 273	AEVUZ-32-10-A-P-A
		15	157 228	AEVUZ-32-15-P-A	157 274	AEVUZ-32-15-A-P-A
20		157 229	AEVUZ-32-20-P-A	157 275	AEVUZ-32-20-A-P-A	
25		157 230	AEVUZ-32-25-P-A	157 276	AEVUZ-32-25-A-P-A	

Compact cylinders AEU/AEUVZ

Technical data – Single-acting, basic version

FESTO

Ordering data – Pulling variants, basic version, AEUZ						
Type	Piston Ø [mm]	Stroke [mm]	Piston rod with female thread		Piston rod with male thread	
			Part No.	Type	Part No.	Type
	40	5	157 231	AEUZ-40-5-P-A	157 277	AEUZ-40-5-A-P-A
		10	157 232	AEUZ-40-10-P-A	157 278	AEUZ-40-10-A-P-A
		15	157 233	AEUZ-40-15-P-A	157 279	AEUZ-40-15-A-P-A
		20	157 234	AEUZ-40-20-P-A	157 280	AEUZ-40-20-A-P-A
		25	157 235	AEUZ-40-25-P-A	157 281	AEUZ-40-25-A-P-A
	50	10	157 236	AEUZ-50-10-P-A	157 282	AEUZ-50-10-A-P-A
		15	157 237	AEUZ-50-15-P-A	157 283	AEUZ-50-15-A-P-A
		20	157 238	AEUZ-50-20-P-A	157 284	AEUZ-50-20-A-P-A
		25	157 239	AEUZ-50-25-P-A	157 285	AEUZ-50-25-A-P-A
	63	10	157 240	AEUZ-63-10-P-A	157 286	AEUZ-63-10-A-P-A
		15	157 241	AEUZ-63-15-P-A	157 287	AEUZ-63-15-A-P-A
		20	157 242	AEUZ-63-20-P-A	157 288	AEUZ-63-20-A-P-A
		25	157 243	AEUZ-63-25-P-A	157 289	AEUZ-63-25-A-P-A
	80	10	157 244	AEUZ-80-10-P-A	157 290	AEUZ-80-10-A-P-A
		15	157 245	AEUZ-80-15-P-A	157 291	AEUZ-80-15-A-P-A
		20	157 246	AEUZ-80-20-P-A	157 292	AEUZ-80-20-A-P-A
		25	157 247	AEUZ-80-25-P-A	157 293	AEUZ-80-25-A-P-A
	100	10	157 248	AEUZ-100-10-P-A	157 294	AEUZ-100-10-A-P-A
		15	157 249	AEUZ-100-15-P-A	157 295	AEUZ-100-15-A-P-A
		20	157 250	AEUZ-100-20-P-A	157 296	AEUZ-100-20-A-P-A
25		157 251	AEUZ-100-25-P-A	157 297	AEUZ-100-25-A-P-A	

Ordering data – Pulling variants, AEUZ						
Type	Piston Ø [mm]	Stroke [mm]	Piston rod with female thread		Piston rod with male thread	
			Part No.	Type	Part No.	Type
Variable stroke						
	12	1 ... 10	156 460	AEUZ-12-...-P-A	156 480	AEUZ-12-...-A-P-A
	16	1 ... 25	156 461	AEUZ-16-...-P-A	156 481	AEUZ-16-...-A-P-A
	20	1 ... 25	156 462	AEUZ-20-...-P-A	156 482	AEUZ-20-...-A-P-A
	25	1 ... 25	156 463	AEUZ-25-...-P-A	156 483	AEUZ-25-...-A-P-A
	32	1 ... 25	156 464	AEUZ-32-...-P-A	156 484	AEUZ-32-...-A-P-A
	40	1 ... 25	156 465	AEUZ-40-...-P-A	156 485	AEUZ-40-...-A-P-A
	50	1 ... 25	156 466	AEUZ-50-...-P-A	156 486	AEUZ-50-...-A-P-A
	63	1 ... 25	156 467	AEUZ-63-...-P-A	156 487	AEUZ-63-...-A-P-A
	80	1 ... 25	156 468	AEUZ-80-...-P-A	156 488	AEUZ-80-...-A-P-A
	100	1 ... 25	156 469	AEUZ-100-...-P-A	156 489	AEUZ-100-...-A-P-A
S6 – Heat resistant up to 120 °C						
	12	1 ... 10	156 470	AEUZ-12-...-P-A-S6	156 490	AEUZ-12-...-A-P-A-S6
	16	1 ... 25	156 471	AEUZ-16-...-P-A-S6	156 491	AEUZ-16-...-A-P-A-S6
	20	1 ... 25	156 472	AEUZ-20-...-P-A-S6	156 492	AEUZ-20-...-A-P-A-S6
	25	1 ... 25	156 473	AEUZ-25-...-P-A-S6	156 493	AEUZ-25-...-A-P-A-S6
	32	1 ... 25	156 474	AEUZ-32-...-P-A-S6	156 494	AEUZ-32-...-A-P-A-S6
	40	1 ... 25	156 475	AEUZ-40-...-P-A-S6	156 495	AEUZ-40-...-A-P-A-S6
	50	1 ... 25	156 476	AEUZ-50-...-P-A-S6	156 496	AEUZ-50-...-A-P-A-S6
	63	1 ... 25	156 477	AEUZ-63-...-P-A-S6	156 497	AEUZ-63-...-A-P-A-S6
	80	1 ... 25	156 478	AEUZ-80-...-P-A-S6	156 498	AEUZ-80-...-A-P-A-S6
	100	1 ... 25	156 479	AEUZ-100-...-P-A-S6	156 499	AEUZ-100-...-A-P-A-S6

Compact cylinders AEVU/AEVUZ

Technical data – Single-acting, basic version

Ordering data – Wearing parts kits			
	Part No.	Type	
Piston Ø	Basic version		S6 – Heat resistant up to 120 °C
12	121 115	AEVU-12-...-(A)-P-A ¹⁾	383 559 AEVU-12-...-(A)-P-A-S6 ²⁾
16	121 116	AEVU-16-...-(A)-P-A ¹⁾	383 560 AEVU-16-...-(A)-P-A-S6 ²⁾
20	121 117	AEVU-20-...-(A)-P-A ¹⁾	383 561 AEVU-20-...-(A)-P-A-S6 ²⁾
25	121 118	AEVU-25-...-(A)-P-A ¹⁾	383 562 AEVU-25-...-(A)-P-A-S6 ²⁾
32	121 119	AEVU-32-...-(A)-P-A ¹⁾	383 563 AEVU-32-...-(A)-P-A-S6 ¹⁾
40	121 120	AEVU-40-...-(A)-P-A ¹⁾	383 564 AEVU-40-...-(A)-P-A-S6 ¹⁾
50	121 121	AEVU-50-...-(A)-P-A ¹⁾	383 565 AEVU-50-...-(A)-P-A-S6 ¹⁾
63	121 122	AEVU-63-...-(A)-P-A ¹⁾	383 566 AEVU-63-...-(A)-P-A-S6 ¹⁾
80	121 123	AEVU-80-...-(A)-P-A ¹⁾	383 567 AEVU-80-...-(A)-P-A-S6 ¹⁾
100	121 124	AEVU-100-...-(A)-P-A ¹⁾	383 568 AEVU-100-...-(A)-P-A-S6 ¹⁾

1) Assembly grease included in scope of delivery

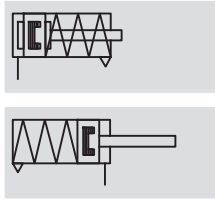
2) Assembly grease not included in scope of delivery. If required, please order separately under part no. 329 555 (20 ml)

Compact cylinders AEVULQ/AEVULQZ

Technical data – Single-acting, non-rotating with square piston rod

FESTO

Function

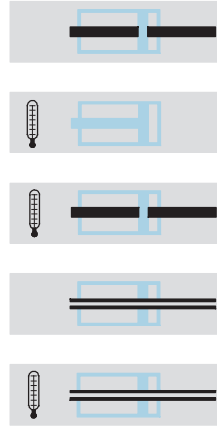


⌀ - Diameter
16 ... 100 mm

- | - Stroke length
1 ... 25 mm

- | - www.festo.com

Variants



S2

S6

S26

S20

S206



AEVULQ-...-P-A



AEVULQ-...-P-A-S2

General technical data										
Piston Ø	16	20	25	32	40	50	63	80	100	
Pneumatic connection	M5	M5	M5	G1/8	G1/8	G1/8	G1/8	G1/8	G1/4	
End of piston rod	Female thread	M4	M5	M5	M6	M6	M8	M8	M10	M12
	Male thread	M8	M10x1.25				M12x1.25	M16x1.5	M20x1.5	
Operating medium	Filtered compressed air, lubricated or unlubricated									
Constructional design	Piston									
	Piston rod									
Cushioning	Flexible cushioning rings/plates at both ends									
Position sensing	For proximity sensing									
Type of mounting	Via through-holes									
	Via female thread									
	Via accessories									
Mounting position	Any									

- | - Note: This product conforms to ISO 1179-1 and to ISO 228-1

Operating pressure [bar]									
Piston Ø	16	20	25	32	40	50	63	80	100
Pushing variant AEVULQ									
Piston rod at one end	1.3 ... 10		1.0 ... 10		0.8 ... 10		0.6 ... 10		
Through piston rod S2/S20	1.5 ... 10		1.4 ... 10		1.2 ... 10		1.0 ... 10		
Pulling variant AEVULQZ									
Piston rod at one end	1.3 ... 10		1.0 ... 10		0.8 ... 10				

Ambient conditions		
Compact cylinder	Basic version	S6
Ambient temperature ¹⁾	[°C]	-20 ... +80
Corrosion resistance class CRC ²⁾	2	2

1) Note operating range of proximity sensors

2) Corrosion resistance class 2 according to Festo standard 940 070

Components requiring moderate corrosion resistance. Externally visible parts with primarily decorative surface requirements which are in direct contact with a surrounding industrial atmosphere or media such as cooling or lubricating agents

Compact cylinders AEVULQ/AEVULQZ

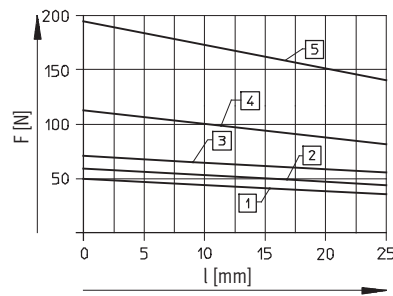
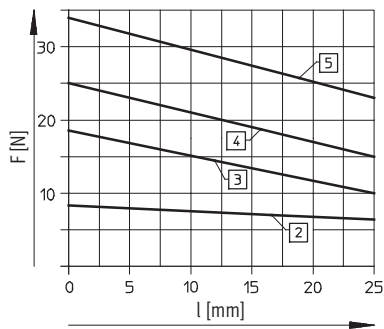
Technical data – Single-acting, non-rotating with square piston rod

Forces [N]									
Piston Ø	16	20	25	32	40	50	63	80	100
Pushing variant AEVULQ									
Theoretical force at 6 bar, advancing	111	171	269	450	704	1121	1799	2902	4516
S2/S20	81	123	221	382	636	999	1679	2733	4222
Pulling variant AEVULQZ									
Theoretical force at 6 bar, advancing	81	123	221	382	636	999	1679	2733	4222

Technical data – Square piston rod									
Piston Ø	16	20	25	32	40	50	63	80	100
Max. torque at the piston rod ¹⁾ [Nm]	0.20	0.45	0.45	0.80	0.80	1.10	1.10	1.50	3.00
Max. torsional backlash of piston rod [°]	±0.9	±0.8	±0.8	±0.6	±0.6	±0.5	±0.5	±0.4	±0.4
Piston rod distortion [°/50 mm]	0.30	0.25	0.25	0.20	0.20	0.15	0.15	0.15	0.09

1) The max. torque must not be exceeded even when fitting attachments

Spring return force F as a function of the stroke l



- 2) AEVULQ/AEVULQZ-16
- 3) AEVULQ/AEVULQZ-20
- 4) AEVULQ/AEVULQZ-25
- 5) AEVULQ/AEVULQZ-32

- 1) AEVULQ/AEVULQZ-40
- 2) AEVULQ/AEVULQZ-50
- 3) AEVULQ/AEVULQZ-63
- 4) AEVULQ/AEVULQZ-80
- 5) AEVULQ/AEVULQZ-100

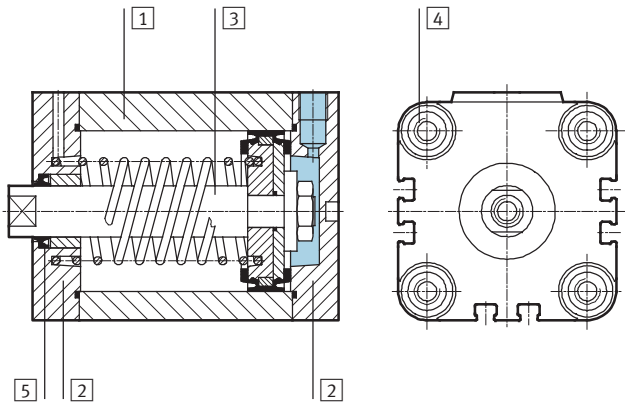
Weights [g]									
Piston Ø	16	20	25	32	40	50	63	80	100
Product weight with 0 mm stroke	89	149	180	300	433	560	1059	1772	2797
Additional weight per 10 mm stroke	15	23	28	40	59	72	107	168	177
Moving load with 0 mm stroke	12	20	26	49	63	112	134	307	614
Additional load per 10 mm stroke	4	6	6	9	9	16	16	25	38

Compact cylinders AEVULQ/AEVULQZ

Technical data – Single-acting, non-rotating with square piston rod

Materials

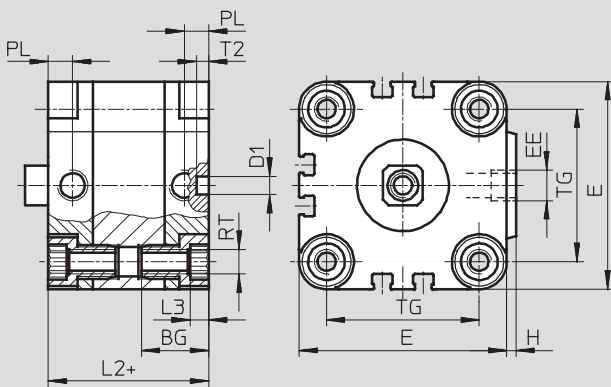
Sectional view





Compact cylinder	Basic version	S6
1 Cylinder barrel	Wrought aluminium alloy	Wrought aluminium alloy
2 End cap	Wrought aluminium alloy	Wrought aluminium alloy
3 Piston rod	∅ 16 ... 32	High-alloy stainless steel
	∅ 40 ... 100	High-alloy steel
4 Flange screws	∅ 16	High-alloy stainless steel
	∅ 20 ... 100	Tempered steel
5 Dynamic seals	Polyurethane	Fluorocarbon rubber

Dimensions – Basic cylinder


Download CAD data → www.festo.com



-  - Note
To attach cylinder ∅ 16 mm from above, use only 2 screws diagonally or non-magnetic screws.
+ = plus stroke length

 Minimum screw-in depth

∅	BG	D1	E	EE	H	L2	L3	L4	PL	RT	T2	TG
[mm]		∅ H9									-0.2	
16	18.5	6	29	M5	1	38	3	16	8	M4	4	18
20	18.5	6	36	M5	1.5	38	4	18	8	M5	4	22
25	18.5	6	40	M5	1.5	39.5	4	18	8	M5	4	26
32	21.5	6	50	G1/8	2	44.5	5	20	8	M6	4	32
40	21.5	6	60	G1/8	2.5	45.5	5	20	8	M6	4	42
50	22	6	68	G1/8	3	45.5	6	20	8	M8	4	50
63	24.5	8	87	G1/8	4	50	8	25	8	M10	4	62
80	27.5	8	107	G1/8	4	56	8	25	8.5	M10	4	82
100	32.5	8	128	G1/4	5	66.5	8	25	10.5	M10	4	103

-  - Note: This product conforms to ISO 1179-1 and to ISO 228-1

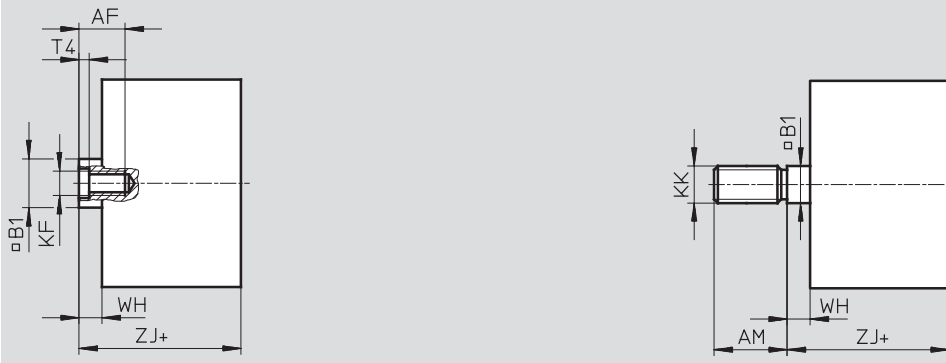
Compact cylinders AEVULQ/AEVULQZ

Technical data – Single-acting, non-rotating with square piston rod

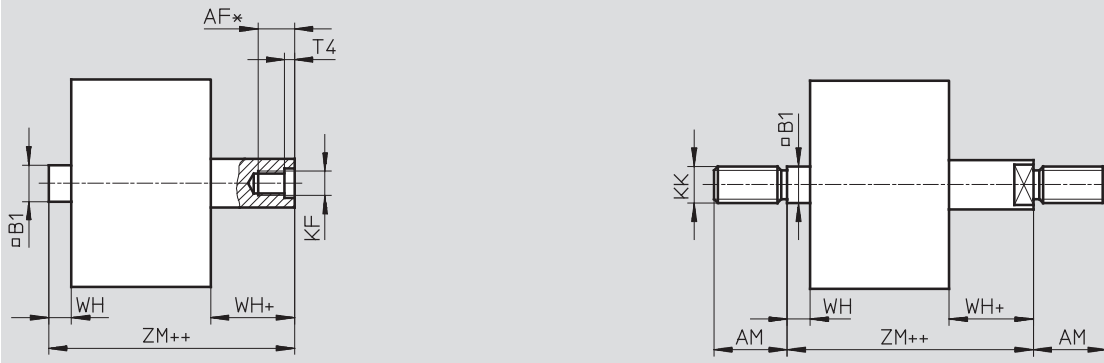
Dimensions – Pushing variants, AEVULQ

Download CAD data → www.festo.com

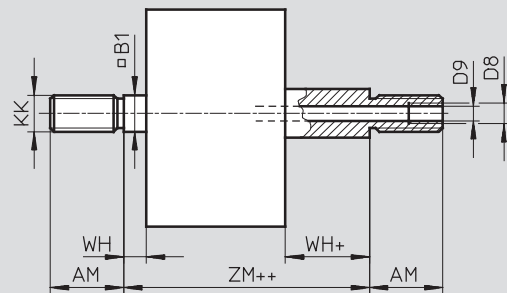
Basic version



S2 – Through piston rod



S20 – Through, hollow piston rod



+ = plus stroke length
++ = plus 2x stroke length

∅ [mm]	AF	AM	B1 □	D8	D9 ∅	Kf	KK	T4	WH	ZJ	ZM
16	10	20	7	–	3.2	M4	M8	1.5	4.5	42.5	47
20 ²⁾	12	22	9	–	3.8	M5	M10x1.25	2	4.5	42.5	47
25 ²⁾	12	22	9	–	3.8	M5	M10x1.25	2	5.5	45	50.5
32 ²⁾	14	22	10	–	4.5	M6	M10x1.25	2.6	6	50.5	56.5
40 ²⁾	14	22	10	–	4.5	M6	M10x1.25	2.6	6.5	52	58.5
50 ²⁾	16	24	12	–	6	M8	M12x1.25	3.3	7.5	53	60.5
63 ²⁾	16	24	12	–	6	M8	M12x1.25	3.3	7.5	57.5	65
80 ²⁾	20 ¹⁾	32	16	G ¹ / ₈	8	M10	M16x1.5	4.7	8	64	72
100 ²⁾	24 ¹⁾	40	20	G ¹ / ₄	11.7	M12	M20x1.5	6.1	10	76.5	86.5

1) With a stroke < 5 mm, the maximum screw-in depth is reduced by 5 mm

2) Nut for piston rod thread included in scope of delivery

Compact cylinders AEVULQ/AEVULQZ

Technical data – Single-acting, non-rotating with square piston rod

Dimensions – Pulling variants, AEVULQZ

Download CAD data → www.festo.com




+ = plus stroke length
 ++ = plus 2x stroke length

∅ [mm]	AF	AM	B1 □	KF	KK	T4	WH	ZJ
16	10	20	7	M4	M8	1.5	4.5	42.5
20 ¹⁾	12	22	9	M5	M10x1.25	2	4.5	42.5
25 ¹⁾	12	22	9	M5	M10x1.25	2	5.5	45
32 ¹⁾	14	22	10	M6	M10x1.25	2.6	6	50.5
40 ¹⁾	14	22	10	M6	M10x1.25	2.6	6.5	52
50 ¹⁾	16	24	12	M8	M12x1.25	3.3	7.5	53
63 ¹⁾	16	24	12	M8	M12x1.25	3.3	7.5	57.5
80 ¹⁾	20	32	16	M10	M16x1.5	4.7	8	64
100 ¹⁾	24	40	20	M12	M20x1.5	6.1	10	76.5

1) Nut for piston rod thread included in scope of delivery

Compact cylinders AEVULQ/AEVULQZ






Technical data – Single-acting, non-rotating with square piston rod

Ordering data – Pushing variants, basic version, AEVULQ						
Type	Piston Ø [mm]	Stroke [mm]	Piston rod with female thread		Piston rod with male thread	
			Part No.	Type	Part No.	Type
	16	5	157 027	AEVULQ-16-5-P-A	157 073	AEVULQ-16-5-A-P-A
		10	157 028	AEVULQ-16-10-P-A	157 074	AEVULQ-16-10-A-P-A
		15	157 029	AEVULQ-16-15-P-A	157 075	AEVULQ-16-15-A-P-A
		20	157 030	AEVULQ-16-20-P-A	157 076	AEVULQ-16-20-A-P-A
		25	157 031	AEVULQ-16-25-P-A	157 077	AEVULQ-16-25-A-P-A
	20	5	157 032	AEVULQ-20-5-P-A	157 078	AEVULQ-20-5-A-P-A
		10	157 033	AEVULQ-20-10-P-A	157 079	AEVULQ-20-10-A-P-A
		15	157 034	AEVULQ-20-15-P-A	157 080	AEVULQ-20-15-A-P-A
		20	157 035	AEVULQ-20-20-P-A	157 081	AEVULQ-20-20-A-P-A
		25	157 036	AEVULQ-20-25-P-A	157 082	AEVULQ-20-25-A-P-A
	25	5	157 037	AEVULQ-25-5-P-A	157 083	AEVULQ-25-5-A-P-A
		10	157 038	AEVULQ-25-10-P-A	157 084	AEVULQ-25-10-A-P-A
		15	157 039	AEVULQ-25-15-P-A	157 085	AEVULQ-25-15-A-P-A
		20	157 040	AEVULQ-25-20-P-A	157 086	AEVULQ-25-20-A-P-A
		25	157 041	AEVULQ-25-25-P-A	157 087	AEVULQ-25-25-A-P-A
	32	5	157 042	AEVULQ-32-5-P-A	157 088	AEVULQ-32-5-A-P-A
		10	157 043	AEVULQ-32-10-P-A	157 089	AEVULQ-32-10-A-P-A
		15	157 044	AEVULQ-32-15-P-A	157 090	AEVULQ-32-15-A-P-A
		20	157 045	AEVULQ-32-20-P-A	157 091	AEVULQ-32-20-A-P-A
		25	157 046	AEVULQ-32-25-P-A	157 092	AEVULQ-32-25-A-P-A
40	5	157 047	AEVULQ-40-5-P-A	157 093	AEVULQ-40-5-A-P-A	
	10	157 048	AEVULQ-40-10-P-A	157 094	AEVULQ-40-10-A-P-A	
	15	157 049	AEVULQ-40-15-P-A	157 095	AEVULQ-40-15-A-P-A	
	20	157 050	AEVULQ-40-20-P-A	157 096	AEVULQ-40-20-A-P-A	
	25	157 051	AEVULQ-40-25-P-A	157 097	AEVULQ-40-25-A-P-A	
50	10	157 052	AEVULQ-50-10-P-A	157 098	AEVULQ-50-10-A-P-A	
	15	157 053	AEVULQ-50-15-P-A	157 099	AEVULQ-50-15-A-P-A	
	20	157 054	AEVULQ-50-20-P-A	157 100	AEVULQ-50-20-A-P-A	
	25	157 055	AEVULQ-50-25-P-A	157 101	AEVULQ-50-25-A-P-A	
63	10	157 056	AEVULQ-63-10-P-A	157 102	AEVULQ-63-10-A-P-A	
	15	157 057	AEVULQ-63-15-P-A	157 103	AEVULQ-63-15-A-P-A	
	20	157 058	AEVULQ-63-20-P-A	157 104	AEVULQ-63-20-A-P-A	
	25	157 059	AEVULQ-63-25-P-A	157 105	AEVULQ-63-25-A-P-A	
80	10	157 060	AEVULQ-80-10-P-A	157 106	AEVULQ-80-10-A-P-A	
	15	157 061	AEVULQ-80-15-P-A	157 107	AEVULQ-80-15-A-P-A	
	20	157 062	AEVULQ-80-20-P-A	157 108	AEVULQ-80-20-A-P-A	
	25	157 063	AEVULQ-80-25-P-A	157 109	AEVULQ-80-25-A-P-A	
100	10	157 064	AEVULQ-100-10-P-A	157 110	AEVULQ-100-10-A-P-A	
	15	157 065	AEVULQ-100-15-P-A	157 111	AEVULQ-100-15-A-P-A	
	20	157 066	AEVULQ-100-20-P-A	157 112	AEVULQ-100-20-A-P-A	
	25	157 067	AEVULQ-100-25-P-A	157 113	AEVULQ-100-25-A-P-A	

Compact cylinders AEVULQ/AEVULQZ

FESTO

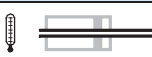
Technical data – Single-acting, non-rotating with square piston rod


Ordering data – Pushing variants, AEVULQ						
Type	Piston Ø [mm]	Stroke [mm]	Piston rod with female thread		Piston rod with male thread	
			Part No.	Type	Part No.	Type
Variable stroke						
	16	1 ... 25	156 321	AEVULQ-16-...-P-A	156 361	AEVULQ-16-...-A-P-A
	20	1 ... 25	156 322	AEVULQ-20-...-P-A	156 362	AEVULQ-20-...-A-P-A
	25	1 ... 25	156 323	AEVULQ-25-...-P-A	156 363	AEVULQ-25-...-A-P-A
	32	1 ... 25	156 324	AEVULQ-32-...-P-A	156 364	AEVULQ-32-...-A-P-A
	40	1 ... 25	156 325	AEVULQ-40-...-P-A	156 365	AEVULQ-40-...-A-P-A
	50	1 ... 25	156 326	AEVULQ-50-...-P-A	156 366	AEVULQ-50-...-A-P-A
	63	1 ... 25	156 327	AEVULQ-63-...-P-A	156 367	AEVULQ-63-...-A-P-A
	80	1 ... 25	156 328	AEVULQ-80-...-P-A	156 368	AEVULQ-80-...-A-P-A
	100	1 ... 25	156 329	AEVULQ-100-...-P-A	156 369	AEVULQ-100-...-A-P-A
S2 – Through piston rod						
	16	1 ... 25	156 331	AEVULQ-16-...-P-A-S2	156 371	AEVULQ-16-...-A-P-A-S2
	20	1 ... 25	156 332	AEVULQ-20-...-P-A-S2	156 372	AEVULQ-20-...-A-P-A-S2
	25	1 ... 25	156 333	AEVULQ-25-...-P-A-S2	156 373	AEVULQ-25-...-A-P-A-S2
	32	1 ... 25	156 334	AEVULQ-32-...-P-A-S2	156 374	AEVULQ-32-...-A-P-A-S2
	40	1 ... 25	156 335	AEVULQ-40-...-P-A-S2	156 375	AEVULQ-40-...-A-P-A-S2
	50	1 ... 25	156 336	AEVULQ-50-...-P-A-S2	156 376	AEVULQ-50-...-A-P-A-S2
	63	1 ... 25	156 337	AEVULQ-63-...-P-A-S2	156 377	AEVULQ-63-...-A-P-A-S2
	80	1 ... 25	156 338	AEVULQ-80-...-P-A-S2	156 378	AEVULQ-80-...-A-P-A-S2
	100	1 ... 25	156 339	AEVULQ-100-...-P-A-S2	156 379	AEVULQ-100-...-A-P-A-S2
S6 – Heat resistant up to 120 °C						
	16	1 ... 25	156 351	AEVULQ-16-...-P-A-S6	156 411	AEVULQ-16-...-A-P-A-S6
	20	1 ... 25	156 352	AEVULQ-20-...-P-A-S6	156 412	AEVULQ-20-...-A-P-A-S6
	25	1 ... 25	156 353	AEVULQ-25-...-P-A-S6	156 413	AEVULQ-25-...-A-P-A-S6
	32	1 ... 25	156 354	AEVULQ-32-...-P-A-S6	156 414	AEVULQ-32-...-A-P-A-S6
	40	1 ... 25	156 355	AEVULQ-40-...-P-A-S6	156 415	AEVULQ-40-...-A-P-A-S6
	50	1 ... 25	156 356	AEVULQ-50-...-P-A-S6	156 416	AEVULQ-50-...-A-P-A-S6
	63	1 ... 25	156 357	AEVULQ-63-...-P-A-S6	156 417	AEVULQ-63-...-A-P-A-S6
	80	1 ... 25	156 358	AEVULQ-80-...-P-A-S6	156 418	AEVULQ-80-...-A-P-A-S6
	100	1 ... 25	156 359	AEVULQ-100-...-P-A-S6	156 419	AEVULQ-100-...-A-P-A-S6
S26 – Through piston rod, heat resistant up to 120 °C						
	16	1 ... 25	156 341	AEVULQ-16-...-P-A-S26	156 401	AEVULQ-16-...-A-P-A-S26
	20	1 ... 25	156 342	AEVULQ-20-...-P-A-S26	156 402	AEVULQ-20-...-A-P-A-S26
	25	1 ... 25	156 343	AEVULQ-25-...-P-A-S26	156 403	AEVULQ-25-...-A-P-A-S26
	32	1 ... 25	156 344	AEVULQ-32-...-P-A-S26	156 404	AEVULQ-32-...-A-P-A-S26
	40	1 ... 25	156 345	AEVULQ-40-...-P-A-S26	156 405	AEVULQ-40-...-A-P-A-S26
	50	1 ... 25	156 346	AEVULQ-50-...-P-A-S26	156 406	AEVULQ-50-...-A-P-A-S26
	63	1 ... 25	156 347	AEVULQ-63-...-P-A-S26	156 407	AEVULQ-63-...-A-P-A-S26
	80	1 ... 25	156 348	AEVULQ-80-...-P-A-S26	156 408	AEVULQ-80-...-A-P-A-S26
	100	1 ... 25	156 349	AEVULQ-100-...-P-A-S26	156 409	AEVULQ-100-...-A-P-A-S26
S20 – Through, hollow piston rod						
	16	1 ... 25	-		156 381	AEVULQ-16-...-A-P-A-S20
	20	1 ... 25	-		156 382	AEVULQ-20-...-A-P-A-S20
	25	1 ... 25	-		156 383	AEVULQ-25-...-A-P-A-S20
	32	1 ... 25	-		156 384	AEVULQ-32-...-A-P-A-S20
	40	1 ... 25	-		156 385	AEVULQ-40-...-A-P-A-S20
	50	1 ... 25	-		156 386	AEVULQ-50-...-A-P-A-S20
	63	1 ... 25	-		156 387	AEVULQ-63-...-A-P-A-S20
	80	1 ... 25	-		156 388	AEVULQ-80-...-A-P-A-S20
	100	1 ... 25	-		156 389	AEVULQ-100-...-A-P-A-S20

Compact cylinders AEVULQ/AEVULQZ

FESTO

Technical data – Single-acting, non-rotating with square piston rod


Ordering data – Pushing variants, AEVULQ						
Type	Piston Ø [mm]	Stroke [mm]	Piston rod with female thread		Piston rod with male thread	
			Part No.	Type	Part No.	Type
S206 – Through, hollow piston rod, heat resistant up to 120 °C						
	16	1 ... 25	-		156 391	AEVULQ-16-...-A-P-A-S206
	20	1 ... 25	-		156 392	AEVULQ-20-...-A-P-A-S206
	25	1 ... 25	-		156 393	AEVULQ-25-...-A-P-A-S206
	32	1 ... 25	-		156 394	AEVULQ-32-...-A-P-A-S206
	40	1 ... 25	-		156 395	AEVULQ-40-...-A-P-A-S206
	50	1 ... 25	-		156 396	AEVULQ-50-...-A-P-A-S206
	63	1 ... 25	-		156 397	AEVULQ-63-...-A-P-A-S206
	80	1 ... 25	-		156 398	AEVULQ-80-...-A-P-A-S206
	100	1 ... 25	-		156 399	AEVULQ-100-...-A-P-A-S206


Ordering data – Pulling variants, basic version, AEVULQZ						
Type	Piston Ø [mm]	Stroke [mm]	Piston rod with female thread		Piston rod with male thread	
			Part No.	Type	Part No.	Type
	16	5	157 119	AEVULQZ-16-5-P-A	157 165	AEVULQZ-16-5-A-P-A
		10	157 120	AEVULQZ-16-10-P-A	157 166	AEVULQZ-16-10-A-P-A
		15	157 121	AEVULQZ-16-15-P-A	157 167	AEVULQZ-16-15-A-P-A
		20	157 122	AEVULQZ-16-20-P-A	157 168	AEVULQZ-16-20-A-P-A
		25	157 123	AEVULQZ-16-25-P-A	157 169	AEVULQZ-16-25-A-P-A
	20	5	157 124	AEVULQZ-20-5-P-A	157 170	AEVULQZ-20-5-A-P-A
		10	157 125	AEVULQZ-20-10-P-A	157 171	AEVULQZ-20-10-A-P-A
		15	157 126	AEVULQZ-20-15-P-A	157 172	AEVULQZ-20-15-A-P-A
		20	157 127	AEVULQZ-20-20-P-A	157 173	AEVULQZ-20-20-A-P-A
		25	157 128	AEVULQZ-20-25-P-A	157 174	AEVULQZ-20-25-A-P-A
	25	5	157 129	AEVULQZ-25-5-P-A	157 175	AEVULQZ-25-5-A-P-A
		10	157 130	AEVULQZ-25-10-P-A	157 176	AEVULQZ-25-10-A-P-A
		15	157 131	AEVULQZ-25-15-P-A	157 177	AEVULQZ-25-15-A-P-A
		20	157 132	AEVULQZ-25-20-P-A	157 178	AEVULQZ-25-20-A-P-A
		25	157 133	AEVULQZ-25-25-P-A	157 179	AEVULQZ-25-25-A-P-A
	32	5	157 134	AEVULQZ-32-5-P-A	157 180	AEVULQZ-32-5-A-P-A
		10	157 135	AEVULQZ-32-10-P-A	157 181	AEVULQZ-32-10-A-P-A
		15	157 136	AEVULQZ-32-15-P-A	157 182	AEVULQZ-32-15-A-P-A
		20	157 137	AEVULQZ-32-20-P-A	157 183	AEVULQZ-32-20-A-P-A
		25	157 138	AEVULQZ-32-25-P-A	157 184	AEVULQZ-32-25-A-P-A
	40	5	157 139	AEVULQZ-40-5-P-A	157 185	AEVULQZ-40-5-A-P-A
		10	157 140	AEVULQZ-40-10-P-A	157 186	AEVULQZ-40-10-A-P-A
		15	157 141	AEVULQZ-40-15-P-A	157 187	AEVULQZ-40-15-A-P-A
		20	157 142	AEVULQZ-40-20-P-A	157 188	AEVULQZ-40-20-A-P-A
		25	157 143	AEVULQZ-40-25-P-A	157 189	AEVULQZ-40-25-A-P-A
50	10	157 144	AEVULQZ-50-10-P-A	157 190	AEVULQZ-50-10-A-P-A	
	15	157 145	AEVULQZ-50-15-P-A	157 191	AEVULQZ-50-15-A-P-A	
	20	157 146	AEVULQZ-50-20-P-A	157 192	AEVULQZ-50-20-A-P-A	
	25	157 147	AEVULQZ-50-25-P-A	157 193	AEVULQZ-50-25-A-P-A	
63	10	157 148	AEVULQZ-63-10-P-A	157 194	AEVULQZ-63-10-A-P-A	
	15	157 149	AEVULQZ-63-15-P-A	157 195	AEVULQZ-63-15-A-P-A	
	20	157 150	AEVULQZ-63-20-P-A	157 196	AEVULQZ-63-20-A-P-A	
	25	157 151	AEVULQZ-63-25-P-A	157 197	AEVULQZ-63-25-A-P-A	


Compact cylinders AEVULQ/AEVULQZ

FESTO

Technical data – Single-acting, non-rotating with square piston rod

Ordering data – Pulling variants, basic version, AEVULQZ						
Type	Piston Ø [mm]	Stroke [mm]	Piston rod with female thread		Piston rod with male thread	
			Part No.	Type	Part No.	Type
	80	10	157 152	AEVULQZ-80-10-P-A	157 198	AEVULQZ-80-10-A-P-A
		15	157 153	AEVULQZ-80-15-P-A	157 199	AEVULQZ-80-15-A-P-A
		20	157 154	AEVULQZ-80-20-P-A	157 200	AEVULQZ-80-20-A-P-A
		25	157 155	AEVULQZ-80-25-P-A	157 201	AEVULQZ-80-25-A-P-A
	100	10	157 156	AEVULQZ-100-10-P-A	157 202	AEVULQZ-100-10-A-P-A
		15	157 157	AEVULQZ-100-15-P-A	157 203	AEVULQZ-100-15-A-P-A
		20	157 158	AEVULQZ-100-20-P-A	157 204	AEVULQZ-100-20-A-P-A
		25	157 159	AEVULQZ-100-25-P-A	157 205	AEVULQZ-100-25-A-P-A

Ordering data – Pulling variants, AEVULQZ						
Type	Piston Ø [mm]	Stroke [mm]	Piston rod with female thread		Piston rod with male thread	
			Part No.	Type	Part No.	Type
Variable stroke						
	16	1 ... 25	156 421	AEVULQZ-16-...-P-A	156 441	AEVULQZ-16-...-A-P-A
	20	1 ... 25	156 422	AEVULQZ-20-...-P-A	156 442	AEVULQZ-20-...-A-P-A
	25	1 ... 25	156 423	AEVULQZ-25-...-P-A	156 443	AEVULQZ-25-...-A-P-A
	32	1 ... 25	156 424	AEVULQZ-32-...-P-A	156 444	AEVULQZ-32-...-A-P-A
	40	1 ... 25	156 425	AEVULQZ-40-...-P-A	156 445	AEVULQZ-40-...-A-P-A
	50	1 ... 25	156 426	AEVULQZ-50-...-P-A	156 446	AEVULQZ-50-...-A-P-A
	63	1 ... 25	156 427	AEVULQZ-63-...-P-A	156 447	AEVULQZ-63-...-A-P-A
	80	1 ... 25	156 428	AEVULQZ-80-...-P-A	156 448	AEVULQZ-80-...-A-P-A
	100	1 ... 25	156 429	AEVULQZ-100-...-P-A	156 449	AEVULQZ-100-...-A-P-A

S6 – Heat resistant up to 120 °C						
	16	1 ... 25	156 431	AEVULQZ-16-...-P-A-S6	156 451	AEVULQZ-16-...-A-P-A-S6
	20	1 ... 25	156 432	AEVULQZ-20-...-P-A-S6	156 452	AEVULQZ-20-...-A-P-A-S6
	25	1 ... 25	156 433	AEVULQZ-25-...-P-A-S6	156 453	AEVULQZ-25-...-A-P-A-S6
	32	1 ... 25	156 434	AEVULQZ-32-...-P-A-S6	156 454	AEVULQZ-32-...-A-P-A-S6
	40	1 ... 25	156 435	AEVULQZ-40-...-P-A-S6	156 455	AEVULQZ-40-...-A-P-A-S6
	50	1 ... 25	156 436	AEVULQZ-50-...-P-A-S6	156 456	AEVULQZ-50-...-A-P-A-S6
	63	1 ... 25	156 437	AEVULQZ-63-...-P-A-S6	156 457	AEVULQZ-63-...-A-P-A-S6
	80	1 ... 25	156 438	AEVULQZ-80-...-P-A-S6	156 458	AEVULQZ-80-...-A-P-A-S6
	100	1 ... 25	156 439	AEVULQZ-100-...-P-A-S6	156 459	AEVULQZ-100-...-A-P-A-S6

Compact cylinders ADVU/AEVU

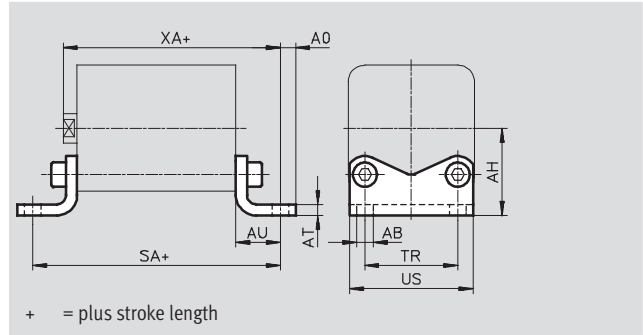
Accessories

Foot mounting HUA
for piston \varnothing 12 ... 100 mm

Foot mounting HNC
for piston \varnothing 125 mm
(not illustrated)

Material:

HUA/HNC: Galvanised steel
HUA-...-R3: Steel, silver protective coating, high corrosion protection
Free of copper, PTFE and silicone



Dimensions and ordering data											
For \varnothing	AB \varnothing	AH	AO	AT	AU	SA		TR	US	XA	
						Basic version	S1			Basic version	S1
12/16	5.5	22	4.75	3	13	64	-	18	27	55.5	-
20	6.6	27	6.25	4	16	70	-	22	34	58.5	-
25	6.6	29	6.25	4	16	71.5	77.5	26	38	61	73
32	6.6	34	8.25	5	18	80.5	-	32	48	68.5	-
40	9	40.5	8.25	5	20	85.5	92.5	42	58	72	89
50	9	47	8.25	6	24	93.5	-	50	66	77	-
63	11	56.5	11.75	6	27	104	112	62	85	84.5	106.5
80	11	68.5	11.75	8	30	116	-	82	105	94	-
100	13.5	81	11.75	8	33	132.5	143.5	103	126	109.5	137.5
125	16.5	90	22	8	45	171	-	90	131	144	-

For \varnothing	Weight [g]	Basic version			High corrosion protection		
		CRC ¹⁾	Part No.	Type	CRC ¹⁾	Part No.	Type
12/16	39	2	157 309	HUA-12/16	3	176 873	HUA-12/16-R3
20	78	2	157 310	HUA-20	3	176 874	HUA-20-R3
25	90	2	157 311	HUA-25	3	176 875	HUA-25-R3
32	155	2	157 312	HUA-32	3	176 876	HUA-32-R3
40	201	2	157 313	HUA-40	3	176 877	HUA-40-R3
50	314	2	157 314	HUA-50	3	176 878	HUA-50-R3
63	550	2	157 315	HUA-63	3	176 879	HUA-63-R3
80	825	2	157 316	HUA-80	3	176 880	HUA-80-R3
100	1050	2	157 317	HUA-100	3	176 881	HUA-100-R3
125	1902	2	174 375	HNC-125	4	176 943	CRHNC-125

1) Corrosion resistance class 2 according to Festo standard 940 070
Components requiring moderate corrosion resistance. Externally visible parts with primarily decorative surface requirements which are in direct contact with a surrounding industrial atmosphere or media such as cooling or lubricating agents.
Corrosion resistance class 3 according to Festo standard 940 070
Components requiring higher corrosion resistance. External visible parts in direct contact with industrial atmospheres or media such as solvents and cleaning agents, with a predominantly functional requirement for the surface.
Corrosion resistance class 4 according to Festo standard 940 070
Components requiring higher corrosion resistance. Parts used with aggressive media, e.g. food or chemical industry. These applications should be supported with special tests with the media if required

Compact cylinders ADVU/AEVU

Accessories

FESTO

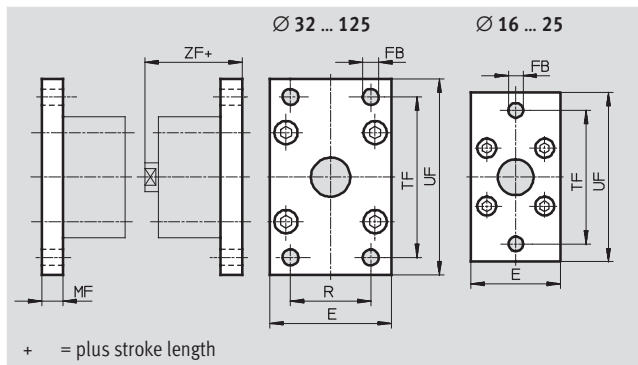
Flange mounting FUA
for piston \varnothing 12 ... 100 mm

Flange mounting FNC
for piston \varnothing 125 mm
(not illustrated)

Material:

FUA: Clear anodised aluminium

FNC: Galvanised steel



Dimensions and ordering data												
For \varnothing	E	FB \varnothing	MF	R	TF	UF	ZF		CRC ²⁾	Weight [g]	Part No.	Type
							Basic version	S1				
12/16	29	5.5	10	–	43	55	52.5	–	2	48	157 299	FUA-12/16
20	36	6.6	10	–	55	70	52.5	–	2	72	157 300	FUA-20
25	40	6.6	10	–	60	76	55	67	2	87	157 301	FUA-25
32	50	7	10	32	65	80	60.5	–	2	117	157 302	FUA-32
40	60	9	10	36	82	102	62	79	2	180	157 303	FUA-40
50	68	9	12	45	90	110	65	–	2	266	157 304	FUA-50
63	87	9	15	50	110	130	72.5	91.5	2	550	157 305	FUA-63
80	107	12	15	63	135	160	76	–	2	745	157 306	FUA-80
100	128	14	15	75	163	190	91.5	119.5	2	1035	157 307	FUA-100
125	132	16	20	90	180	210	119	–	2	3750	174 382	FNC-125¹⁾

1) Free of copper, PTFE and silicone

2) Corrosion resistance class 2 according to Festo standard 940 070

Components requiring moderate corrosion resistance. Externally visible parts with primarily decorative surface requirements which are in direct contact with a surrounding industrial atmosphere or media such as cooling or lubricating agents

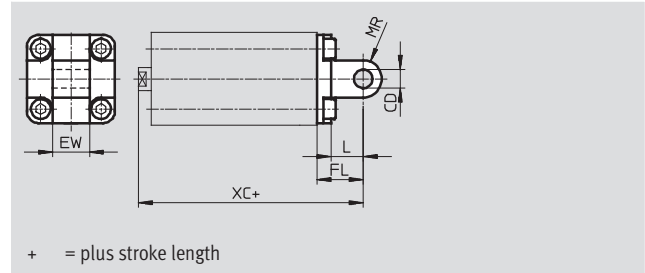
Compact cylinders ADVU/AEVU

Accessories

FESTO

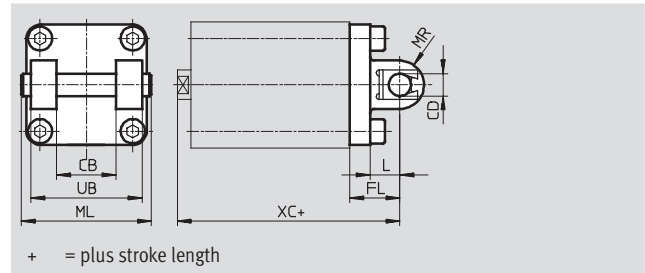
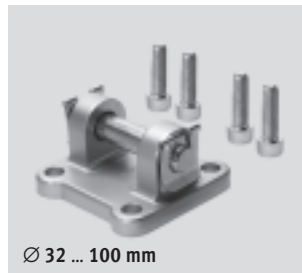
Swivel flange SUA for piston \varnothing 12 ... 25 mm

Material:
SUA: Anodised aluminium
SUA- ... -R3: Aluminium, silver protective coating, high corrosion protection
Free of copper, PTFE and silicone




for piston \varnothing 32 ... 100 mm

Material:
SUA: Anodised aluminium
SUA- ... -R3: Aluminium, silver protective coating, high corrosion protection
Free of copper, PTFE and silicone



Dimensions and ordering data										
For \varnothing	CB	CD \varnothing	EW	FL	L	ML	MR	UB	XC	
									Basic version	S1
12/16	-	6	12	16	10	-	6	-	58.5	-
20	-	8	16	20	14	-	8	-	62.5	-
25	-	8	16	20	14	-	8	-	65	77
32	26	10	-	22	13	54	10	45	72.5	-
40	28	12	-	25	16	62	12	52	77	94
50	32	12	-	27	16	70	12	60	80	-
63	40	16	-	32	21	82	16	70	89.5	111.5
80	50	16	-	36	23	102	16	90	100	-
100	60	20	-	41	26	126	20	110	117.5	145.5

For \varnothing	Weight [g]	Basic version		High corrosion protection	
		Part No.	Type	Part No.	Type
12/16	43	157 319	SUA-12/16	176 883	SUA-12/16-R3
20	78	157 320	SUA-20	176 884	SUA-20-R3
25	86	157 321	SUA-25	176 885	SUA-25-R3
32	208	157 322	SUA-32	176 886	SUA-32-R3
40	320	157 323	SUA-40	176 887	SUA-40-R3
50	437	157 324	SUA-50	176 888	SUA-50-R3
63	760	157 325	SUA-63	176 889	SUA-63-R3
80	1190	157 326	SUA-80	176 890	SUA-80-R3
100	1900	157 327	SUA-100	176 891	SUA-100-R3

-  - Note
The maximum stroke length may not be exceeded when combining cylinders and swivel flanges.

For \varnothing	Max. stroke length [mm]
12	50
16	50
20	50
25	50
32	100

For \varnothing	Max. stroke length [mm]
40	100
50	100
63	100
80	150
100	150

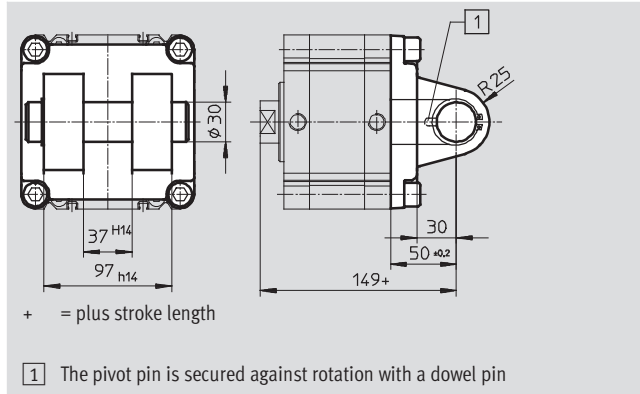
Compact cylinders ADVU/AEVU

Accessories



Swivel flange SNC-125 for piston \varnothing 125 mm

Material:
Die-cast aluminium

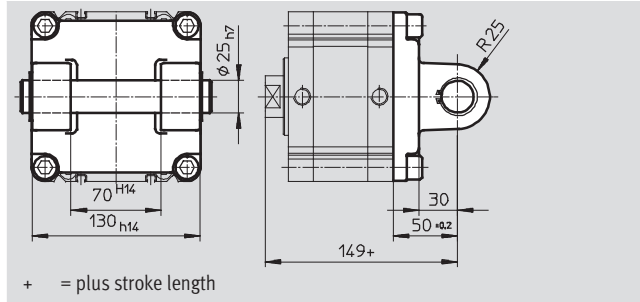


Ordering data					
For \varnothing	CRC ¹⁾	Weight [g]	Basic version		
			Part No.	Type	
125	2	1785	174 389	SNC-125	

1) Corrosion resistance class 2 according to Festo standard 940 070
Components requiring moderate corrosion resistance. Externally visible parts with primarily decorative surface requirements which are in direct contact with a surrounding industrial atmosphere or media such as cooling or lubricating agents

Swivel flange SNCB-125 for piston \varnothing 125 mm

Material:
SNCB-125: Die-cast aluminium
SNCB-125-R3: Die-cast aluminium, protective coating, high corrosion protection
Free of copper, PTFE and silicone



Ordering data							
For \varnothing	Weight [g]	Basic version			R3 – High corrosion protection		
		Part No.	Type		CRC ¹⁾	Part No.	Type
125	1785	174 396	SNCB-125		3	176 950	SNCB-125-R3

1) Corrosion resistance class 3 according to Festo standard 940 070
Components requiring higher corrosion resistance. External visible parts in direct contact with industrial atmospheres or media such as solvents and cleaning agents, with a predominantly functional requirement for the surface

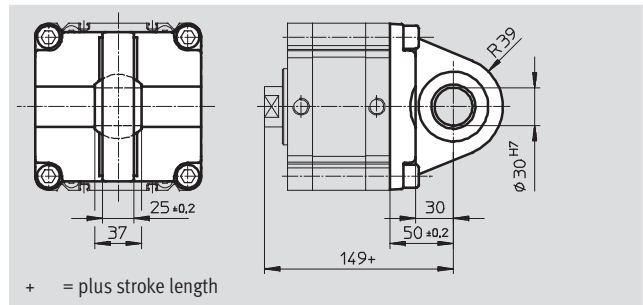
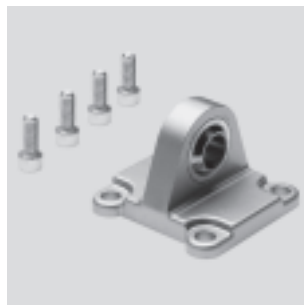
Compact cylinders ADVU/AEVU

Accessories



Swivel flange SNCS-125 for piston \varnothing 125 mm

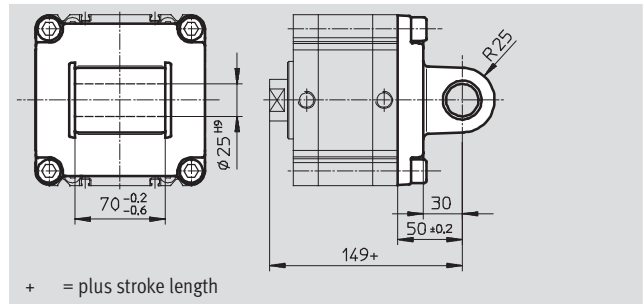
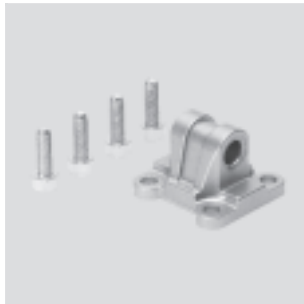
Material:
Die-cast aluminium



Ordering data			
For \varnothing	Weight [g]	Basic version	
		Part No.	Type
125	1410	174 403	SNCS-125

Swivel flange SNCL-125 for piston \varnothing 125 mm

Material:
Die-cast aluminium



Ordering data			
For \varnothing	Weight [g]	Basic version	
		Part No.	Type
125	1245	174 410	SNCL-125

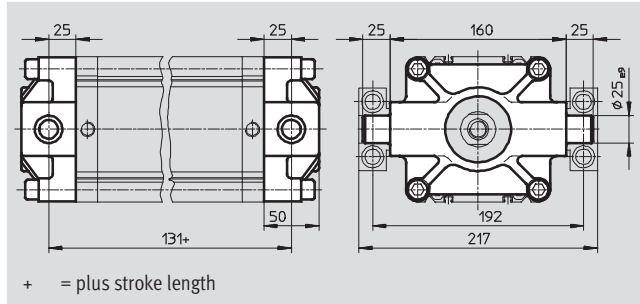
Compact cylinders ADVU/AEVU

Accessories

FESTO

Trunnion flange ZNCF-125 for piston Ø 125 mm


Material:
High-alloy stainless steel
Free of copper, PTFE and silicone

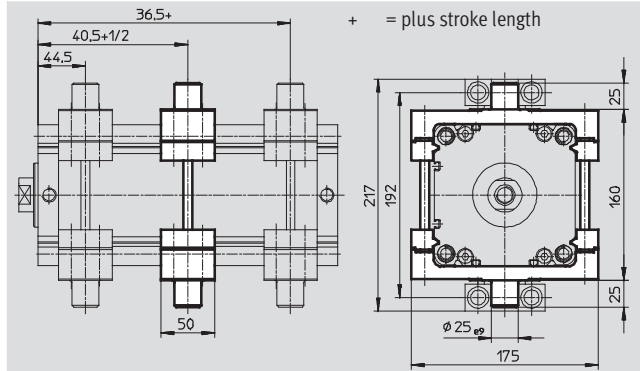


Ordering data			
For Ø	Weight [g]	Basic version	
		Part No.	Type
125	3484	174 417	ZNCF-125

Trunnion mounting kit ZNCM-125 for piston Ø 125 mm

Material:
Tempered steel

-  - Note
The trunnion mounting kit can be attached to the cylinder profile barrel at any position.



Ordering data				
For Ø	CRC ¹⁾	Weight [g]	Basic version	
			Part No.	Type
125	2	2940	163 531	ZNCM-125

1) Corrosion resistance class 2 according to Festo standard 940 070
Components requiring moderate corrosion resistance. Externally visible parts with primarily decorative surface requirements which are in direct contact with a surrounding industrial atmosphere or media such as cooling or lubricating agents

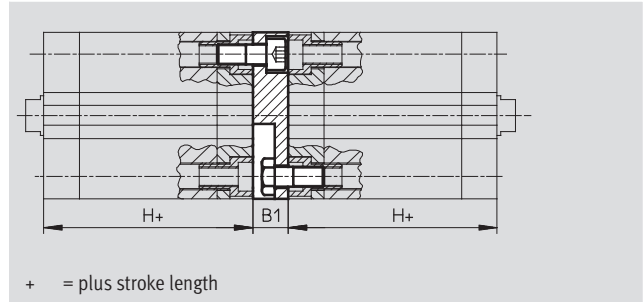
Compact cylinders ADVU/AEVU

Accessories

FESTO

Adapter kit DPVU for piston \varnothing 12 ... 100 mm

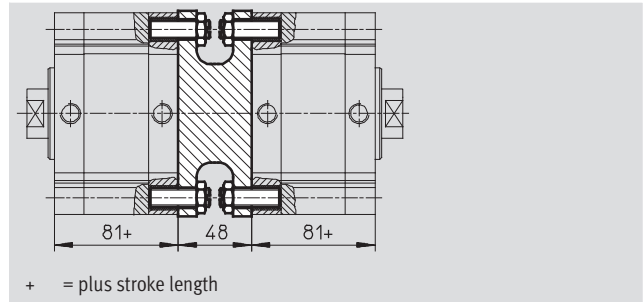
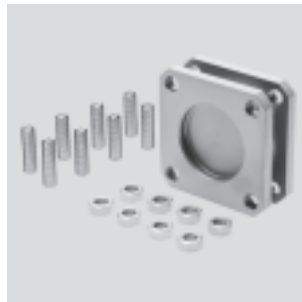
Material:
Aluminium
Free of copper, PTFE and silicone



+ = plus stroke length

Adapter kit DPNC for piston \varnothing 125 mm

Material:
Flange: Wrought aluminium alloy
Threaded pins, hex nuts: Galvanised steel



+ = plus stroke length

- Note
The maximum overall stroke length may not be exceeded when combining cylinders and adapter kits.

Dimensions and ordering data							
For \varnothing	B1	H	Max. overall stroke length [mm]	CRC ¹⁾	Weight [g]	Part No.	Type
12/16	12.5	38	400	2	22	161 194	DPVU-12/16
20	12.5	38	400	2	36	161 195	DPVU-20
25	13	39.5	400	2	44	161 196	DPVU-25
32	14.5	44.5	600	2	90	161 197	DPVU-32
40	14.5	45.5	600	2	137	161 198	DPVU-40
50	14.5	45.5	600	2	177	161 199	DPVU-50
63	14.5	50	600	2	308	161 200	DPVU-63
80	16.5	56	800	2	495	161 201	DPVU-80
100	19.5	66.5	800	2	859	161 202	DPVU-100
125	48	81	1000		1600	174 424	DPNC-125

1) Corrosion resistance class 2 according to Festo standard 940 070
Components requiring moderate corrosion resistance. Externally visible parts with primarily decorative surface requirements which are in direct contact with a surrounding industrial atmosphere or media such as cooling or lubricating agents

Connecting two cylinders with identical piston \varnothing as a 3 or 4-position cylinder

A 3 or 4-position cylinder consists of two separate cylinders whose piston rods advance in opposing directions.

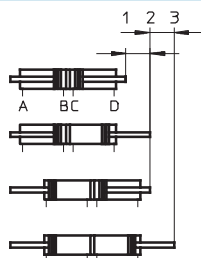
Depending upon actuation and stroke pattern, this type of cylinder can assume up to four positions. In each

case the cylinder is driven precisely against a stop. If one end of the piston rod is fixed, the cylinder barrel

executes the movement. The cylinder must be connected with flexible line connections.

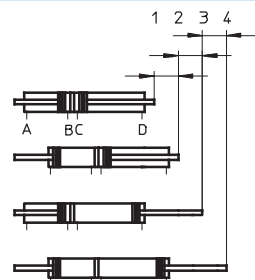
Implementing 3 positions

Two cylinders with identical stroke length must be connected to this end.



Implementing 4 positions

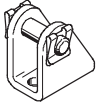
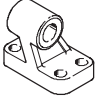
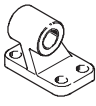
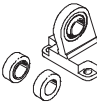
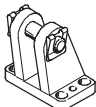
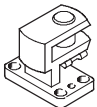
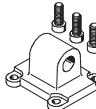

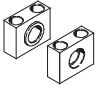
Two cylinders with different stroke lengths must be connected to this end.


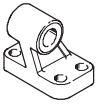
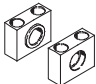


Compact cylinders ADVU/AEVU

Accessories

FESTO


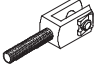
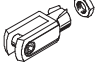
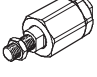
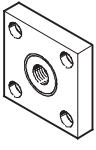
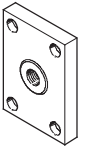
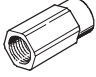
Ordering data – Mounting attachments				Technical data → Internet: clevis foot			
Designation	For Ø	Part No.	Type	Designation	For Ø	Part No.	Type
Clevis foot LBN				Clevis foot LNG			
	12	6 058	LBN-12/16		32	33 890	LNG-32
	16	6 058	LBN-12/16		40	33 891	LNG-40
	20	6 059	LBN-20/25		50	33 892	LNG-50
	25	6 059	LBN-20/25		63	33 893	LNG-63
					80	33 894	LNG-80
					100	33 895	LNG-100
Clevis foot LN				Clevis foot LSN			
	32	5 147	LN-32		32	5 561	LSN-32
	40	5 148	LN-40		40	5 562	LSN-40
	50	5 149	LN-50		50	5 563	LSN-50
	63	5 150	LN-63		63	5 564	LSN-63
	80	5 151	LN-80		80	5 565	LSN-80
	100	5 152	LN-100		100	5 566	LSN-100
	125	9 036	LN-125		125	6 987	LSN-125
Clevis foot LBG				Clevis foot, lateral LQG			
	20, 25, 32, 40	31 761	LBG-32		20, 25, 32, 40	31 768	LQG-32
	50, 63	31 762	LBG-40		50, 63	31 769	LQG-40
	80	31 763	LBG-50		80	31 770	LQG-50
		31 764	LBG-63			31 771	LQG-63
	100	31 765	LBG-80		100	31 772	LQG-80
	125	31 766	LBG-100		125	31 773	LQG-100
	31 767	LBG-125		31 774	LQG-125		
Swivel flange SNCL				Clevis foot LSNSG			
	32	174 404	SNCL-32		125	31 753	LSNSG-125
	40	174 405	SNCL-40				
	50	174 406	SNCL-50				
	63	174 407	SNCL-63				
	80	174 408	SNCL-80				
	100	174 409	SNCL-100				
125	174 410	SNCL-125					
				Trunnion support LNZG			
					125	32 962	LNZG-100/125

Ordering data – Corrosion and acid resistant mounting attachments				Technical data → Internet: clevis foot			
Designation	For Ø	Part No.	Type	Designation	For Ø	Part No.	Type
Clevis foot CRLBN				Clevis foot CRLNG			
	12	161 862	CRLBN-12/16		32	161 840	CRLNG-32
	16	161 862	CRLBN-12/16		40	161 841	CRLNG-40
	20	161 863	CRLBN-20/25		50	161 842	CRLNG-50
	25	161 863	CRLBN-20/25		63	161 843	CRLNG-63
					80	161 844	CRLNG-80
					100	161 845	CRLNG-100
Trunnion support CRLNZG							
	125	161 877	CRLNZG-100/125				

Compact cylinders ADVU/AEVU

Accessories


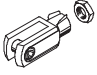
FESTO



Ordering data – Piston rod attachments				Technical data → Internet: piston-rod attachment			
Designation	For Ø	Part No.	Type	Designation	For Ø	Part No.	Type
Rod eye SGS				Rod clevis SGA			
	12	9 254	SGS-M6		12	–	–
	16	9 255	SGS-M8		16	–	–
	20	9 261	SGS-M10x1,25		20	32 954	SGA-M10x1,25
	25						
	32						
	40						
	50	9 262	SGS-M12x1,25		50	10 767	SGA-M12x1,25
	63	9 263	SGS-M16x1,5		63	10 768	SGA-M16x1,5
	80						
	100						
	100	9 264	SGS-M20x1,5		100	10 769	SGA-M20x1,5
125	10 774	SGS-M27x2	125	10 770	SGA-M27x2		
Rod clevis SG				Self-aligning rod coupler FK			
	12	3 110	SG-M6		12	2 061	FK-M6
	16	3 111	SG-M8		16	2 062	FK-M8
	20	6 144	SG-M10x1,25		20	6 140	FK-M10x1,25
	25						
	32						
	40						
	50	6 145	SG-M12x1,25		50	6 141	FK-M12x1,25
	63	6 146	SG-M16x1,5		63	6 142	FK-M16x1,5
	80						
	100						
	100	6 147	SG-M20x1,5		100	6 143	FK-M20x1,5
125	14 987	SG-M27x2-B	125	10 485	FK-M27x2		
Coupling piece KSG				Coupling piece KSZ			
	12	–	–		12	36 123	KSZ-M6
	16	32 963	KSG-M10x1,25		16	36 124	KSZ-M8
	20				36 125	KSZ-M10x1,25	
	25						
	32						
	40						
	50	32 964	KSG-M12x1,25		50	36 126	KSZ-M12x1,25
	63	32 965	KSG-M16x1,5		63	36 127	KSZ-M16x1,5
	80						
	100						
	100	32 966	KSG-M20x1,5		100	36 128	KSZ-M20x1,5
125	32 967	KSG-M27x2	125	–	–		
Adapter AD							
	12	157 328	AD-M6-M5				
		157 329	AD-M6-1/8				
		157 330	AD-M6-1/4				
	16	157 331	AD-M8-1/8				
		157 332	AD-M8-1/4				
	20	157 333	AD-M10x1,25-1/8				
	25	157 334	AD-M10x1,25-1/4				
	32						
	40						
	50	160 256	AD-M12x1,25-1/4				
	63	160 257	AD-M12x1,25-3/8				

Compact cylinders ADVU/AEVU

Accessories

FESTO

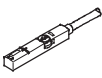
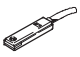
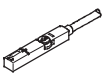
Ordering data – Corrosion and acid resistant piston rod attachments				Technical data → Internet: crsg			
Designation	For Ø	Part No.	Type	Designation	For Ø	Part No.	Type
Rod eye CRSGS				Rod clevis CRSG			
	12	195 580	CRSGS-M6		12	13 567	CRSG-M6
	16	195 581	CRSGS-M8		16	13 568	CRSG-M8
	20	195 582	CRSGS-M10x1,25		20	13 569	CRSG-M10x1,25
	25						
	32						
	40						
	50	195 583	CRSGS-M12x1,25		50	13 570	CRSG-M12x1,25
	63	195 584	CRSGS-M16x1,5		63	13 571	CRSG-M16x1,5
	80						
	100				13 572		
	125	195 586	CRSGS-M27x2		125	185 361	CRSG-M27x2

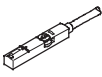
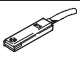
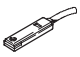
Ordering data – One-way flow control valves				Technical data → Internet: grl	
	Connection		Material	Part No.	Type
	Thread	For tubing OD			
For exhaust air					
	M5	3	Metal design	193 137	GRLA-M5-QS-3-D
		4		193 138	GRLA-M5-QS-4-D
		6		193 139	GRLA-M5-QS-6-D
	G ¹ / ₈	3		193 142	GRLA- ¹ / ₈ -QS-3-D
		4		193 143	GRLA- ¹ / ₈ -QS-4-D
		6		193 144	GRLA- ¹ / ₈ -QS-6-D
		8		193 145	GRLA- ¹ / ₈ -QS-8-D
		10		193 148	GRLA- ¹ / ₄ -QS-10-D
	G ¹ / ₄	6		193 146	GRLA- ¹ / ₄ -QS-6-D
		8		193 147	GRLA- ¹ / ₄ -QS-8-D
		10			
	For supply air				
	M5	3	Metal design	193 153	GRLZ-M5-QS-3-D
		4		193 154	GRLZ-M5-QS-4-D
		6		193 155	GRLZ-M5-QS-6-D
	G ¹ / ₈	3		193 156	GRLZ- ¹ / ₈ -QS-3-D
		4		193 157	GRLZ- ¹ / ₈ -QS-4-D
		6		193 158	GRLZ- ¹ / ₈ -QS-6-D
		8		193 159	GRLZ- ¹ / ₈ -QS-8-D



Compact cylinders ADVU/AEVU

Accessories

FESTO

Ordering data – Proximity sensors for T-slot, magneto-resistive						Technical data → Internet: smt	
	Type of mounting	Switch output	Electrical connection	Cable length [m]	Part No.	Type	
N/O contact							
	Insertable in the slot from above, flush with cylinder profile	PNP	Cable, 3-wire	2.5	543 867	SMT-8M-PS-24V-K-2,5-OE	
			Plug M8x1, 3-pin	0.3	543 866	SMT-8M-PS-24V-K-0,3-M8D	
			Plug M12x1, 3-pin	0.3	543 869	SMT-8M-PS-24V-K-0,3-M12	
	Insertable in the slot lengthwise, flush with the cylinder profile	PNP	Cable, 3-wire	2.5	543 870	SMT-8M-NS-24V-K-2,5-OE	
			Plug M8x1, 3-pin	0.3	543 871	SMT-8M-NS-24V-K-0,3-M8D	
			Plug M8x1, 3-pin	0.3	175 436	SMT-8-PS-K-LED-24-B	
			Plug M8x1, 3-pin	0.3	175 484	SMT-8-PS-S-LED-24-B	
N/C contact							
	Insertable in the slot from above, flush with cylinder profile	PNP	Cable, 3-wire	7.5	543 873	SMT-8M-PO-24V-K7,5-OE	

Ordering data – Proximity sensors for T-slot, magnetic reed						Technical data → Internet: sme	
	Type of mounting	Switch output	Electrical connection	Cable length [m]	Part No.	Type	
N/O contact							
	Insertable in the slot from above, flush with cylinder profile	Contacting	Cable, 3-wire	2.5	543 862	SME-8M-DS-24V-K-2,5-OE	
				5.0	543 863	SME-8M-DS-24V-K-5,0-OE	
			Plug M8x1, 3-pin	2.5	543 872	SME-8M-ZS-24V-K-2,5-OE	
				0.3	543 861	SME-8M-DS-24V-K-0,3-M8D	
	Insertable in the slot lengthwise, flush with the cylinder profile	Contacting	Cable, 3-wire	2.5	150 855	SME-8-K-LED-24	
			Plug M8x1, 3-pin	0.3	150 857	SME-8-S-LED-24	
N/C contact							
	Insertable in the slot lengthwise, flush with the cylinder profile	Contacting	Cable, 3-wire	7.5	160 251	SME-8-0-K-LED-24	

Ordering data – Connecting cables					Technical data → Internet: nebu	
	Electrical connection, left	Electrical connection, right	Cable length [m]	Part No.	Type	
	Straight socket, M8x1, 3-pin	Cable, open end, 3-wire	2.5	541 333	NEBU-M8G3-K-2.5-LE3	
			5	541 334	NEBU-M8G3-K-5-LE3	
	Straight socket, M12x1, 5-pin	Cable, open end, 3-wire	2.5	541 363	NEBU-M12G5-K-2.5-LE3	
			5	541 364	NEBU-M12G5-K-5-LE3	
	Angled socket, M8x1, 3-pin	Cable, open end, 3-wire	2.5	541 338	NEBU-M8W3-K-2.5-LE3	
			5	541 341	NEBU-M8W3-K-5-LE3	
	Angled socket, M12x1, 5-pin	Cable, open end, 3-wire	2.5	541 367	NEBU-M12W5-K-2.5-LE3	
			5	541 370	NEBU-M12W5-K-5-LE3	

Ordering data – Slot cover for T-slot			
	Assembly	Length	Part No. Type
	Insertable from above	2x 0.5 m	151 680 ABP-5-S