

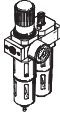
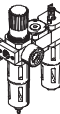
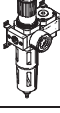
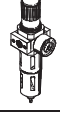
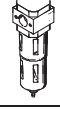



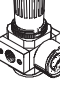
On-off/soft-start valves HE/HEE/HEP/HEL, D series



On-off/soft-start valves HE/HEE/HEP/HEL, D series, metal design



Product range overview D series service units, metal design

Type	Size	Pneumatic connection										Pressure regulation range [bar]			Grade of filtration [µm]			
		M5	M7	G1/8	G1/4	G3/8	G1/2	G3/4	G1	QS4	QS6	0.5 ...	0.5 ...	2.5 ...	0.01	1	5	40
Service units																		
FRC/FRCS 	Micro	■	■	■	-	-	-	-	-	■	■	■	-	-	-	-	■	-
	Mini	-	-	■	■	■	-	-	-	-	-	■	■	-	-	-	■	■
	Midi	-	-	-	■	■	■	■	-	-	-	■	■	-	-	-	■	■
	Maxi	-	-	-	-	-	■	■	■	-	-	■	■	-	-	-	■	■
Service unit combinations																		
FRC-K 	Micro	-	-	-	-	-	-	-	-	-	-	-	-	-	-	-	-	
	Mini	-	-	■	■	-	-	-	-	-	-	■	■	-	-	-	-	■
	Midi	-	-	-	■	■	■	-	-	-	-	■	■	-	-	-	-	■
	Maxi	-	-	-	-	-	■	■	-	-	-	■	■	-	-	-	-	■
LFR-K LFRS-K 	Micro	-	-	-	-	-	-	-	-	-	-	-	-	-	-	-	-	
	Mini	-	-	■	■	-	-	-	-	-	-	■	■	-	-	-	-	■
	Midi	-	-	-	■	■	■	-	-	-	-	■	■	-	-	-	-	■
	Maxi	-	-	-	-	-	■	■	-	-	-	■	■	-	-	-	-	■
Individual devices																		
Filter regulators LFR/LFRS 	Micro	■	■	■	-	-	-	-	-	■	■	■	-	-	-	-	■	-
	Mini	-	-	■	■	■	-	-	-	-	-	■	■	-	-	-	■	■
	Midi	-	-	-	■	■	■	■	-	-	-	■	■	-	-	-	■	■
	Maxi	-	-	-	-	-	■	■	■	-	-	■	■	-	-	-	■	■
Filters LF 	Micro	■	■	■	-	-	-	-	-	■	■	-	-	-	-	-	■	-
	Mini	-	-	■	■	■	-	-	-	-	-	-	-	-	-	-	■	■
	Midi	-	-	-	■	■	■	■	-	-	-	-	-	-	-	-	■	■
	Maxi	-	-	-	-	-	■	■	■	-	-	-	-	-	-	-	■	■
Fine and micro filters LFMA/LFMB 	Micro	-	-	-	-	-	-	-	-	-	-	-	-	-	-	-	-	-
	Mini	-	-	■	■	■	-	-	-	-	-	-	-	-	■	■	-	-
	Midi	-	-	-	■	■	■	■	-	-	-	-	-	-	■	■	-	-
	Maxi	-	-	-	-	-	■	■	■	-	-	-	-	-	■	■	-	-
Active carbon filters LFX 	Micro	-	-	-	-	-	-	-	-	-	-	-	-	-	-	-	-	-
	Mini	-	-	■	■	■	-	-	-	-	-	-	-	-	-	-	-	-
	Midi	-	-	-	■	■	■	■	-	-	-	-	-	-	-	-	-	-
	Maxi	-	-	-	-	-	■	■	■	-	-	-	-	-	-	-	-	-
Filter combinations LFMBA 	Micro	-	-	-	-	-	-	-	-	-	-	-	-	-	-	-	-	-
	Mini	-	-	■	■	■	-	-	-	-	-	-	-	-	■	■	-	-
	Midi	-	-	-	■	■	■	■	-	-	-	-	-	-	■	■	-	-
	Maxi	-	-	-	-	-	■	■	■	-	-	-	-	-	■	■	-	-
Pressure regulators LR/LRS 	Micro	■	■	■	-	-	-	-	-	■	■	■	-	-	-	-	-	-
	Mini	-	-	■	■	■	-	-	-	-	-	■	■	-	-	-	-	-
	Midi	-	-	-	■	■	■	■	-	-	-	■	■	-	-	-	-	-
	Maxi	-	-	-	-	-	■	■	■	-	-	■	■	-	-	-	-	-

On-off/soft-start valves HE/HEE/HEP/HEL, D series, metal design

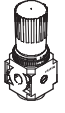
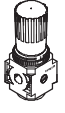
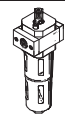
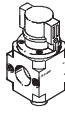

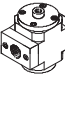
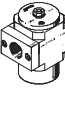
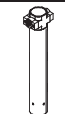
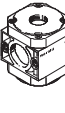

Product range overview D series service units, metal design

Type	Size	Bowl guard		Condensate drain			Pressure indication		Actuator lock		Supply voltage			Options			→ Page/ Internet
		Metal bowl guard	Plastic bowl	Manual rotary	Semi-automatic	Fully automatic	With pressure gauge	Without pressure gauge	Rotary knob with detent	Rotary knob with integrated lock	24 V DC	110 V AC	230 V AC	Directly actuated pressure regulator with integrated return flow function	Pilot actuated pressure regulator with integrated return flow function	Differential pressure indicator	
Service units																	
FRC/FRCS	Micro	-	■	■	■	-	■	■	■	-	-	-	-	-	-	-	frc
	Mini	■	-	■	-	■	■	■	■	■	-	-	-	-	-	-	
	Midi	■	-	■	-	■	■	■	■	■	-	-	-	-	-	-	
	Maxi	■	-	■	-	■	■	■	■	■	-	-	-	■	■	-	
Service unit combinations																	
FRC-K	Micro	-	-	-	-	-	-	-	-	-	-	-	-	-	-	-	frc
	Mini	■	-	■	-	■	■	-	■	-	-	-	-	-	-	-	
	Midi	■	-	■	-	■	■	-	■	-	-	-	-	-	-	-	
	Maxi	■	-	■	-	■	■	-	■	-	-	-	-	■	■	-	
LFR-K LFRS-K	Micro	-	-	-	-	-	-	-	-	-	-	-	-	-	-	-	lfr
	Mini	■	-	■	-	■	■	-	■	■	■	-	-	-	-	-	
	Midi	■	-	■	-	■	■	-	■	■	■	-	-	-	-	-	
	Maxi	■	-	■	-	■	■	-	■	■	■	-	-	-	■	■	-
Individual devices																	
Filter regulators LFR/LFRS	Micro	-	■	■	■	-	■	■	■	-	-	-	-	-	-	-	lfr
	Mini	■	-	■	-	■	■	■	■	■	-	-	-	-	-	-	
	Midi	■	-	■	-	■	■	■	■	■	-	-	-	-	-	-	
	Maxi	■	-	■	-	■	■	■	■	■	-	-	-	■	■	-	
Filters LF	Micro	-	■	■	■	-	-	-	-	-	-	-	-	-	-	-	lf
	Mini	■	-	■	-	■	-	-	-	-	-	-	-	-	-	-	
	Midi	■	-	■	-	■	-	-	-	-	-	-	-	-	-	-	
	Maxi	■	-	■	-	■	-	-	-	-	-	-	-	-	-	-	
Fine and micro filters LFMA/LFMB	Micro	-	-	-	-	-	-	-	-	-	-	-	-	-	-	-	lfma, lfmb
	Mini	■	-	■	-	■	-	-	-	-	-	-	-	-	-	■	
	Midi	■	-	■	-	■	-	-	-	-	-	-	-	-	-	■	
	Maxi	■	-	■	-	■	-	-	-	-	-	-	-	-	-	■	
Active carbon filters LFX	Micro	-	-	-	-	-	-	-	-	-	-	-	-	-	-	-	lfx
	Mini	■	-	-	-	-	-	-	-	-	-	-	-	-	-	-	
	Midi	■	-	-	-	-	-	-	-	-	-	-	-	-	-	-	
	Maxi	■	-	-	-	-	-	-	-	-	-	-	-	-	-	-	
Filter combinations LFMBA	Micro	-	-	-	-	-	-	-	-	-	-	-	-	-	-	-	lfmba
	Mini	■	-	■	-	■	-	-	-	-	-	-	-	-	-	■	
	Midi	■	-	■	-	■	-	-	-	-	-	-	-	-	-	■	
	Maxi	■	-	■	-	■	-	-	-	-	-	-	-	-	-	■	
Pressure regulators LR/LRS	Micro	-	-	-	-	-	■	■	■	-	-	-	-	-	-	-	lr
	Mini	-	-	-	-	-	■	■	■	■	-	-	-	■	-	-	
	Midi	-	-	-	-	-	■	■	■	■	-	-	-	■	-	-	
	Maxi	-	-	-	-	-	■	■	■	■	-	-	-	■	■	-	

On-off/soft-start valves HE/HEE/HEP/HEL, D series, metal design

FESTO

Product range overview D series service units, metal design

Type	Size	Pneumatic connection										Pressure regulation range [bar]		
		M5	M7	G1/8	G1/4	G3/8	G1/2	G3/4	G1	QS4	QS6	0.5 ... 7	0.5 ... 12	
Individual devices														
Pressure regulators LRB/LRBS		Micro	-											
		Mini	-	-	-	■	-	-	-	-	-	-	■	■
		Midi	-	-	-	-	■	-	-	-	-	-	■	■
		Maxi	-											
Pressure regulator combinations LRB-K		Micro	-											
		Mini	-	-	-	■	■	-	-	-	-	-	■	■
		Midi	-	-	-	-	■	■	-	-	-	-	■	■
		Maxi	-											
Lubricators LOE		Micro	■	■	■	-	-	-	-	-	■	■	-	-
		Mini	-	-	■	■	■	-	-	-	-	-	-	-
		Midi	-	-	-	■	■	■	■	-	-	-	-	-
		Maxi	-	-	-	-	-	■	■	■	-	-	-	-
On-off valves HE		Micro	-											
		Mini	-	-	■	■	■	-	-	-	-	-	-	-
		Midi	-	-	-	■	■	■	■	-	-	-	-	-
		Maxi	-	-	-	-	-	■	■	■	-	-	-	-
On-off valves, electrical HEE		Micro	-											
		Mini	-	-	■	■	■	-	-	-	-	-	-	-
		Midi	-	-	-	■	■	■	■	-	-	-	-	-
		Maxi	-	-	-	-	-	■	■	■	-	-	-	-
On-off valves, pneumatic HEP		Micro	-											
		Mini	-	-	■	■	■	-	-	-	-	-	-	-
		Midi	-	-	-	■	■	■	■	-	-	-	-	-
		Maxi	-	-	-	-	-	■	■	■	-	-	-	-
Soft-start valves HEL		Micro	-											
		Mini	-	-	■	■	■	-	-	-	-	-	-	-
		Midi	-	-	-	■	■	■	■	-	-	-	-	-
		Maxi	-	-	-	-	-	■	■	■	-	-	-	-
Membrane air dryers LDM1		Micro	-											
		Mini	-											
		Midi	-											
		Maxi	-	-	-	-	-	■	■	■	-	-	-	-
Branching modules FRM		Micro	-											
		Mini	-	-	■	■	■	-	-	-	-	-	-	-
		Midi	-	-	-	■	■	■	■	-	-	-	-	-
		Maxi	-	-	-	-	-	■	■	■	-	-	-	-
Distributor block FRZ		Micro	-											
		Mini	-											
		Midi	-											
		Maxi	-											

On-off/soft-start valves HE/HEE/HEP/HEL, D series, metal design

Product range overview D series service units, metal design

Type	Size	Bowl guard		Pressure indication		Actuator lock		Supply voltage			Options		→ Page/ Internet
		Metal bowl guard	Plastic bowl	With pressure gauge	Without pressure gauge	Rotary knob with detent	Rotary knob with integrated lock	24 V DC	110 V AC	230 V AC	Non-return function	Pressure switch	
Individual devices													
Pressure regulators LRB/LRBS	Micro	-	-	-	■	■	■	-	-	-	-	-	lrb
	Mini	-	-	-	■	■	■	-	-	-	-	-	
	Midi	-	-	-	■	■	■	-	-	-	-	-	
	Maxi	-	-	-	■	■	■	-	-	-	-	-	
Pressure regulator combinations LRB-K	Micro	-	-	-	■	■	-	-	-	-	-	-	lrb
	Mini	-	-	-	■	■	-	-	-	-	-	-	
	Midi	-	-	-	■	■	-	-	-	-	-	-	
	Maxi	-	-	-	■	■	-	-	-	-	-	-	
Lubricators LOE	Micro	-	■	-	■	-	-	-	-	-	-	-	loe
	Mini	■	-	-	■	-	-	-	-	-	-	-	
	Midi	■	-	-	■	-	-	-	-	-	-	-	
	Maxi	■	-	-	■	-	-	-	-	-	-	-	
On-off valves HE	Micro	-	-	-	■	■	-	-	-	-	-	-	6
	Mini	-	-	-	■	■	-	-	-	-	-	-	
	Midi	-	-	-	■	■	-	-	-	-	-	-	
	Maxi	-	-	-	■	■	-	-	-	-	-	-	
On-off valves, electrical HEE	Micro	-	-	-	■	-	-	■	■	■	-	-	11
	Mini	-	-	-	■	-	-	■	■	■	-	-	
	Midi	-	-	-	■	-	-	■	■	■	-	-	
	Maxi	-	-	-	■	-	-	■	■	■	-	-	
On-off valves, pneumatic HEP	Micro	-	-	-	■	-	-	-	-	-	-	-	17
	Mini	-	-	-	■	-	-	-	-	-	-	-	
	Midi	-	-	-	■	-	-	-	-	-	-	-	
	Maxi	-	-	-	■	-	-	-	-	-	-	-	
Soft-start valves HEL	Micro	-	-	-	■	-	-	-	-	-	-	-	22
	Mini	-	-	-	■	-	-	-	-	-	-	-	
	Midi	-	-	-	■	-	-	-	-	-	-	-	
	Maxi	-	-	-	■	-	-	-	-	-	-	-	
Membrane air dryers LDM1	Micro	-	-	-	■	-	-	-	-	-	-	-	ldm1
	Mini	-	-	-	■	-	-	-	-	-	-	-	
	Midi	-	-	-	■	-	-	-	-	-	-	-	
	Maxi	■	-	-	■	-	-	-	-	-	-	-	
Branching modules FRM	Micro	-	-	-	■	-	-	-	-	-	■	■	frm
	Mini	-	-	-	■	-	-	-	-	-	■	■	
	Midi	-	-	-	■	-	-	-	-	-	■	■	
	Maxi	-	-	-	■	-	-	-	-	-	■	■	
Distributor block FRZ	Micro	-	-	-	■	-	-	-	-	-	-	-	frz
	Mini	-	-	-	■	-	-	-	-	-	-	-	
	Midi	-	-	-	■	-	-	-	-	-	-	-	
	Maxi	-	-	-	■	-	-	-	-	-	-	-	

On-off valves HE, D series, metal design

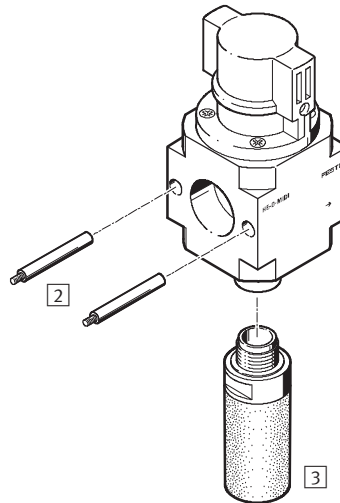
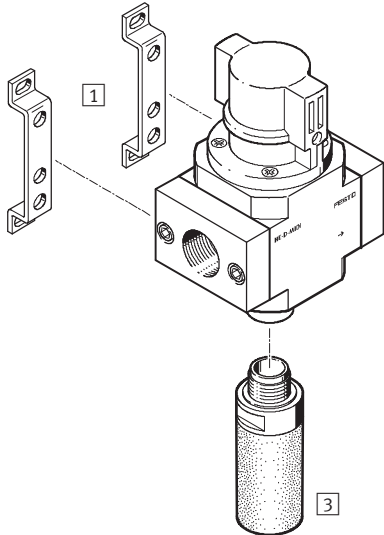
Peripherals overview and Type codes



Mini/Midi/Maxi

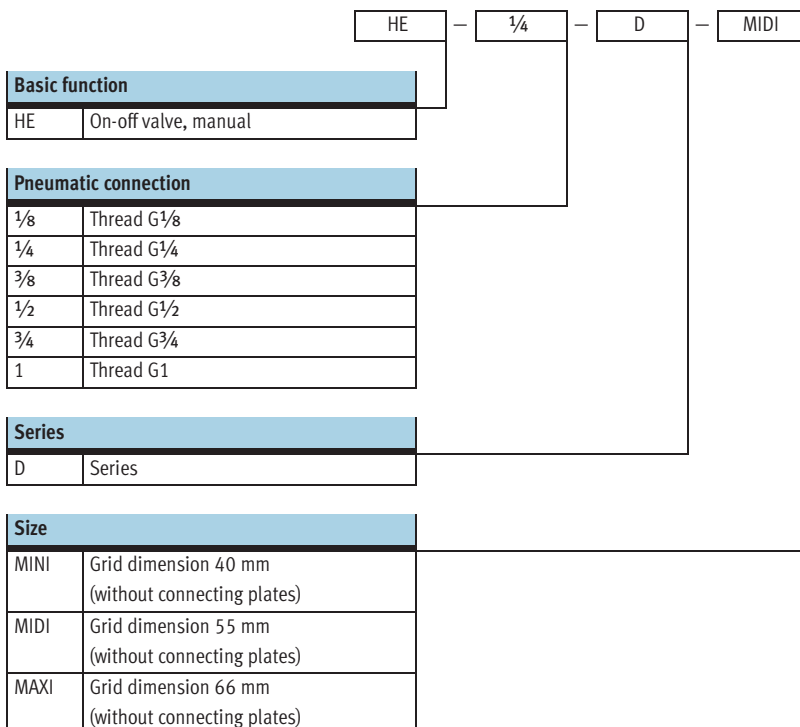
Individual unit with connection plates

Individual unit without connection plates, for service unit combination



Mounting attachments and accessories

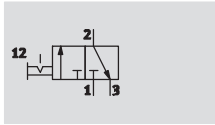
	Individual unit		Combination		→ Page/ Internet
	with connection plates	without connection plates	with connection plates	without connection plates	
1 Mounting bracket HFOE	■	-	■	-	hfoe-d
2 Threaded pin (included in scope of delivery) FRB	-	-	■	■	frb-d
3 Silencer U	■	■	■	■	27



On-off valves HE, D series, metal design

Technical data

Function



- - Flow rate
1000 ... 6500 l/min
- - Temperature range
-10 ... +60 °C
- - Operating pressure
0 ... 16 bar



- 3/2-way manual shut-off valve
- The unit is vented when switched off
- Ducted exhaust possible via a threaded connection
- The switching position is immediately recognisable
- Commercially available padlock can be used for security

General technical data										
Size	Mini			Midi				Maxi		
Pneumatic connection	G $\frac{1}{8}$	G $\frac{1}{4}$	G $\frac{3}{8}$	G $\frac{1}{4}$	G $\frac{3}{8}$	G $\frac{1}{2}$	G $\frac{3}{4}$	G $\frac{1}{2}$	G $\frac{3}{4}$	G1
Operating medium	Filtered compressed air, lubricated or unlubricated, grade of filtration 50 μ m									
Design	Piston spool valve									
Type of mounting	Via accessories									
	In-line installation									
Assembly position	Any									
Operating pressure [bar]	0 ... 16									
Valve function	3/2-way valve, single solenoid									
Exhaust function	Without flow control									
Reset method	Mechanical spring									
C value [l/(s*bar)]	4.4	7.2	7.5	9.9	15.7	17.0	17.3	23.7	26.8	25.9
b value	0.44	0.28	0.27	0.45	0.30	0.30	0.42	0.32	0.35	0.37
Direction of flow	Non-reversible									

- - Note: This product conforms to ISO 1179-1 and to ISO 228-1

Standard nominal flow rate ¹⁾ qnN [l/min]						
Connection	G $\frac{1}{8}$	G $\frac{1}{4}$	G $\frac{3}{8}$	G $\frac{1}{2}$	G $\frac{3}{4}$	G1
Mini						
HE	1000	1500	1600	-	-	-
Midi						
HE	-	2600	3200	3600	3800	-
Maxi						
HE	-	-	-	5600	6000	6500

1) Measured at p₁ = 6 bar and Δ p = 1 bar.

On-off valves HE, D series, metal design

Technical data

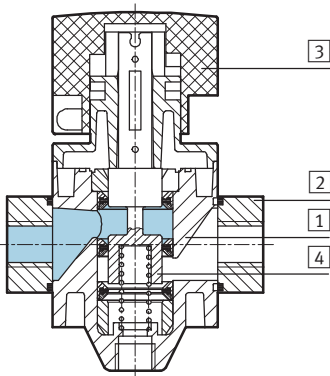
Ambient conditions				
Size		Mini	Midi	Maxi
Ambient temperature	[°C]	-10 ... +60		
Temperature of medium	[°C]	-10 ... +60		
Corrosion resistance class	CRC ¹⁾	2		

1) Corrosion resistance class 2 according to Festo standard 940 070
 Components requiring moderate corrosion resistance. Externally visible parts with primarily decorative surface requirements which are in direct contact with a normal industrial environment or media such as coolants or lubricating agents.

Weight [g]				
Size		Mini	Midi	Maxi
HE		192	511	796

Materials

Sectional view



On-off valve	
1	Housing Die-cast aluminium
2	Connecting plates Wrought aluminium alloy
3	Rotary knob Polyamide
4	Piston Stainless steel
-	Seals Nitrile rubber
Note on materials Free of copper, PTFE and silicone	

On-off valves HE, D series, metal design

Technical data

FESTO

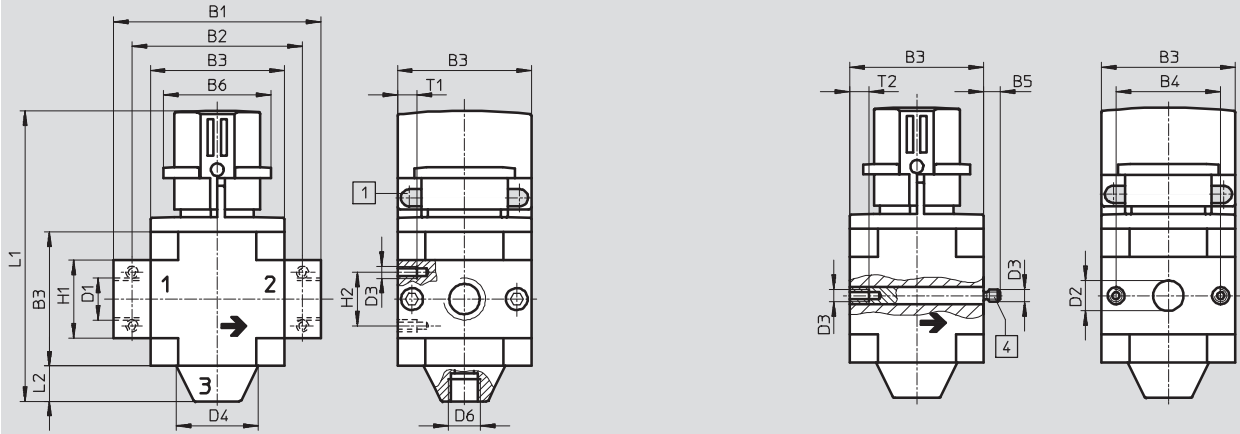
Dimensions

Download CAD data → www.festo.com

Mini/Midi/Maxi

With threaded connecting plates

Without threaded connecting plates



1 Hole for locking with padlock

4 Threaded pin (exchangeable)

→ Flow direction

Type	B1	B2	B3	B4	B5	B6	D1	D2	D3	D4	D6	H1	H2	L1	L2	T1	T2
Mini																	
HE-1/8-D-MINI	64	52	40	30	-	32	G1/8	-	M4	24	G1/8	20	11	100	11	7	-
HE-1/4-D-MINI							G1/4										
HE-3/8-D-MINI	70	-	-	-	5.8	-	-	11	-	-	-	-	-	-	-	-	-
HE-D-MINI																	
Midi																	
HE-1/4-D-MIDI	85	70	55	43	-	44	G1/4	-	M5	34	G1/4	32	22	121	14	8	-
HE-3/8-D-MIDI							G3/8										
HE-1/2-D-MIDI							G1/2										
HE-3/4-D-MIDI							G3/4										
HE-D-MIDI	-	-	-	-	6.8	-	-	24	-	-	-	-	-	-	-	-	11
Maxi																	
HE-1/2-D-MAXI	96	80	66	46	-	44	G1/2	-	M5	38	G3/8	32	22	134	16	8	-
HE-3/4-D-MAXI							G3/4										
HE-1-D-MAXI	116	91	-	-	6.8	-	-	30	-	-	-	40	-	-	-	-	
HE-D-MAXI												G1					

• • Note: This product conforms to ISO 1179-1 and to ISO 228-1

On-off valves HE, D series, metal design

FESTO

Technical data

Ordering data		
3/2-way valve, operating pressure 0 ... 16 bar, normally closed		
Size	Part No.	Type
Without threaded connecting plates		
Mini	170681	HE-D-MINI
Midi	170682	HE-D-MIDI
Maxi	170683	HE-D-MAXI

Ordering data			
3/2-way valve, operating pressure 0 ... 16 bar, normally closed			
Size	Connection	Part No.	Type
With threaded connecting plates			
Mini	G $\frac{1}{8}$	162806	HE- $\frac{1}{8}$ -D-MINI
	G $\frac{1}{4}$	162807	HE- $\frac{1}{4}$ -D-MINI
	G $\frac{3}{8}$	162808	HE- $\frac{3}{8}$ -D-MINI
Midi	G $\frac{1}{4}$	186513	HE- $\frac{1}{4}$ -D-MIDI
	G $\frac{3}{8}$	162809	HE- $\frac{3}{8}$ -D-MIDI
	G $\frac{1}{2}$	162810	HE- $\frac{1}{2}$ -D-MIDI
	G $\frac{3}{4}$	162811	HE- $\frac{3}{4}$ -D-MIDI
Maxi	G $\frac{1}{2}$	186514	HE- $\frac{1}{2}$ -D-MAXI
	G $\frac{3}{4}$	162812	HE- $\frac{3}{4}$ -D-MAXI
	G1	162813	HE-1-D-MAXI

On-off valves HEE, D series, metal design

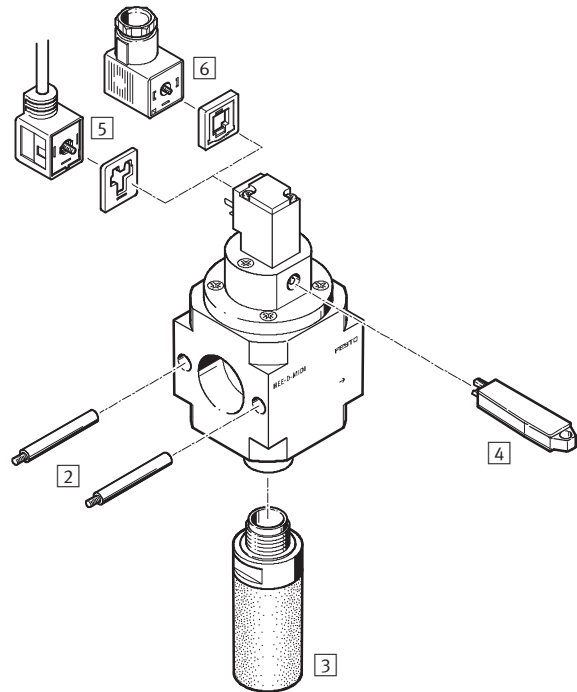
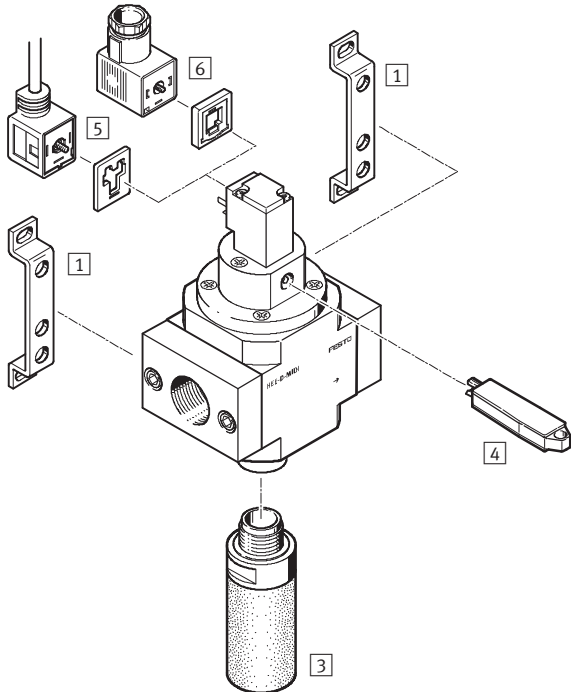
Peripherals overview

FESTO

Mini/Midi/Maxi

Individual unit with connection plates

Individual unit without connection plates, for service unit combination



Mounting attachments and accessories					
	Individual unit		Combination		→ Page/ Internet
	with connection plates	without connection plates	with connection plates	without connection plates	
1 Mounting bracket HFOE	■	-	■	-	hfoe-d
2 Threaded pin (included in scope of delivery) FRB	-	-	■	■	frb-d
3 Silencer U	■	■	■	■	27
4 Manual override tool, non-detenting AHB-MD/MF/MY	■	■	■	■	-
5 Plug socket with cable KMEB-1	■	■	■	■	27
6 Plug socket MSSD-EB	■	■	■	■	27

On-off valves HEE, D series, metal design

Type codes

HEE – 1/4 – D – MIDI – 110

Basic function

HEE	On-off valve, electrical
-----	--------------------------

Pneumatic connection

1/8	Thread G1/8
1/4	Thread G1/4
3/8	Thread G3/8
1/2	Thread G1/2
3/4	Thread G3/4
1	Thread G1

Series

D	Series
---	--------

Size

MINI	Grid dimension 40 mm (without connecting plates)
MIDI	Grid dimension 55 mm (without connecting plates)
MAXI	Grid dimension 66 mm (without connecting plates)

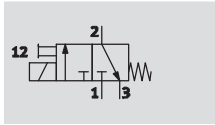
Voltage

24	Supply voltage 24 V DC
110	Supply voltage 110 V AC
230	Supply voltage 230 V AC

On-off valves HEE, D series, metal design

Technical data

Function



- - Flow rate
1000 ... 6500 l/min

- - Temperature range
-10 ... +60 °C

- - Operating pressure
2.5 ... 16 bar

Selected types according to ATEX
directive for explosive atmospheres
→ www.festo.com/en/ex



- Electrical on-off valve for pressurising and venting pneumatic installations
- With solenoid coil without plug socket
- Three voltage ranges can be selected
- Manual override via pushing and detenting (using override tool AHB-MD/MF/MV)
- Solenoid head can be repositioned by 4 x 90°

General technical data										
Size	Mini			Midi				Maxi		
Pneumatic connection	G $\frac{1}{8}$	G $\frac{1}{4}$	G $\frac{3}{8}$	G $\frac{1}{4}$	G $\frac{3}{8}$	G $\frac{1}{2}$	G $\frac{3}{4}$	G $\frac{1}{2}$	G $\frac{3}{4}$	G1
Operating medium	Filtered compressed air, lubricated or unlubricated, grade of filtration 50 µm									
Design	Piston spool valve									
Type of mounting	Via accessories In-line installation									
Assembly position	Any									
Operating pressure [bar]	2.5 ... 16									
Valve function	3/2-way valve, single solenoid									
Exhaust function	Without flow control									
Type of actuation	Mechanical spring									
C value [l/(s*bar)]	4.4	7.0	7.3	9.7	15.7	17.0	17.3	24.2	28.0	27.6
b value	0.44	0.31	0.28	0.47	0.33	0.30	0.41	0.30	0.32	0.32
Direction of flow	Non-reversible									
Supply voltage [V DC/AC]	24, 110, 230									
Electrical connection	Plug to DIN 43 650, type C									
Duty cycle	100%									
Protection class	IP65									

- - Note: This product conforms to ISO 1179-1 and to ISO 228-1

Standard nominal flow rate ¹⁾ qnN [l/min]						
Connection	G $\frac{1}{8}$	G $\frac{1}{4}$	G $\frac{3}{8}$	G $\frac{1}{2}$	G $\frac{3}{4}$	G1
Mini						
HEE	1000	1500	1600	-	-	-
Midi						
HEE	-	2400	3200	3600	3800	-
Maxi						
HEE	-	-	-	5600	6000	6500

1) Measured at p₁ = 6 bar and Δp = 1 bar.

On-off valves HEE, D series, metal design

Technical data

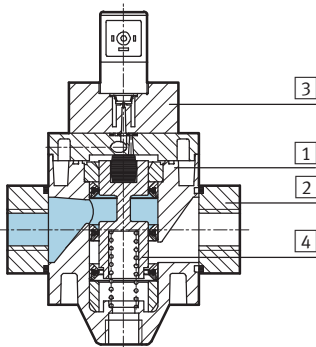
Ambient conditions				
Size		Mini	Midi	Maxi
Ambient temperature	[°C]	-10 ... +60		
Temperature of medium	[°C]	-10 ... +60		
Corrosion resistance class	CRC ¹⁾	2		

1) Corrosion resistance class 2 according to Festo standard 940 070
 Components requiring moderate corrosion resistance. Externally visible parts with primarily decorative surface requirements which are in direct contact with a normal industrial environment or media such as coolants or lubricating agents.

Weight [g]				
Size		Mini	Midi	Maxi
HEE		223	500	800

Materials

Sectional view



On-off valve		
1	Housing	Die-cast aluminium
2	Connecting plates	Wrought aluminium alloy
3	Solenoid and intermediate plate	Polyamide
4	Piston	Stainless steel
-	Seals	Nitrile rubber
Note on materials		Free of copper, PTFE and silicone

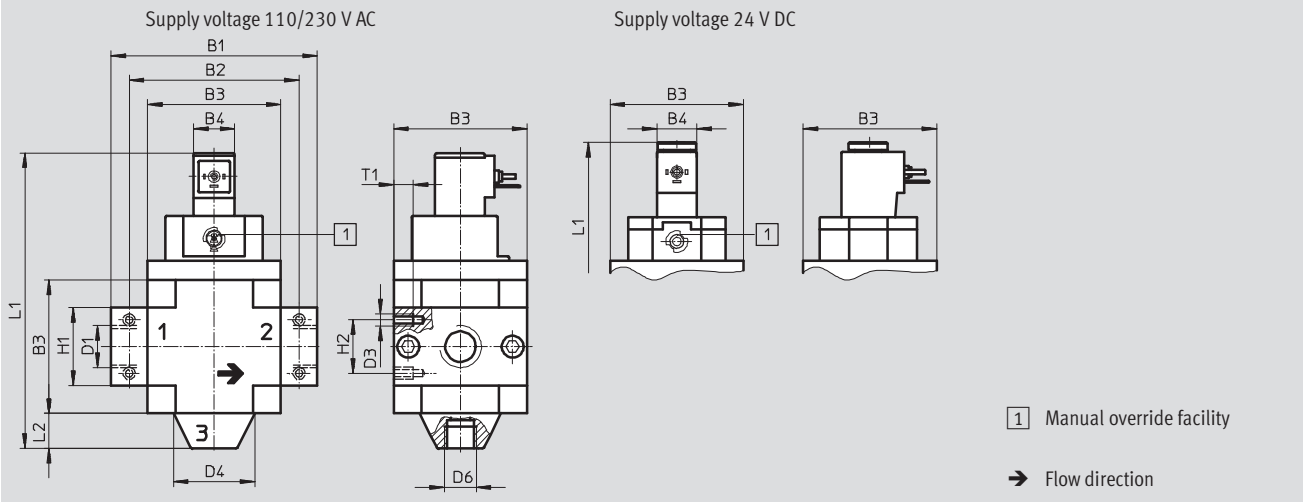
On-off valves HEE, D series, metal design

Technical data

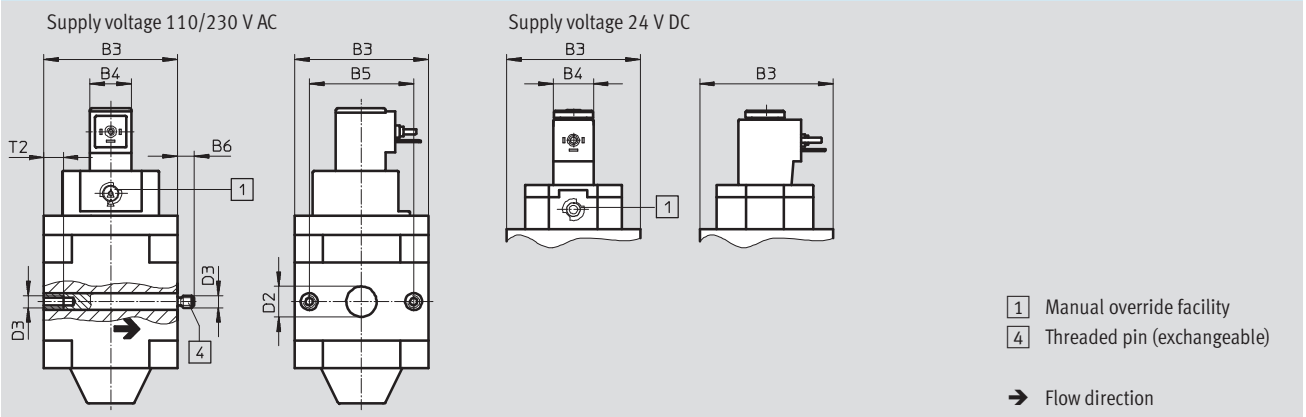
Dimensions

Download CAD data → www.festo.com

Mini/Midi/Maxi, with threaded connecting plates



Mini/Midi/Maxi, without threaded connecting plates



Type	B1	B2	B3	B4	B5	B6	D1	D2 ∅	D3	D4 ∅	D6	H1	H2	L1		L2	T1	T2
														24 V DC	110 V AC 230 V AC			
Mini																		
HEE-1/8-D-MINI	64	52	40	17	30	-	G1/8	-	M4	24	G1/8	20	11	108	104	11	7	-
HEE-1/4-D-MINI							G1/4											
HEE-3/8-D-MINI							G3/8											
HEE-D-MINI	-	-	-	-	-	5.8	-	11	-	-	-	-	-	-	-	-	-	10
Midi																		
HEE-1/4-D-MIDI	85	70	55	17	43	-	G1/4	-	M5	34	G1/4	32	22	126	122	14	8	-
HEE-3/8-D-MIDI							G3/8											
HEE-1/2-D-MIDI							G1/2											
HEE-3/4-D-MIDI							G3/4											
HEE-D-MIDI	-	-	-	-	-	6.8	-	24	-	-	-	-	-	-	-	-	-	11
Maxi																		
HEE-1/2-D-MAXI	96	80	66	17	46	-	G1/2	-	M5	38	G3/8	32	22	139	135	16	8	-
HEE-3/4-D-MAXI							G3/4											
HEE-1-D-MAXI	116	91	-	-	-	-	G1	-	-	-	-	40	-	-	-	-	-	-
HEE-D-MAXI	-	-	-	-	-	6.8	-	30	-	-	-	-	-	-	-	-	-	11

• | - Note: This product conforms to ISO 1179-1 and to ISO 228-1

On-off valves HEE, D series, metal design

FESTO

Technical data

Ordering data							
3/2-way valve, operating pressure 2.5 ... 16 bar, normally closed							
Size	Connection	24 V DC		110 V AC		230 V AC	
		Part No.	Type	Part No.	Type	Part No.	Type
Without threaded connecting plates							
Mini		172956	HEE-D-MINI-24	172957	HEE-D-MINI-110	172958	HEE-D-MINI-230
Midi		172959	HEE-D-MIDI-24	172960	HEE-D-MIDI-110	172961	HEE-D-MIDI-230
Maxi		172962	HEE-D-MAXI-24	172963	HEE-D-MAXI-110	172964	HEE-D-MAXI-230

Ordering data							
3/2-way valve, operating pressure 2.5 ... 16 bar, normally closed							
Size	Connection	24 V DC		110 V AC		230 V AC	
		Part No.	Type	Part No.	Type	Part No.	Type
With threaded connecting plates							
Mini	G $\frac{1}{8}$	165068	HEE- $\frac{1}{8}$ -D-MINI-24	165069	HEE- $\frac{1}{8}$ -D-MINI-110	165070	HEE- $\frac{1}{8}$ -D-MINI-230
	G $\frac{1}{4}$	165071	HEE- $\frac{1}{4}$ -D-MINI-24	165072	HEE- $\frac{1}{4}$ -D-MINI-110	165073	HEE- $\frac{1}{4}$ -D-MINI-230
	G $\frac{3}{8}$	165074	HEE- $\frac{3}{8}$ -D-MINI-24	165075	HEE- $\frac{3}{8}$ -D-MINI-110	172940	HEE- $\frac{3}{8}$ -D-MINI-230
Midi	G $\frac{1}{4}$	186515	HEE- $\frac{1}{4}$ -D-MIDI-24	186517	HEE- $\frac{1}{4}$ -D-MIDI-110	186516	HEE- $\frac{1}{4}$ -D-MIDI-230
	G $\frac{3}{8}$	172941	HEE- $\frac{3}{8}$ -D-MIDI-24	172942	HEE- $\frac{3}{8}$ -D-MIDI-110	172943	HEE- $\frac{3}{8}$ -D-MIDI-230
	G $\frac{1}{2}$	172944	HEE- $\frac{1}{2}$ -D-MIDI-24	172945	HEE- $\frac{1}{2}$ -D-MIDI-110	172946	HEE- $\frac{1}{2}$ -D-MIDI-230
	G $\frac{3}{4}$	172947	HEE- $\frac{3}{4}$ -D-MIDI-24	172948	HEE- $\frac{3}{4}$ -D-MIDI-110	172949	HEE- $\frac{3}{4}$ -D-MIDI-230
Maxi	G $\frac{1}{2}$	186518	HEE- $\frac{1}{2}$ -D-MAXI-24	186520	HEE- $\frac{1}{2}$ -D-MAXI-110	186519	HEE- $\frac{1}{2}$ -D-MAXI-230
	G $\frac{3}{4}$	172950	HEE- $\frac{3}{4}$ -D-MAXI-24	172951	HEE- $\frac{3}{4}$ -D-MAXI-110	172952	HEE- $\frac{3}{4}$ -D-MAXI-230
	G1	172953	HEE-1-D-MAXI-24	172954	HEE-1-D-MAXI-110	172955	HEE-1-D-MAXI-230

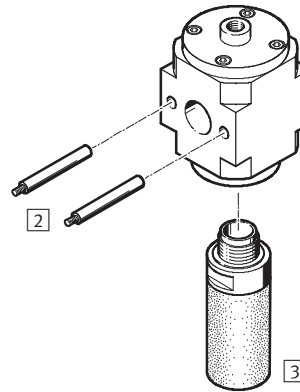
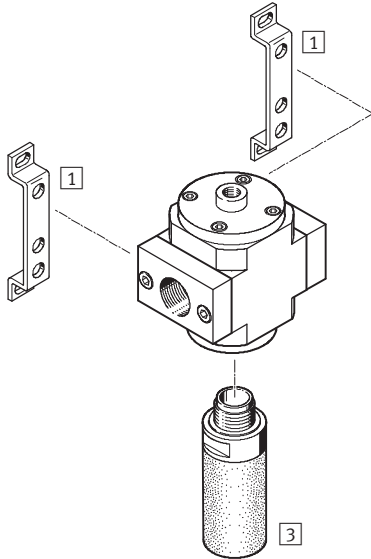
On-off valves HEP, D series, metal design

Peripherals overview and Type codes

Mini/Midi/Maxi

Individual unit with connection plates

Individual unit without connection plates, for service unit combination



Mounting attachments and accessories					
	Individual unit		Combination		→ Page/ Internet
	with connection plates	without connection plates	with connection plates	without connection plates	
1 Mounting bracket HFOE	■	-	■	-	hfoe-d
2 Threaded pin (included in scope of delivery) FRB	-	-	■	■	frb-d
3 Silencer U	■	■	■	■	27

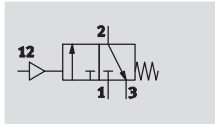
		HEP	1/4	D	MIDI
Basic function		HEP	On-off valve, pneumatic		
Pneumatic connection		1/8	Thread G1/8	1/4	Thread G1/4
	3/8	Thread G3/8		1/2	Thread G1/2
	3/4	Thread G3/4		1	Thread G1
Series		D	Series		
Size		MINI	Grid dimension 40 mm (without connecting plates)	MIDI	Grid dimension 55 mm (without connecting plates)
	MAXI	Grid dimension 66 mm (without connecting plates)			




On-off valves HEP, D series, metal design

Technical data

FESTO

Function



-  - Flow rate
800 ... 6500 l/min
-  - Temperature range
-10 ... +60 °C
-  - Operating pressure
2 ... 16 bar



- Pneumatically actuated on-off valve for pressurising and venting pneumatic installations
- The valve can be used as a single unit or in combination with other D series modules
- These valves are particularly suitable for applications in explosion protection areas

General technical data										
Size	Mini			Midi				Maxi		
Pneumatic connection	G1/8	G1/4	G3/8	G1/4	G3/8	G1/2	G3/4	G1/2	G3/4	G1
Operating medium	Filtered compressed air, lubricated or unlubricated, grade of filtration 50 µm									
Design	Piston spool valve									
Type of mounting	Via accessories									
	In-line installation									
Assembly position	Any									
Operating pressure [bar]	2 ... 16									
Pilot pressure [bar]	3 ... 16									
Valve function	3/2-way valve									
Exhaust function	Without flow control									
Type of actuation	Mechanical spring									
C value [l/(s*bar)]	4.3	7.2	7.7	10.1	15.5	16.6	16.2	24.2	28.0	27.6
b value	0.48	0.34	0.30	0.46	0.33	0.40	0.47	0.30	0.32	0.32
Direction of flow	Non-reversible									

• Note: This product conforms to ISO 1179-1 and to ISO 228-1

Standard nominal flow rate ¹⁾ qnN [l/min]						
Connection	G1/8	G1/4	G3/8	G1/2	G3/4	G1
Mini						
HEP	1000	1500	1600	-	-	-
Without threaded connecting plates	800			-	-	-
Midi						
HEP	-	2600	3500	3900	4100	-
Without threaded connecting plates	-	1900				-
Maxi						
HEP	-	-	-	5600	6000	6500
Without threaded connecting plates	-	-	-	2400		

1) Measured at p1 = 6 bar and Δp = 1 bar.

On-off valves HEP, D series, metal design

Technical data

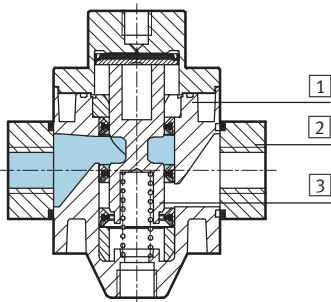
Ambient conditions				
Size		Mini	Midi	Maxi
Ambient temperature	[°C]	-10 ... +60 °C		
Temperature of medium	[°C]	-10 ... +60 °C		
Corrosion resistance class	CRC ¹⁾	2		

1) Corrosion resistance class 2 according to Festo standard 940 070
 Components requiring moderate corrosion resistance. Externally visible parts with primarily decorative surface requirements which are in direct contact with a normal industrial environment or media such as coolants or lubricating agents.

Weight [g]				
Size		Mini	Midi	Maxi
HEP		223	500	800

Materials

Sectional view

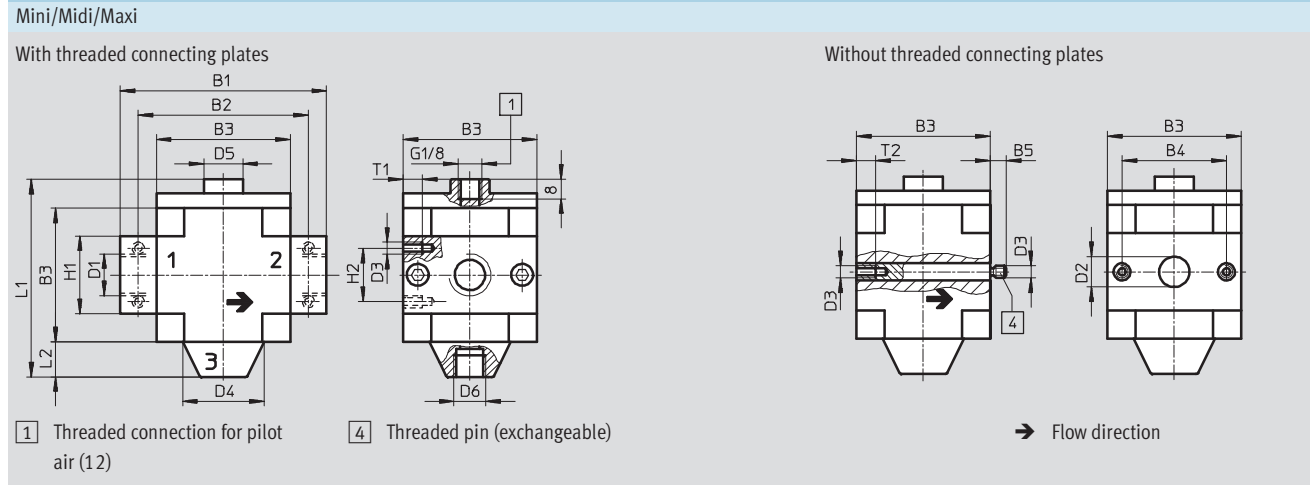


On-off valve		
1	Housing	Die-cast aluminium
2	Connecting plates	Wrought aluminium alloy
3	Piston	Stainless steel
-	Seals	Nitrile rubber
	Note on materials	Free of copper, PTFE and silicone

On-off valves HEP, D series, metal design

Technical data

Dimensions Download CAD data → www.festo.com



Type	B1	B2	B3	B4	B5	D1	D2 Ø	D3	D4 Ø	D5	D6	H1	H2	L1	L2	T1	T2
Mini																	
HEP-1/8-D-MINI	64	52	40	30	-	G1/8	-	M4	24	16	G1/8	20	11	73.8	11	7	-
HEP-1/4-D-MINI						G1/4											
HEP-3/8-D-MINI	70					G3/8											
HEP-D-MINI	-	-			5.8	-	11					-	-			-	10
Midi																	
HEP-1/4-D-MIDI	85	70	55	43	-	G1/4	-	M5	34	32	G1/4	32	22	94.6	14	8	-
HEP-3/8-D-MIDI						G3/8											
HEP-1/2-D-MIDI						G1/2											
HEP-3/4-D-MIDI						G3/4											
HEP-D-MIDI	-	-			6.8	-	24					-	-			-	11
Maxi																	
HEP-1/2-D-MAXI	96	80	66	46	-	G1/2	-	M5	38	16	G3/8	32	22	95.6	16	8	-
HEP-3/4-D-MAXI						G3/4											
HEP-1-D-MAXI	116	91				G1						40					
HEP-D-MAXI	-	-			6.8	-	30					-	-			-	11

• Note: This product conforms to ISO 1179-1 and to ISO 228-1

On-off valves HEP, D series, metal design

Technical data

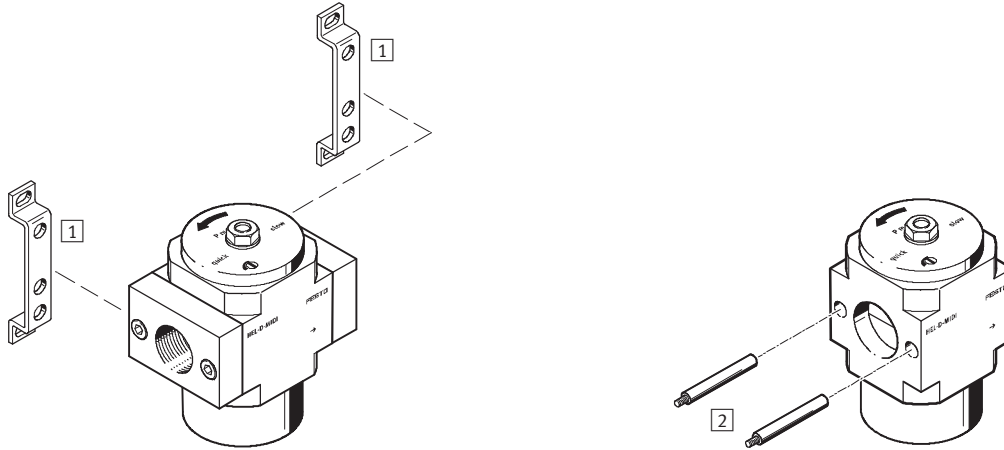
Ordering data			
Pneumatic actuation, 3/2-way valve, operating pressure 2 ... 16 bar, normally closed			
Size	Part No.	Type	
Without threaded connecting plates			
Mini	193242	HEP-D-MINI	
Midi	193249	HEP-D-MIDI	
Maxi	193257	HEP-D-MAXI	

Ordering data			
Pneumatic actuation, 3/2-way valve, operating pressure 2 ... 16 bar, normally closed			
Size	Connection	Part No.	Type
With threaded connecting plates			
Mini	G1/8	193243	HEP-1/8-D-MINI
	G1/4	193244	HEP-1/4-D-MINI
	G3/8	193245	HEP-3/8-D-MINI
Midi	G1/4	193250	HEP-1/4-D-MIDI
	G3/8	193251	HEP-3/8-D-MIDI
	G1/2	193252	HEP-1/2-D-MIDI
	G3/4	193253	HEP-3/4-D-MIDI
Maxi	G1/2	193258	HEP-1/2-D-MAXI
	G3/4	193259	HEP-3/4-D-MAXI
	G1	193260	HEP-1-D-MAXI

Soft-start valves HEL, D series, metal design

Peripherals overview and Type codes

Mini/Midi/Maxi
Individual unit with connection plates Individual unit without connection plates, for service unit combination



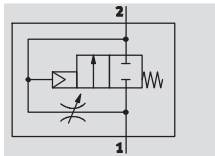
Mounting attachments and accessories					
	Individual unit		Combination		→ Page/ Internet
	with connection plates	without connection plates	with connection plates	without connection plates	
1 Mounting bracket HFOE	■	-	■	-	hfoe-d
2 Threaded pin (included in scope of delivery) FRB	-	-	■	■	frb-d

		HEL	-	1/4	-	D	-	MIDI
Basic function		HEL	Soft-start valve, gradual pressure build-up					
Pneumatic connection		1/8	Thread G1/8					
		1/4	Thread G1/4					
		3/8	Thread G3/8					
		1/2	Thread G1/2					
		3/4	Thread G3/4					
		1	Thread G1					
Series		D	Series					
Size		MINI	Grid dimension 40 mm (without connecting plates)					
		MIDI	Grid dimension 55 mm (without connecting plates)					
		MAXI	Grid dimension 66 mm (without connecting plates)					

Soft-start valves HEL, D series, metal design

Technical data

Function



- - Flow rate
1000 ... 6500 l/min
- - Temperature range
-10 ... +60 °C
- - Operating pressure
3 ... 16 bar



- Soft-start valve for gradual pressure build-up (for use with on-off valves HE and HEE)
- Drives are moved slowly and safely to their initial positions
- Sudden and erratic movements are avoided
- Pressure switching approx. 50% of input pressure
- Adjustable switching time delay

General technical data										
Size	Mini			Midi				Maxi		
Pneumatic connection	G1/8	G1/4	G3/8	G1/4	G3/8	G1/2	G3/4	G1/2	G3/4	G1
Operating medium	Filtered compressed air, lubricated or unlubricated, grade of filtration 50 µm									
Design	Piston spool valve									
Type of mounting	Via accessories									
	In-line installation									
Assembly position	Any									
Operating pressure [bar]	3 ... 16									
Valve function	2/2-way valve, single solenoid, closed									
Exhaust function	Flow control									
Reset method	Mechanical spring									
C value [l/(s*bar)]	4.4	7.9	9.1	10.0	18.4	21.0	22.5	26.9	31.0	29.0
b value	0.46	0.38	0.29	0.49	0.33	0.29	0.36	0.36	0.30	0.38
Type of actuation	Direct									
Direction of flow	Non-reversible									

- | - Note: This product conforms to ISO 1179-1 and to ISO 228-1

Standard nominal flow rate ¹⁾ qnN [l/min]						
Connection	G1/8	G1/4	G3/8	G1/2	G3/4	G1
Mini						
HEL	1000	1500	1600	-	-	-
Midi						
HEL	-	2600	3200	3600	3800	-
Maxi						
HEL	-	-	-	5600	6000	6500

1) Measured at p1 = 6 bar and Δp = 1 bar.

Soft-start valves HEL, D series, metal design

Technical data

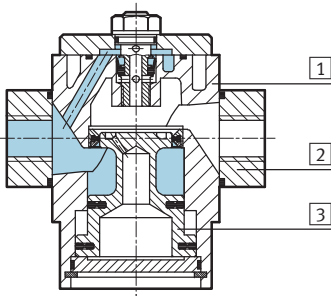
Ambient conditions				
Size		Mini	Midi	Maxi
Ambient temperature	[°C]	-10 ... +60		
Temperature of medium	[°C]	-10 ... +60		
Corrosion resistance class	CRC ¹⁾	2		

1) Corrosion resistance class 2 according to Festo standard 940 070
 Components requiring moderate corrosion resistance. Externally visible parts with primarily decorative surface requirements which are in direct contact with a normal industrial environment or media such as coolants or lubricating agents.

Weight [g]				
Size		Mini	Midi	Maxi
HEL		184	586	850

Materials

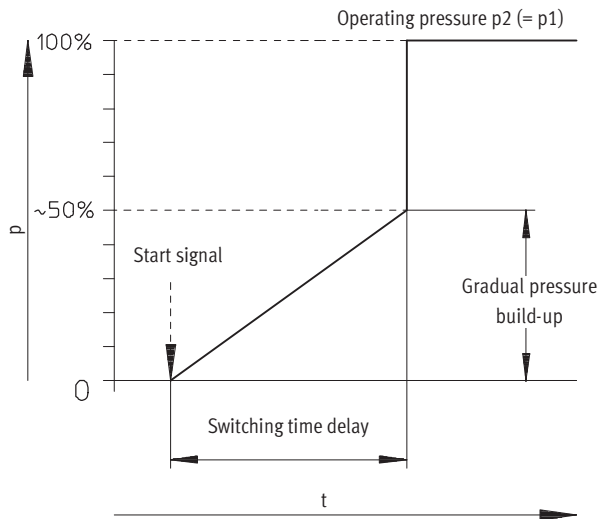
Sectional view



On-off valve		
1	Housing	Die-cast aluminium
2	Connecting plates	Wrought aluminium alloy
3	Piston	Stainless steel
-	Seals	Nitrile rubber
Note on materials		Free of copper, PTFE and silicone

Switching point

Pressure p as a function of time t



Soft-start valves HEL, D series, metal design

Technical data

Dimensions Download CAD data → www.festo.com

Mini

With threaded connecting plates Without threaded connecting plates

1 Regulating screw for flow control valve 4 Threaded pin (exchangeable) → Flow direction

Midi/Maxi

With threaded connecting plates Without threaded connecting plates

1 Regulating screw in housing 4 Threaded pin (exchangeable) → Flow direction

Type	B1	B2	B3	B4	B5	D1	D2	D3	D6	H1	H2	L1	L2	T1	T2
Mini															
HEL-1/8-D-MINI	64	52	40	30	-	G1/8	-	M4	30	20	11	66	16	7	-
HEL-1/4-D-MINI						G1/4									
HEL-3/8-D-MINI	70					G3/8									
HEL-D-MINI	-	-			5.8	-	11			-	-			-	10
Midi															
HEL-1/4-D-MIDI	85	70	55	43	-	G1/4	-	M5	50	32	22	77	22	8	-
HEL-3/8-D-MIDI						G3/8									
HEL-1/2-D-MIDI						G1/2									
HEL-3/4-D-MIDI						G3/4									
HEL-D-MIDI	-	-			6.8	-	24			-	-			-	11
Maxi															
HEL-1/2-D-MAXI	96	80	66	46	-	G1/2	-	M5	50	32	22	89	23	8	-
HEL-3/4-D-MAXI						G3/4									
HEL-1-D-MAXI	116	91				G1				40					
HEL-D-MAXI	-	-			6.8	-	30			-	-			-	11

• Note: This product conforms to ISO 1179-1 and to ISO 228-1

Soft-start valves HEL, D series, metal design

FESTO

Technical data

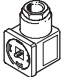
Ordering data		
Gradual pressure build-up, 2/2-way valve, operating pressure 3 ... 16 bar, normally closed		
Size	Part No.	Type
Without threaded connecting plates		
Mini	170690	HEL-D-MINI
Midi	170691	HEL-D-MIDI
Maxi	170692	HEL-D-MAXI

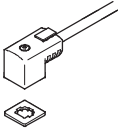
Ordering data			
Gradual pressure build-up, 2/2-way valve, operating pressure 3 ... 16 bar, normally closed			
Size	Connection	Part No.	Type
With threaded connecting plates			
Mini	G $\frac{1}{8}$	165076	HEL- $\frac{1}{8}$ -D-MINI
	G $\frac{1}{4}$	165077	HEL- $\frac{1}{4}$ -D-MINI
	G $\frac{3}{8}$	165078	HEL- $\frac{3}{8}$ -D-MINI
Midi	G $\frac{1}{4}$	186521	HEL- $\frac{1}{4}$ -D-MIDI
	G $\frac{3}{8}$	165079	HEL- $\frac{3}{8}$ -D-MIDI
	G $\frac{1}{2}$	165080	HEL- $\frac{1}{2}$ -D-MIDI
	G $\frac{3}{4}$	165081	HEL- $\frac{3}{4}$ -D-MIDI
Maxi	G $\frac{1}{2}$	186522	HEL- $\frac{1}{2}$ -D-MAXI
	G $\frac{3}{4}$	165082	HEL- $\frac{3}{4}$ -D-MAXI
	G1	165083	HEL-1-D-MAXI


On-off/soft-start valves HE/HEE/HEP/HEL, D series


FESTO

Accessories

Ordering data – Plug socket MSSD				Technical data → Internet: mssd	
	Operating voltage range	Electrical connection	Type of mounting cable connection	Part No.	Type
	≤ 250 V AC/DC	3-pin	Clamping screws	151687	MSSD-EB
		4-pin	Insulation displacement technology	192745	MSSD-EB-S-M14

Ordering data – Plug socket with cable KMEB					Technical data → Internet: kmeb	
	Operating voltage range	Electrical connection	Switching status display	Cable length [m]	Part No.	Type
	24 V DC	3-pin	LED	2.5	151688	KMEB-1-24-2,5-LED
				5	151689	KMEB-1-24-5-LED
				10	193457	KMEB-1-24-10-LED
	230 V AC	3-pin	–	2.5	151690	KMEB-1-230AC-2,5
				5	151691	KMEB-1-230AC-5

Ordering data – Illuminating seal MEB-LD			Technical data → Internet: meb	
	Description	Operating voltage range	Part No.	Type
	for plug socket with cable KMEB and plug socket MSSD-EB	12 ... 24 V DC	151717	MEB-LD-12-24DC
		230 V DC/AC ±10%	151718	MEB-LD-230AC

Ordering data – Silencer U		Technical data → Internet: u	
	Pneumatic connection	Part No.	Type
	G1/8	6841	U-1/8-B
	G1/4	6842	U-1/4-B
	G3/8	6843	U-3/8-B
	G1/2	6844	U-1/2-B
	G3/4	6845	U-3/4-B
	G1	151990	U-1-B

Ordering data – Padlock LRVS-D		Part No.	Type
	Weight [g]		
	120	193786	LRVS-D