



- Compact
- Functional
- Multiple variants
- Versatile

# Drive/drive connectors

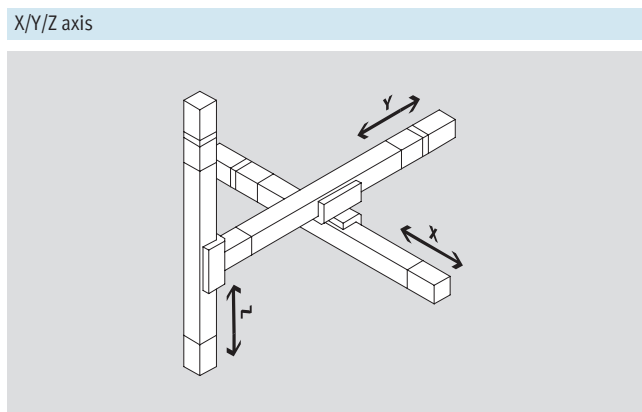
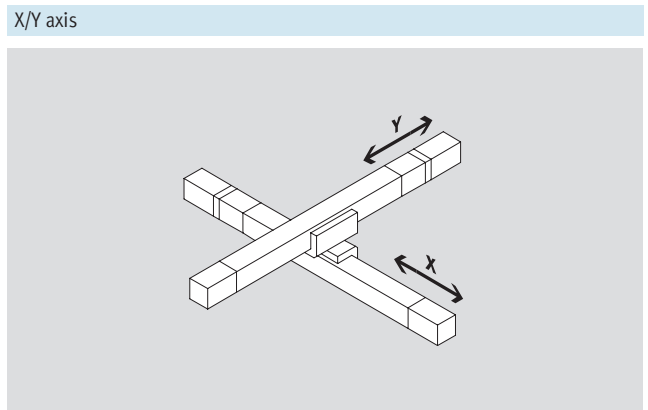
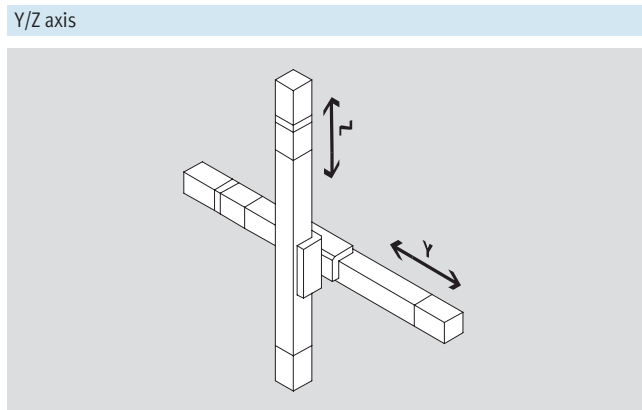
Key features

At a glance			
Compact	Functional	Versatile	Individual
<ul style="list-style-type: none"> <li>• Drive combinations with harmonised connecting kits</li> <li>• Sturdy kits for accurate and reliable drive combinations</li> </ul>	<ul style="list-style-type: none"> <li>• With the numerous adapter kit variants on offer a wealth of combination options is available</li> <li>• With linear movements in every direction, supplemented by rotary movements, almost any desired application can be realised</li> </ul>	<ul style="list-style-type: none"> <li>• Combination of different Festo drives into one complete system</li> <li>• All the parts required for the combination are included in the scope of delivery</li> </ul>	<ul style="list-style-type: none"> <li>• Application-oriented combinations can be selected:               <ul style="list-style-type: none"> <li>– Direct mounting</li> <li>– Dovetail mounting</li> </ul> </li> </ul>

## The system

### Definition of axes

To determine the drive, the movement planes are defined in the y and z axes. Depending on the combination and mounting position, the movement plane and thus the axis designation (y or x) may change.



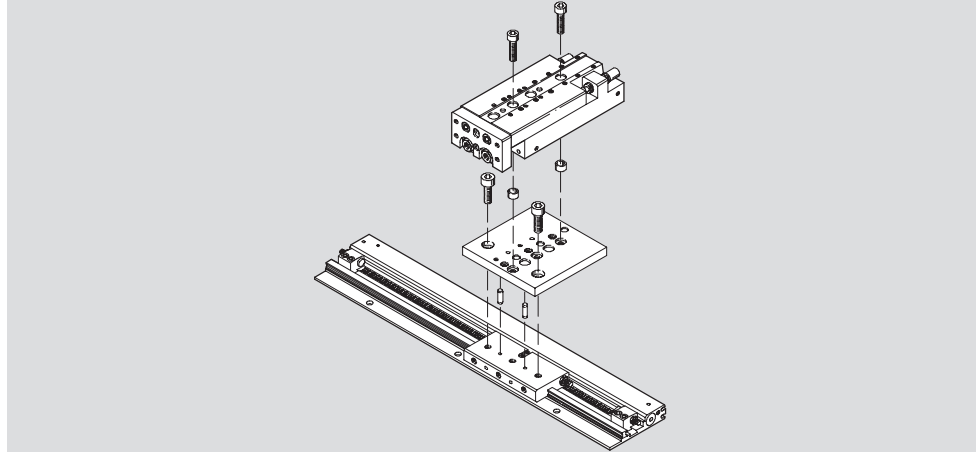
# Drive/drive connectors

Key features

## Types of connection

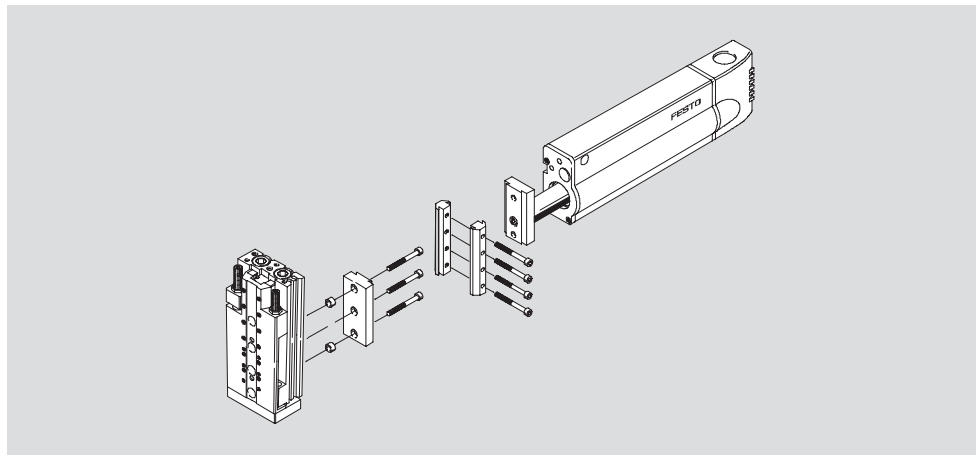
### Direct mounting

Two drives are connected directly using screws and centring sleeves or via an adapter plate using screws and centring sleeves.



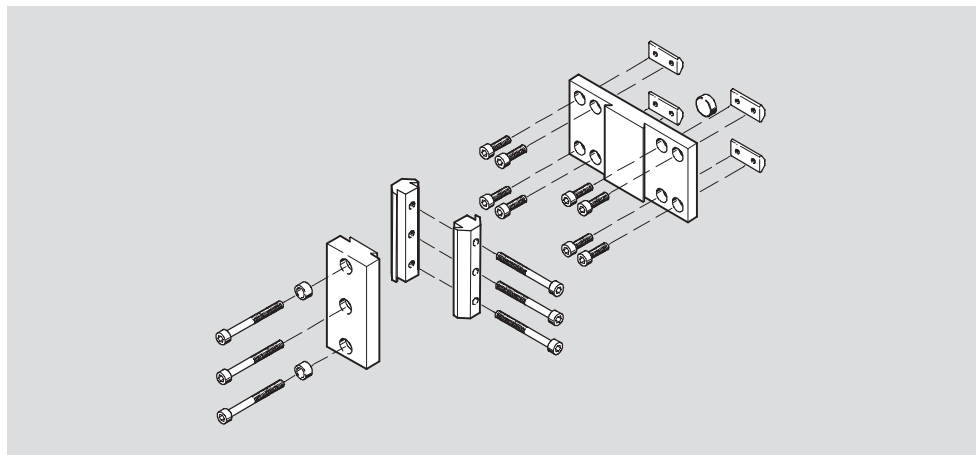
### Dovetail mounting

Two drives are connected using a dovetail clamping device and possibly also an adapter plate.



## Assembly

For the quick connection of two drives, the required screws, centring sleeves, centring pins, clamping components, adapter plates and slot nuts are contained in the scope of delivery of the adapter kit.



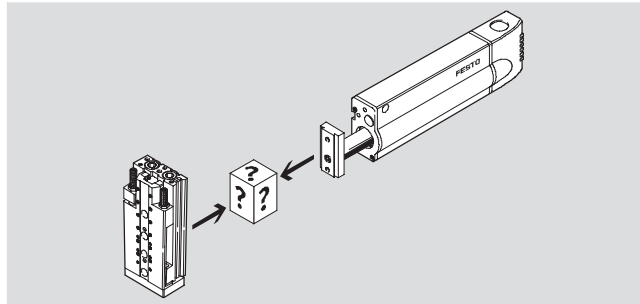
# Drive/drive connectors

Selection aid



Adapter kits provide a fast, sturdy and precise connection between Festo drive units.

The scope of delivery includes all necessary accessories such as bolts, centring discs, sleeves or pins, and nuts.



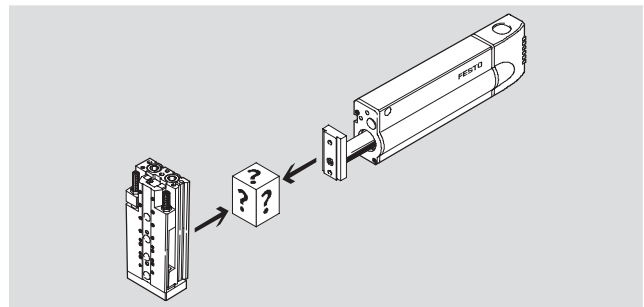
Possible combinations							
		X/Y					
		HMP, HME	HMPL	DGSL	SLT, SLTE	SLG	DRQD
Z	HMP	→ 6	-	-	-	-	→ 26
	HMPL	→ 8	→ 15	-	-	-	→ 26
	DGSL	→ 10	-	→ 17	-	→ 23	→ 18
	SLT, SLTE	→ 11	-	-	→ 20	→ 24	→ 26
	SLF	-	-	-	-	→ 25	-
	DRQD	→ 12	→ 16	→ 18	→ 21	-	-
	ERMB	-	-	→ 19	→ 22	-	-
	DSL	→ 14	-	-	-	-	-

# Drive/drive connectors

Selection aid

Adapter kits provide a fast, sturdy and precise connection between Festo drive units.

The scope of delivery includes all necessary accessories such as bolts, centring discs, sleeves or pins, and nuts.



Possible combinations								
		X/Y	DGC, DGPL, DGE-KF	DGEA	EGSA	DG...-HD	SPZ	DPZ
Z	HMP	→ 28	-	-	→ 46	→ 42	-	-
	HMPL	→ 29	-	-	→ 47	-	-	-
	DGSL	→ 30	-	-	→ 43	-	-	-
	SLT, SLTE	→ 31	-	-	-	-	-	-
	DRQD	→ 32	→ 32	→ 44	-	-	-	-
	ERMB	-	→ 34	→ 45	-	-	-	-
	DGC, DGPL, DGE, DGPIIL	→ 35	-	-	-	-	-	-
	DGEA	→ 35	-	-	-	-	-	-
	DFM	→ 36	-	-	-	-	-	-
	SPZ	-	-	-	-	→ 48	→ 48	-
	DPZ	→ 37	-	-	-	→ 48	→ 48	→ 48
	DSL	→ 38	-	-	-	-	-	-

# HMP, HME/HMP combination

Technical data

## Adapter kit HMSV

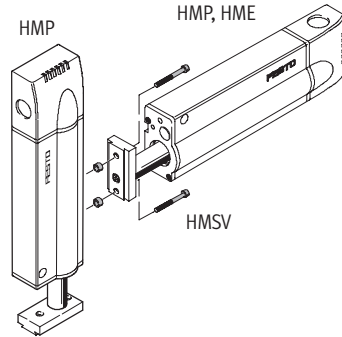
**Material:**

Wrought aluminium alloy, anodised

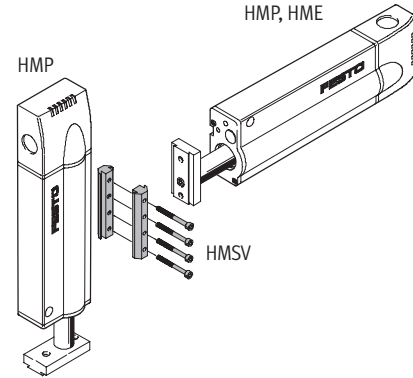
Centring sleeves: High-alloy steel

Slot nuts: Tempered steel

Free of copper, PTFE and silicone



Direct mounting

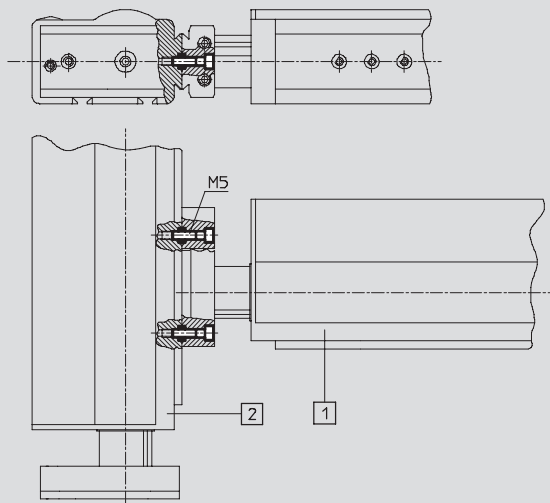


Dovetail mounting

## Dimensions and ordering data

Download CAD data → [www.festo.com](http://www.festo.com)

### Direct mounting



- 1 Linear module HMP, HME<sup>2)</sup>
- 2 Linear module HMP

Drive 1	Drive 2	CRC <sup>1)</sup>	Part No.	Type
HMP/HME-16 <sup>2)</sup>	HMP-16	2	177 648	HMSV-2
HMP-20	HMP-16/20		177 650	HMSV-4
HMP-25/32 HME-25 <sup>2)</sup>	HMP-16/20		177 651	HMSV-5
HMP/HME-25 <sup>2)</sup>	HMP-25		177 652	HMSV-6
HMP-32	HMP-25/32			

1) Corrosion resistance class 2 to Festo standard 940 070

Components subject to moderate corrosion stress. Externally visible parts with primarily decorative surface requirements which are in direct contact with a normal industrial environment or media such as coolants or lubricating agents

2) HME: Horizontal mounting position, vertical on request

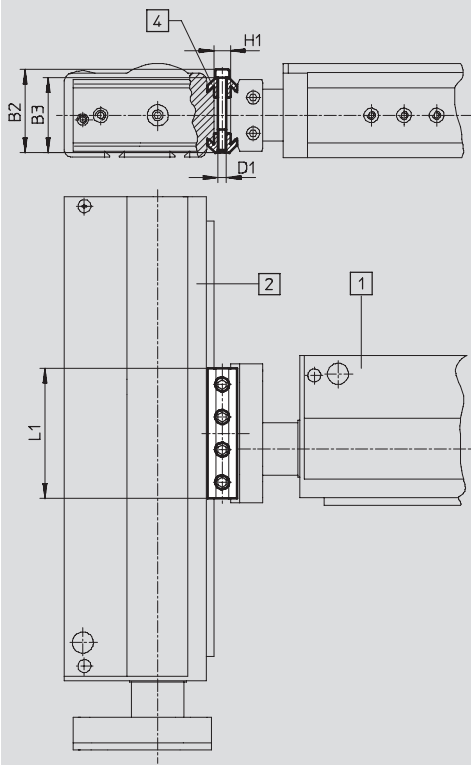
# HMP, HME/HMP combination

Technical data

## Dimensions and ordering data

Download CAD data → [www.festo.com](http://www.festo.com)

### Dovetail mounting



- 1 Linear module HMP, HME<sup>2)</sup>
- 2 Linear module HMP
- 4 Adapter kit HMSV

Drive 1	Drive 2	B2	B3	D1	H1	L1	CRC <sup>1)</sup>	Part No.	Type
HMP-16/20/25 HME-16/25 <sup>2)</sup>	HMP-16	51	46	M5	10	80	2	177 647	HMSV-1
HMP-20 HMP/HME-25 <sup>2)</sup>	HMP-20 HMP-20/25					100		177 649	HMSV-3
HMP-32	HMP-16 HMP-20/25/32					120		177 653	HMSV-7

- 1) Corrosion resistance class 2 to Festo standard 940 070  
Components subject to moderate corrosion stress. Externally visible parts with primarily decorative surface requirements which are in direct contact with a normal industrial environment or media such as coolants or lubricating agents
- 2) HME: Horizontal mounting position, vertical on request

# HMP, HME/HMPL combination

Technical data

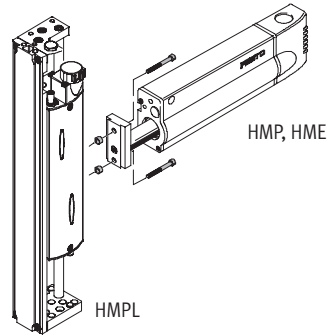
## Adapter kit HMSV

### Material:

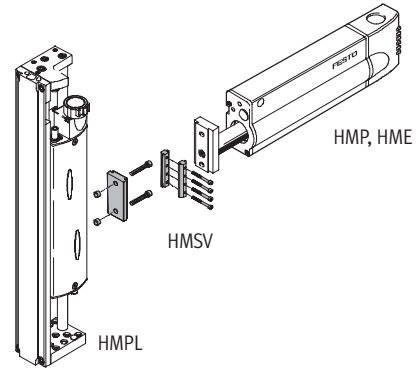
Wrought aluminium alloy, anodised

Centring sleeves: High-alloy steel

Free of copper, PTFE and silicone



Direct mounting

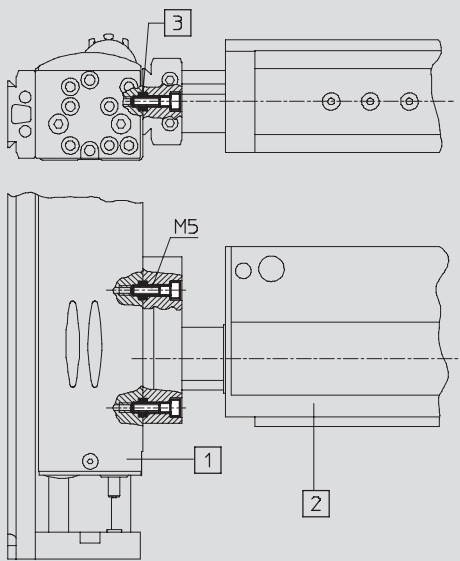


Dovetail mounting

## Dimensions and ordering data

Download CAD data → [www.festo.com](http://www.festo.com)

### Direct mounting



- 1 Linear module HMPL
- 2 Linear module HMP, HME
- 3 Centring sleeve ZBH-9

Drive	Drive	Part No.	Type	Required quantity	PU <sup>2)</sup>
HMP-16/20 HME-16	HMPL-12/16/20	–	M5x22 DIN 912 <sup>1)</sup>	2	–
		150 927	ZBH-9	2	10
HMP/HME-25	HMPL-16/20	–	M5x30 DIN 912 <sup>1)</sup>	2	–
		150 927	ZBH-9	2	10

1) The screws listed are not included with the drives

2) Packaging unit quantity



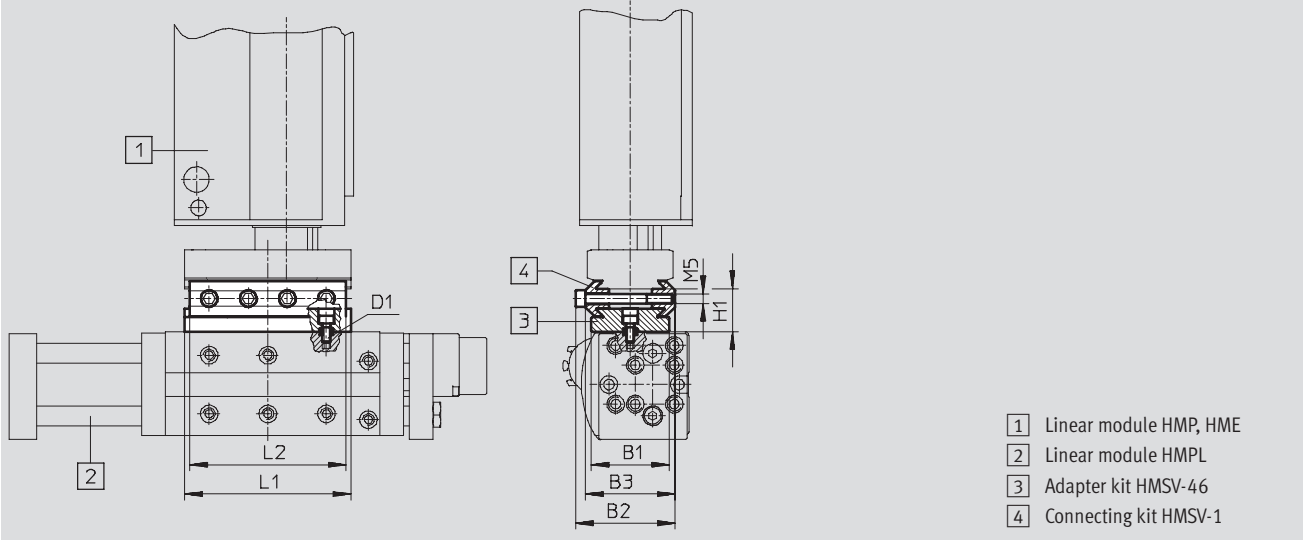
# HMP, HME/HMPL combination

Technical data

## Dimensions and ordering data

Download CAD data → [www.festo.com](http://www.festo.com)

### Dovetail mounting



Drive	Drive	B1	B2	B3	D1	H1	L1	L2	CRC <sup>1)</sup>	Part No.	Type
HMP-16/20	HMPL-12/16/20	40	51	46	M3	22	85	80	2	193 923	HMSV-46
HME-16										177 647	HMSV-1
HMP/HME-25	HMPL-16/20										
HMP-32	HMPL-20										

1) Corrosion resistance class 2 to Festo standard 940 070

Components subject to moderate corrosion stress. Externally visible parts with primarily decorative surface requirements which are in direct contact with a normal industrial environment or media such as coolants or lubricating agents

# HMP, HME/DGSL combination

Technical data

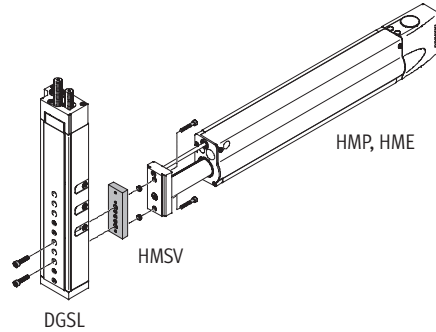
## Adapter kit HMSV

Material:

Wrought aluminium alloy, anodised

Centring sleeves: High-alloy steel

Free of copper, PTFE and silicone

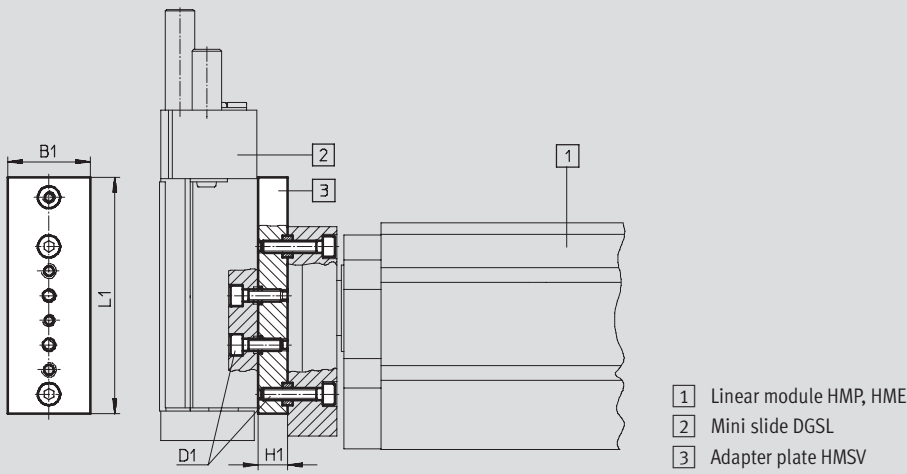


Direct mounting

## Dimensions and ordering data

Download CAD data → [www.festo.com](http://www.festo.com)

Direct mounting



Drive	Drive	B1	D1	H1	L1	CRC <sup>1)</sup>	Part No.	Type
HMP/HME-16	DGSL-16	34	M5	12	125	2	548 779	HMSV-49
HMP-20	DGSL-16/20							
HMP/HME-25	DGSL-20/25							
HMP-32	DGSL-25							

1) Corrosion resistance class 2 to Festo standard 940 070

Components subject to moderate corrosion stress. Externally visible parts with primarily decorative surface requirements which are in direct contact with a normal industrial environment or media such as coolants or lubricating agents

# HMP, HME/SLT, SLTE combination

Technical data

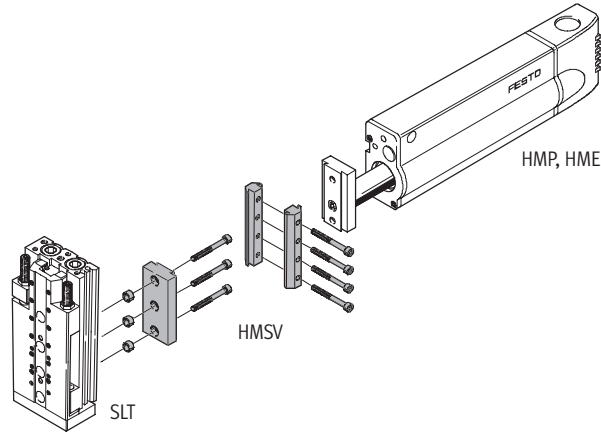
## Adapter kit HMSV

Material:

Wrought aluminium alloy, anodised

Centring sleeves: High-alloy steel

Free of copper, PTFE and silicone

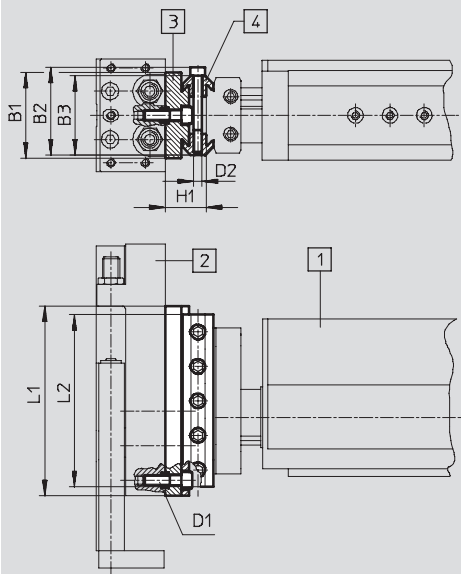


Dovetail mounting

## Dimensions and ordering data

Download CAD data → [www.festo.com](http://www.festo.com)

Dovetail mounting



- 1 Linear module HMP, HME
- 2 Mini slide SLT, SLTE
- Adapter kit HMSV, comprising:
- 3 Adapter plate
- 4 Dovetail clamp

Drive	Drive	B1	B2	B3	D1	D2	H1	L1	L2	CRC <sup>1)</sup>	Part No.	Type
HMP/HME-16	SLT-6	40	51	46	M3	M5	22	85	80	2	178 329	HMSV-34
HMP-16/20 HME-16	SLT/SLTE-10				M4			178 330			HMSV-35	
HMP-16/20/25 HME-16/25	SLT/SLTE-16	50			24		110	100	178 331		HMSV-36	
HMP-20/25/32 HME-25	SLT-20	80			M6		26	100	178 332		HMSV-37	
HMP-25/32 HME-25	SLT-25				M8							

1) Corrosion resistance class 2 to Festo standard 940 070

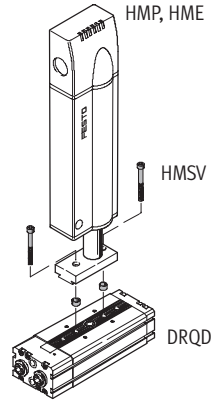
Components subject to moderate corrosion stress. Externally visible parts with primarily decorative surface requirements which are in direct contact with a normal industrial environment or media such as coolants or lubricating agents

# HMP, HME/DRQD combination

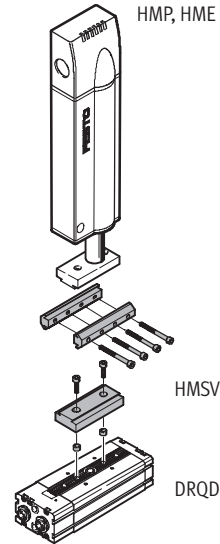
Technical data

## Adapter kit HMSV

Material:  
Wrought aluminium alloy, anodised  
Centring sleeves: High-alloy steel  
Free of copper, PTFE and silicone



Direct mounting



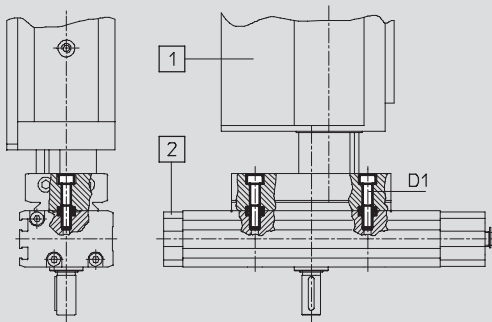
Dovetail mounting

## Dimensions and ordering data

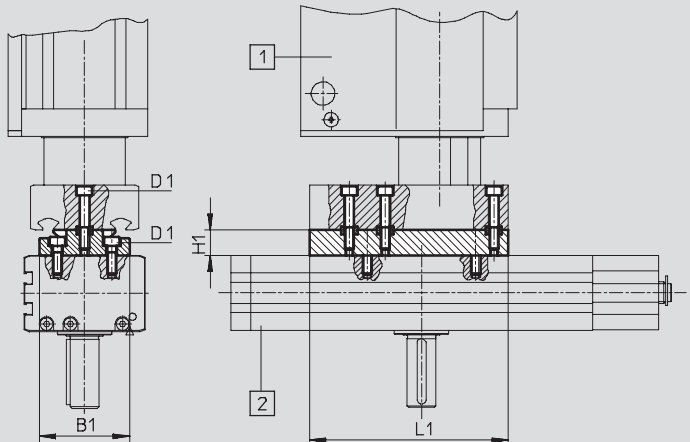
Download CAD data → [www.festo.com](http://www.festo.com)

### Direct mounting

HMSV-4/-5



HMSV-11/-13/-15/-17



- 1 Linear module HMP, HME<sup>2)</sup>
- 2 Semi-rotary drive DRQD

Drive	Drive	B1	D1	H1	L1	CRC <sup>1)</sup>	Part No.	Type
HMP-16/20 HME-16 <sup>2)</sup>	DRQD-B-16/20	-	M5	-	-	2	177 650	HMSV-4
HMP/HME-25 <sup>2)</sup>	DRQD-B-16/20	50		14	110		177 651	HMSV-5
	DRQD-B-25						177 657	HMSV-11
HMP-32	DRQD-B-20			133	177 659		HMSV-13	
	DRQD-B-25		177 661		HMSV-15			
	DRQD-B-32	177 663	HMSV-17					

- 1) Corrosion resistance class 2 to Festo standard 940 070  
Components subject to moderate corrosion stress. Externally visible parts with primarily decorative surface requirements which are in direct contact with a normal industrial environment or media such as coolants or lubricating agents
- 2) HME: Horizontal mounting position, vertical on request

# HMP, HME/DRQD combination

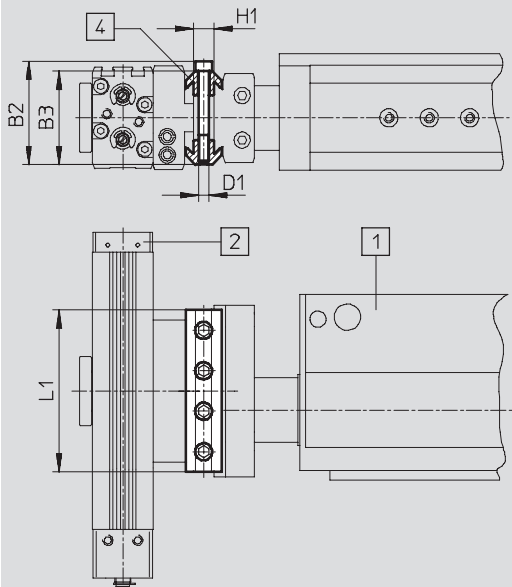
Technical data

## Dimensions and ordering data

Download CAD data → [www.festo.com](http://www.festo.com)

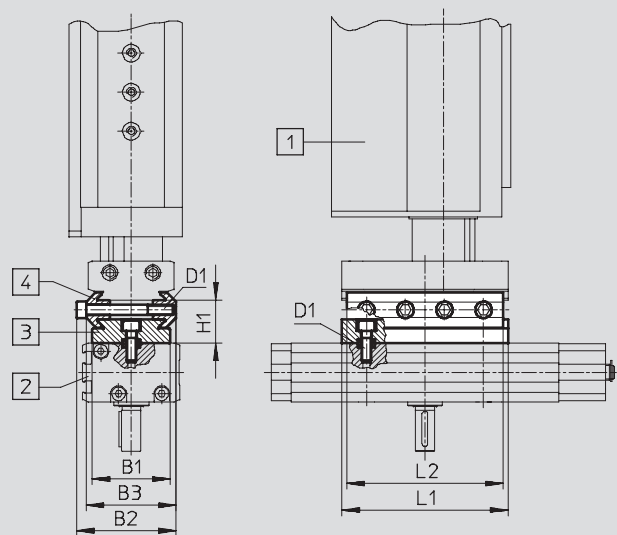
### Dovetail mounting

HMSV-1



- 1 Linear module HMP, HME<sup>2)</sup>
- 2 Semi-rotary drive DRQD-SD
- 4 Dovetail clamp

HMSV-10/14/16/18/19



- 1 Linear module HMP, HME<sup>2)</sup>
- 2 Semi-rotary drive DRQD

- Adapter kit HMSV, comprising:
- 3 Adapter plate
  - 4 Dovetail clamp

Drive	Drive	B1	B2	B3	D1	H1	L1	L2	CRC <sup>1)</sup>	Part No.	Type
HMP-16/20/25/32 HME-16 <sup>2)</sup>	DRQD-B-16/20 (SD32, SD42)	-	51	46	M5	10	80	-	2	177 647	HMSV-1
HMP-16/20/25 HME-16/25 <sup>2)</sup>	DRQD-B-16/20	40	51	46	M5	22	85	80	2	177 656	HMSV-10
HMP/HME-25 <sup>2)</sup>	DRQD-B-25	50				110	100	177 660		HMSV-14	
HMP-32	DRQD-B-20					133	120	177 662		HMSV-16	
	DRQD-B-25							177 664		HMSV-18	
	DRQD-B-32								177 665	HMSV-19	

1) Corrosion resistance class 2 to Festo standard 940 070

Components subject to moderate corrosion stress. Externally visible parts with primarily decorative surface requirements which are in direct contact with a normal industrial environment or media such as coolants or lubricating agents

2) HME: Horizontal mounting position, vertical on request

# HMP, HME/DSL combination

Technical data

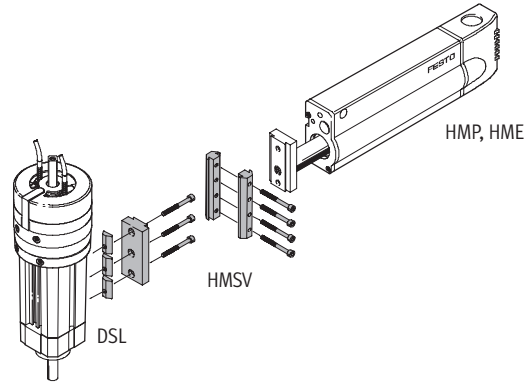
## Adapter kit HMSV

Material:

Wrought aluminium alloy, anodised

Slot nuts: Tempered steel

Free of copper, PTFE and silicone

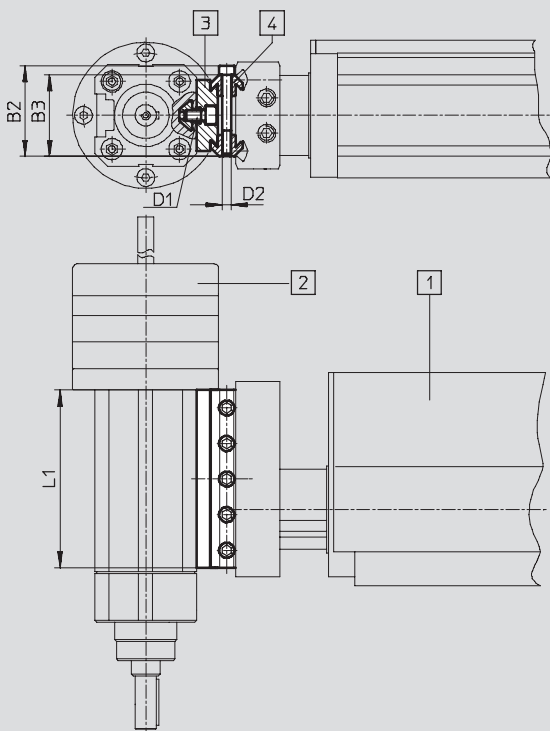


Dovetail mounting

## Dimensions and ordering data

Download CAD data → [www.festo.com](http://www.festo.com)

Dovetail mounting



- 1 Linear module HMP, HME
  - 2 Swivel/linear unit DSL
- Adapter kit HMSV, comprising:
- 3 Adapter plate
  - 4 Dovetail clamp

Drive	Drive	B2	B3	D1	D2	L1	CRC <sup>1)</sup>	Part No.	Type
HMP-16/20/25	DSL-16	51	46	M5	M5	80	2	177 654	HMSV-8
HME-16/25	DSL-20								
HMP-20/25	DSL-25			M6		100			
HME-25	DSL-20/25/32								
HMP/HME-25	DSL-25							177 655	HMSV-9
HMP-32	DSL-20/25/32								

1) Corrosion resistance class 2 to Festo standard 940 070

Components subject to moderate corrosion stress. Externally visible parts with primarily decorative surface requirements which are in direct contact with a normal industrial environment or media such as coolants or lubricating agents

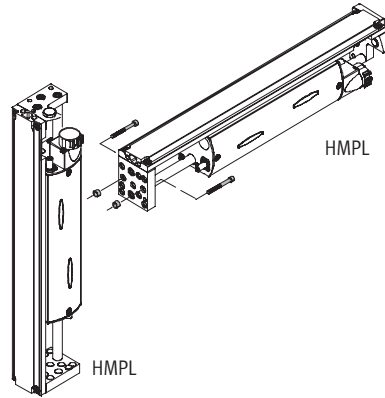
# HMPL/HMPL combination

Technical data

## Adapter kit

(user configured)

Material:  
to DIN 912  
Centring sleeves: High-alloy steel  
Free of copper, PTFE and silicone

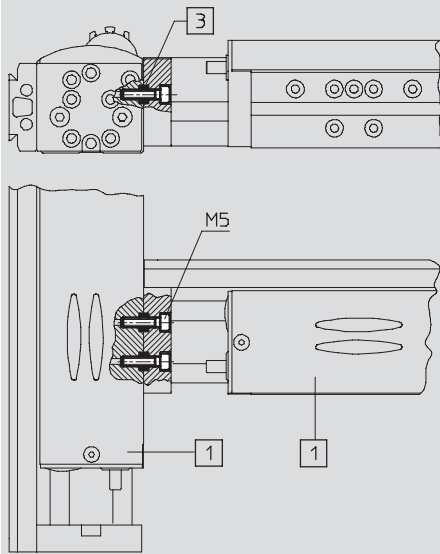


Direct mounting

## Dimensions and ordering data

Download CAD data → [www.festo.com](http://www.festo.com)

### Direct mounting



- 1 Linear module HMPL
- 3 Centring sleeve ZBH-9

Drive	Drive	Part No.	Type	Required quantity	PU <sup>2)</sup>
HMPL-12	HMPL-12	–	M5x16 DIN 912 <sup>1)</sup>	2	–
HMPL-16	HMPL-12/16	150 927	ZBH-9	2	10
HMPL-20	HMPL-12/16/20				

1) The screws listed are not included with the drives  
2) Packaging unit quantity

# HMPL/DRQD combination

Technical data

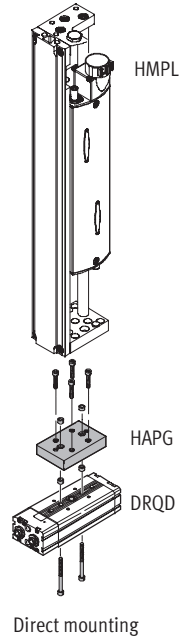
## Adapter kit HAPG

Material:

Wrought aluminium alloy, anodised

Centring sleeves: High-alloy steel

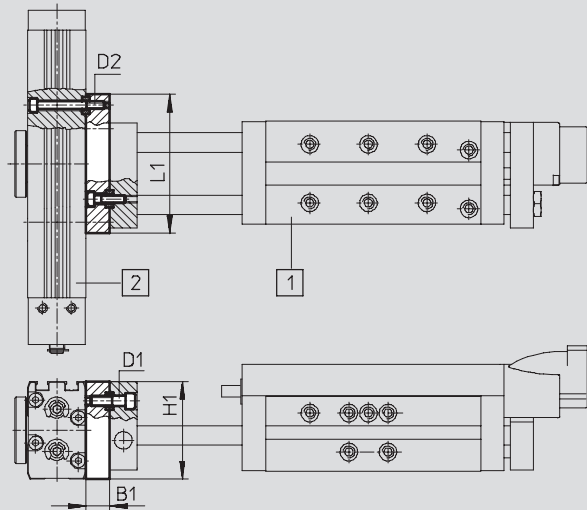
Free of copper, PTFE and silicone



## Dimensions and ordering data

Download CAD data → [www.festo.com](http://www.festo.com)

### Direct mounting



- 1 Linear module HMPL
- 2 Semi-rotary drive DRQD

Drive	Drive <sup>1)</sup>	B1	D1	D2	H1	L1	CRC <sup>2)</sup>	Part No.	Type	Required quantity
HMPL-12	DRQD-6	-	-	-	-	-	-	-	M4x16 DIN 912 <sup>3)</sup>	2
HMPL-16/20	DRQD-8/12	-	-	-	-	-	-	-	M5x20 DIN 912 <sup>3)</sup>	2
	DRQD-6	12	M5	M4	42	50	2	193 920	HAPG-36-S2	1
	DRQD-B-16/20				50	71		192 707	HAPG-38	1

1) When using DRQD-8 and 12 with flanged shaft with air throughfeed SD32, the mounting type DRQD-...-B2 must be chosen

2) Corrosion resistance class 2 to Festo standard 940 070

Components subject to moderate corrosion stress. Externally visible parts with primarily decorative surface requirements which are in direct contact with a normal industrial environment or media such as coolants or lubricating agents

3) The screws listed are not included with the drives



# DGSL/DGSL combination

Technical data

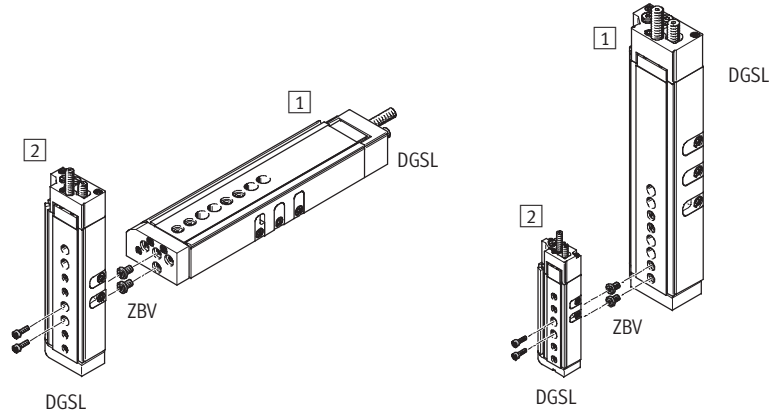
FESTO

## Adapter kit

Material:

Centring sleeves and connecting sleeves: High-alloy steel

Free of copper, PTFE and silicone



Direct mounting

Direct mounting

Ordering data		Download CAD data → <a href="http://www.festo.com">www.festo.com</a>				
Drive 1	Drive 2	CRC <sup>1)</sup>	Part No.	Type	Required quantity	PU <sup>4)</sup>
DGSL-4	DGSL-4	2	–	M3x7 <sup>2)</sup>	2	–
			189 652	ZBH-5 <sup>3)</sup>	2	10
DGSL-6	DGSL-4/-6		–	M3x10 <sup>2)</sup>	2	–
			189 652	ZBH-5 <sup>3)</sup>	2	10
DGSL-8/-10	DGSL-4/-6		548 802	ZBV-M4-7	1	3
DGSL-8/-10	DGSL-8		–	M4x12 <sup>2)</sup>	2	–
			186 717	ZBH-7 <sup>3)</sup>	2	10
DGSL-10	DGSL-10		–	M4x14 <sup>2)</sup>	3	–
			186 717	ZBH-7 <sup>3)</sup>	3	10
DGSL-12/-16	DGSL-8/-10		548 803	ZBV-M5-7	1	3
DGSL-12	DGSL-12		–	M5x14 <sup>2)</sup>	3	–
			186 717	ZBH-7 <sup>3)</sup>	3	10
DGSL-16	DGSL-12		–	M5x16 <sup>2)</sup>	3	–
			186 717	ZBH-7 <sup>3)</sup>	3	10
DGSL-16	DGSL-16		–	M5x18 <sup>2)</sup>	3	–
			186 717	ZBH-7 <sup>3)</sup>	3	10
DGSL-20/-25	DGSL-12/-16	548 804	ZBV-M5-9	1	3	
DGSL-20/-25	DGSL-20	–	M6x20 <sup>2)</sup>	3	–	
		150 927	ZBH-9 <sup>3)</sup>	3	10	
DGSL-25	DGSL-25	–	M6x30 <sup>2)</sup>	3	–	
		150 927	ZBH-9 <sup>3)</sup>	3	10	

- 1) Corrosion resistance class 2 to Festo standard 940 070  
Components subject to moderate corrosion stress. Externally visible parts with primarily decorative surface requirements which are in direct contact with a normal industrial environment or media such as coolants or lubricating agents
- 2) The screws listed are not included with the drives
- 3) The centring sleeves are supplied together with the drives
- 4) Packaging unit quantity

# DGSL/DRQD combination

Technical data

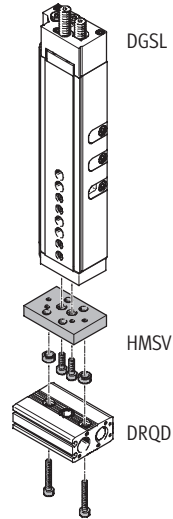
## Adapter kit HMSV

Material:

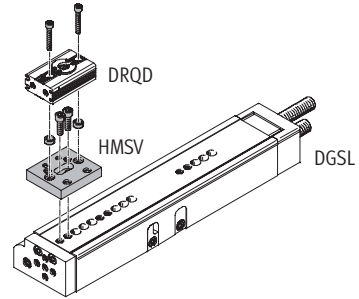
Wrought aluminium alloy, anodised

Centring sleeves: High-alloy steel

Free of copper, PTFE and silicone



Direct mounting on yoke plate

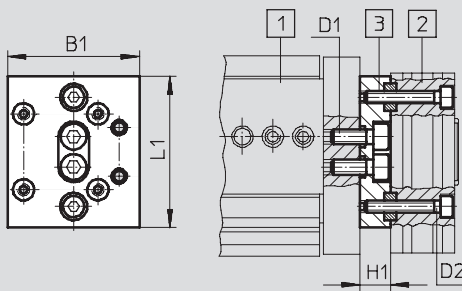


Direct mounting on slide

## Dimensions and ordering data

Download CAD data → [www.festo.com](http://www.festo.com)

Direct mounting



- 1 Mini slide DGSL
- 2 Semi-rotary drive DRQD
- 3 Adapter plate HMSV

Drive	Drive	B1	D1	D2	H1	L1	CRC <sup>1)</sup>	Part No.	Type
<b>Direct mounting on yoke plate</b>									
DGSL-4/6	DRQD-6	17	M3	M3	8	40	2	548 783	HMSV-53
DGSL-8/10	DRQD-8/12	33	M4	M3	9	50	2	548 784	HMSV-54
DGSL-12/16	DRQD-8/12	43.5	M6	M4	10			548 785	HMSV-55
DGSL-20/25	DRQD-B-16/20	73			12	100	548 786	HMSV-56	
<b>Direct mounting on slide</b>									
DGSL-8/10	DRQD-8/12	33	M4	M3	9	50	2	548 784	HMSV-54
DGSL-12/16	DRQD-8/12	43.5	M6	M4	10			548 785	HMSV-55
DGSL-20/25	DRQD-B-16/20	73			12	100	548 786	HMSV-56	

1) Corrosion resistance class 2 to Festo standard 940 070

Components subject to moderate corrosion stress. Externally visible parts with primarily decorative surface requirements which are in direct contact with a normal industrial environment or media such as coolants or lubricating agents

# DGSL/ERMB combination

Technical data

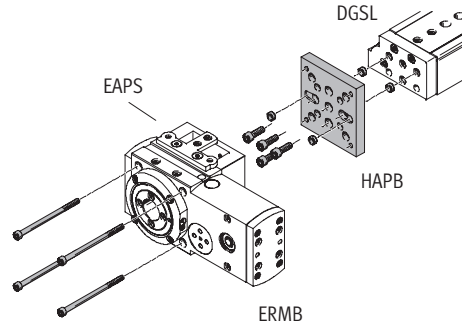
## Adapter kit HAPB

**Material:**

Wrought aluminium alloy, anodised

Centring sleeves: High-alloy steel

Free of copper, PTFE and silicone

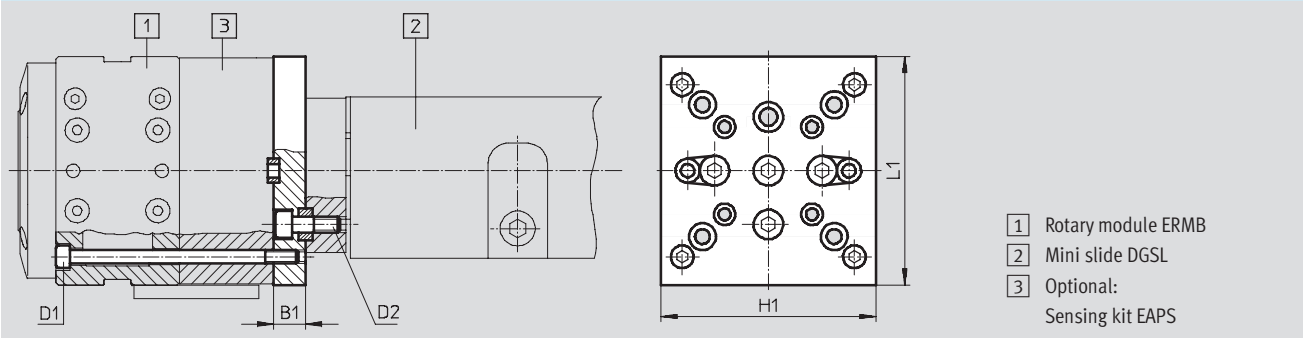


Direct mounting

## Dimensions and ordering data

Download CAD data → [www.festo.com](http://www.festo.com)

### Direct mounting



- 1 Rotary module ERMB
- 2 Mini slide DGSL
- 3 Optional:  
Sensing kit EAPS

Drive	Drive	Sensing kit	B1	D1	D2	H1	L1	CRC <sup>1)</sup>	Part No.	Type		
DGSL-16	ERMB-20	EAPS-...-20	17	M4	M5	50	72	2	558 306	HAPB-38		
DGSL-20/25					M6							
DGSL-20/25	ERMB-25	EAPS-...-25	12	M5	M6	80	85				558 307	HAPB-39
DGSL-25	ERMB-32	EAPS-...-32	12	M5	M6	100	115				558 308	HAPB-40

1) Corrosion resistance class 2 to Festo standard 940 070

Components subject to moderate corrosion stress. Externally visible parts with primarily decorative surface requirements which are in direct contact with a normal industrial environment or media such as coolants or lubricating agents

# SLT, SLTE/SLT, SLTE combination

Technical data

## Adapter kit

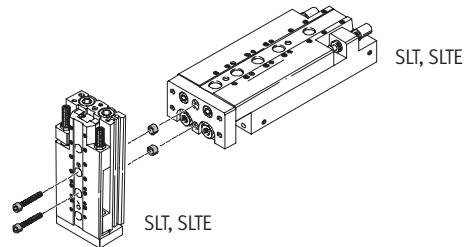
(user configured)

Material:

to DIN 912

Centring sleeves: High-alloy steel

Free of copper, PTFE and silicone

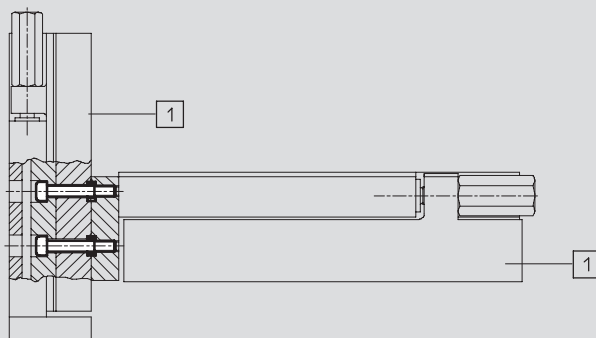


Direct mounting on yoke plate

## Dimensions and ordering data

Download CAD data → [www.festo.com](http://www.festo.com)

### Direct mounting



1 Mini slide SLT, SLTE

Drive	Drive	Part No.	Type	Required quantity	PU <sup>2)</sup>
SLT/SLTE-10	SLT-6	–	M3x20 DIN 912 <sup>1)</sup>	2	–
		189 652	ZBH-5	2	10
SLT/SLTE-16	SLT/SLTE-10	–	M4x25 DIN 912 <sup>1)</sup>	2	–
		186 717	ZBH-7	2	10
SLT-20	SLT/SLTE-16	–	M5x30 DIN 912 <sup>1)</sup>	2	–
		150 927	ZBH-9	2	10
SLT-25	SLT-20	–	M6x40 DIN 912 <sup>1)</sup>	2	–
		189 653	ZBH-12	2	10

1) The screws listed are not included with the drives

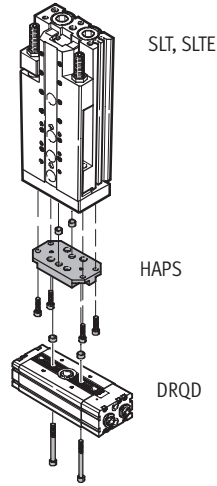
2) Packaging unit quantity

# SLT, SLTE/DRQD combination

Technical data

## Adapter kit HAPS

Material:  
Wrought aluminium alloy, anodised  
Centring sleeves: High-alloy steel  
Free of copper, PTFE and silicone

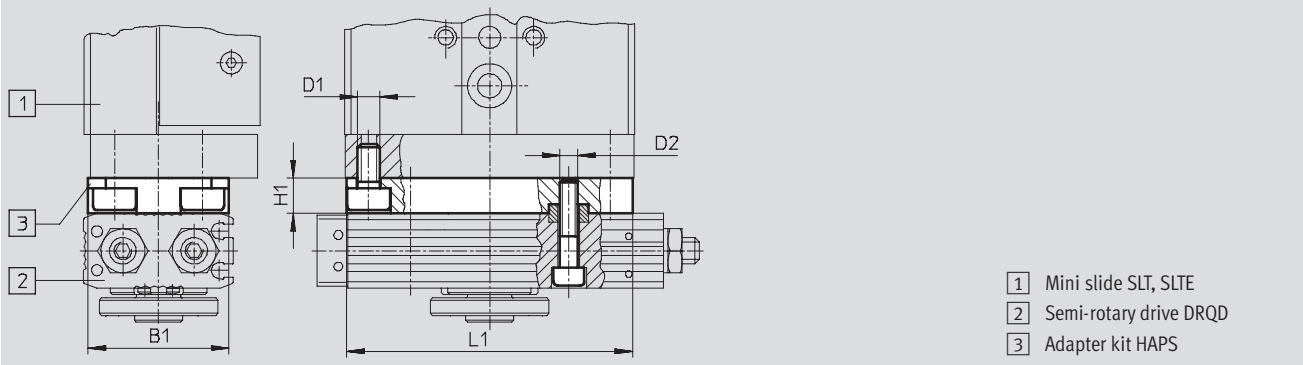


Direct mounting

## Dimensions and ordering data

Download CAD data → [www.festo.com](http://www.festo.com)

### Direct mounting



Drive	Drive	B1	D1	D2	H1	L1	CRC <sup>1)</sup>	Part No.	Type
SLT-6	DRQD-6	16	M3	M4	8	36	2	178 447	HAPS-1
SLT/SLTE-10	DRQD-8	28	M4			48		178 448	HAPS-2
SLT/SLTE-16	DRQD-12	32	M5	M5	65	178 449		HAPS-3	
SLT-20	DRQD-B-16/20	44			80	178 450		HAPS-4	
SLT-25	DRQD-B-16/20	58			M8	M6		91	178 451

1) Corrosion resistance class 2 to Festo standard 940 070  
Components subject to moderate corrosion stress. Externally visible parts with primarily decorative surface requirements which are in direct contact with a normal industrial environment or media such as coolants or lubricating agents

# SLT/ERMB combination

Technical data

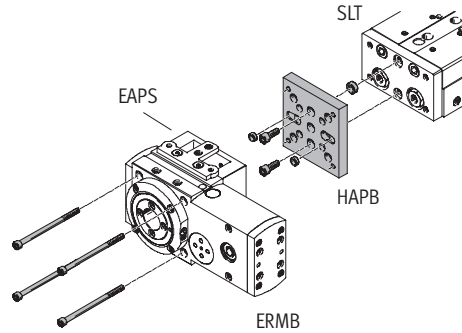
## Adapter kit HAPB

Material:

Wrought aluminium alloy, anodised

Centring sleeves: High-alloy steel

Free of copper, PTFE and silicone

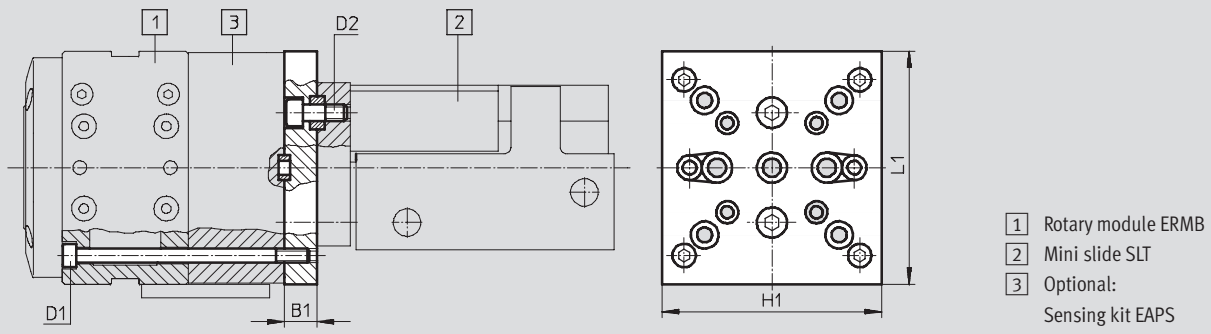


Direct mounting

## Dimensions and ordering data

Download CAD data → [www.festo.com](http://www.festo.com)

Direct mounting



Drive	Drive	Sensing kit	B1	D1	D2	H1	L1	CRC <sup>1)</sup>	Part No.	Type
SLT-20	ERMB-20	EAPS-20	17	M4	M5	50	72	2	<b>558 306</b>	<b>HAPB-38</b>
SLT-25	ERMB-25	EAPS-25	12	M5	M6	80	85		<b>558 307</b>	<b>HAPB-39</b>

1) Corrosion resistance class 2 to Festo standard 940 070

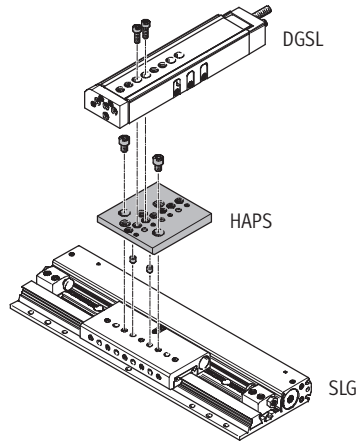
Components subject to moderate corrosion stress. Externally visible parts with primarily decorative surface requirements which are in direct contact with a normal industrial environment or media such as coolants or lubricating agents

# SLG/DGSL combination

Technical data

## Adapter kit HAPS

Material:  
 Wrought aluminium alloy, anodised  
 Centring sleeves: High-alloy steel  
 Free of copper, PTFE and silicone

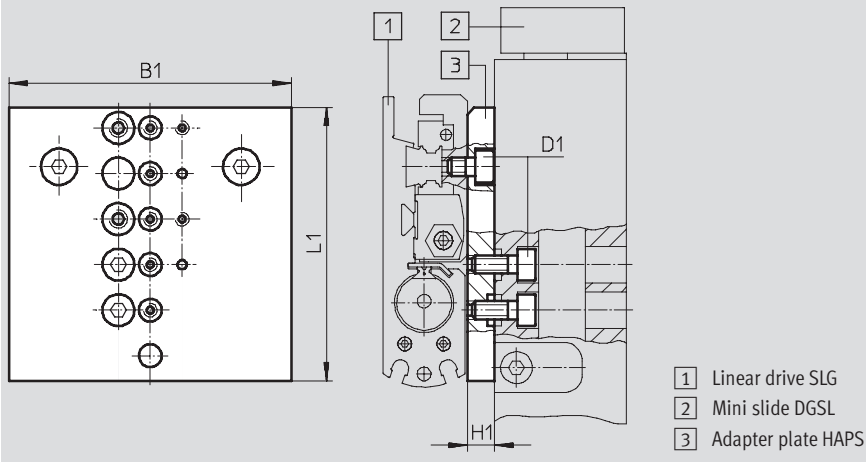


Direct mounting

## Dimensions and ordering data

Download CAD data → [www.festo.com](http://www.festo.com)

Direct mounting



Drive	Drive	B1	D1	H1	L1	CRC <sup>1)</sup>	Part No.	Type
SLG-8	DGSL-4/6	62	M4	6	60	2	189 533	HAPS-11
SLG-12	DGSL-4/6/8/10							
SLG-18	DGSL-8/10/12	65	M5	8	80		189 534	HAPS-12

1) Corrosion resistance class 2 to Festo standard 940 070

Components subject to moderate corrosion stress. Externally visible parts with primarily decorative surface requirements which are in direct contact with a normal industrial environment or media such as coolants or lubricating agents

# SLG/SLT, SLTE combination

Technical data

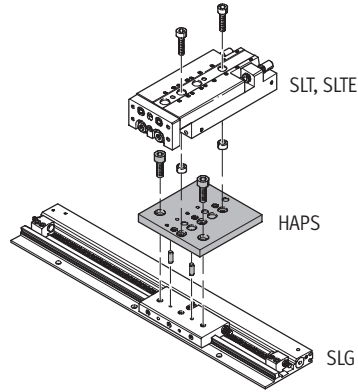
## Adapter kit HAPS

Material:

Wrought aluminium alloy, anodised

Centring sleeves: High-alloy steel

Free of copper, PTFE and silicone

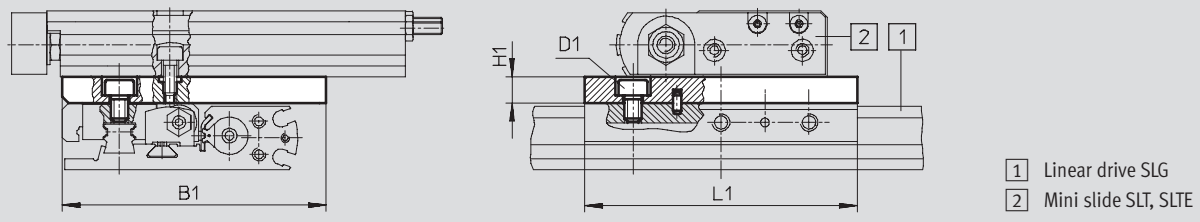


Direct mounting

## Dimensions and ordering data

Download CAD data → [www.festo.com](http://www.festo.com)

Direct mounting



Drive	Drive	B1	D1	H1	L1	CRC <sup>1)</sup>	Part No.	Type
SLG-8	SLT-6	60	M4	6	42	2	189 533	HAPS-11
SLG-12	SLT-6/10 SLTE-10							
SLG-18	SLT/SLTE-10/16	70	M5	8	65		189 534	HAPS-12

1) Corrosion resistance class 2 to Festo standard 940 070

Components subject to moderate corrosion stress. Externally visible parts with primarily decorative surface requirements which are in direct contact with a normal industrial environment or media such as coolants or lubricating agents



# SLG/SLF combination

Technical data

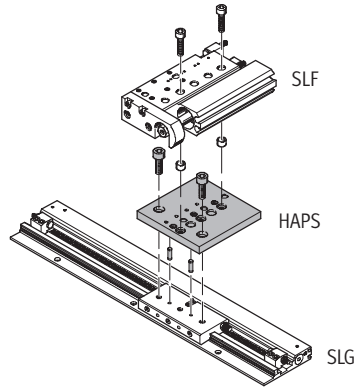
## Adapter kit HAPS

**Material:**

Wrought aluminium alloy, anodised

Centring sleeves: High-alloy steel

Free of copper, PTFE and silicone

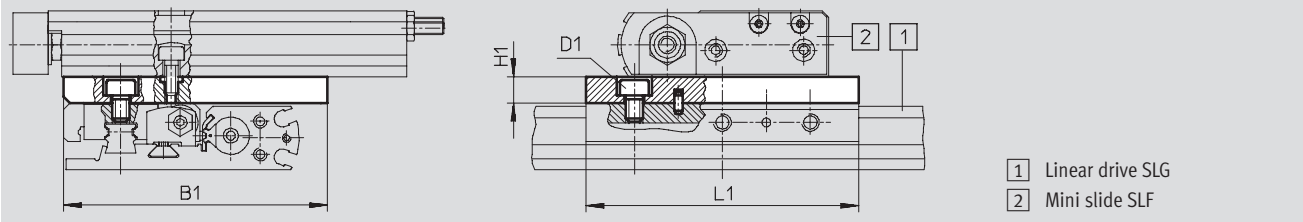


Direct mounting

## Dimensions and ordering data

Download CAD data → [www.festo.com](http://www.festo.com)

### Direct mounting



Drive	Drive	B1	D1	H1	L1	CRC <sup>1)</sup>	Part No.	Type
SLG-8/12	SLF-6/10	60	M4	6	42	2	189 533	HAPS-11
SLG-12	SLF-16							
SLG-18	SLF-10/16	70	M5	8	65		189 534	HAPS-12

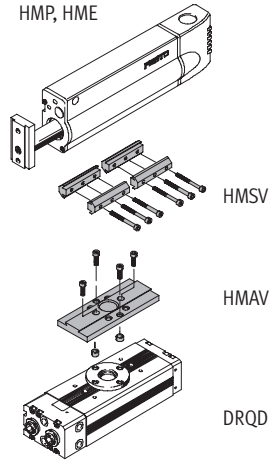
1) Corrosion resistance class 2 to Festo standard 940 070  
 Components subject to moderate corrosion stress. Externally visible parts with primarily decorative surface requirements which are in direct contact with a normal industrial environment or media such as coolants or lubricating agents

# DRQD/HMP, HME, HMPL, SLT, SLTE combination

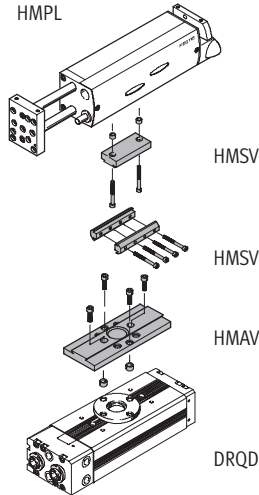
Technical data

## Adapter kit HMAV, HMSV

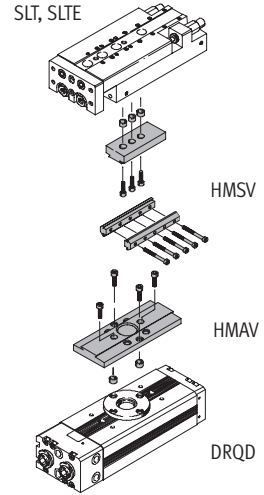
Material:  
Wrought aluminium alloy, anodised  
Centring sleeves: High-alloy steel  
Free of copper, PTFE and silicone



Dovetail mounting



Dovetail mounting

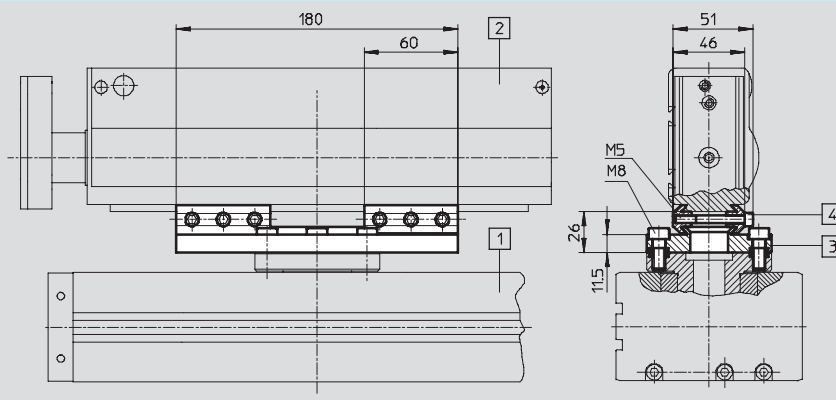


Dovetail mounting

## Dimensions and ordering data

Download CAD data → [www.festo.com](http://www.festo.com)

Dovetail mounting DRQD/HMP, HME



- 1 Semi-rotary drive DRQD
- 2 Linear module HMP, HME
- 3 Adapter kit HMAV-DRQD40/50
- 4 Adapter kit HMSV-7

Drive	Drive	CRC <sup>1)</sup>	Part No.	Type
DRQD-40/50	HMP-16/20 HME-16	2	533 804 177 653	HMAV-DRQD40/50 HMSV-7

1) Corrosion resistance class 2 to Festo standard 940 070  
Components subject to moderate corrosion stress. Externally visible parts with primarily decorative surface requirements which are in direct contact with a normal industrial environment or media such as coolants or lubricating agents

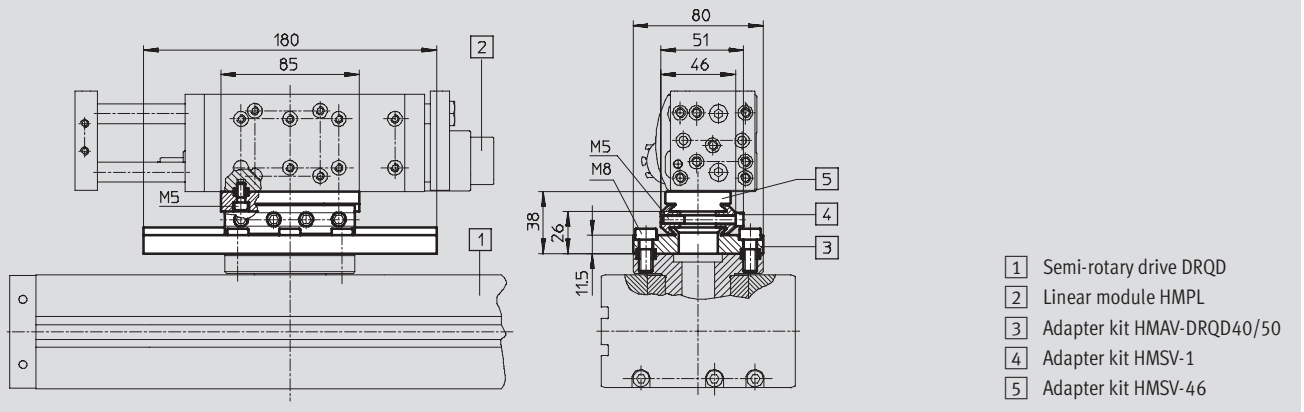
# DRQD/HMP, HME, HMPL, SLT, SLTE combination

Technical data

## Dimensions and ordering data

Download CAD data → [www.festo.com](http://www.festo.com)

### Dovetail mounting DRQD/HMPL

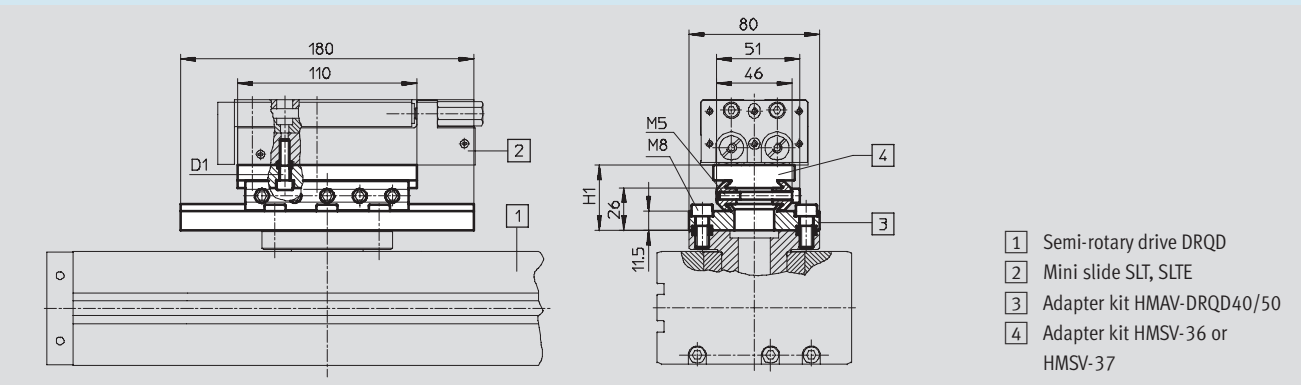


Drive	Drive	CRC <sup>1)</sup>	Part No.	Type
DRQD-40/50	HMPL-12/16/20	2	533 804	HMAV-DRQD40/50
			193 923	HMSV-46
			177 647	HMSV-1

1) Corrosion resistance class 2 to Festo standard 940 070

Components subject to moderate corrosion stress. Externally visible parts with primarily decorative surface requirements which are in direct contact with a normal industrial environment or media such as coolants or lubricating agents.

### Dovetail mounting DRQD/SLT, SLTE



Drive	Drive	D1	H1	CRC <sup>1)</sup>	Part No.	Type
DRQD-40	SLT/SLTE-16	-	-	2	533 804	HMAV-DRQD40/50
		M6	40		178 331	HMSV-36
DRQD-40/50	SLT-20/25	-	-		533 804	HMAV-DRQD40/50
		M8	42		178 332	HMSV-37

1) Corrosion resistance class 2 to Festo standard 940 070

Components subject to moderate corrosion stress. Externally visible parts with primarily decorative surface requirements which are in direct contact with a normal industrial environment or media such as coolants or lubricating agents

# DG.../HMP, HME combination

Technical data

## Adapter kit HMAV-DL

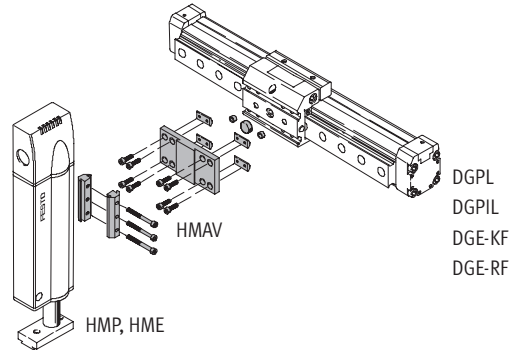
**Material:**

Wrought aluminium alloy, anodised

Centring sleeves: High-alloy steel

Slot nuts: Tempered steel

Free of copper, PTFE and silicone

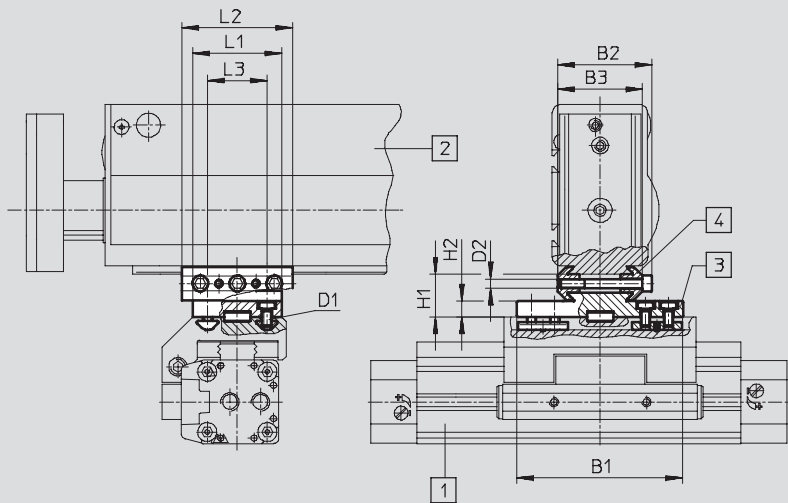


Dovetail mounting

## Dimensions and ordering data

Download CAD data → [www.festo.com](http://www.festo.com)

Dovetail mounting



- 1 Linear drives  
DGPL/DGPIL/DGE-KF/DGE-RF
- 2 Linear module HMP, HME<sup>2)</sup>  
Adapter kit HMAV-DL, comprising:
- 3 Adapter plate
- 4 Dovetail clamp

Drive	Drive	B1	B2	B3	D1	D2	H1	H2	L1	L2	L3	CRC <sup>1)</sup>	Part No.	Type
DG...-25	HMP-16/20 HME-16 <sup>2)</sup>	90	51	46	M5	M5	23	8.5	48	60	32	2	176 005	HMAV-DL25
DG...-32	HMP-16/20/25 HME-16/25 <sup>2)</sup>								63.5		47		176 006	HMAV-DL32
DG...-40	HMP-20/25/32 HME-16/25 <sup>2)</sup>								78	55	176 007		HMAV-DL40	
DG...-50	HMP-20/25/32 HME-16/25 <sup>2)</sup>	80	M8	M5	26	11.5	98	72	176 008	HMAV-DL50				
DG...-63	HMP-20/25/32 HME-16/25 <sup>2)</sup>						120	90	176 009	HMAV-DL63				

1) Corrosion resistance class 2 to Festo standard 940 070

Components subject to moderate corrosion stress. Externally visible parts with primarily decorative surface requirements which are in direct contact with a normal industrial environment or media such as coolants or lubricating agents

2) HME: Horizontal mounting position, vertical on request

# DG.../HMPL combination

Technical data

## Adapter kit HMAV, HMSV

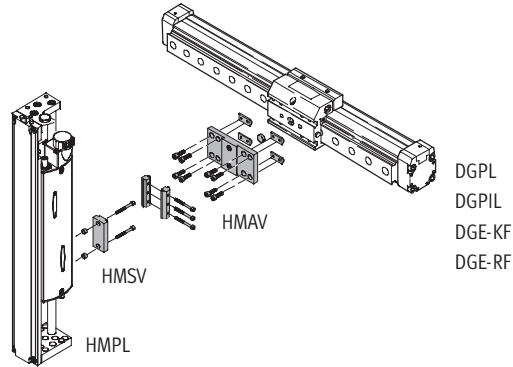
**Material:**

Wrought aluminium alloy, anodised

Centring sleeves: High-alloy steel

Slot nuts: Tempered steel

Free of copper, PTFE and silicone

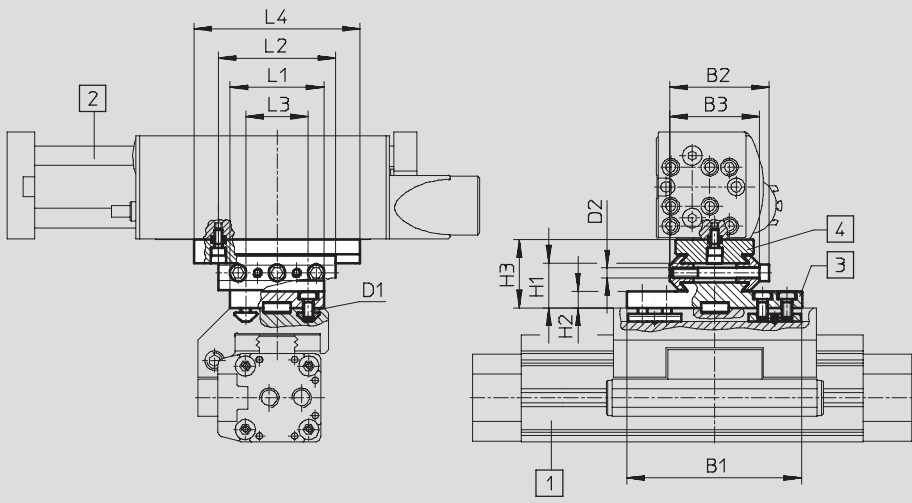


Dovetail mounting

## Dimensions and ordering data

Download CAD data → [www.festo.com](http://www.festo.com)

### Dovetail mounting



- 1 Linear drives  
DGPL/DGPIL/DGE-KF/DGE-RF
- 2 Linear module HMPL
- 3 Adapter kit HMAV-DL
- 4 Adapter kit HMSV-46

Drive	Drive	B1	B2	B3	D1	D2	H1	H2	H3	L1	L2	L3	L4	CRC <sup>1)</sup>	Part No.	Type
DG...-25	HMPL-12/16/20	90	51	46	M5	M5	23	8.5	35	48	60	32	85	2	176 005	HMAV-DL25
										63.5		47			193 923	HMSV-46
DG...-32	HMPL-16/20	90	51	46	M5	M5	23	8.5	35	63.5	60	47	85	2	176 006	HMAV-DL32
										78		55			193 923	HMSV-46
DG...-40	HMPL-20	90	51	46	M5	M5	23	8.5	35	78	60	55	85	2	176 007	HMAV-DL40
										63.5		47			193 923	HMSV-46

1) Corrosion resistance class 2 to Festo standard 940 070

Components subject to moderate corrosion stress. Externally visible parts with primarily decorative surface requirements which are in direct contact with a normal industrial environment or media such as coolants or lubricating agents

# DG.../DGSL combination

Technical data

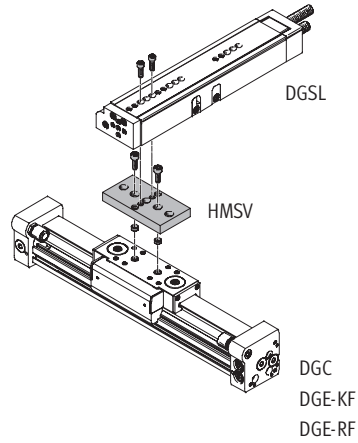
## Adapter kit HMSV

Material:

Wrought aluminium alloy, anodised

Centring sleeves: High-alloy steel

Free of copper, PTFE and silicone

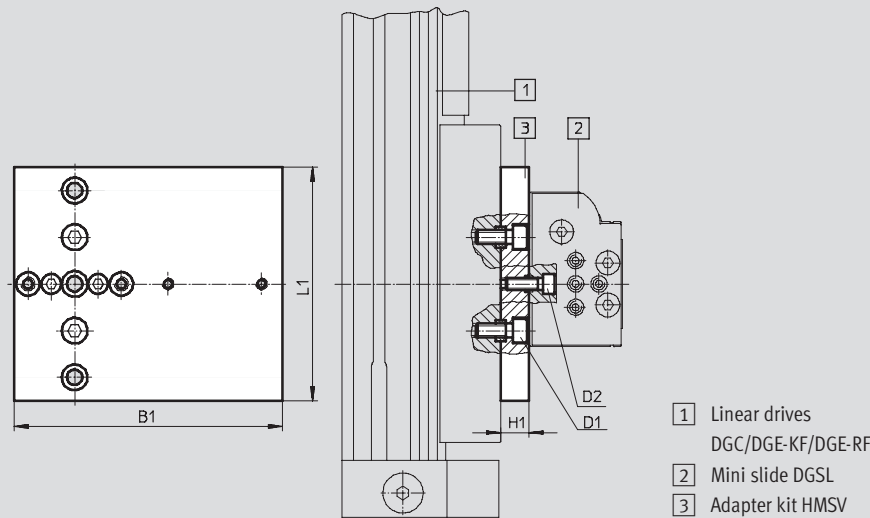


Direct mounting

## Dimensions and ordering data

Download CAD data → [www.festo.com](http://www.festo.com)

Direct mounting



Drive	Drive	B1	D1	D2	H1	L1	CRC <sup>1)</sup>	Part No.	Type
DGC-8/12	DGSL-4/6	25	M4	M3	6	52	2	548 777	HMSV-47
DGC-18	DGSL-8/10	50	M5	M4	8	60		548 778	HMSV-48
DGC-18	DGSL-12/16	40		M5	12	80		189 657	HMSV-41
DG...-25	DGSL-12/16/20/25	100	M6	M6	13	115		548 781	HMSV-51
DGC-32/40	DGSL-20/25	60				100		548 780	HMSV-50
DGE-40-KF									
DGE-40-RF									

1) Corrosion resistance class 2 to Festo standard 940 070

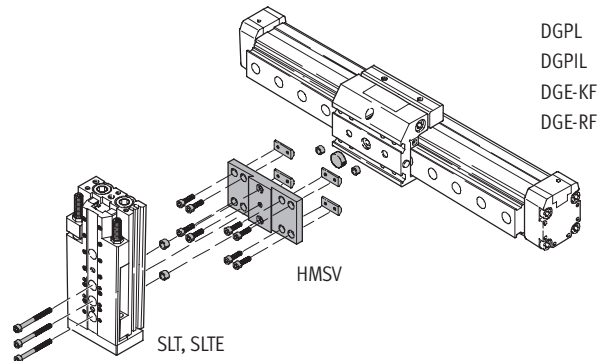
Components subject to moderate corrosion stress. Externally visible parts with primarily decorative surface requirements which are in direct contact with a normal industrial environment or media such as coolants or lubricating agents

# DG.../SLT, SLTE combination

Technical data

## Adapter kit HMSV

Material:  
 Wrought aluminium alloy, anodised  
 Centring sleeves: High-alloy steel  
 Slot nuts: Tempered steel  
 Free of copper, PTFE and silicone

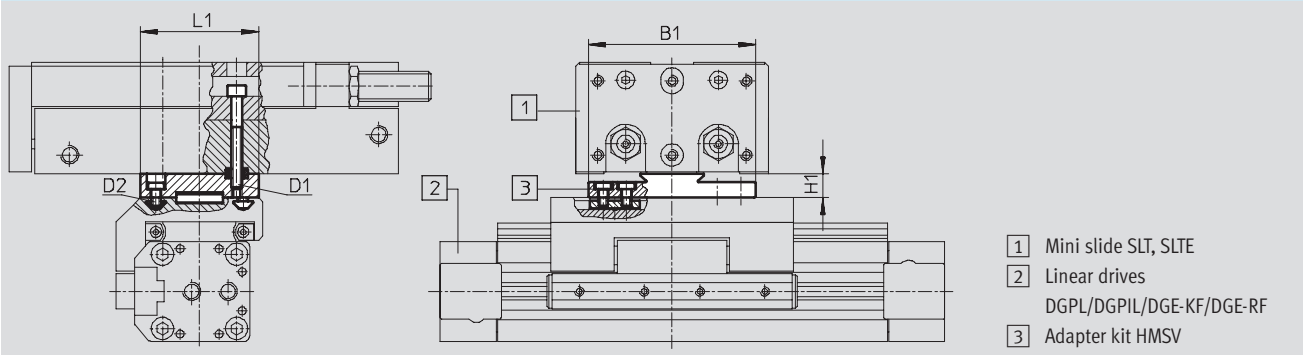


Dovetail mounting

## Dimensions and ordering data

Download CAD data → [www.festo.com](http://www.festo.com)

Dovetail mounting



Drive	Drive	B1	D1	D2	H1	L1	CRC <sup>1)</sup>	Part No.	Type
DG...-18	SLT/SLTE-10	80	M4	M5	12	40	2	189 656	HMSV-40
	SLT/SLTE-16		M5					189 657	HMSV-41
DG...-25	SLT/SLTE-16	90	M6	M5	13	54	2	189 658	HMSV-42
	SLT-20					63.5		189 659	HMSV-43
DG...-32	SLT-20	90	M6	M5	13	63.5	2	189 660	HMSV-44
	SLT-25							189 661	HMSV-45

1) Corrosion resistance class 2 to Festo standard 940 070  
 Components subject to moderate corrosion stress. Externally visible parts with primarily decorative surface requirements which are in direct contact with a normal industrial environment or media such as coolants or lubricating agents

# DG.../DRQD combination

Technical data

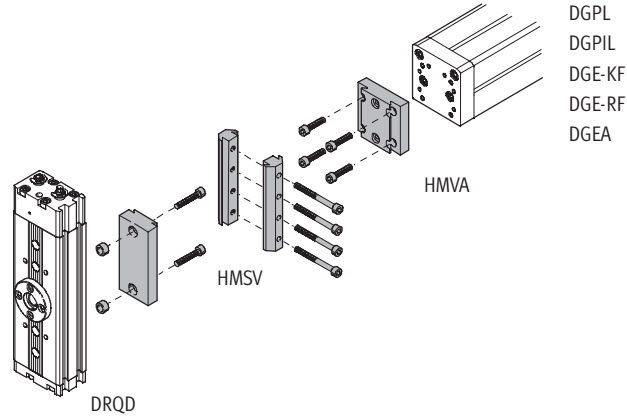
## Adapter kit HMAV, HMSV

Material:

Wrought aluminium alloy, anodised

Centring sleeves: High-alloy steel

Free of copper, PTFE and silicone

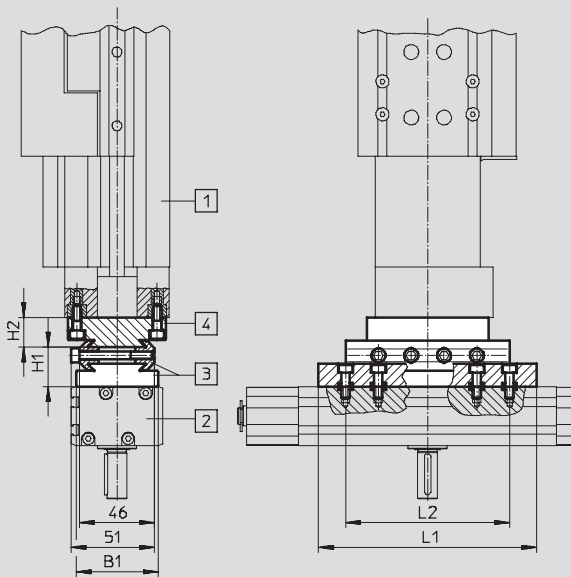


Dovetail mounting

## Dimensions

Download CAD data → [www.festo.com](http://www.festo.com)

Dovetail mounting



- 1 Linear drives  
DGPL/DGPIL/DGE-KF/DGE-RF/  
DGEA
- 2 Semi-rotary drive DRQD
- 3 Adapter kit HMSV
- 4 Adapter kit HMAV



# DG.../DRQD combination

Technical data

Dimensions and ordering data									
Drive	Drive	B1	H1	H2	L1	L2	CRC <sup>1)</sup>	Part No.	Type
Dovetail mounting									
DRQD-B-16/20	DGEA-18	40	22	14	85	80	2	196 788	HMVA-DLA18/25
	DG...-25/32/40							177 656	HMSV-10
DRQD-B-20	DG...-32	40	22	18	85	80		196 789	HMVA-DL32
	DG...-40							177 656	HMSV-10
DRQD-B-25	DGEA-18	50	24	18	110	100		196 790	HMVA-DLA40
	DG...-25							177 660	HMSV-14
	DG...-32							196 789	HMVA-DL32
DRQD-B-25	DG...-40	50	24	18	110	100		177 660	HMSV-14
	DGEA-18							196 788	HMVA-DLA18/25
	DG...-25							177 660	HMSV-14
DRQD-B-32	DG...-32	50	24	18	133	120		196 790	HMVA-DLA40
	DG...-40							177 665	HMSV-19
DRQD-B-32	DG...-40	50	24	18	133	120	196 789	HMVA-DL32	
	DG...-32						177 665	HMSV-19	

1) Corrosion resistance class 2 to Festo standard 940 070  
 Components subject to moderate corrosion stress. Externally visible parts with primarily decorative surface requirements which are in direct contact with a normal industrial environment or media such as coolants or lubricating agents

# DGEA/ERMB combination

Technical data

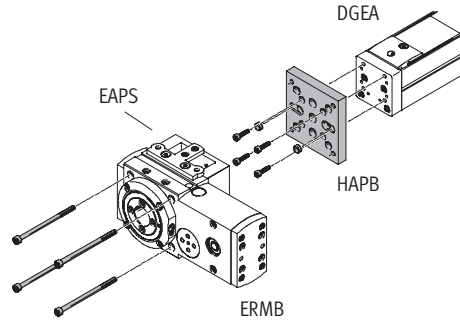
## Adapter kit HAPB

Material:

Wrought aluminium alloy, anodised

Centring sleeves: High-alloy steel

Free of copper, PTFE and silicone

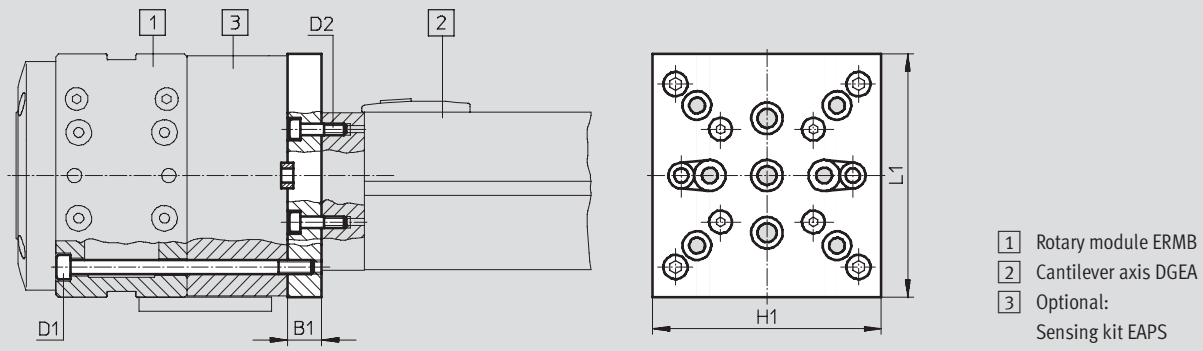


Direct mounting

## Dimensions and ordering data

Download CAD data → [www.festo.com](http://www.festo.com)

Direct mounting



Drive	Drive	Sensing kit	B1	D1	D2	H1	L1	CRC <sup>1)</sup>	Part No.	Type
DGEA-18/25	ERMB-20	EAPS-...-20	17	M4	M4	50	72	2	558 306	HAPB-38
DGEA-25	ERMB-25	EAPS-...-25	12	M5	M4	80	85		558 307	HAPB-39
DGEA-40					M5				558 308	HAPB-40
DGEA-40	ERMB-32	EAPS-...-32	12	M5	M5	100	115			

1) Corrosion resistance class 2 to Festo standard 940 070

Components subject to moderate corrosion stress. Externally visible parts with primarily decorative surface requirements which are in direct contact with a normal industrial environment or media such as coolants or lubricating agents

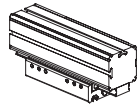
# DG.../DG... combination

Technical data

## Cross connecting kit HMVK

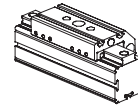
Material:  
Wrought aluminium alloy, anodised  
Centring sleeves: High-alloy steel  
Slot nuts: Tempered steel  
Free of copper, PTFE and silicone

Slide/slide mounting

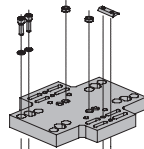


DGPL  
DGPII  
DGE-KF  
DGEA

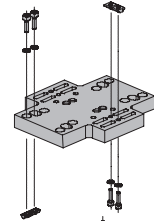
Slide/profile mounting



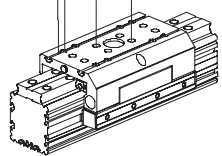
DGPL  
DGPII  
DGE-KF



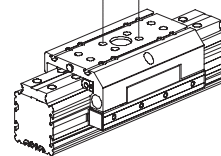
HMVK



HMVK



DGPL  
DGPII  
DGE-KF



DGPL  
DGPII  
DGE-KF

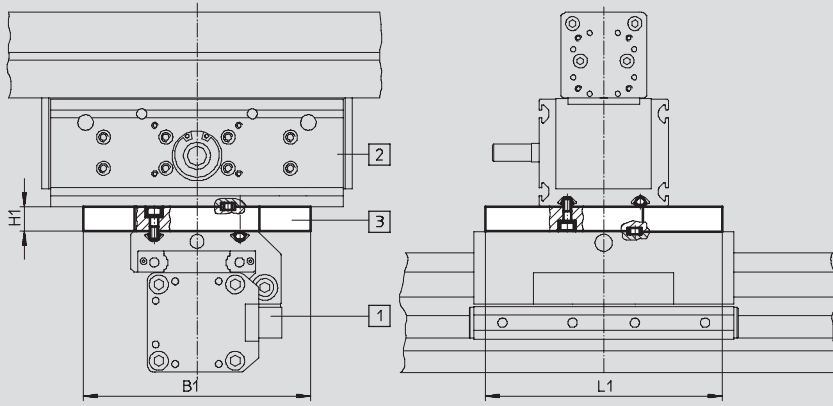
Direct mounting

Direct mounting

## Dimensions and ordering data

Download CAD data → [www.festo.com](http://www.festo.com)

### Direct mounting



- 1 Linear drive DG...
- 2 Linear drive DG...
- 3 Cross connecting kit HMVK

Drive 1	Drive 2	B1	H1	L1	CRC <sup>1)</sup>	Part No.	Type
<b>Direct slide/slide mounting</b>							
DG...-25	DG...-18/25	105	12	105	2	196 779	HMVK-DL25-DL18/25
DG...-32	DG...-25	146	16	152		196 781	HMVK-DL32/40-DLA18-32
DG...-40	DG...-25/32						
DG...-40	DGEA-18/25						
DG...-63	DG...-40	192	23	230		196 783	HMVK-DL63-DLA25/40
DG...-63	DGEA-25/40						
<b>Direct slide/profile mounting</b>							
DG...-18	DG...-18	105	12	105	2	196 780	HMVK-DL18/25-DL-18/25
DG...-25	DG...-25						
DG...-32/40	DG...-25	192	23	230	2	196 782	HMVK-DL32/40-DL25
DG...-40	DG...-32/40	146	16	152	2	196 781	HMVK-DL-32/40-DLA18-32

1) Corrosion resistance class 2 to Festo standard 940 070

Components subject to moderate corrosion stress. Externally visible parts with primarily decorative surface requirements which are in direct contact with a normal industrial environment or media such as coolants or lubricating agents

# DG.../DFM combination

Technical data

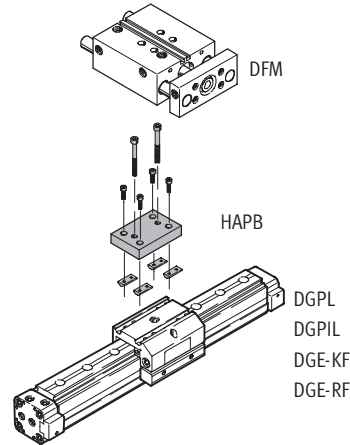
## Adapter kit HAPB

Material:

Wrought aluminium alloy, anodised

Slot nuts: Tempered steel

Free of copper, PTFE and silicone

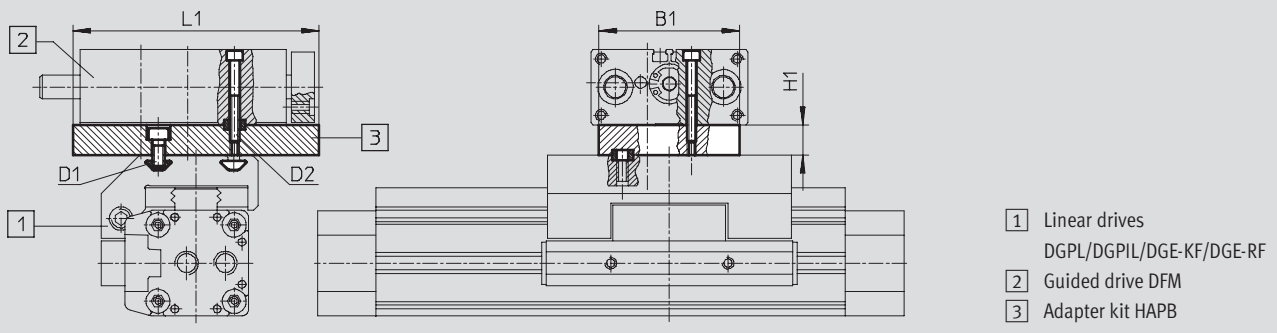


Direct mounting

## Dimensions and ordering data

Download CAD data → [www.festo.com](http://www.festo.com)

Direct mounting



- 1 Linear drives  
DGPL/DGPIL/DGE-KF/DGE-RF
- 2 Guided drive DFM
- 3 Adapter kit HAPB

Drive	Drive	B1	D1	D2	H1	L1	CRC <sup>1)</sup>	Part No.	Type
DG...-25	DFM-12/16	60	M5	M4	13	105	2	192 690	HAPB-12/16
DG...-32	DFM-20/25	83		M5		115		192 691	HAPB-20/25
DG...-40	DFM-32/40	110		M6	15	132		192 692	HAPB-32/40

1) Corrosion resistance class 2 to Festo standard 940 070

Components subject to moderate corrosion stress. Externally visible parts with primarily decorative surface requirements which are in direct contact with a normal industrial environment or media such as coolants or lubricating agents

# DG.../DPZ combination

Technical data

## Adapter kit HAPB, connecting kit HAVB

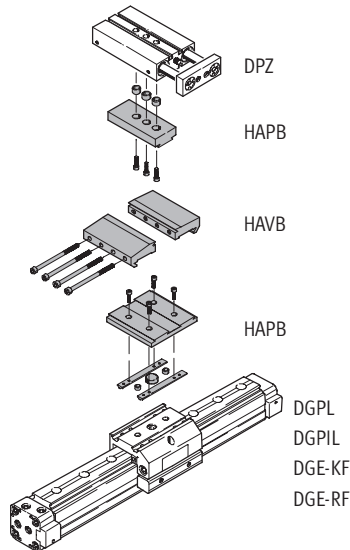
**Material:**

Wrought aluminium alloy, anodised

Centring sleeves: High-alloy steel

Slot nuts: Tempered steel

Free of copper, PTFE and silicone



Dovetail mounting

Ordering data			Download CAD data → <a href="http://www.festo.com">www.festo.com</a>	
Drive	Drive	CRC <sup>1)</sup>	Part No.	Type <sup>2)</sup>
Dovetail mounting				
DG...-25	DPZ-16	2	163 216	HAPB-17
			163 244	HAVB-8
			163 202	HAPB-3
	DPZ-20		163 217	HAPB-18
			163 244	HAVB-8
			163 202	HAPB-3
DG...-32	DPZ-16	2	163 216	HAPB-17
			163 244	HAVB-8
			163 203	HAPB-4
	DPZ-20		163 217	HAPB-18
			163 244	HAVB-8
			163 203	HAPB-4
	DPZ-25		163 218	HAPB-19
			163 244	HAVB-8
			163 203	HAPB-4
DG...-40	DPZ-20	2	163 217	HAPB-18
			163 244	HAVB-8
			163 204	HAPB-5
	DPZ-25		163 218	HAPB-19
			163 244	HAVB-8
			163 204	HAPB-5
	DPZ-32		163 219	HAPB-20
			163 244	HAVB-8
			163 204	HAPB-5

1) Corrosion resistance class 2 to Festo standard 940 070  
 Components subject to moderate corrosion stress. Externally visible parts with primarily decorative surface requirements which are in direct contact with a normal industrial environment or media such as coolants or lubricating agents

2) Dimensions from → 39

# DG.../DSL combination

Technical data

## Adapter kit HAPB, connecting kit HAVB

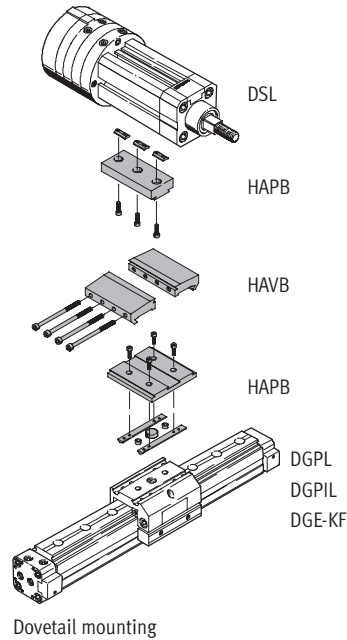
**Material:**

Wrought aluminium alloy, anodised

Centring sleeves: High-alloy steel

Slot nuts: Tempered steel

Free of copper, PTFE and silicone



Ordering data		Download CAD data → <a href="http://www.festo.com">www.festo.com</a>	
Drive	Drive	CRC <sup>1)</sup>	Part No. Type <sup>2)</sup>
Dovetail mounting			
DG...-25	DSL-16/20	2	163 214 HAPB-15
			163 244 HAVB-8
			163 202 HAPB-3
	DSL-25		163 215 HAPB-16
			163 244 HAVB-8
			163 202 HAPB-3
DG...-32	DSL-20		163 214 HAPB-15
			163 244 HAVB-8
			163 203 HAPB-4
	DSL-25/32		163 215 HAPB-16
			163 244 HAVB-8
			163 203 HAPB-4
DG...-40	DSL-25/32		163 215 HAPB-16
			163 244 HAVB-8
			163 204 HAPB-5

1) Corrosion resistance class 2 to Festo standard 940 070

Components subject to moderate corrosion stress. Externally visible parts with primarily decorative surface requirements which are in direct contact with a normal industrial environment or media such as coolants or lubricating agents

2) Dimensions from → 39

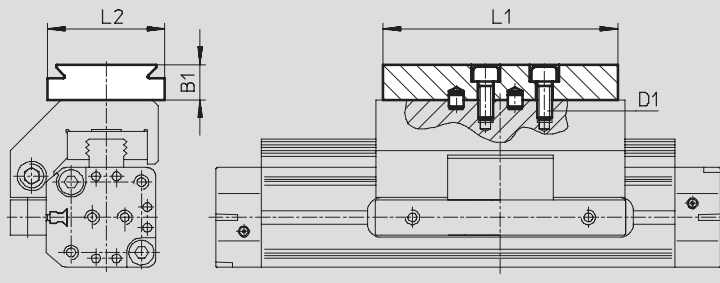
# Drive/drive connectors

Technical data

## Dimensions

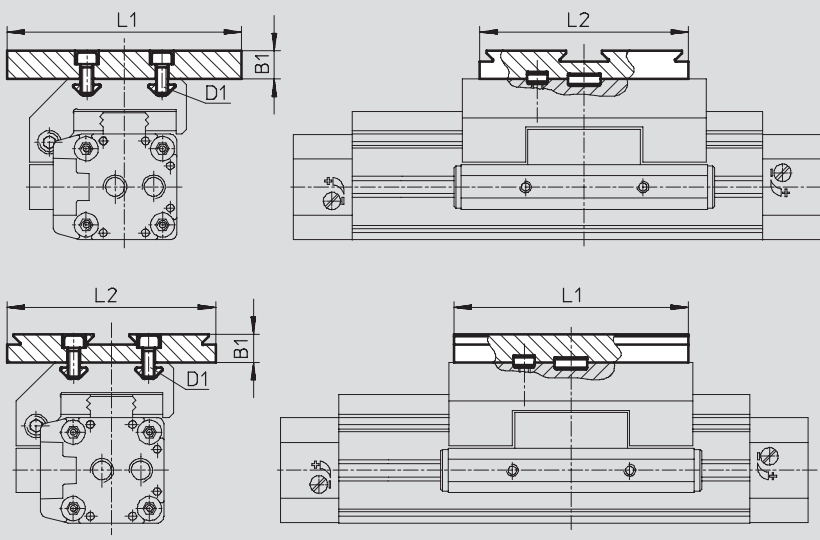
Download CAD data → [www.festo.com](http://www.festo.com)

### Dovetail mounting



Type	B1	D1	L1	L2	CRC <sup>1)</sup>
HAPB-1	12	M4	60	40	2
HAPB-2		M5	80		2

### Dovetail mounting



Type	B1	D1	L1	L2	CRC <sup>1)</sup>
HAPB-3	12	M5	100	89	2
HAPB-4					2
HAPB-5					2

1) Corrosion resistance class 2 to Festo standard 940 070  
 Components subject to moderate corrosion stress. Externally visible parts with primarily decorative surface requirements which are in direct contact with a normal industrial environment or media such as coolants or lubricating agents

# Drive/drive connectors

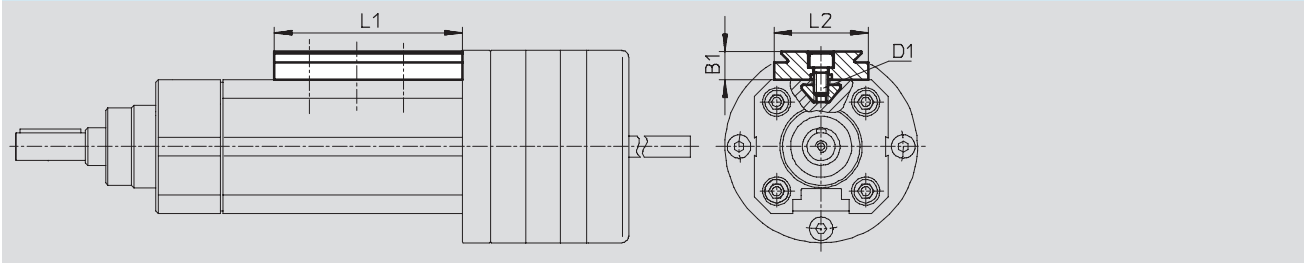
Technical data

FESTO

## Dimensions

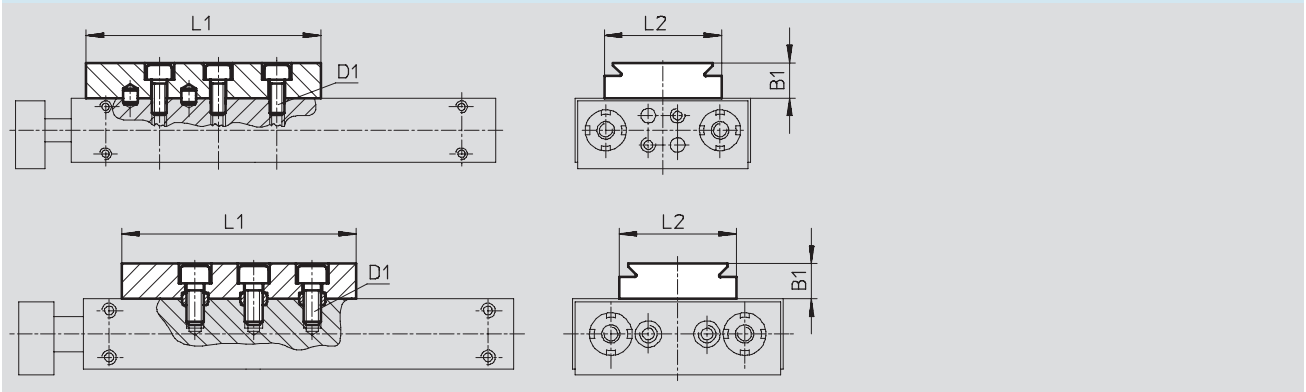
Download CAD data → [www.festo.com](http://www.festo.com)

### Dovetail mounting



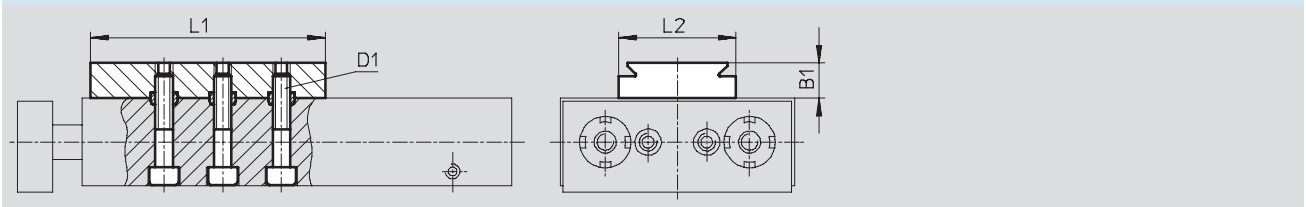
Type	B1	D1	L1	L2	CRC <sup>1)</sup>
HAPB-15	12	M5	80	40	2
HAPB-16		M6			2

### Dovetail mounting



Type	B1	D1	L1	L2	CRC <sup>1)</sup>
HAPB-17	12	M5	80	40	2
HAPB-18		M6			2

### Dovetail mounting



Type	B1	D1	L1	L2	CRC <sup>1)</sup>
HAPB-19	12	M6	80	40	2
HAPB-20					2

1) Corrosion resistance class 2 to Festo standard 940 070

Components subject to moderate corrosion stress. Externally visible parts with primarily decorative surface requirements which are in direct contact with a normal industrial environment or media such as coolants or lubricating agents



# Drive/drive connectors

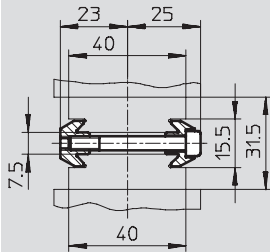
Technical data

## Dimensions

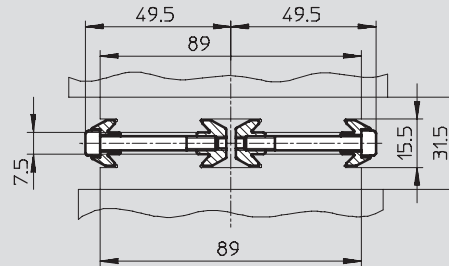
Download CAD data → [www.festo.com](http://www.festo.com)

### Dovetail mounting

Assembly of two adapter kits with one connecting kit



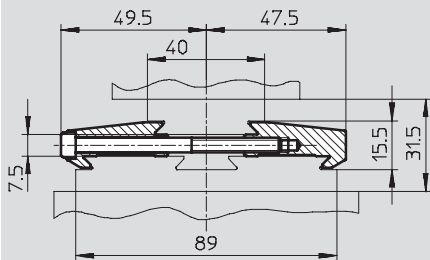
Assembly of two adapter kits with two connecting kits



Type	Length L1 <sup>1)</sup>	CRC <sup>2)</sup>
	[mm]	
HAVB-2	40	2
HAVB-3	60	2
HAVB-4	80	2
HAVB-5	100	2

### Dovetail mounting

Assembly of two adapter kits with one connecting kit



Type	Length L1 <sup>1)</sup>	CRC <sup>2)</sup>
	[mm]	
HAVB-7	60	2
HAVB-8	80	2
HAVB-9	100	2

1) Length of the connecting kit: compare with length L1 of the adapter kits HAPB

2) Corrosion resistance class 2 to Festo standard 940 070

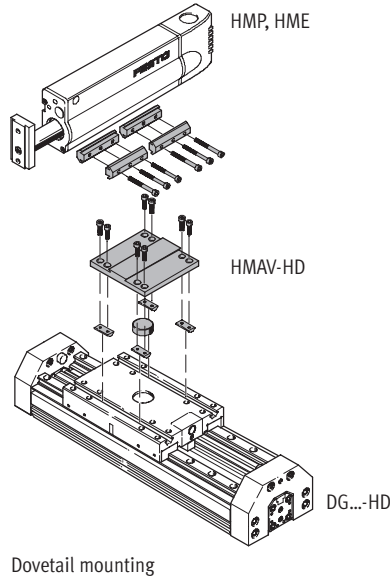
Components subject to moderate corrosion stress. Externally visible parts with primarily decorative surface requirements which are in direct contact with a normal industrial environment or media such as coolants or lubricating agents

# DG...-HD/HMP, HME combination

Technical data

## Adapter kit HMAV-HD

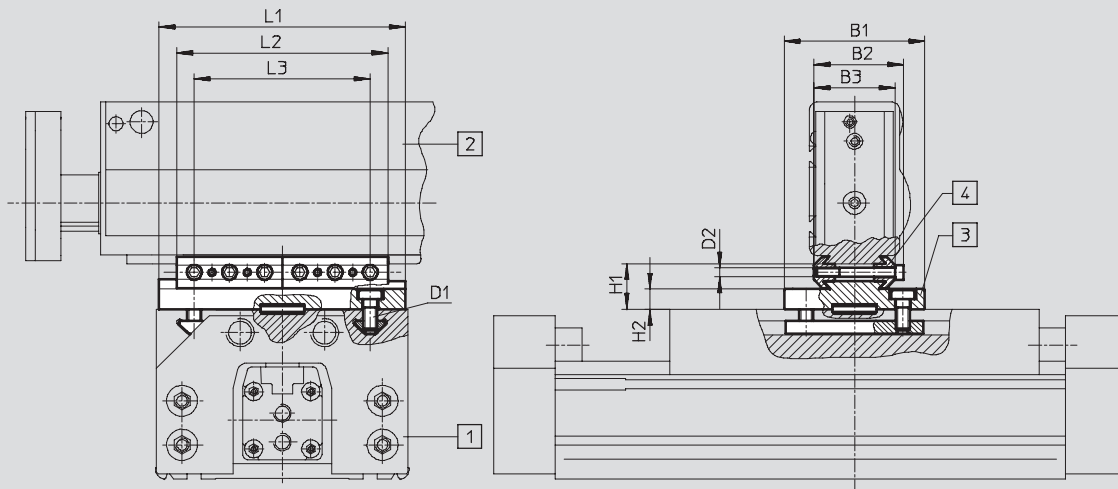
Material:  
 Wrought aluminium alloy, anodised  
 Centring sleeves: High-alloy steel  
 Slot nuts: Tempered steel  
 Free of copper, PTFE and silicone



## Dimensions and ordering data

Download CAD data → [www.festo.com](http://www.festo.com)

Dovetail mounting



- 1 Linear drives DG... with heavy duty guide HD
- 2 Linear module HMP, HME<sup>2)</sup>  
Adapter kit HMAV-HD, comprising:
- 3 Adapter plate
- 4 Dovetail clamp

Drive	Drive	B1	B2	B3	D1	D2	H1	H2	L1	L2	L3	CRC <sup>1)</sup>	Part No.	Type
DG...-HD-18	HMP-16/20/25 HME-16/25 <sup>2)</sup>	90			M5		23	8.5	110		80	2	176 002	HMAV-HD18
DG...-HD-25	HMP-20/25/32 HME-25 <sup>2)</sup>	80	51	46	M8	M5	26	11.5	140	120	100		176 003	HMAV-HD25
DG...-HD-40	HMP-20/25/32 HME-25 <sup>2)</sup>		180	180					140	176 004	HMAV-HD40			

1) Corrosion resistance class 2 to Festo standard 940 070  
 Components subject to moderate corrosion stress. Externally visible parts with primarily decorative surface requirements which are in direct contact with a normal industrial environment or media such as coolants or lubricating agents

2) HME: Horizontal mounting position, vertical on request

# EGSA/DGSL combination

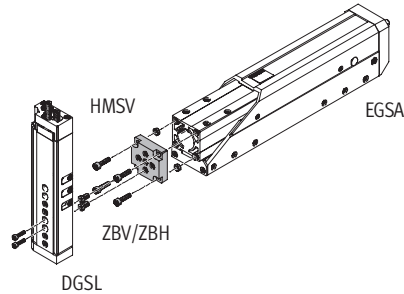
Technical data

## Adapter kit HMSV

Material:

Centring sleeves and connecting sleeves: High-alloy steel

Free of copper, PTFE and silicone

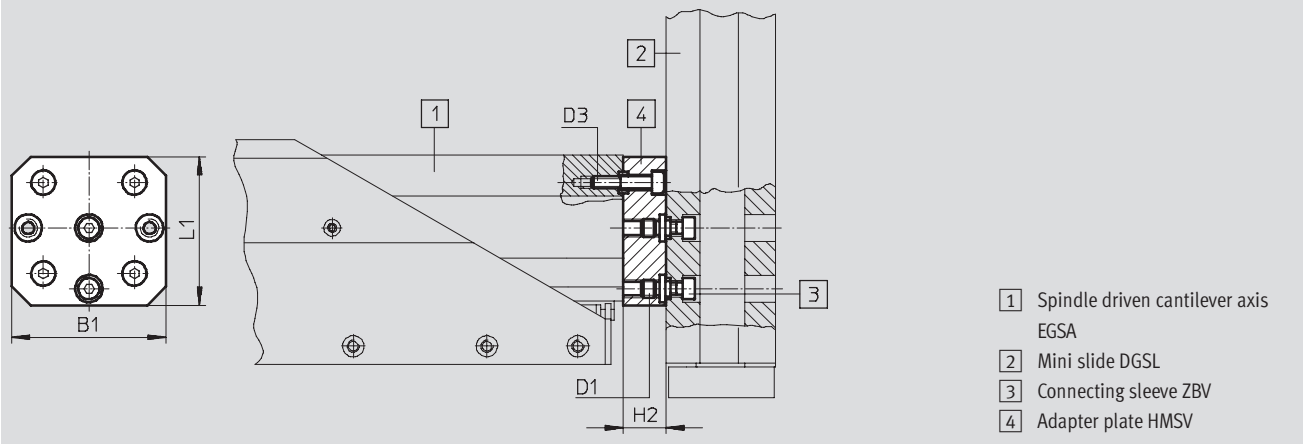


Direct mounting

## Dimensions and ordering data

Download CAD data → [www.festo.com](http://www.festo.com)

Direct mounting



- 1 Spindle driven cantilever axis EGSA
- 2 Mini slide DGSL
- 3 Connecting sleeve ZBV
- 4 Adapter plate HMSV

Drive	Drive	B1	D1	D3	H2	L1	Part No.	Type	Part No.	Type	Required quantity	PU <sup>3)</sup>
EGSA-50	DGSL-8/-10	40	M5	M4	12	38	560 017	HMSV-61	548 803	ZBV-M5-7	1	3
EGSA-50	DGSL-12						560 017	HMSV-61	-	M5x16 <sup>1)</sup>	3	-
EGSA-50	DGSL-16						186 717	ZBH-7 <sup>2)</sup>	3	10		
EGSA-60	DGSL-12/-16	51	M6	M4	14	49	560 017	HMSV-61	-	M5x18 <sup>1)</sup>	3	-
EGSA-60	DGSL-20						186 717	ZBH-7 <sup>2)</sup>	3	10		
EGSA-60	DGSL-12/-16	51	M6	M4	14	49	560 018	HMSV-62	548 804	ZBV-M6-9	1	3
EGSA-60	DGSL-20						560 018	HMSV-62	-	M6x20 <sup>1)</sup>	3	-
									150 927	ZBH-9 <sup>2)</sup>	3	10

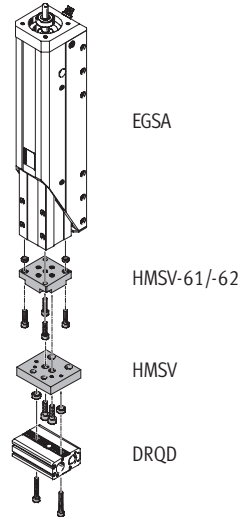
1) The screws listed are not included with the drives  
 2) The centring sleeves are included with the drives  
 3) Packaging unit quantity

# EGSA/DRQD combination

Technical data

## Adapter kit HMSV

Material:  
Wrought aluminium alloy, anodised  
Centring sleeves: High-alloy steel  
Free of copper, PTFE and silicone

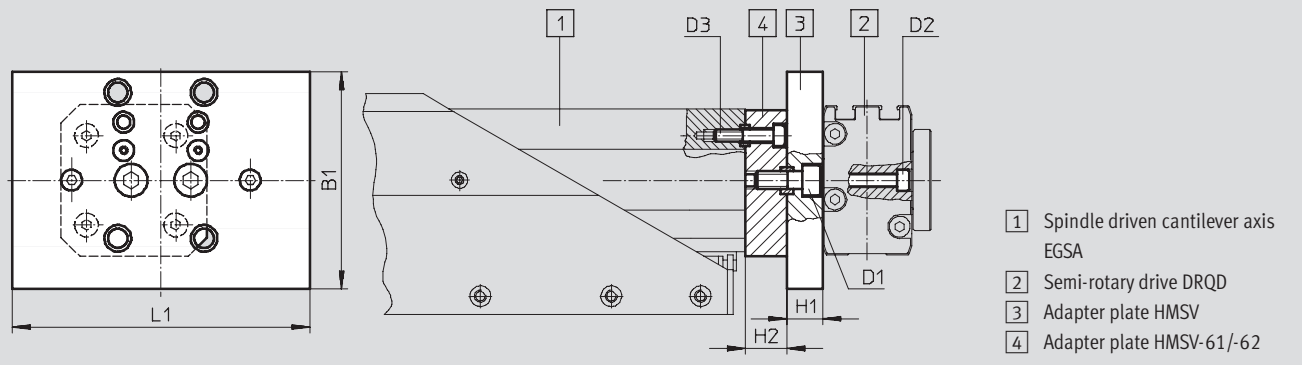


Direct mounting

## Dimensions and ordering data

Download CAD data → [www.festo.com](http://www.festo.com)

Direct mounting



Drive	Drive	B1	D1	D2	D3	H1	H2	L1
EGSA-50	DRQD-8/12	43.5	M5	M4	M4	10	12	50
EGSA-60	DRQD-B-16/20	73	M6	M4	M4	12	14	100

Drive	Drive	CRC <sup>1)</sup>	Part No.	Type	Part No.	Type
EGSA-50	DRQD-8/12	2	560 017	HMSV-61	548 785	HMSV-55
EGSA-60	DRQD-B-16/20		560 018	HMSV-62	548 786	HMSV-56

1) Corrosion resistance class 2 to Festo standard 940 070  
Components subject to moderate corrosion stress. Externally visible parts with primarily decorative surface requirements which are in direct contact with a normal industrial environment or media such as coolants or lubricating agents.

# EGSA/ERMB combination

Technical data

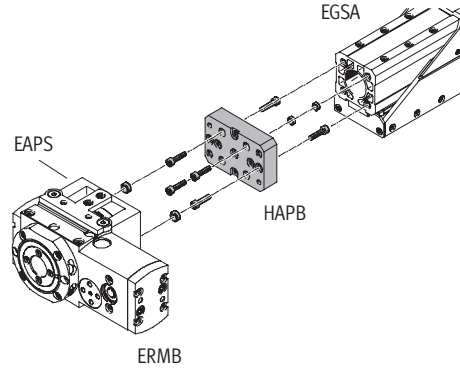
## Adapter kit HAPB

Material:

Wrought aluminium alloy, anodised

Centring sleeves: High-alloy steel

Free of copper, PTFE and silicone

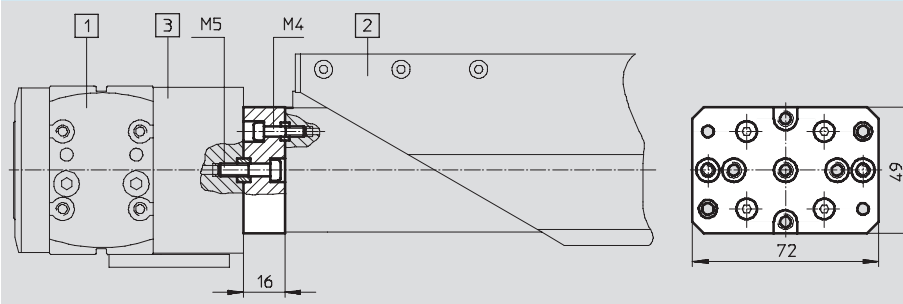


Direct mounting

## Dimensions and ordering data

Download CAD data → [www.festo.com](http://www.festo.com)

Direct mounting



- 1 Rotary module ERMB
- 2 Cantilever axis EGSA
- 3 Optional:  
Sensing kit EAPS

Drive	Drive	Sensing kit	CRC <sup>1)</sup>	Part No.	Type
EGSA-60	ERMB-20	EAPS-20	2	–	M5x20 DIN 912 <sup>2)</sup>
				560 019	HMSV-63

1) Corrosion resistance class 2 to Festo standard 940 070

Components subject to moderate corrosion stress. Externally visible parts with primarily decorative surface requirements which are in direct contact with a normal industrial environment or media such as coolants or lubricating agents

2) Two bolts are required; these are not included in the range of delivery

# EGSA/HMP combination

Technical data

## Adapter kit HMSV

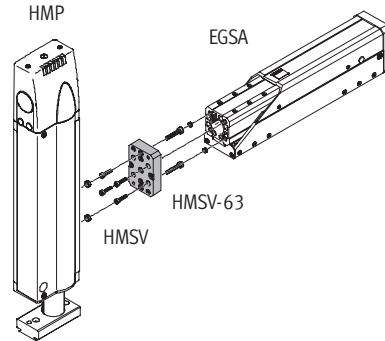
Material:

Wrought aluminium alloy, anodised

Centring sleeves: High-alloy steel

Slot nuts: Tempered steel

Free of copper, PTFE and silicone

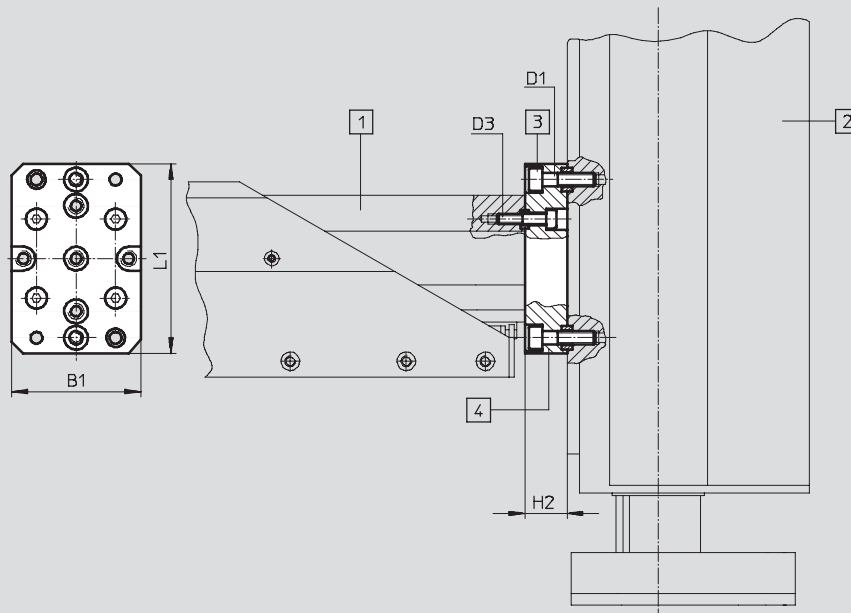


Direct mounting

## Dimensions and ordering data

Download CAD data → [www.festo.com](http://www.festo.com)

Direct mounting



- 1 Spindle driven cantilever axis EGSA
- 2 Linear module HMP
- 3 HMSV-2
- 4 HMSV-63

Drive	Drive	B1	D1	D3	H2	L1	CRC <sup>1)</sup>	Part No.	Type	Part No.	Type
EGSA-60	HMP-16	49	M5	M4	16	72	2	560 019	HMSV-63	177 648	HMSV-2

1) Corrosion resistance class 2 to Festo standard 940 070

Components subject to moderate corrosion stress. Externally visible parts with primarily decorative surface requirements which are in direct contact with a normal industrial environment or media such as coolants or lubricating agents.

# EGSA/HMPL combination

Technical data

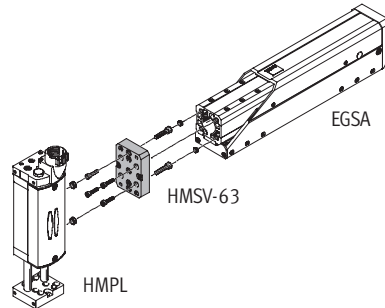
## Adapter kit HMSV

Material:

Wrought aluminium alloy, anodised

Centring sleeves: High-alloy steel

Free of copper, PTFE and silicone

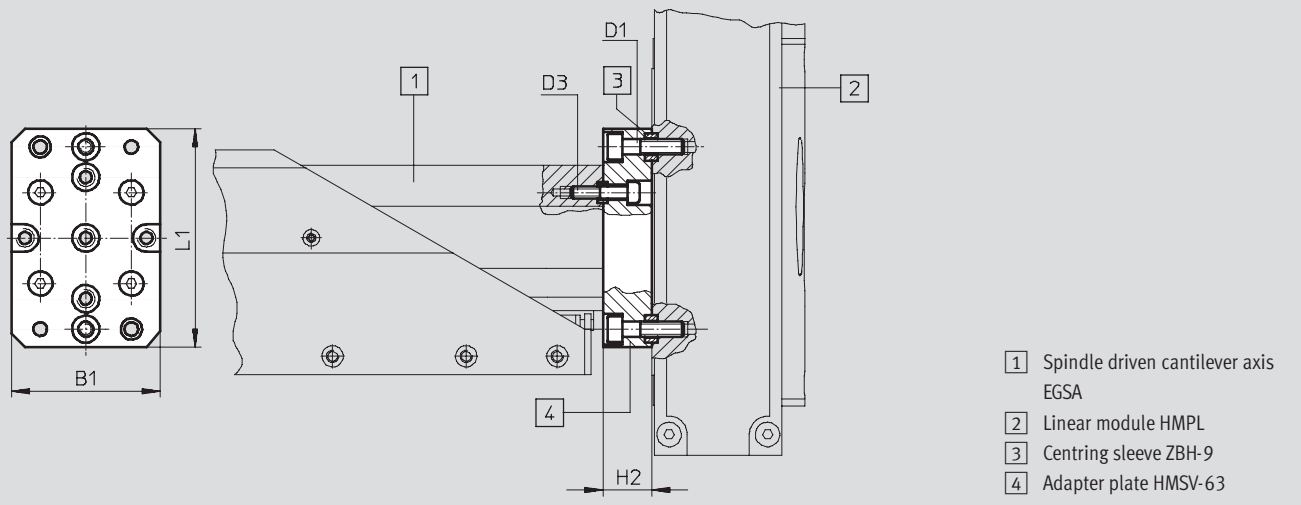


Direct mounting

## Dimensions and ordering data

Download CAD data → [www.festo.com](http://www.festo.com)

Direct mounting



Drive	Drive	B1	D1	D3	H2	L1
EGSA-60	HMPL-12/16/20	49	M5	M4	16	72

Drive	Drive	CRC <sup>1)</sup>	Part No.	Type	Part No.	Type	Required quantity	PU <sup>3)</sup>
EGSA-60	HMPL-12/16/20	2	560 019	HMSV-63	-	M5x18 DIN 912 <sup>2)</sup>	2	-
					150 927	ZBH-9	2	10

1) Corrosion resistance class 2 to Festo standard 940 070

Components subject to moderate corrosion stress. Externally visible parts with primarily decorative surface requirements which are in direct contact with a normal industrial environment or media such as coolants or lubricating agents.

2) The screws listed are not included with the drives

3) Packaging unit quantity

# DPZ, SPZ/DPZ, SPZ combination

Technical data

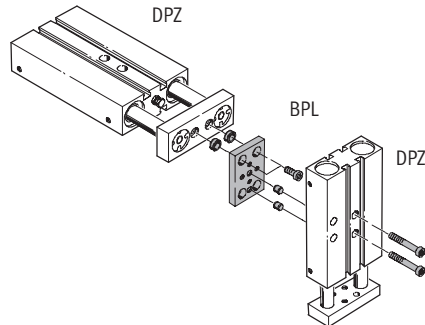
## Adapter plate BPL

Material:

Wrought aluminium alloy, anodised

Centring sleeves: High-alloy steel

Free of copper, PTFE and silicone



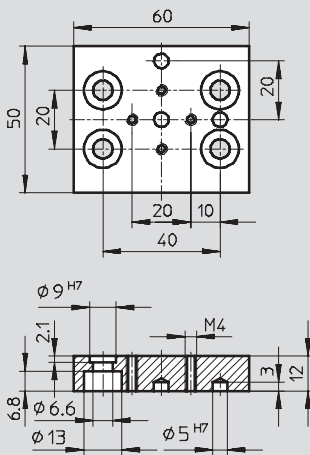
Direct mounting

## Dimensions and ordering data

Download CAD data → [www.festo.com](http://www.festo.com)

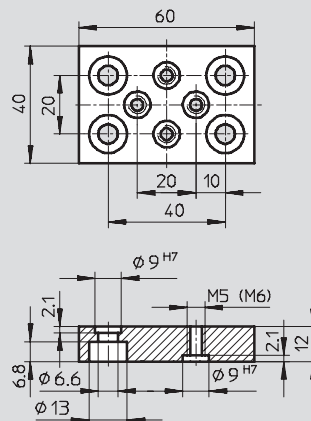
Direct mounting

BPL-1



BPL-2

BPL-3 (dimensions in brackets)



Drive	Drive	CRC <sup>1)</sup>	Part No.	Type
DPZ/SPZ-20/25/32	DPZ/SPZ-10/16	2	150 929	BPL-1
DPZ/SPZ-20/25/32	DPZ/SPZ-20		150 930	BPL-2
DPZ/SPZ-25/32	DPZ/SPZ-25		150 931	BPL-3
DPZ/SPZ-32	DPZ/SPZ-32			

1) Corrosion resistance class 2 to Festo standard 940 070

Components subject to moderate corrosion stress. Externally visible parts with primarily decorative surface requirements which are in direct contact with a normal industrial environment or media such as coolants or lubricating agents