



- Air gun with lever operation
- Sturdy aluminium design
- Interchangeable nozzles

# Air guns LBP

Technical data



- Sturdy aluminium design
- Interchangeable nozzles

Operating pressure  
0 ... 10 bar



General technical data	
Exhaust function	Non-metered blowing
Pneumatic connection	Female thread G1/4
Operating pressure [bar]	0 ... 10
Standard nominal flow rate [l/min]	120 at 6 bar
Noise level [dB (A)]	90 at 6 bar
Material	Aluminium
Ambient temperature [°C]	-10 ... +50
Weights [g]	240

## 6.3

### Dimensions

**Note**  
This air gun has no pressure regulating valve.

**Note**  
Compressed air guns must not be pointed at people.


**1** Sealing surface

Ordering data		
Pneumatic connection	Part No.	Type
G1/4	<b>35 528</b>	<b>LBP-1/4</b>

# Low consumption air guns LSP

Technical data

- Fine, infinitely variable, lever operated flow metering
- Interchangeable nozzles



 Operating pressure  
0 ... 10 bar



General technical data	
Exhaust function	Metered blowing
Pneumatic connection	Female thread G $\frac{1}{4}$
Operating pressure [bar]	0 ... 10
Standard nominal flow rate [l/min]	120 at 6 bar
Noise level [dB (A)]	90 at 6 bar
Material	Polyamide
Ambient temperature [°C]	-10 ... +50
Weights [g]	125

### Dimensions

**Notes:**

-  - Note  
This air gun has no pressure regulating valve.
-  - Note  
Compressed air guns must not be pointed at people.

**1** Sealing surface

Ordering data		
Pneumatic connection	Part No.	Type
G $\frac{1}{4}$	184 318	LSP- $\frac{1}{4}$ -C

# Air guns

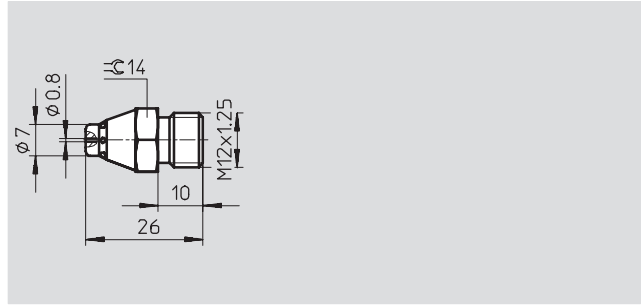
Accessories



## Air gun nozzle LPZ-SD with safety shield

- Accurate, high power air jet with protective air shield for chips and dust
- Low noise level

Material:  
Aluminium

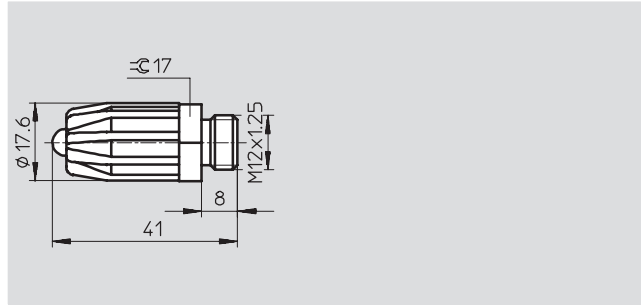


Ordering data		
	Part No.	Type
Air gun nozzle with protective air shield	184 321	LPZ-SD

## Air gun nozzle LPZ-LD with noise reduction

- Powerful, focused air jet
- For blowing out, drying and cooling large surfaces
- Low noise level

Material:  
Chrome plated die-cast zinc/  
aluminium

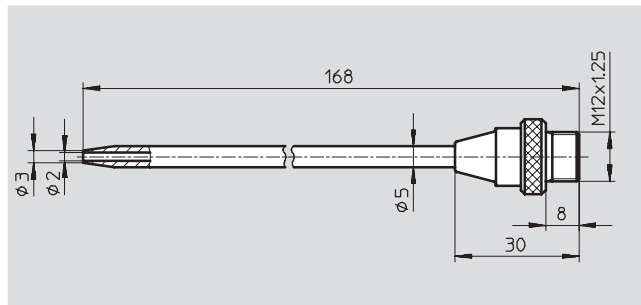


Ordering data		
	Part No.	Type
Air gun nozzle with noise reduction	184 322	LPZ-LD

## Air gun nozzle LPZ-RG-150 with straight tube

- Accurate, high power air jet for difficult to access locations
- 150 mm long
- Nozzle  $\varnothing 2$  mm

Material:  
Brass



Ordering data		
	Part No.	Type
Air gun nozzle with straight tube	184 320	LPZ-RG-150

# Air guns

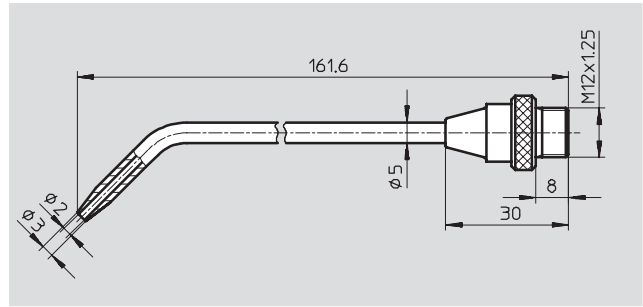
Accessories



## Air gun nozzle LPZ-RB-150 with elbow tube

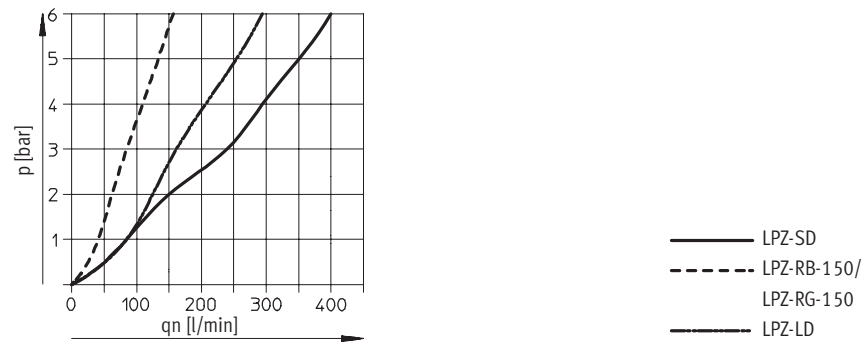
- Accurate, high power air jet for difficult to access locations
- 150 mm long
- Nozzle  $\varnothing$  2 mm
- 360° rotatable

Material:  
Brass



Ordering data		Part No.	Type
Air gun nozzle with elbow tube		184 319	LPZ-RB-150

**Nominal flow rate  $q_n$  with fully actuated lever as a function of the output pressure  $p$**   
measured using low consumption air gun LSP-1/4-C



Other pneumatic equipment and accessories  
Air guns

## 6.3