

# Operator unit CDSV

**FESTO**



## Characteristics

### At a glance

The operating panel CDSV is used to operate and display the measured values of the mass flow controller VEFC. It clearly displays the digitalised mass flow rate on a blue, inverse LCD display, which ensures good legibility even in different lighting conditions. Operating the device and parameterising the mass flow controller VEFC is simple and intuitive using three separate setting buttons, which can be used to make the required settings directly on the device.

## Type code

001	Series
CDSV	Operator unit CDSV

003	Device version
A	Standard version

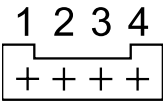
002	Allocation
P20	Version P20

## Datasheet

## General technical data

Operator controls	3 keys
Display type	Illuminated LCD
Ready status indication	Through backlighting
Status indication	Blue LED = normal status Red LED = malfunction
Product weight	21 g

## Electrical data



Plug CDSV, pin allocation:

- Pin 1: Operating voltage: +24 V DC
- Pin 2: Communication
- Pin 3: unassigned, no connection
- Pin 4: 0 V DC

Operational voltage range DC	15 ... 30 V
Nominal operating voltage DC	24 V
Current consumption at nominal operating voltage	Electronics: <= 100 mA
Electrical power consumption	0.5 W
Max. current consumption	20 mA
Max. cable length	3 m

## Operating and environmental conditions

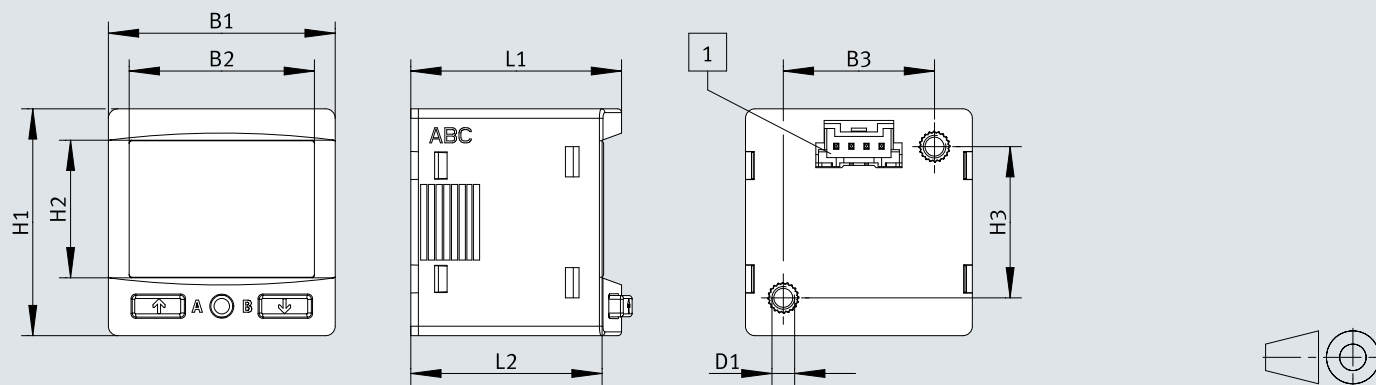
Ambient temperature	0 ... 50°C
Storage temperature	-20 ... 80°C
Relative air humidity	0 - 85%
Nominal altitude of use	<= 2000 m NHN
Cleanroom class	Class 4 according to ISO 14644-1
Reverse polarity protection	For all electrical connections
Overload protection	Available
Suitability for the production of Li-ion batteries	Suitable for battery production with reduced Cu/Zn/Ni values (F1a)
Degree of protection	IP40
Protection class	III
KC mark	KC-EMV

## Materials

Material housing	PA-reinforced
Note on materials	RoHS-compliant
LABS (PWIS) conformity	VDMA24364-B1/B2-L

## Dimensions


## Dimensions – Operator unit CDSV

Download CAD data [www.festo.com](http://www.festo.com)

[1] Plug L1]

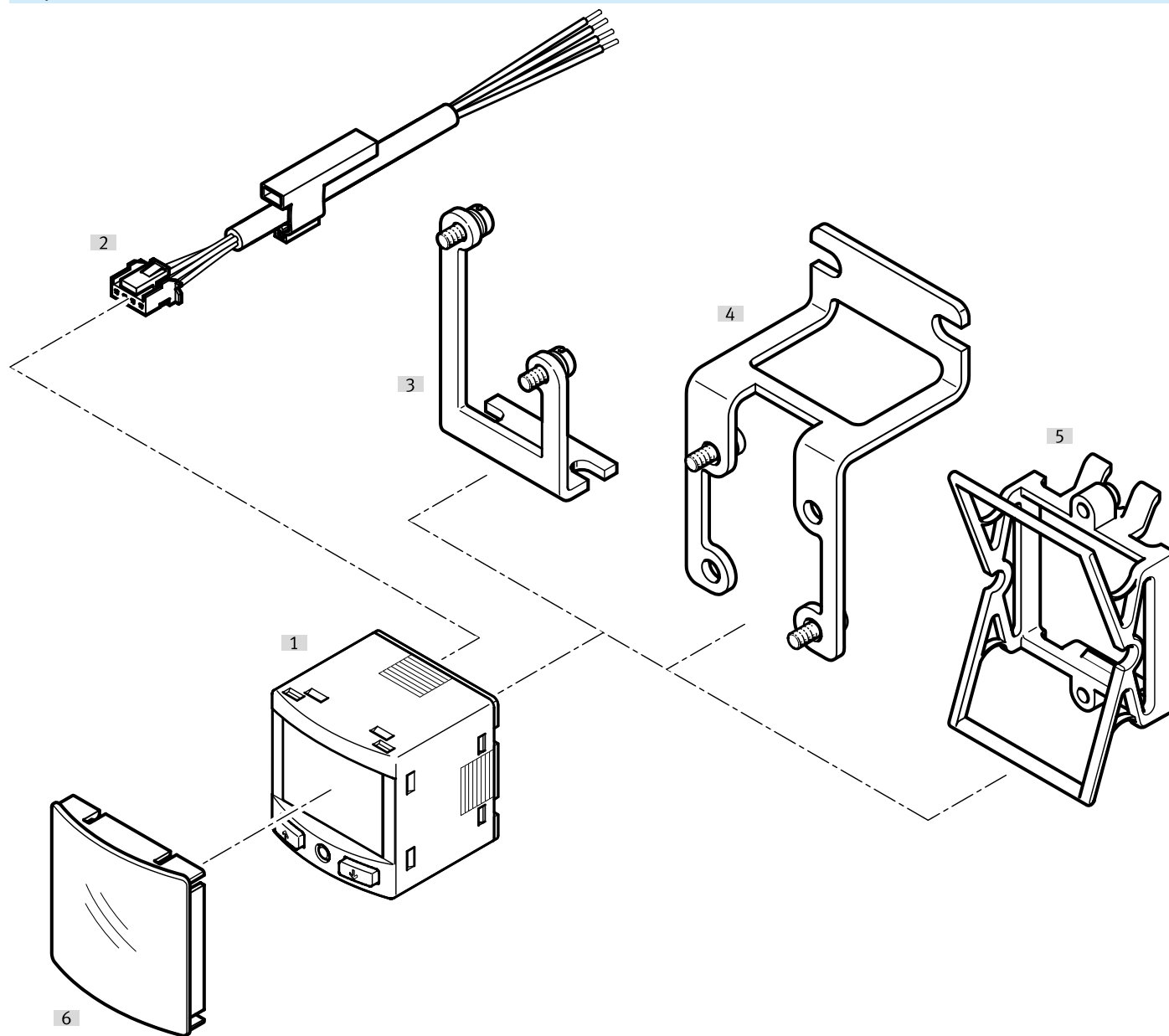
	B1	B2	B3	D1	H1	H2	H3	L1	L2
CDSV-P20-A	30	24,5	20	M3	30	18,2	20	~27,9	~25,3

## Ordering data

Operator unit CDSV				
	Material housing	Note on materials	Part no.	Type
	PA-reinforced	RoHS-compliant	<b>8217573</b>	<b>CDSV-P20-A</b>

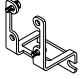

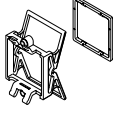


## Peripherals

## Peripherals overview



Accessories			→ Link
Type/order code	Description		
[1] Operator unit CDSV	CDSV-P20-A		<a href="#">cdsv</a>
[2] Connecting cable	NEBS-L1G4-K...-LE4		8
[3] Wall mounting	SAMH-PN-W		8
[4] Mounting bracket	SAMH-PU-A		8
[5] Panel mounting kit	SAMH-PN-F		8
[6] Protective hood	SACC-PN-G		8

## Accessories

Wall mounting						
	Information on materials		Note on materials	Part no.	Type	
	High-alloy stainless steel		RoHS-compliant	8035563	SAMH-PN-W	
Mounting bracket						
	Information on materials		Note on materials	Part no.	Type	
	High-alloy stainless steel		RoHS-compliant	8003354	SAMH-PU-A	
Panel mounting kit						
	Information on materials		Note on materials	Part no.	Type	
	PA, POM		RoHS-compliant	8035561	SAMH-PN-F	
Protective hood						
	Information on materials	Colour	Note on materials	Part no.	Type	
	PA	Transparent	RoHS-compliant	8035560	SACC-PN-G	
Connecting cable						
	Material cable sheath	Material housing	Note on materials	Cable length	Part no.	Type
	PVC	PA	RoHS-compliant	2.5 m	572576	NEBS-L1G4-K-2.5-LE4
				5 m	572577	NEBS-L1G4-K-5-LE4