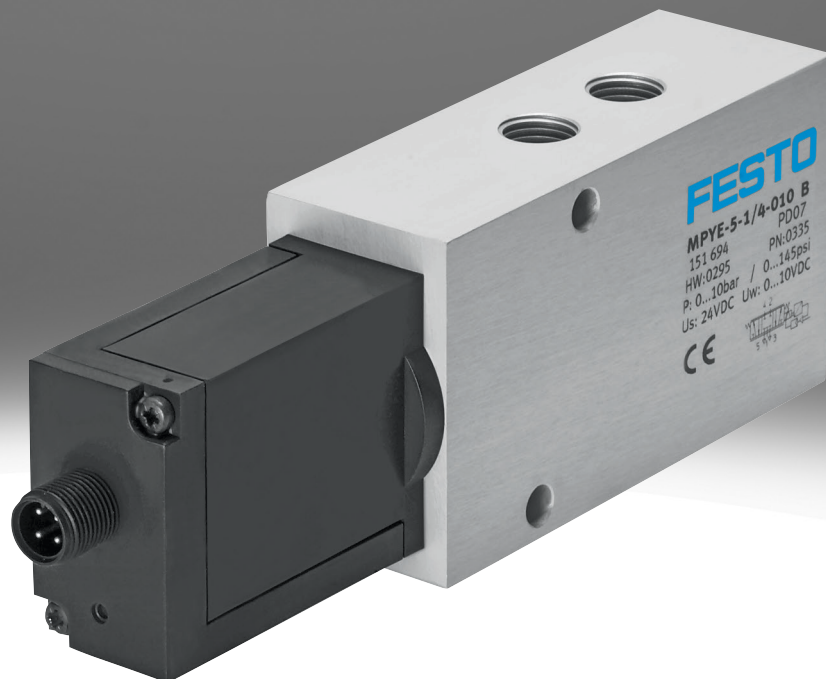


Proportional directional control valve MPYE

FESTO



Characteristics

At a glance

General information:

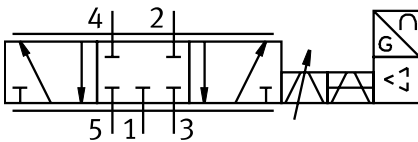
- The directly actuated proportional directional control valve has a position-controlled spool. This converts an analogue input signal into a corresponding opening cross-section at the valve outputs.
- In combination with an external position controller and displacement encoder, this can be used to create a precise pneumatic positioning system.
- Flow control function for varying the cylinder speed
- 5/3-way function to vary the direction of movement

Wide range of variants

- Setpoint input: analogue voltage signal; analogue current signal
- Flow rates from 100 ... 2000 l/min

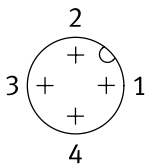
Valve function

[P53C] 5/3-way valve, mid-position closed



Series

[MPYE] Proportional directional control valve



Pin 1: 24 V DC, supply voltage

Pin 2: GND

Pin 3: Setpoint value input

Pin 4: GND

Type code

001	Series
MPYE	Proportional directional control valve
002	Valve function
5	5/3-way valve
003	Pneumatic connection
M5	M5
1/8	G1/8
1/4	G1/4
3/8	G3/8

004	Flow rate
	Standard
HF	High flow rate
LF	Low flow rate
005	Setpoint input for individual valves
010	0 ... 10 V
420	4 ... 20 mA
006	Generation
B	Series B

Datasheet

General technical data

Pneumatic connection, port 1	M5	G1/8			G1/4	G3/8
Standard nominal flow rate (standardised to DIN 1343)	100 l/min	350 l/min	700 l/min	1,400 l/min	2,000 l/min	
Valve function	5/3 closed					
Design	Piston gate valve					
Sealing principle	Hard					
Type of actuation	Electric					
Type of reset	Magnetic spring					
Type of piloting	Direct					
Flow direction	Non-reversible					
Type of mounting	With through-hole					
Mounting position ¹⁾	optional					
Nominal size	2 mm	4 mm	6 mm	8 mm	10 mm	
Product weight	255 g	285 g		510 g	685 g	

1) If the proportional directional control valve moves during operation, it must be mounted transverse to the direction of movement.

Electrical data

Pneumatic connection, port 1	M5		G1/8		G1/4		G3/8	
SETPOINT/ACTUAL values	Voltage type 0 - 10 V	Current type 4-20 mA	Voltage type 0 - 10 V	Current type 4-20 mA	Voltage type 0 - 10 V	Current type 4-20 mA	Voltage type 0 - 10 V	Current type 4-20 mA
Operational voltage range DC	17 ... 30 V							
Switching time	-							
Max. hysteresis ¹⁾	0.4%							
Duty cycle ²⁾	-							
Residual ripple	5%							
Limit frequency ³⁾	115 Hz		95 Hz		80 Hz		70 Hz	
Reverse polarity protection	For all electrical connections	For setpoint value	For all electrical connections	For setpoint value	For all electrical connections	For setpoint value	For all electrical connections	For setpoint value
Degree of protection	IP65							
Electrical connection	4-pin, M12x1, Plugs, Round design							

1) Related to the maximum stroke of the piston spool valve.

2) The proportional directional control valve switches off automatically (moves into the mid-position) if it overheats and switches on again once it has cooled down.

3) Corresponds to the 3 dB echo frequency at maximum movement stroke of the piston spool valve.

Operating and ambient conditions

Operating pressure	0 ... 1 MPa
Operating pressure	0 ... 10 bar
Operating medium	Compressed air to ISO 8573-1:2010 [6:4:4]
Note on operating and pilot medium	Lubricated operation not possible
Ambient temperature	0 ... 50°C
Media temperature	5 ... 40°C
Approval	RCM trademark
Shock resistance ¹⁾	-
Vibration resistance ²⁾	-
CE mark (see declaration of conformity) ³⁾	To EU EMC Directive In accordance with EU RoHS Directive
UKCA marking (see declaration of conformity) ⁴⁾	To UK instructions for EMC To UK RoHS instructions
KC mark	KC-EMV
Corrosion resistance class CRC ⁵⁾	2 - Moderate corrosion stress
Note on materials	RoHS-compliant
LABS (PWS) conformity	VDMA24364-B2-L

1) If the proportional directional control valve moves during operation, it must be mounted transverse to the direction of movement.

2) If the proportional directional control valve moves during operation, it must be mounted transverse to the direction of movement.

3) For information about the area of use, see the EC declaration of conformity at: [www.festo.com/catalogue/... d/Support/Downloads](http://www.festo.com/catalogue/...d/Support/Downloads).

If the devices are subject to usage restrictions in residential, commercial or light-industrial environments, further measures for the reduction of the emitted interference may be necessary.

4) For information about the area of use, see the EC declaration of conformity at: [www.festo.com/catalogue/... d/Support/Downloads](http://www.festo.com/catalogue/...d/Support/Downloads).

If the devices are subject to usage restrictions in residential, commercial or light-industrial environments, further measures for the reduction of the emitted interference may be necessary.

5) More information www.festo.com/x/topic/crc

Datasheet

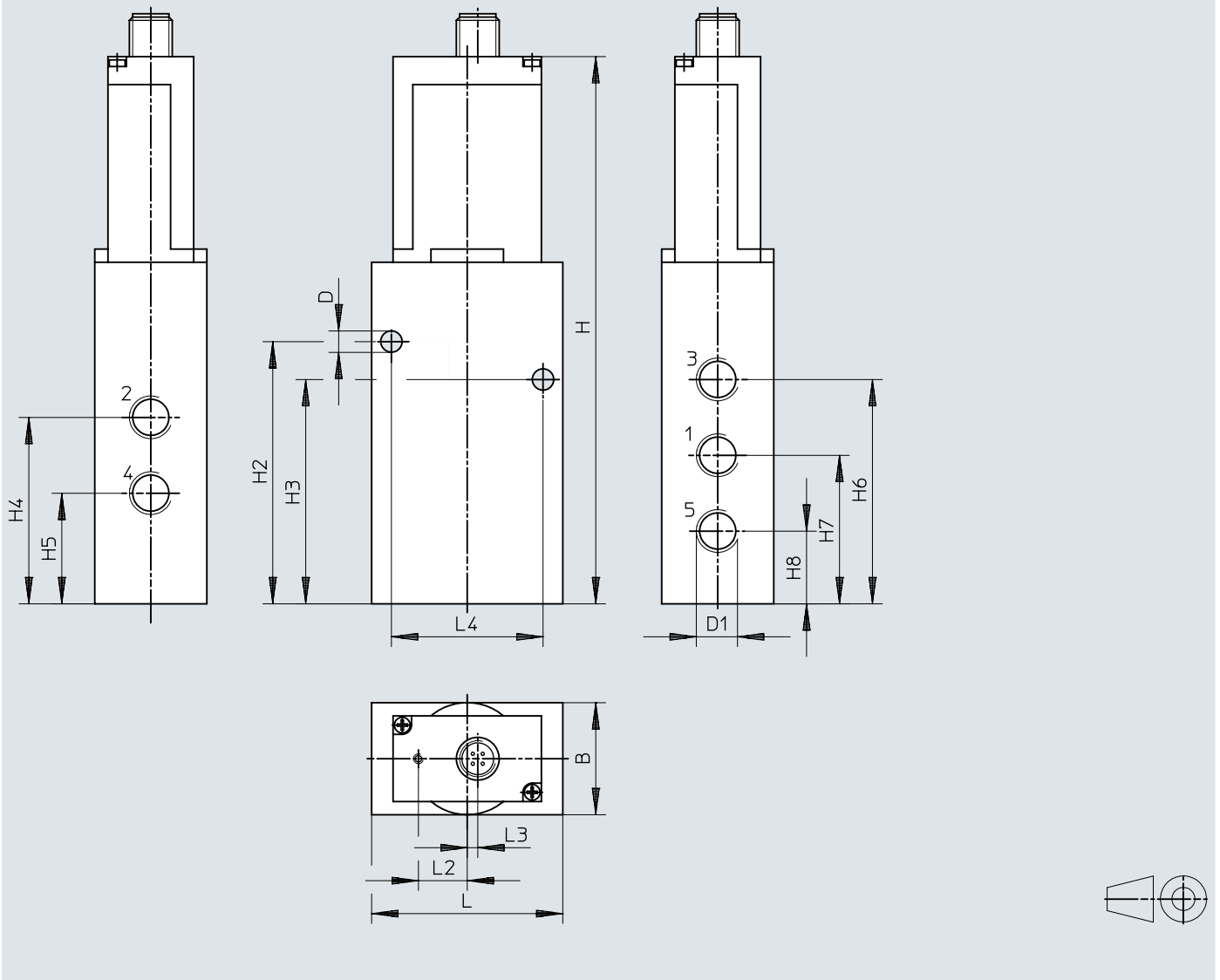
Materials

Material housing	Aluminium, Anodised
Material seals	NBR
Material cover	ABS, Coated

Dimensions


Dimensions – Proportional directional control valve MPYE

Download CAD data www.festo.com



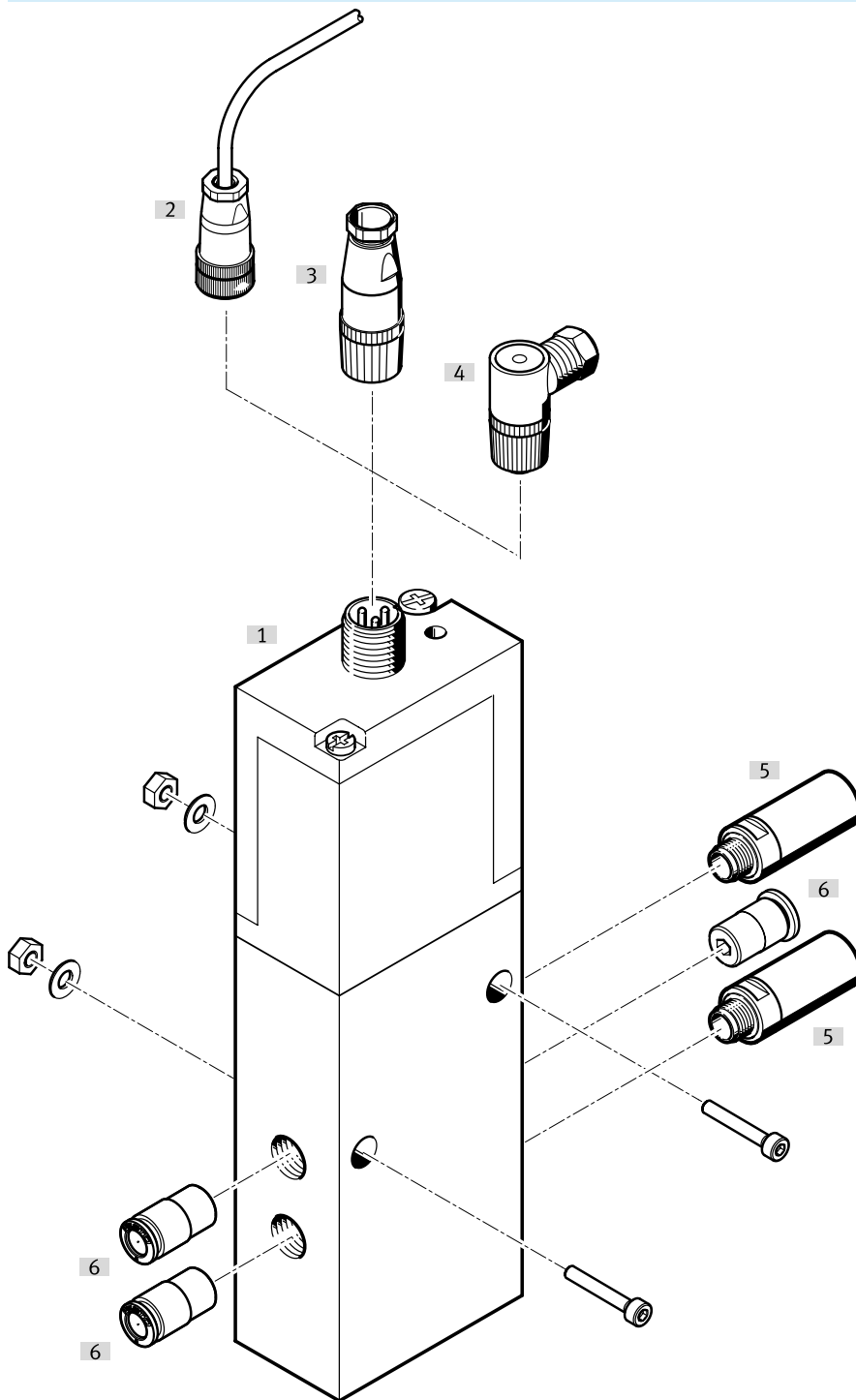
	D1	B	D ∅	H	H2	H3	H4	H5	H6	H7	H8	L	L2	L3	L4
MPYE-5-M5-...-B	M5	26	5,5	130	57	39	32,3	20,3	38,3	26,3	14,3	45	14,8	3,2	32
MPYE-5-1/8-...-B	G1/8	26	5,5	149,3	71,3	55,3	45,8	26,8	55,3	36,3	17,3	45	14,8	3,2	35
MPYE-5-1/4-...-B	G1/4	35	6,5	162,5	77,5	66	54,5	31,5	66	43	20	58	14,8	3,2	46
MPYE-5-3/8-...-B	G3/8	40	6,5	174,5	96,3	77,3	63,3	35,3	80,3	49,3	18,3	67	14,8	3,2	54

Ordering data

Proportional directional control valves MPYE					
	SETPOINT/ACTUAL values	Pneumatic connection, port 1	Standard nominal flow rate (standardised to DIN 1343)	Part no.	Type
	Voltage type 0 - 10 V	M5	100 l/min	154200	MPYE-5-M5-010-B
		G1/8	350 l/min	151692	MPYE-5-1/8-LF-010-B
			700 l/min	151693	MPYE-5-1/8-HF-010-B
			G1/4	1,400 l/min	151694
	Current type 4-20 mA	G3/8	2,000 l/min	151695	MPYE-5-3/8-010-B
		M5	100 l/min	162959	MPYE-5-M5-420-B
			G1/8	350 l/min	161978
		G1/8	700 l/min	161979	MPYE-5-1/8-HF-420-B
			G1/4	1,400 l/min	161980
		G3/8	2,000 l/min	161981	MPYE-5-3/8-420-B


Peripherals

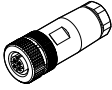
Peripherals overview




Accessories			→ Link
Type/order code	Description		
[1] Proportional directional control valve MPYE	–		–
[2] Connecting cable	–		9
[3] Sensor socket, straight	Straight, 4-pin, M12x1		9
[4] Sensor socket, angled	Angled, 4-pin, M12x1		9
[5] Silencer	For mounting in exhaust ports		u
[6] Push-in fitting	For connecting tubing with standard O.D.		npqh

Accessories

Connecting cable								
	Electrical connection 1, connection type	Electrical connection 1, cable outlet	Electrical connection 1, connector system	Electrical connection 1, number of connections/cores	Electrical connection 2, connector system	Cable length	Part no.	Type
	Socket	Straight	M12x1, A-coded to EN 61076-2-101	4	Open end	5 m	151909	KMPYE-5

Sensor socket, straight			
	Electrical connection 1, connector system	Part no.	Type
	M12x1, A-coded to EN 61076-2-101	★ 8162290	NECB-M12G4-C2

Sensor socket, angled			
	Electrical connection 1, connector system	Part no.	Type
	M12x1, A-coded to EN 61076-2-101	★ 8162292	NECB-M12W4-C2