

Push-in fitting NPQH

FESTO



Characteristics

At a glance

- Solid-metal brass, chemically nickel-plated
- High corrosion and chemical resistance
- High resistance to temperatures and pressure

Additional documents

[Link](#) [npqh](#)



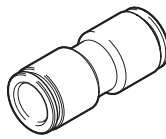
The additional document NPQE-NPQH-NPQM-NPQP-NPQR-ADD contains further information on tubing/fitting combinations and tubing assembly/dismounting.

Design

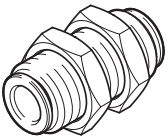
[B] Plug screw



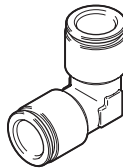
[D] Straight



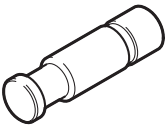
[H] Bulkhead



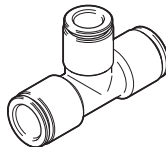
[L] L-shape



[P] Blanking plug



[T] T-shape



[Y] Y-shape



Type code

| 001 | Series |
|------|-----------------|
| NPQH | Push-in fitting |

| 002 | Design |
|-----|---------------|
| B | Plug screw |
| D | Straight |
| H | Bulkhead |
| L | L-shape |
| P | Blanking plug |
| T | T-shape |
| Y | Y-shape |

| 003 | Mounting method |
|-----|-----------------|
| | Standard |
| K | Internal hex |

| 004 | Pneumatic connection 1 |
|-----|-------------------------|
| G12 | G1/2 |
| G14 | G1/4 |
| G18 | G1/8 |
| G38 | G3/8 |
| M5 | M5 |
| M7 | M7 |
| Q4 | Push-in connector 4 mm |
| Q6 | Push-in connector 6 mm |
| Q8 | Push-in connector 8 mm |
| Q10 | Push-in connector 10 mm |
| Q12 | Push-in connector 12 mm |
| Q14 | Push-in connector 14 mm |
| S4 | Push-in sleeve 4 mm |
| S6 | Push-in sleeve 6 mm |
| S8 | Push-in sleeve 8 mm |
| S10 | Push-in sleeve 10 mm |
| S12 | Push-in sleeve 12 mm |
| S14 | Push-in sleeve 14 mm |

| 005 | Connection type |
|-----|-----------------|
| | Standard |
| F | Female thread |

| 006 | Pneumatic connection 2 |
|-----|---------------------------|
| | None |
| E | Same size as connection 1 |
| Q4 | Push-in connector 4 mm |
| Q6 | Push-in connector 6 mm |
| Q8 | Push-in connector 8 mm |
| Q10 | Push-in connector 10 mm |
| Q12 | Push-in connector 12 mm |
| Q14 | Push-in connector 14 mm |
| S4 | Push-in sleeve 4 mm |
| S6 | Push-in sleeve 6 mm |
| S8 | Push-in sleeve 8 mm |
| S10 | Push-in sleeve 10 mm |
| S12 | Push-in sleeve 12 mm |

| 007 | Packaging quantity [pieces] |
|-----|-----------------------------|
| P10 | 10 |

Datasheet

General technical data

| | | | | | | | | | |
|------------------------------|---------------|---------------------|---------------|----------|--------------|------------|---------------------|-----------------|--|
| Design | Blanking plug | L-shape | L-shape, long | Bulkhead | T-shape | Plug screw | Y-shape | Straight design | |
| Size | Standard | | | | | | | | |
| Design | – | Push-pull principle | | | | – | Push-pull principle | | |
| Mounting position | optional | | | | | | | | |
| Type of seal on screwed plug | – | Sealing ring | | – | Sealing ring | | – | Sealing ring | |
| Size of pack | 10 | | | | | | | | |

Operating and environmental conditions

| | |
|---|--|
| Operating pressure complete temperature range | -0.95 ... 20 bar |
| Operating medium | Compressed air to ISO 8573-1:2010 [7::-], Water (liquid, ice-free) |
| Note on operating and pilot medium | Lubricated operation possible |
| Ambient temperature ¹⁾ | 0 ... 150°C |
| Corrosion resistance class CRC ²⁾ | 3 - high corrosion stress |
| Suitable for use with food | See declaration of conformity, NSF/ANSI 169 |
| Certificate issuing authority | NSF C0523185 |

1) Note the operating range of the plastic tubing.

2) Corrosion resistance class CRC 3 to Festo standard FN 940070

High corrosion stress. Outdoor exposure under moderate corrosive conditions. External visible parts in direct contact with a normal industrial environment, with primarily functional surface requirements.

Materials

| | |
|---|--|
| Material housing | Brass, chemically nickel-plated |
| Material release ring | Brass, chemically nickel-plated |
| Colour of release ring | Silver |
| Material tubing clamp component | High-alloy stainless steel |
| Material nut | Brass, chemically nickel-plated |
| Material thread seal | FPM |
| Material tubing seal | FPM |
| Note on materials | RoHS-compliant |
| LABS (PWIS) conformity | VDMA24364-B1/B2-L |
| Cleanroom suitability, measured according to ISO 14644-14 ¹⁾ | Class 4 according to ISO 14644-1 Element installed statically, no meaningful evaluation possible according to ISO 14644-1 |

1) No meaningful evaluation according to ISO 14644-1 is possible for blanking plugs, push-in sleeves, push-in fittings with push-in sleeve and plug screws (statically installed elements)

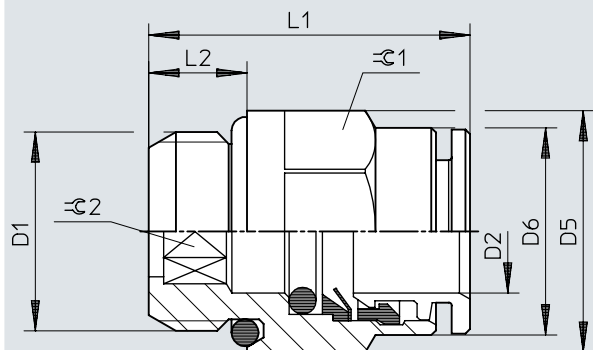
Tubing insertion depths

| | | | | | |
|------------------------------------|-------------------------------------|-------------------------------------|-------------------------------------|--|--|
| Pneumatic connection, port 1 | For tubing outside diameter of 6 mm | For tubing outer diameter of 8 mm | For tubing outer diameter of 12 mm | For tubing outer diameter of 14 mm | |
| Pneumatic connection, port 2 | For tubing outside diameter of 4 mm | For tubing outside diameter of 6 mm | For tubing outside diameter of 8 mm | For tubing outside diameter of 10 mm | For tubing outer diameter of 12 mm |
| Note on the tubing insertion depth | Ø4 depth 13 mm Ø6 depth 15.8 mm | Ø6 depth 15.8 mm Ø8 depth 16 mm | Ø8 depth 16 mm Ø12 depth 19.5 mm | Ø10 depth 18.3 mm Ø14 depth 22.5 mm | Ø12 depth 19.5 mm Ø14 depth 22.5 mm |

Dimensions

Dimensions – Push-in fitting NPQH-D, male thread, with external hex

Download CAD data www.festo.com

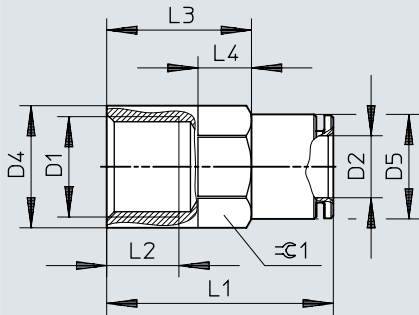


| | D1 | D2 | D5 ø | D6 ø | L1 | L2 | ∅1 | ∅2 |
|--------------------|------|----|---------|---------|------|-----|----|-----|
| NPQH-D-M5-Q4-P10 | M5 | 4 | 8 | 9 | 21,5 | 4 | 9 | 2,5 |
| NPQH-D-M5-Q6-P10 | | 6 | 8 | 12 | 24 | 4 | 12 | 2,5 |
| NPQH-D-M7-Q4-P10 | M7 | 4 | 9 | 9 | 20 | 5 | 9 | 3 |
| NPQH-D-M7-Q6-P10 | | 6 | 9 | 12 | 23 | 5 | 12 | 3 |
| NPQH-D-G18-Q4-P10 | G1/8 | 4 | 13 | 9 | 16,5 | 5 | 9 | 3 |
| NPQH-D-G18-Q6-P10 | | 6 | 13,5 | 12 | 19,5 | 5 | 12 | 4 |
| NPQH-D-G18-Q8-P10 | G1/4 | 8 | 13 | 14 | 23,5 | 5 | 13 | 6 |
| NPQH-D-G14-Q6-P10 | | 6 | 16 | 12 | 19,5 | 6,5 | 12 | 4 |
| NPQH-D-G14-Q8-P10 | | 8 | 16 | 14 | 21,5 | 6,5 | 14 | 6 |
| NPQH-D-G14-Q10-P10 | | 10 | 16 | 16 | 27,5 | 6,5 | 15 | 8 |
| NPQH-D-G14-Q12-P10 | G3/8 | 12 | 16 | 19 | 28,5 | 6,5 | 19 | 8 |
| NPQH-D-G38-Q8-P10 | | 8 | 20 | 14 | 21 | 7 | 14 | 6 |
| NPQH-D-G38-Q10-P10 | | 10 | 20 | 16 | 25 | 7 | 16 | 8 |
| NPQH-D-G38-Q12-P10 | | 12 | 20 | 19 | 28,5 | 7 | 19 | 8 |
| NPQH-D-G38-Q14-P10 | G1/2 | 14 | 20 | 22 | 32 | 7 | 22 | 10 |
| NPQH-D-G12-Q10-P10 | | 10 | 25 | 16 | 25,5 | 8,5 | 16 | 8 |
| NPQH-D-G12-Q12-P10 | | 12 | 25 | 19 | 26,5 | 8,5 | 19 | 8 |
| NPQH-D-G12-Q14-P10 | | 14 | 25 | 22 | 32 | 8,5 | 22 | 12 |

Dimensions

Dimensions – Push-in fitting NPQH-D, female thread, with external hex

Download CAD data www.festo.com

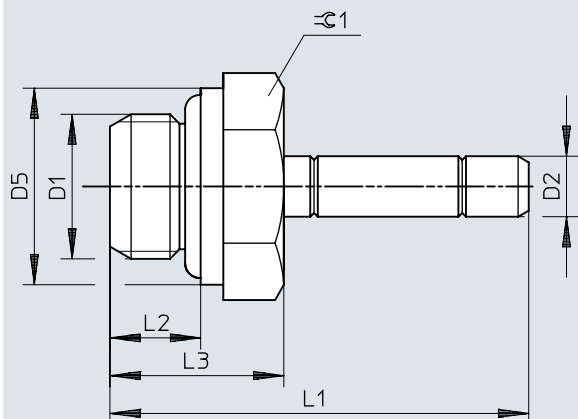


| | D1 | D2 | D4 ∅ | D5 ∅ | L1 | L2 | L3 | L4 | ≈C1 |
|--------------------|------|----|---------|---------|------|-----|------|----|-----|
| NPQH-D-G18F-Q4-P10 | G1/8 | 4 | 13 | 9 | 23,5 | 7,5 | 15 | 5 | 9 |
| NPQH-D-G18F-Q6-P10 | | 6 | 14 | 12 | 26 | 7,5 | 13,5 | 6 | 12 |
| NPQH-D-G18F-Q8-P10 | | 8 | 16 | 14 | 26 | 7,5 | 10 | 10 | 14 |
| NPQH-D-G14F-Q4-P10 | G1/4 | 4 | 16 | 9 | 27 | 11 | 18,5 | 5 | 9 |
| NPQH-D-G14F-Q6-P10 | | 6 | 16 | 12 | 30 | 11 | 18,5 | 6 | 12 |
| NPQH-D-G14F-Q8-P10 | | 8 | 16 | 14 | 30 | 11 | 19 | 7 | 14 |

Dimensions

Dimensions – Push-in fitting NPQH-D with push-in sleeve

Download CAD data www.festo.com

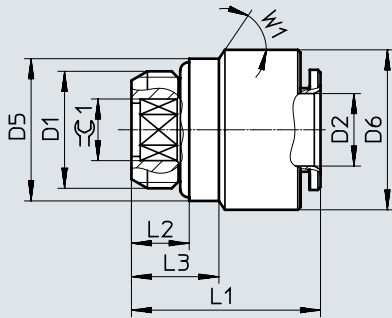


| | D1 | D2 | D5 ∅ ±0,5 | L1 ±0,5 | L2 | L3 | =C1 |
|--------------------|------|----|-----------------|------------|-----|------|-----|
| NPQH-D-M5-S4-P10 | M5 | 4 | 8 | 26 | 4 | 8 | 9 |
| NPQH-D-M5-S6-P10 | | 6 | 8 | 28 | 4 | 8 | 9 |
| NPQH-D-G18-S4-P10 | G1/8 | 4 | 12,9 | 28 | 5 | 10 | 13 |
| NPQH-D-G18-S6-P10 | | 6 | 12,9 | 30 | 5 | 10 | 13 |
| NPQH-D-G18-S8-P10 | | 8 | 12,9 | 31 | 5 | 10 | 13 |
| NPQH-D-G14-S6-P10 | G1/4 | 6 | 16 | 32,5 | 6,5 | 12,5 | 16 |
| NPQH-D-G14-S8-P10 | | 8 | 16 | 33,5 | 6,5 | 12,5 | 16 |
| NPQH-D-G14-S10-P10 | | 10 | 16 | 34,5 | 6,5 | 12,5 | 16 |
| NPQH-D-G14-S12-P10 | | 12 | 16 | 37,5 | 6,5 | 12,5 | 16 |
| NPQH-D-G38-S10-P10 | G3/8 | 10 | 20 | 35 | 7 | 13 | 20 |
| NPQH-D-G38-S12-P10 | | 12 | 20 | 38 | 7 | 13 | 20 |
| NPQH-D-G12-S12-P10 | G1/2 | 12 | 25 | 39,5 | 8,5 | 14,5 | 25 |

Dimensions

Dimensions – Push-in fitting NPQH-DK, male thread, with internal hex, M thread

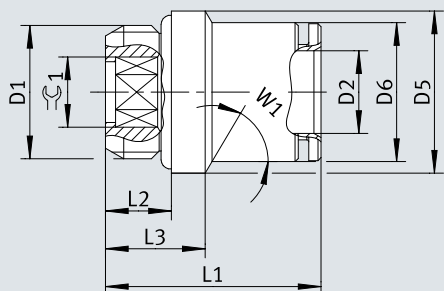
Download CAD data www.festo.com



| | D1 | D2 | D5 ∅ | D6 ∅ | L1 | L2 | L3 | W1 | ⊘1 |
|-------------------|----|----|---------|---------|----|----|----|----|-----|
| NPQH-DK-M5-Q4-P10 | M5 | 4 | 8 | 9 | 19 | 4 | 5 | 45 | 2,5 |
| NPQH-DK-M5-Q6-P10 | | 6 | 8 | 12 | 22 | 4 | 5 | 45 | 2,5 |
| NPQH-DK-M7-Q4-P10 | M7 | 4 | 9 | 9 | 20 | 5 | – | – | 3 |
| NPQH-DK-M7-Q6-P10 | | 6 | 9 | 12 | 23 | 5 | 6 | 45 | 3 |

Dimensions

Dimensions – Push-in fitting NPQH-DK, male thread, with internal hex, G thread

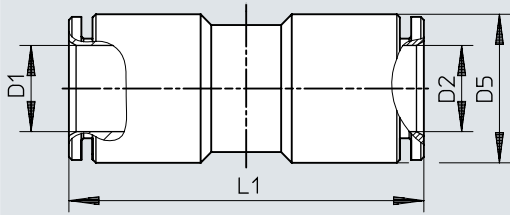
Download CAD data www.festo.com

| | D1 | D2 ∅ | D5 ∅ | D6 ∅ | L1 | L2 | L3 | W1 | =C1 |
|---------------------|------|---------|---------|---------|------|-----|-----|----|-----|
| NPQH-DK-M5-Q4-P10 | M5 | 4 | 8 | 9 | 19 | 4 | 5 | 45 | 2,5 |
| NPQH-DK-M5-Q6-P10 | | 6 | 8 | 9,9 | 22,5 | 4 | 5 | – | 2,5 |
| NPQH-DK-M7-Q4-P10 | M7 | 4 | 9 | 9 | 20 | 5 | – | – | 3 |
| NPQH-DK-M7-Q6-P10 | | 6 | 9 | 9,9 | 23,5 | 5 | 6 | – | 3 |
| NPQH-DK-G18-Q4-P10 | G1/8 | 4 | 13 | 9 | 16,5 | 5 | 7 | 45 | 3 |
| NPQH-DK-G18-Q6-P10 | | 6 | 13 | 12 | 19,5 | 5 | 7,5 | 60 | 4 |
| NPQH-DK-G18-Q8-P10 | | 8 | 13 | 14 | 23,5 | 5 | 6 | 45 | 6 |
| NPQH-DK-G18-Q10-P10 | | 10 | 13 | 16 | 26 | 5 | 6 | – | 6 |
| NPQH-DK-G14-Q8-P10 | G1/4 | 8 | 16 | 14 | 21,5 | 6,5 | 9 | 60 | 6 |
| NPQH-DK-G14-Q10-P10 | | 10 | 16 | 16 | 27,5 | 6,5 | – | – | 8 |
| NPQH-DK-G38-Q12-P10 | G3/8 | 12 | 20 | 18 | 28,5 | 7 | 9,5 | 60 | 10 |

Dimensions

Dimensions – Push-in connector NPQH-D

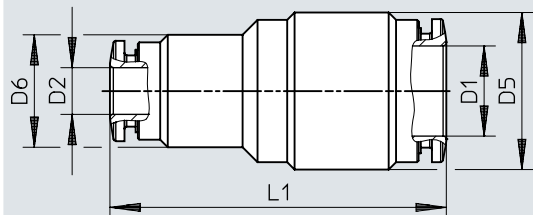
Download CAD data www.festo.com



| | D1 | D2 | D5 ø | L1 ±1 |
|------------------|----|----|---------|----------|
| NPQH-D-Q4-E-P10 | 4 | 4 | 9 | 28 |
| NPQH-D-Q6-E-P10 | 6 | 6 | 12 | 33,5 |
| NPQH-D-Q8-E-P10 | 8 | 8 | 14 | 34 |
| NPQH-D-Q10-E-P10 | 10 | 10 | 16 | 38,5 |
| NPQH-D-Q12-E-P10 | 12 | 12 | 19 | 41 |
| NPQH-D-Q14-E-P10 | 14 | 14 | 22 | 47 |

Dimensions

Dimensions – Push-in connector NPQH-D, reducing

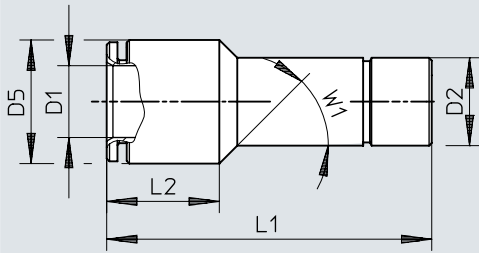
Download CAD data www.festo.com

| | D1 | D2 | D5 ∅ | D6 ∅ | L1 ±1 |
|--------------------|----|----|---------|---------|----------|
| NPQH-D-Q6-Q4-P10 | 6 | 4 | 12 | 12 | 31 |
| NPQH-D-Q8-Q6-P10 | 8 | 6 | 14 | 14 | 34 |
| NPQH-D-Q12-Q8-P10 | 12 | 8 | 19 | 14 | 39 |
| NPQH-D-Q14-Q10-P10 | 14 | 10 | 22 | 16 | 44,5 |
| NPQH-D-Q14-Q12-P10 | 14 | 12 | 22 | 19 | 44,5 |

Dimensions

Dimensions – Push-in connector NPQH-D with push-in sleeve

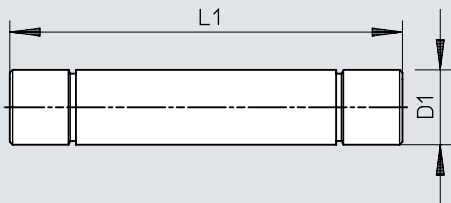
Download CAD data www.festo.com



| | D1 | D2 | D5 ∅ | L1 | L2 | W1 |
|--------------------|----|----|---------|------|------|----|
| NPQH-D-S6-Q4-P10 | 4 | 6 | 9 | 33,5 | 9,5 | 45 |
| NPQH-D-S8-Q4-P10 | | 8 | 9 | 33,5 | 10,5 | 45 |
| NPQH-D-S10-Q4-P10 | | 10 | 10 | 31,5 | – | – |
| NPQH-D-S8-Q6-P10 | 6 | 8 | 12 | 35 | 10,5 | 45 |
| NPQH-D-S10-Q6-P10 | | 10 | 12 | 36,5 | 11 | 45 |
| NPQH-D-S12-Q6-P10 | | 12 | 12 | 35,5 | – | – |
| NPQH-D-S14-Q6-P10 | 8 | 14 | 14 | 37,5 | – | – |
| NPQH-D-S10-Q8-P10 | | 10 | 14 | 37 | 10,5 | 45 |
| NPQH-D-S12-Q8-P10 | | 12 | 14 | 39 | 10,5 | 45 |
| NPQH-D-S14-Q8-P10 | 10 | 14 | 14 | 38,5 | – | – |
| NPQH-D-S12-Q10-P10 | | 12 | 16 | 42 | 12 | 45 |
| NPQH-D-S14-Q10-P10 | | 14 | 16 | 42 | 13 | 45 |
| NPQH-D-S14-Q12-P10 | 12 | 14 | 19 | 43 | 12,5 | 45 |

Dimensions

Dimensions – Push-in sleeve NPQH-D

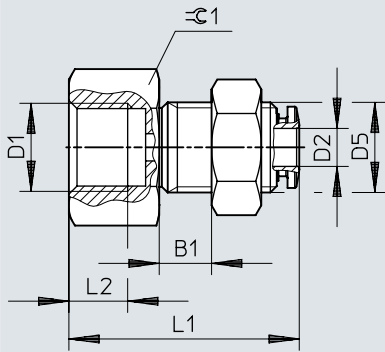
Download CAD data www.festo.com

| | D1 | L1 |
|------------------|----|----|
| NPQH-D-S4-E-P10 | 4 | 35 |
| NPQH-D-S6-E-P10 | 6 | 40 |
| NPQH-D-S8-E-P10 | 8 | 42 |
| NPQH-D-S10-E-P10 | 10 | 50 |
| NPQH-D-S12-E-P10 | 12 | 53 |
| NPQH-D-S14-E-P10 | 14 | 54 |

Dimensions

Dimensions – Bulkhead push-in fitting NPQH-H, female thread, with external hex

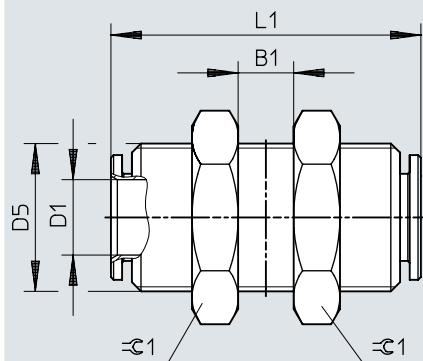
Download CAD data www.festo.com



| | D1 | D2 | B1 max. | D5 | L1 ±0,5 | L2 | ∅C1 |
|--------------------|------|----|------------|-------|------------|-----|-----|
| NPQH-H-G18F-Q4-P10 | G1/8 | 4 | 7 | M12x1 | 23,5 | 7,5 | 16 |
| NPQH-H-G18F-Q6-P10 | | 6 | 10 | M14x1 | 26,5 | 7,5 | 18 |
| NPQH-H-G18F-Q8-P10 | | 8 | 10 | M16x1 | 26,5 | 7,5 | 20 |
| NPQH-H-G14F-Q6-P10 | G1/4 | 6 | 10 | M14x1 | 30,5 | 11 | 18 |
| NPQH-H-G14F-Q8-P10 | | 8 | 10 | M16x1 | 30,5 | 11 | 20 |

Dimensions

Dimensions – Push-in bulkhead connector NPQH-H

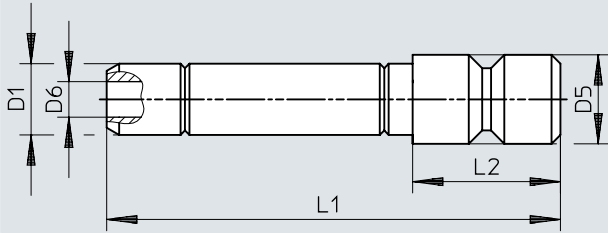
Download CAD data www.festo.com

| | D1 | B1 max. | D5 | L1 | ∅1 |
|------------------|----|------------|-------|----|----|
| NPQH-H-Q4-E-P10 | 4 | 11 | M12x1 | 28 | 16 |
| NPQH-H-Q6-E-P10 | 6 | 16 | M14x1 | 34 | 18 |
| NPQH-H-Q8-E-P10 | 8 | 17 | M16x1 | 34 | 20 |
| NPQH-H-Q10-E-P10 | 10 | 19 | M18x1 | 39 | 22 |
| NPQH-H-Q12-E-P10 | 12 | 20 | M20x1 | 41 | 24 |

Dimensions

Dimensions – Blanking plug NPQH-P

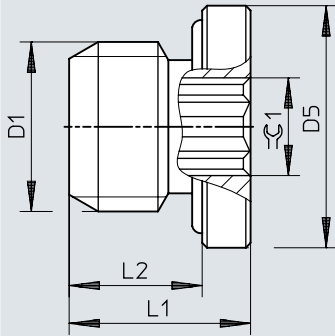
Download CAD data www.festo.com



| | D1 | D5 ∅ | D6 ∅ ±0,3 | L1 ±0,5 | L2 |
|----------------|----|---------|-----------------|------------|----|
| NPQH-P-S4-P10 | 4 | 5 | – | 25 | 9 |
| NPQH-P-S6-P10 | 6 | 6 | 3,5 | 25 | 9 |
| NPQH-P-S8-P10 | 8 | 8 | 5,5 | 30 | 9 |
| NPQH-P-S10-P10 | 10 | 10 | 7,5 | 35 | 12 |
| NPQH-P-S12-P10 | 12 | 12 | 9,5 | 40 | 12 |
| NPQH-P-S14-P10 | 14 | 14 | 11 | 40 | 12 |

Dimensions

Dimensions – Plug screw NPQH-BK

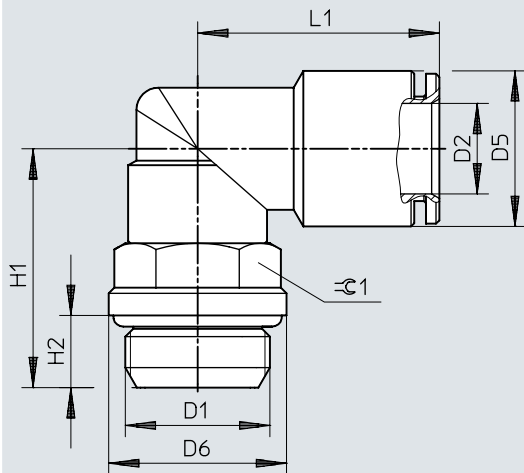
Download CAD data www.festo.com

| | D1 | D5 ∅ | L1 max. | L2 | R1 |
|-----------------|------|---------|------------|-----|-----|
| NPQH-BK-M5-P10 | M5 | 8 | 5,5 | 4 | 2,5 |
| NPQH-BK-M7-P10 | M7 | 9 | 7 | 5 | 3 |
| NPQH-BK-G18-P10 | G1/8 | 13 | 8,5 | 6 | 5 |
| NPQH-BK-G14-P10 | G1/4 | 16 | 9,5 | 6,5 | 6 |
| NPQH-BK-G38-P10 | G3/8 | 20 | 10 | 7 | 8 |
| NPQH-BK-G12-P10 | G1/2 | 25 | 12 | 8,5 | 10 |

Dimensions

Dimensions – Push-in L-fitting NPQH-L, can be rotated 360°, male thread, with external hex

Download CAD data www.festo.com

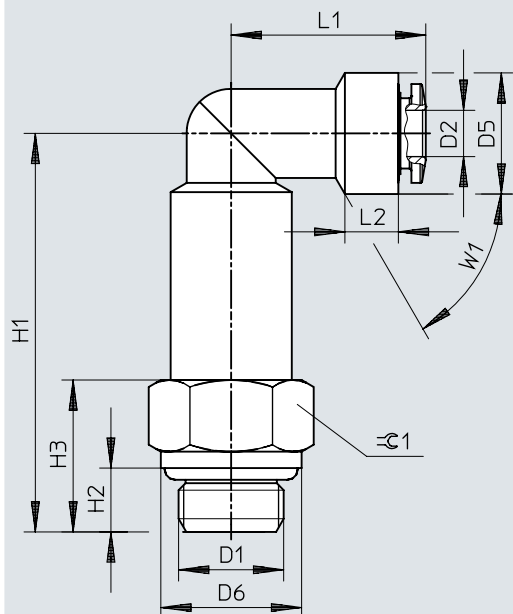


| | D1 | D2 | D5 ∅ | D6 ∅ | H1 | H2 | L1 | ≈∅1 |
|--------------------|------|----|---------|---------|------|-----|------|-----|
| NPQH-L-M5-Q4-P10 | M5 | 4 | 9 | 8 | 14 | 4 | 17,5 | 9 |
| NPQH-L-M5-Q6-P10 | | 6 | 12 | 8 | 14 | 4 | 20,5 | 9 |
| NPQH-L-M7-Q4-P10 | M7 | 4 | 9 | 9 | 15 | 5 | 17,5 | 9 |
| NPQH-L-M7-Q6-P10 | | 6 | 12 | 9 | 15 | 5 | 17,5 | 9 |
| NPQH-L-G18-Q4-P10 | G1/8 | 4 | 9 | 13 | 18 | 5 | 19,5 | 13 |
| NPQH-L-G18-Q6-P10 | | 6 | 12 | 13 | 18 | 5 | 22 | 13 |
| NPQH-L-G18-Q8-P10 | | 8 | 14 | 13 | 18 | 5 | 22,5 | 13 |
| NPQH-L-G14-Q6-P10 | G1/4 | 6 | 12 | 16 | 21,5 | 6,5 | 22 | 13 |
| NPQH-L-G14-Q8-P10 | | 8 | 14 | 16 | 21,5 | 6,5 | 22,5 | 13 |
| NPQH-L-G14-Q10-P10 | | 10 | 16 | 16 | 22 | 6,5 | 26 | 16 |
| NPQH-L-G14-Q12-P10 | | 12 | 19 | 16 | 25,5 | 6,5 | 28,5 | 20 |
| NPQH-L-G38-Q8-P10 | G3/8 | 8 | 14 | 20 | 25,5 | 7 | 23 | 16 |
| NPQH-L-G38-Q10-P10 | | 10 | 16 | 20 | 25,5 | 7 | 26 | 16 |
| NPQH-L-G38-Q12-P10 | | 12 | 19 | 20 | 26 | 7 | 28,5 | 20 |
| NPQH-L-G38-Q14-P10 | | 14 | 22 | 20 | 26 | 7 | 32 | 20 |
| NPQH-L-G12-Q10-P10 | G1/2 | 10 | 16 | 25 | 27,5 | 8,5 | 26 | 16 |
| NPQH-L-G12-Q12-P10 | | 12 | 19 | 25 | 30,5 | 8,5 | 28,5 | 20 |
| NPQH-L-G12-Q14-P10 | | 14 | 22 | 25 | 30,5 | 8,5 | 32 | 20 |

Dimensions

Dimensions – Push-in L-fitting, long, NPQH-LL, can be rotated 360°, male thread, with external hex

Download CAD data www.festo.com

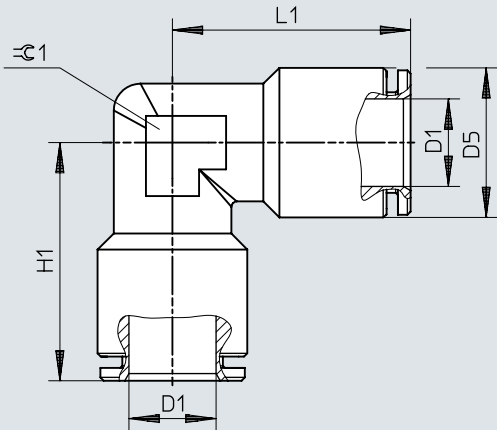


| | D1 | D2 | D5 ∅ ±0,5 | D6 ∅ ±0,5 | H1 ±1 | H2 | H3 | L1 ±1 | L2 | W1 | ⊖1 |
|---------------------|------|----|-----------------|-----------------|----------|-----|------|----------|----|----|----|
| NPQH-LL-G18-Q4-P10 | G1/8 | 4 | 9 | 13 | 29 | 5 | 9,5 | 19,5 | – | – | 13 |
| NPQH-LL-G18-Q6-P10 | | 6 | 12 | 13 | 32 | 5 | 9,5 | 22 | 10 | 45 | 13 |
| NPQH-LL-G18-Q8-P10 | | 8 | 14 | 13 | 34 | 5 | 9,5 | 22,5 | 11 | 30 | 13 |
| NPQH-LL-G14-Q6-P10 | G1/4 | 6 | 12 | 16 | 35,5 | 6,5 | 13 | 22 | 10 | 45 | 13 |
| NPQH-LL-G14-Q8-P10 | | 8 | 14 | 16 | 37,5 | 6,5 | 13 | 22,5 | 11 | 30 | 13 |
| NPQH-LL-G14-Q10-P10 | | 10 | 16 | 16 | 39 | 6,5 | 11,5 | 26 | 12 | 45 | 16 |
| NPQH-LL-G38-Q10-P10 | G3/8 | 10 | 16 | 20 | 42,5 | 7 | 15 | 26 | 12 | 45 | 16 |

Dimensions

Dimensions – Push-in L-connector NPQH-L

Download CAD data www.festo.com

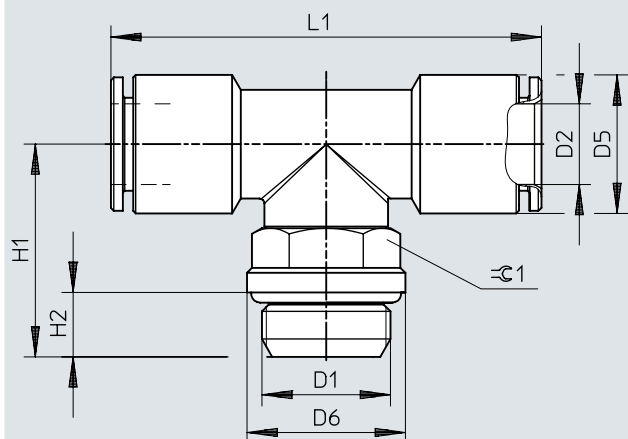


| | D1 | D5 ∅ | H1 | L1 | ≻ 1 |
|------------------|----|---------|------|------|-----|
| NPQH-L-Q4-E-P10 | 4 | 9 | 17,5 | 17,5 | 8 |
| NPQH-L-Q6-E-P10 | 6 | 12 | 20,5 | 20,5 | 10 |
| NPQH-L-Q8-E-P10 | 8 | 14 | 22,5 | 22,5 | 12 |
| NPQH-L-Q10-E-P10 | 10 | 16 | 25 | 25 | 14 |
| NPQH-L-Q12-E-P10 | 12 | 19 | 26,5 | 26,5 | 18 |
| NPQH-L-Q14-E-P10 | 14 | 22 | 31,5 | 31,5 | 18 |

Dimensions

Dimensions – Push-in T-fitting NPQH-T, can be rotated 360°, male thread, with external hex

Download CAD data www.festo.com

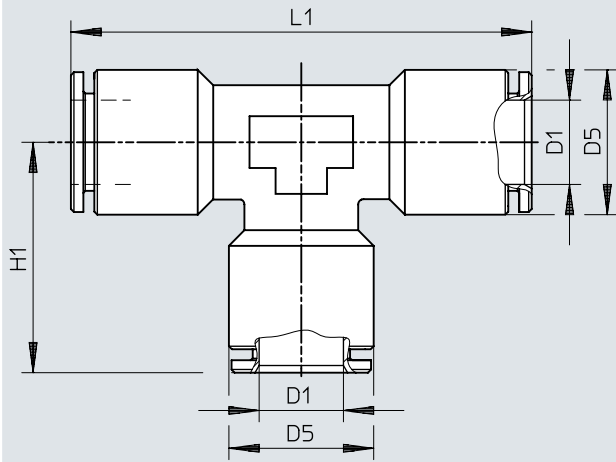


| | D1 | D2 | D5 ∅ | D6 ∅ | H1 | H2 | L1 | ⊖1 |
|--------------------|------|----|---------|---------|------|-----|----|----|
| NPQH-T-M5-Q4-P10 | M5 | 4 | 9 | 8 | 14,5 | 4 | 35 | 9 |
| NPQH-T-M5-Q6-P10 | | 6 | 12 | 8 | 14,5 | 4 | 41 | 9 |
| NPQH-T-G18-Q4-P10 | G1/8 | 4 | 9 | 13 | 18 | 5 | 39 | 13 |
| NPQH-T-G18-Q6-P10 | | 6 | 12 | 13 | 18 | 5 | 44 | 13 |
| NPQH-T-G18-Q8-P10 | | 8 | 14 | 13 | 18 | 5 | 45 | 13 |
| NPQH-T-G14-Q6-P10 | G1/4 | 6 | 12 | 16 | 21,5 | 6,5 | 44 | 13 |
| NPQH-T-G14-Q8-P10 | | 8 | 14 | 16 | 21,5 | 6,5 | 45 | 13 |
| NPQH-T-G14-Q10-P10 | | 10 | 16 | 16 | 22 | 6,5 | 52 | 16 |
| NPQH-T-G14-Q12-P10 | | 12 | 19 | 16 | 25,5 | 6,5 | 57 | 20 |
| NPQH-T-G38-Q8-P10 | G3/8 | 8 | 14 | 20 | 25,5 | 7 | 46 | 16 |
| NPQH-T-G38-Q10-P10 | | 10 | 16 | 20 | 25,5 | 7 | 52 | 16 |
| NPQH-T-G38-Q12-P10 | | 12 | 19 | 20 | 26 | 7 | 57 | 20 |
| NPQH-T-G12-Q10-P10 | G1/2 | 10 | 16 | 25 | 27,5 | 8,5 | 52 | 16 |
| NPQH-T-G12-Q12-P10 | | 12 | 19 | 25 | 30,5 | 8,5 | 57 | 20 |

Dimensions

Dimensions – Push-in T-connector NPQH-T

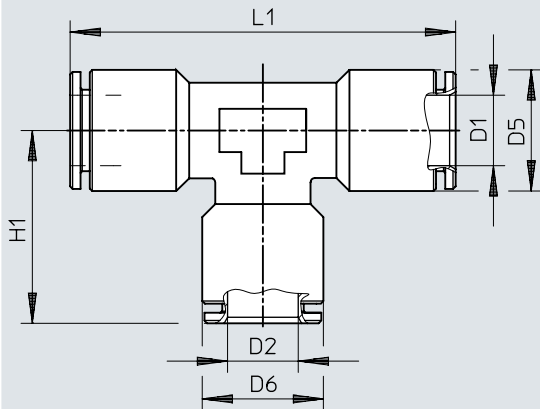
Download CAD data www.festo.com



| | D1 | D5 ∅ | H1 | L1 |
|------------------|----|---------|------|----|
| NPQH-T-Q4-E-P10 | 4 | 9 | 17,5 | 35 |
| NPQH-T-Q6-E-P10 | 6 | 12 | 20 | 40 |
| NPQH-T-Q8-E-P10 | 8 | 14 | 21 | 42 |
| NPQH-T-Q10-E-P10 | 10 | 16 | 24,5 | 49 |
| NPQH-T-Q12-E-P10 | 12 | 19 | 26 | 52 |
| NPQH-T-Q14-E-P10 | 14 | 22 | 30,5 | 61 |

Dimensions

Dimensions – Push-in T-connector NPQH-T, reducing

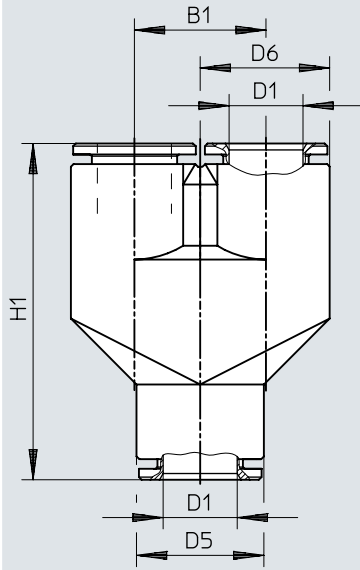
Download CAD data www.festo.com

| | D1 | D2 | D5 ∅ | D6 ∅ | H1 | L1 |
|--------------------|----|----|---------|---------|------|----|
| NPQH-T-Q6-Q4-P10 | 6 | 4 | 12 | 9 | 18 | 40 |
| NPQH-T-Q8-Q6-P10 | 8 | 6 | 14 | 12 | 20,5 | 42 |
| NPQH-T-Q10-Q8-P10 | 10 | 8 | 16 | 14 | 23 | 49 |
| NPQH-T-Q12-Q10-P10 | 12 | 10 | 19 | 16 | 26 | 52 |

Dimensions

Dimensions – Push-in Y-connector NPQH-Y

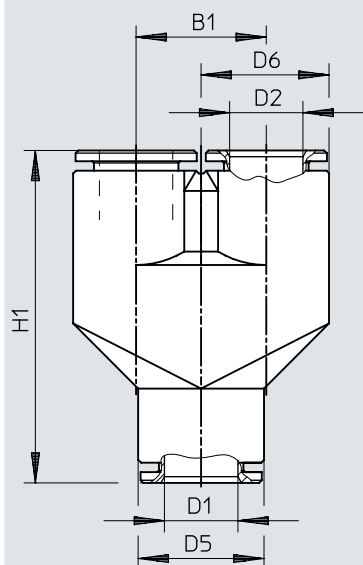
Download CAD data www.festo.com



| | D1 | B1 | D5 ∅ | D6 ∅ | H1 |
|------------------|----|------|---------|---------|------|
| NPQH-Y-Q6-E-P10 | 6 | 12,5 | 12 | 12,3 | 36 |
| NPQH-Y-Q8-E-P10 | 8 | 14,5 | 14 | 14,3 | 37,5 |
| NPQH-Y-Q10-E-P10 | 10 | 16,5 | 16 | 16,3 | 44,5 |

Dimensions

Dimensions – Push-in Y-connector NPQH-Y, reducing

Download CAD data www.festo.com


| | D1 | D2 | B1 | D5 ∅ | D6 ∅ | H1 |
|-------------------|----|----|------|---------|---------|------|
| NPQH-Y-Q6-Q4-P10 | 6 | 4 | 12,5 | 12 | 12,3 | 34 |
| NPQH-Y-Q8-Q6-P10 | 8 | 6 | 14,5 | 14 | 14,3 | 37,5 |
| NPQH-Y-Q10-Q8-P10 | 10 | 8 | 16,5 | 16 | 16,3 | 44 |

Ordering data


Push-in fitting NPQH-D, male thread, with external hex


| | Pneumatic connection, port 1 | Pneumatic connection, port 2 | Product weight | Part no. | Type |
|--|--------------------------------------|--------------------------------------|----------------|--------------------|--------------------|
|  | Male thread M5 | For tubing outside diameter of 4 mm | 5.8 g | 578334 | NPQH-D-M5-Q4-P10 |
| | | For tubing outside diameter of 6 mm | 11.2 g | 578335 | NPQH-D-M5-Q6-P10 |
| | Male thread M7 | For tubing outside diameter of 4 mm | 5.2 g | 578336 | NPQH-D-M7-Q4-P10 |
| | | For tubing outside diameter of 6 mm | 10.2 g | 578337 | NPQH-D-M7-Q6-P10 |
| | Male thread G1/8 | For tubing outside diameter of 4 mm | 6.3 g | 578338 | NPQH-D-G18-Q4-P10 |
| | | For tubing outside diameter of 6 mm | 9.2 g | 578339 | NPQH-D-G18-Q6-P10 |
| | | For tubing outside diameter of 8 mm | 11.9 g | 578340 | NPQH-D-G18-Q8-P10 |
| | Male thread G1/4 | For tubing outside diameter of 6 mm | 13.1 g | 578341 | NPQH-D-G14-Q6-P10 |
| | | For tubing outside diameter of 8 mm | 14.1 g | 578342 | NPQH-D-G14-Q8-P10 |
| | | For tubing outside diameter of 10 mm | 17.5 g | 578343 | NPQH-D-G14-Q10-P10 |
| | | For tubing outer diameter of 12 mm | 26.6 g | 578344 | NPQH-D-G14-Q12-P10 |
| | Male thread G3/8 | For tubing outside diameter of 8 mm | 20.6 g | 578345 | NPQH-D-G38-Q8-P10 |
| | | For tubing outside diameter of 10 mm | 22.7 g | 578346 | NPQH-D-G38-Q10-P10 |
| | | For tubing outer diameter of 12 mm | 29.8 g | 578347 | NPQH-D-G38-Q12-P10 |
| | | For tubing outside diameter of 14 mm | 38.3 g | 578348 | NPQH-D-G38-Q14-P10 |
| Male thread G1/2 | For tubing outside diameter of 10 mm | 35.4 g | 578349 | NPQH-D-G12-Q10-P10 | |
| | For tubing outer diameter of 12 mm | 37.1 g | 578350 | NPQH-D-G12-Q12-P10 | |
| | For tubing outside diameter of 14 mm | 43.4 g | 578351 | NPQH-D-G12-Q14-P10 | |


Push-in fitting NPQH-D, female thread, with external hex

| | Pneumatic connection, port 1 | Pneumatic connection, port 2 | Product weight | Part no. | Type |
|--|------------------------------|-------------------------------------|----------------|----------|--------------------|
|  | Female thread G1/8 | For tubing outside diameter of 4 mm | 10.2 g | 578352 | NPQH-D-G18F-Q4-P10 |
| | | For tubing outside diameter of 6 mm | 15.2 g | 578353 | NPQH-D-G18F-Q6-P10 |
| | | For tubing outside diameter of 8 mm | 17.9 g | 578354 | NPQH-D-G18F-Q8-P10 |
| | Female thread G1/4 | For tubing outside diameter of 4 mm | 14.6 g | 578355 | NPQH-D-G14F-Q4-P10 |
| | | For tubing outside diameter of 6 mm | 18.7 g | 578356 | NPQH-D-G14F-Q6-P10 |
| | | For tubing outside diameter of 8 mm | 20.3 g | 578357 | NPQH-D-G14F-Q8-P10 |

Ordering data


| Push-in fitting NPQH-D with push-in sleeve | | | | | |
|---|------------------------------|------------------------------|----------------|----------|--------------------|
| | Pneumatic connection, port 1 | Pneumatic connection, port 2 | Product weight | Part no. | Type |
|  | Male thread M5 | Push-in sleeve Ø 4 mm | 3.3 g | 578358 | NPQH-D-M5-S4-P10 |
| | | Push-in sleeve Ø 6 mm | 6 g | 578359 | NPQH-D-M5-S6-P10 |
| | Male thread G1/8 | Push-in sleeve Ø 4 mm | 7.4 g | 578360 | NPQH-D-G18-S4-P10 |
| | | Push-in sleeve Ø 6 mm | 8.6 g | 578361 | NPQH-D-G18-S6-P10 |
| | | Push-in sleeve Ø 8 mm | 9.6 g | 578362 | NPQH-D-G18-S8-P10 |
| | Male thread G1/4 | Push-in sleeve Ø 6 mm | 13.9 g | 578363 | NPQH-D-G14-S6-P10 |
| | | Push-in sleeve Ø 8 mm | 14.8 g | 578364 | NPQH-D-G14-S8-P10 |
| | | Push-in sleeve Ø 10 mm | 15.8 g | 578365 | NPQH-D-G14-S10-P10 |
| | | Push-in sleeve Ø 12 mm | 22.2 g | 578366 | NPQH-D-G14-S12-P10 |
| | Male thread G3/8 | Push-in sleeve Ø 10 mm | 22.5 g | 578367 | NPQH-D-G38-S10-P10 |
| | | Push-in sleeve Ø 12 mm | 23.8 g | 578368 | NPQH-D-G38-S12-P10 |
| | Male thread G1/2 | Push-in sleeve Ø 12 mm | 34 g | 578369 | NPQH-D-G12-S12-P10 |

| Push-in fitting NPQH-DK, male thread, with internal hex | | | | | |
|--|------------------------------|--------------------------------------|----------------|----------|---------------------|
| | Pneumatic connection, port 1 | Pneumatic connection, port 2 | Product weight | Part no. | Type |
|  | Male thread M5 | For tubing outside diameter of 4 mm | 4.5 g | 578370 | NPQH-DK-M5-Q4-P10 |
| | | For tubing outside diameter of 6 mm | 5.58 g | 8114987 | NPQH-DK-M5-Q6-P10 |
| | Male thread M7 | For tubing outside diameter of 4 mm | 5.1 g | 578372 | NPQH-DK-M7-Q4-P10 |
| | | For tubing outside diameter of 6 mm | 6.41 g | 8114986 | NPQH-DK-M7-Q6-P10 |
| | Male thread G1/8 | For tubing outside diameter of 4 mm | 6.2 g | 578374 | NPQH-DK-G18-Q4-P10 |
| | | For tubing outside diameter of 6 mm | 9.1 g | 578375 | NPQH-DK-G18-Q6-P10 |
| | | For tubing outside diameter of 8 mm | 12.8 g | 578376 | NPQH-DK-G18-Q8-P10 |
| | | For tubing outside diameter of 10 mm | 16.2 g | 8114985 | NPQH-DK-G18-Q10-P10 |
| | Male thread G1/4 | For tubing outside diameter of 8 mm | 14.4 g | 578377 | NPQH-DK-G14-Q8-P10 |
| | | For tubing outside diameter of 10 mm | 18.6 g | 578378 | NPQH-DK-G14-Q10-P10 |
| | Male thread G3/8 | For tubing outer diameter of 12 mm | 28.2 g | 578379 | NPQH-DK-G38-Q12-P10 |


| Push-in connector NPQH-D | | | | | |
|---|-------------------------------------|--------------------------------------|----------------|----------|------------------|
| | Pneumatic connection, port 1 | Pneumatic connection, port 2 | Product weight | Part no. | Type |
|  | For tubing outer diameter of 4 mm | For tubing outside diameter of 4 mm | 7 g | 578323 | NPQH-D-Q4-E-P10 |
| | For tubing outside diameter of 6 mm | For tubing outside diameter of 6 mm | 15.1 g | 578324 | NPQH-D-Q6-E-P10 |
| | For tubing outer diameter of 8 mm | For tubing outside diameter of 8 mm | 18.5 g | 578325 | NPQH-D-Q8-E-P10 |
| | For tubing outer diameter of 10 mm | For tubing outside diameter of 10 mm | 22.8 g | 578326 | NPQH-D-Q10-E-P10 |
| | For tubing outer diameter of 12 mm | For tubing outer diameter of 12 mm | 37 g | 578327 | NPQH-D-Q12-E-P10 |

Ordering data


Push-in connector NPQH-D

| | Pneumatic connection, port 1 | Pneumatic connection, port 2 | Product weight | Part no. | Type |
|--|------------------------------------|--------------------------------------|----------------|---------------|-------------------------|
|  | For tubing outer diameter of 14 mm | For tubing outside diameter of 14 mm | 49.2 g | 578328 | NPQH-D-Q14-E-P10 |


Push-in connector NPQH-D, reducing


| | Design | Pneumatic connection, port 1 | Pneumatic connection, port 2 | Product weight | Part no. | Type |
|--|-----------------|-------------------------------------|--------------------------------------|----------------|---------------|---------------------------|
|  | Straight design | For tubing outside diameter of 6 mm | For tubing outside diameter of 4 mm | 14.9 g | 578329 | NPQH-D-Q6-Q4-P10 |
| | | For tubing outer diameter of 8 mm | For tubing outside diameter of 6 mm | 21.4 g | 578330 | NPQH-D-Q8-Q6-P10 |
| | | For tubing outer diameter of 12 mm | For tubing outside diameter of 8 mm | 32.5 g | 578331 | NPQH-D-Q12-Q8-P10 |
| | | For tubing outer diameter of 14 mm | For tubing outside diameter of 10 mm | 43.2 g | 578332 | NPQH-D-Q14-Q10-P10 |
| | | | For tubing outer diameter of 12 mm | 45.8 g | 578333 | NPQH-D-Q14-Q12-P10 |


Push-in connector NPQH-D with push-in sleeve


| | Design | Pneumatic connection, port 1 | Pneumatic connection, port 2 | Product weight | Part no. | Type |
|--|-----------------|------------------------------|--------------------------------------|----------------|---------------|---------------------------|
|  | Straight design | Push-in sleeve Ø 6 mm | For tubing outside diameter of 6 mm | 6.9 g | 578304 | NPQH-D-S6-Q4-P10 |
| | | | For tubing outside diameter of 4 mm | 10.4 g | 578305 | NPQH-D-S8-Q4-P10 |
| | | Push-in sleeve Ø 8 mm | For tubing outside diameter of 6 mm | 11.7 g | 578306 | NPQH-D-S8-Q6-P10 |
| | | | For tubing outside diameter of 4 mm | 15.4 g | 578307 | NPQH-D-S10-Q4-P10 |
| | | | For tubing outside diameter of 6 mm | 16.8 g | 578308 | NPQH-D-S10-Q6-P10 |
| | | Push-in sleeve Ø 10 mm | For tubing outside diameter of 8 mm | 15.1 g | 578309 | NPQH-D-S10-Q8-P10 |
| | | | For tubing outside diameter of 6 mm | 22.6 g | 578310 | NPQH-D-S12-Q6-P10 |
| | | | For tubing outside diameter of 8 mm | 22.8 g | 578311 | NPQH-D-S12-Q8-P10 |
| | | Push-in sleeve Ø 12 mm | For tubing outside diameter of 10 mm | 20.5 g | 578312 | NPQH-D-S12-Q10-P10 |
| | | | For tubing outside diameter of 6 mm | 35.7 g | 578313 | NPQH-D-S14-Q6-P10 |

Ordering data

| Push-in connector NPQH-D with push-in sleeve | | | | | | |
|---|-----------------|------------------------------|--------------------------------------|----------------|----------|--------------------|
| | Design | Pneumatic connection, port 1 | Pneumatic connection, port 2 | Product weight | Part no. | Type |
|  | Straight design | Push-in sleeve Ø 14 mm | For tubing outside diameter of 8 mm | 31.1 g | 578314 | NPQH-D-S14-Q8-P10 |
| | | | For tubing outside diameter of 10 mm | 29.2 g | 578315 | NPQH-D-S14-Q10-P10 |
| | | | For tubing outer diameter of 12 mm | 27.7 g | 578316 | NPQH-D-S14-Q12-P10 |


| Push-in sleeve NPQH-D | | | | | | |
|---|-----------------|------------------------------|------------------------------|----------------|----------|------------------|
| | Design | Pneumatic connection, port 1 | Pneumatic connection, port 2 | Product weight | Part no. | Type |
|  | Straight design | Push-in sleeve Ø 4 mm | Push-in sleeve Ø 4 mm | 2.8 g | 578317 | NPQH-D-S4-E-P10 |
| | | Push-in sleeve Ø 6 mm | Push-in sleeve Ø 6 mm | 5.1 g | 578318 | NPQH-D-S6-E-P10 |
| | | Push-in sleeve Ø 8 mm | Push-in sleeve Ø 8 mm | 7.6 g | 578319 | NPQH-D-S8-E-P10 |
| | | Push-in sleeve Ø 10 mm | Push-in sleeve Ø 10 mm | 12 g | 578320 | NPQH-D-S10-E-P10 |
| | | Push-in sleeve Ø 12 mm | Push-in sleeve Ø 12 mm | 16.1 g | 578321 | NPQH-D-S12-E-P10 |
| | | Push-in sleeve Ø 14 mm | Push-in sleeve Ø 14 mm | 19.1 g | 578322 | NPQH-D-S14-E-P10 |

| Bulkhead push-in fitting NPQH-H, female thread, with external hex | | | | | | |
|---|------------------------------|-------------------------------------|----------------|----------|--------------------|--|
| | Pneumatic connection, port 1 | Pneumatic connection, port 2 | Product weight | Part no. | Type | |
|  | Female thread G1/8 | For tubing outside diameter of 4 mm | 24.6 g | 578294 | NPQH-H-G18F-Q4-P10 | |
| | | For tubing outside diameter of 6 mm | 34.2 g | 578295 | NPQH-H-G18F-Q6-P10 | |
| | | For tubing outside diameter of 8 mm | 42.3 g | 578296 | NPQH-H-G18F-Q8-P10 | |
| | Female thread G1/4 | For tubing outside diameter of 6 mm | 36.4 g | 578297 | NPQH-H-G14F-Q6-P10 | |
| | | For tubing outside diameter of 8 mm | 46.5 g | 578298 | NPQH-H-G14F-Q8-P10 | |


| Push-in bulkhead connector NPQH-H | | | | | | |
|---|----------|-------------------------------------|--------------------------------------|----------------|----------|------------------|
| | Design | Pneumatic connection, port 1 | Pneumatic connection, port 2 | Product weight | Part no. | Type |
|  | Bulkhead | For tubing outer diameter of 4 mm | For tubing outside diameter of 4 mm | 23.5 g | 578299 | NPQH-H-Q4-E-P10 |
| | | For tubing outside diameter of 6 mm | For tubing outside diameter of 6 mm | 34.6 g | 578300 | NPQH-H-Q6-E-P10 |
| | | For tubing outer diameter of 8 mm | For tubing outside diameter of 8 mm | 40.6 g | 578301 | NPQH-H-Q8-E-P10 |
| | | For tubing outer diameter of 10 mm | For tubing outside diameter of 10 mm | 52 g | 578302 | NPQH-H-Q10-E-P10 |

Ordering data


Push-in bulkhead connector NPQH-H

| | Design | Pneumatic connection, port 1 | Pneumatic connection, port 2 | Product weight | Part no. | Type |
|--|----------|------------------------------------|------------------------------------|----------------|----------|------------------|
|  | Bulkhead | For tubing outer diameter of 12 mm | For tubing outer diameter of 12 mm | 60.8 g | 578303 | NPQH-H-Q12-E-P10 |


Blanking plug NPQH-P

| | Pneumatic connection, port 1 | Product weight | Part no. | Type |
|--|------------------------------|----------------|----------|----------------|
|  | Push-in sleeve Ø 4 mm | 2.3 g | 578257 | NPQH-P-S4-P10 |
| | Push-in sleeve Ø 6 mm | 3.9 g | 578258 | NPQH-P-S6-P10 |
| | Push-in sleeve Ø 8 mm | 7.4 g | 578259 | NPQH-P-S8-P10 |
| | Push-in sleeve Ø 10 mm | 12 g | 578260 | NPQH-P-S10-P10 |
| | Push-in sleeve Ø 12 mm | 18.5 g | 578261 | NPQH-P-S12-P10 |
| | Push-in sleeve Ø 14 mm | 26.5 g | 578262 | NPQH-P-S14-P10 |

Plug screw NPQH-BK


| | Pneumatic connection, port 1 | Product weight | Part no. | Type |
|--|------------------------------|----------------|----------|-----------------|
|  | Male thread M5 | 0.8 g | 578404 | NPQH-BK-M5-P10 |
| | Male thread M7 | 2.1 g | 578405 | NPQH-BK-M7-P10 |
| | Male thread G1/8 | 4.4 g | 578406 | NPQH-BK-G18-P10 |
| | Male thread G1/4 | 8.9 g | 578407 | NPQH-BK-G14-P10 |
| | Male thread G3/8 | 18.5 g | 578408 | NPQH-BK-G38-P10 |
| | Male thread G1/2 | 33 g | 578409 | NPQH-BK-G12-P10 |

Push-in L-fitting NPQH-L, can be rotated 360°, male thread, with external hex


| | Pneumatic connection, port 1 | Pneumatic connection, port 2 | Product weight | Part no. | Type |
|--|------------------------------|--------------------------------------|----------------|----------|--------------------|
|  | Male thread M5 | For tubing outside diameter of 4 mm | 8.9 g | 578276 | NPQH-L-M5-Q4-P10 |
| | | For tubing outside diameter of 6 mm | 12.2 g | 578277 | NPQH-L-M5-Q6-P10 |
| | Male thread M7 | For tubing outside diameter of 4 mm | 9.3 g | 578278 | NPQH-L-M7-Q4-P10 |
| | | For tubing outside diameter of 6 mm | 12.5 g | 578279 | NPQH-L-M7-Q6-P10 |
| | Male thread G1/8 | For tubing outside diameter of 4 mm | 16.3 g | 578280 | NPQH-L-G18-Q4-P10 |
| | | For tubing outside diameter of 6 mm | 19.3 g | 578281 | NPQH-L-G18-Q6-P10 |
| | | For tubing outside diameter of 8 mm | 22.2 g | 578282 | NPQH-L-G18-Q8-P10 |
| | Male thread G1/4 | For tubing outside diameter of 6 mm | 22.4 g | 578283 | NPQH-L-G14-Q6-P10 |
| | | For tubing outside diameter of 8 mm | 25.8 g | 578284 | NPQH-L-G14-Q8-P10 |
| | | For tubing outside diameter of 10 mm | 33.1 g | 578285 | NPQH-L-G14-Q10-P10 |
| | | For tubing outer diameter of 12 mm | 59.6 g | 578286 | NPQH-L-G14-Q12-P10 |

Ordering data


Push-in L-fitting NPQH-L, can be rotated 360°, male thread, with external hex

| | Pneumatic connection, port 1 | Pneumatic connection, port 2 | Product weight | Part no. | Type |
|---|------------------------------|--------------------------------------|----------------|----------|--------------------|
|  | Male thread G3/8 | For tubing outside diameter of 8 mm | 36.7 g | 578287 | NPQH-L-G38-Q8-P10 |
| | | For tubing outside diameter of 10 mm | 38.2 g | 578288 | NPQH-L-G38-Q10-P10 |
| | | For tubing outer diameter of 12 mm | 58.2 g | 578289 | NPQH-L-G38-Q12-P10 |
| | | For tubing outside diameter of 14 mm | 62.4 g | 578290 | NPQH-L-G38-Q14-P10 |
| | Male thread G1/2 | For tubing outside diameter of 10 mm | 42.6 g | 578291 | NPQH-L-G12-Q10-P10 |
| | | For tubing outer diameter of 12 mm | 66.3 g | 578292 | NPQH-L-G12-Q12-P10 |
| | | For tubing outside diameter of 14 mm | 70.7 g | 578293 | NPQH-L-G12-Q14-P10 |


Push-in L-fitting, long, NPQH-LL, can be rotated 360°, male thread, with external hex

| | Pneumatic connection, port 1 | Pneumatic connection, port 2 | Product weight | Part no. | Type |
|--|------------------------------|--------------------------------------|----------------|----------|---------------------|
|  | Male thread G1/8 | For tubing outside diameter of 4 mm | 25.7 g | 578263 | NPQH-LL-G18-Q4-P10 |
| | | For tubing outside diameter of 6 mm | 31.1 g | 578264 | NPQH-LL-G18-Q6-P10 |
| | | For tubing outside diameter of 8 mm | 36.1 g | 578265 | NPQH-LL-G18-Q8-P10 |
| | Male thread G1/4 | For tubing outside diameter of 6 mm | 30.9 g | 578266 | NPQH-LL-G14-Q6-P10 |
| | | For tubing outside diameter of 8 mm | 36.2 g | 578267 | NPQH-LL-G14-Q8-P10 |
| | | For tubing outside diameter of 10 mm | 54.3 g | 578268 | NPQH-LL-G14-Q10-P10 |
| | Male thread G3/8 | For tubing outside diameter of 10 mm | 50.8 g | 578269 | NPQH-LL-G38-Q10-P10 |

Push-in L-connector NPQH-L


| | Pneumatic connection, port 1 | Pneumatic connection, port 2 | Product weight | Part no. | Type |
|---|-------------------------------------|--------------------------------------|----------------|----------|------------------|
|  | For tubing outer diameter of 4 mm | For tubing outside diameter of 4 mm | 8.9 g | 578270 | NPQH-L-Q4-E-P10 |
| | For tubing outside diameter of 6 mm | For tubing outside diameter of 6 mm | 17.2 g | 578271 | NPQH-L-Q6-E-P10 |
| | For tubing outer diameter of 8 mm | For tubing outside diameter of 8 mm | 22.7 g | 578272 | NPQH-L-Q8-E-P10 |
| | For tubing outer diameter of 10 mm | For tubing outside diameter of 10 mm | 29.2 g | 578273 | NPQH-L-Q10-E-P10 |
| | For tubing outer diameter of 12 mm | For tubing outer diameter of 12 mm | 48.6 g | 578274 | NPQH-L-Q12-E-P10 |
| | For tubing outer diameter of 14 mm | For tubing outside diameter of 14 mm | 61.3 g | 578275 | NPQH-L-Q14-E-P10 |

Push-in T-fitting NPQH-T, can be rotated 360°, male thread, with external hex

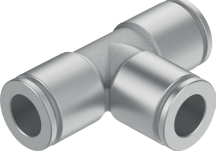
| | Pneumatic connection, port 1 | Pneumatic connection, port 2 | Product weight | Part no. | Type |
|---|------------------------------|-------------------------------------|----------------|----------|------------------|
|  | Male thread M5 | For tubing outside diameter of 4 mm | 13.9 g | 578390 | NPQH-T-M5-Q4-P10 |

Ordering data

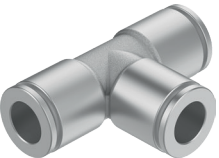
Push-in T-fitting NPQH-T, can be rotated 360°, male thread, with external hex

| | Pneumatic connection, port 1 | Pneumatic connection, port 2 | Product weight | Part no. | Type |
|--|------------------------------|--------------------------------------|----------------|----------|--------------------|
|  | Male thread M5 | For tubing outside diameter of 6 mm | 20.7 g | 578391 | NPQH-T-M5-Q6-P10 |
| | Male thread G1/8 | For tubing outside diameter of 4 mm | | 578392 | NPQH-T-G18-Q4-P10 |
| | Male thread G1/8 | For tubing outside diameter of 6 mm | 25.2 g | 578393 | NPQH-T-G18-Q6-P10 |
| | | For tubing outside diameter of 8 mm | 30.7 g | 578394 | NPQH-T-G18-Q8-P10 |
| | Male thread G1/4 | For tubing outside diameter of 6 mm | 29.9 g | 578395 | NPQH-T-G14-Q6-P10 |
| | | For tubing outside diameter of 8 mm | 34.1 g | 578396 | NPQH-T-G14-Q8-P10 |
| | | For tubing outside diameter of 10 mm | 44.4 g | 578397 | NPQH-T-G14-Q10-P10 |
| | | For tubing outer diameter of 12 mm | 77.4 g | 578398 | NPQH-T-G14-Q12-P10 |
| | Male thread G3/8 | For tubing outside diameter of 8 mm | 46.7 g | 578399 | NPQH-T-G38-Q8-P10 |
| | | For tubing outside diameter of 10 mm | 50.1 g | 578400 | NPQH-T-G38-Q10-P10 |
| | | For tubing outer diameter of 12 mm | 75.9 g | 578401 | NPQH-T-G38-Q12-P10 |
| | Male thread G1/2 | For tubing outside diameter of 10 mm | 55.1 g | 578402 | NPQH-T-G12-Q10-P10 |
| | | For tubing outer diameter of 12 mm | 84.2 g | 578403 | NPQH-T-G12-Q12-P10 |


Push-in T-connector NPQH-T


| | Pneumatic connection, port 1 | Pneumatic connection, port 2 | Product weight | Part no. | Type |
|--|-------------------------------------|--------------------------------------|----------------|----------|------------------|
|  | For tubing outer diameter of 4 mm | For tubing outside diameter of 4 mm | 12.5 g | 578380 | NPQH-T-Q4-E-P10 |
| | For tubing outside diameter of 6 mm | For tubing outside diameter of 6 mm | 23.2 g | 578381 | NPQH-T-Q6-E-P10 |
| | For tubing outer diameter of 8 mm | For tubing outside diameter of 8 mm | 28.6 g | 578382 | NPQH-T-Q8-E-P10 |
| | For tubing outer diameter of 10 mm | For tubing outside diameter of 10 mm | 39.8 g | 578383 | NPQH-T-Q10-E-P10 |
| | For tubing outer diameter of 12 mm | For tubing outer diameter of 12 mm | 63.2 g | 578384 | NPQH-T-Q12-E-P10 |
| | For tubing outer diameter of 14 mm | For tubing outside diameter of 14 mm | 79.9 g | 578385 | NPQH-T-Q14-E-P10 |

Push-in T-connector NPQH-T, reducing

| | Pneumatic connection, port 1 | Pneumatic connection, port 2 | Product weight | Part no. | Type |
|--|-------------------------------------|--------------------------------------|----------------|----------|--------------------|
|  | For tubing outside diameter of 6 mm | For tubing outside diameter of 4 mm | 20.9 g | 578386 | NPQH-T-Q6-Q4-P10 |
| | For tubing outer diameter of 8 mm | For tubing outside diameter of 6 mm | 27.9 g | 578387 | NPQH-T-Q8-Q6-P10 |
| | For tubing outer diameter of 10 mm | For tubing outside diameter of 8 mm | 39.6 g | 578388 | NPQH-T-Q10-Q8-P10 |
| | For tubing outer diameter of 12 mm | For tubing outside diameter of 10 mm | 61.8 g | 578389 | NPQH-T-Q12-Q10-P10 |

Ordering data

| Push-in Y-connector NPQH-Y | | | | | |
|---|-------------------------------------|--------------------------------------|----------------|---------------|-------------------------|
| | Pneumatic connection, port 1 | Pneumatic connection, port 2 | Product weight | Part no. | Type |
|  | For tubing outside diameter of 6 mm | For tubing outside diameter of 6 mm | 32 g | 578410 | NPQH-Y-Q6-E-P10 |
| | For tubing outer diameter of 8 mm | For tubing outside diameter of 8 mm | 44.9 g | 578411 | NPQH-Y-Q8-E-P10 |
| | For tubing outer diameter of 10 mm | For tubing outside diameter of 10 mm | 65.9 g | 578412 | NPQH-Y-Q10-E-P10 |

| Push-in Y-connector NPQH-Y, reducing | | | | | |
|---|-------------------------------------|-------------------------------------|----------------|---------------|--------------------------|
| | Pneumatic connection, port 1 | Pneumatic connection, port 2 | Product weight | Part no. | Type |
|  | For tubing outside diameter of 6 mm | For tubing outside diameter of 4 mm | 35.9 g | 578413 | NPQH-Y-Q6-Q4-P10 |
| | For tubing outer diameter of 8 mm | For tubing outside diameter of 6 mm | 52.6 g | 578414 | NPQH-Y-Q8-Q6-P10 |
| | For tubing outer diameter of 10 mm | For tubing outside diameter of 8 mm | 78.1 g | 578415 | NPQH-Y-Q10-Q8-P10 |