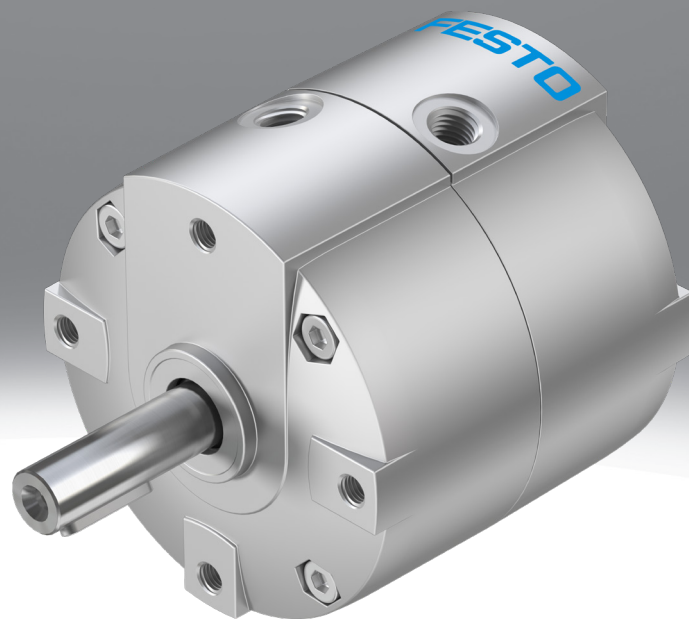


Semi-rotary drive DRVS

FESTO



Characteristics

At a glance

[Link](#)  [drvs](#)

- Double-acting semi-rotary drive with vane
- Lighter than other semi-rotary drives
- Modern and compact design
- Fixed swivel angle
- The swivel angle can be adjusted with the help of accessories
- Housing protected against splash water and dust
- No metallic fixed stop

Diagrams

[Link](#)  [drvs](#)



The diagrams shown in this document are also available online. These can be used to display precise values.

Nominal swivel angle [°]

- [90] 90°
- [180] 180°
- [270] 270°

Cushioning

End-position cushioning has the following functions:

- Reduces kinetic energy in the end positions
- Avoids vibrations
- Reduces noise generation

[P] Elastic cushioning rings/plates on both sides

The drive is fitted with elastic polymer end-position cushioning.

Benefits:

- No adjustment required
- Saves time

EU certification

[EX4] II 2GD

- ATEX category for gas II 2G
- Ex ignition protection type for gas Ex h IICT4 Gb X
- ATEX category for dust II 2D
- Ex ignition protection type for dust Ex h IICT120°C Db X
- Explosion-proof ambient temperature range $0^{\circ}\text{C} \leq T_a \leq +60^{\circ}\text{C}$

Type code

001	Series	
DRVS	Semi-rotary drive, double-acting	

002	Size [mm]	
6	6	
8	8	
12	12	
16	16	
25	25	
32	32	
40	40	

003	Nominal swivel angle [°]	
90	90 deg	
180	180 deg	
270	270 deg	

004	Cushioning	
P	Elastic cushioning rings/plates on both sides	

005	EU certification	
	None	
EX4	II 2GD	

Datasheet

General technical data

Size	6	8	12	16	25	32	40
Design	Vane						
Cushioning	Elastic cushioning rings/plates at both ends						
Type of mounting	Via female thread						
Mounting position	optional						
Nominal swivel angle [°]	90, 180		90, 180, 270				
Cushioning angle	0.5 deg						
Repetition accuracy	1 deg						

Swivel frequency

Size	6	8	12	16	25	32	40								
Nominal swivel angle [°]	90	180	90	180	270	90	180	270	90	180	270	90	180	270	
Max. swivel frequency at 0.6 MPa (6 bar, 87 psi)	3 Hz		2 Hz	3 Hz	2 Hz	3 Hz	2 Hz	3 Hz	2 Hz	3 Hz	2 Hz	3 Hz	2 Hz	3 Hz	2 Hz

Operating and environmental conditions

Size	6	8	12	16	25	32	40
Operating medium	Compressed air to ISO 8573-1:2010 [7:4:4]						
Note on operating and pilot medium	Lubricated operation possible (in which case lubricated operation will always be required)						
Operating pressure	0.35 ... 0.8 MPa		0.25 ... 0.8 MPa		0.2 ... 0.8 MPa		
Operating pressure	3.5 ... 8 bar		2.5 ... 8 bar		2 ... 8 bar		
Operating pressure	50.75 ... 116 psi		36.25 ... 116 psi		29 ... 116 psi		
Ambient temperature ¹⁾	0 ... 60°C						
Corrosion resistance class CRC ²⁾	1 - Low corrosion stress						

1) Note the operating range of the proximity switches

2) More information www.festo.com/x/topic/kbk

ATEX

Size ¹⁾	6	8	12	16	25	32	40
ATEX category gas	II 2G						
Explosion ignition protection type for gas	Ex h IIC T4 Gb X						
ATEX category dust	II 2D						
Explosion ignition protection type for dust	Ex h IIIC T120°C Db X						
Explosion ambient temperature	0°C ≤ Ta ≤ +60°C						
CE mark (see declaration of conformity) ²⁾	To EU Explosion Protection Directive (ATEX)						
UKCA marking (see declaration of conformity)	To UK EX instructions						
Explosion protection certification outside the EU	EPL Db (GB) EPL Gb (GB)						

1) Note the ATEX certification of the accessories

2) Note the ATEX certification of the accessories

Weight – DRVS-6 ... 16

Size	6	8	12	16				
Nominal swivel angle [°]	90	180	90	180	270	90	180	270
Product weight	38 g	68 g	154 g	152 g	150 g	272 g	270 g	268 g

Weight – DRVS-25 ... 40

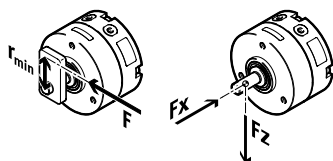
Size	25	32	40						
Nominal swivel angle [°]	90	180	270	90	180	270	90	180	270
Product weight	502 g	494 g	486 g	928 g	912 g	896 g	1,530 g	1,500 g	1,470 g

Datasheet

Materials

Size	6	8	12	16	25	32	40
Material housing	Anodised wrought aluminium alloy		Painted die cast aluminium				
Material drive shaft	High-alloy stainless steel			Nickel-plated steel			
Material seals	TPE-U(PU)						
Note on materials	RoHS-compliant						
LABS (PWIS) conformity	VDMA24364-B2-L						
Cleanroom suitability, measured according to ISO 14644-14	Class 5 according to ISO 14644-1						

Forces and torques



If the semi-rotary drives DRVS are used without a stop system or the mass moment of inertia is exceeded, external stops must be used. A minimum radius relative to the output shaft (r_{min}) must be observed. The stop force must not exceed the maximum force.

r_{min} = Minimum radius to the output shaft

F = Stop force

F_x = Axial force

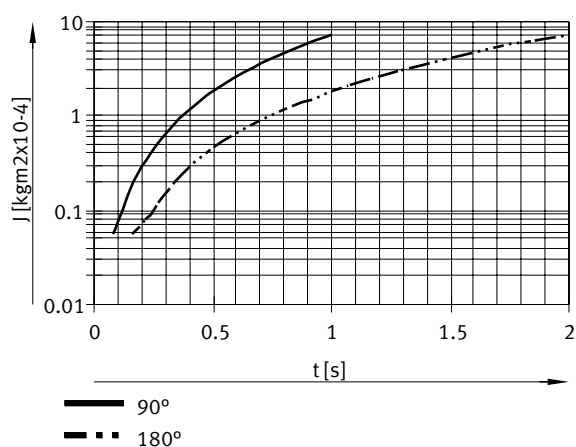
F_z = Radial force

Size	6	8	12	16	25	32	40
Theoretical torque at 0.6 MPa (6 bar, 87 psi)	0.15 Nm	0.35 Nm	1 Nm	2 Nm	5 Nm	10 Nm	20 Nm
Permissible stop radius	≥10 mm		≥15 mm	≥17 mm	≥21 mm	≥28 mm	≥40 mm
Max. stop force	15 N	30 N	90 N	160 N	320 N	480 N	650 N
Max. axial force ¹⁾	10 N		20 N	25 N	40 N	75 N	120 N
Max. radial force ²⁾	15 N	20 N	25 N	30 N	60 N	200 N	350 N
Permissible mass moment of inertia	0.00065 kgm ²	0.0013 kgm ²	0.005 kgm ²	0.01 kgm ²	0.012 kgm ²	0.02 kgm ²	0.035 kgm ²

1) The axis of rotation and the centre of the drive shaft are the point of reference for the forces

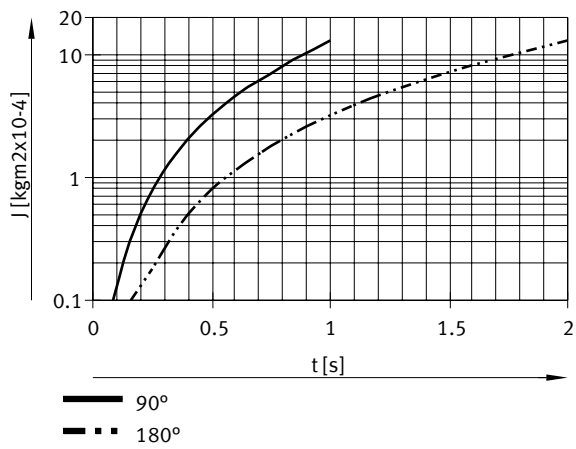
2) The axis of rotation and the centre of the drive shaft are the point of reference for the forces

Mass moment of inertia J as a function of swivel time t – DRVS-6

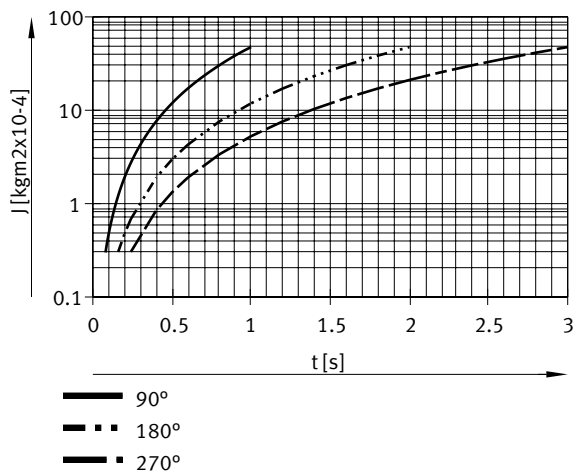


Datasheet

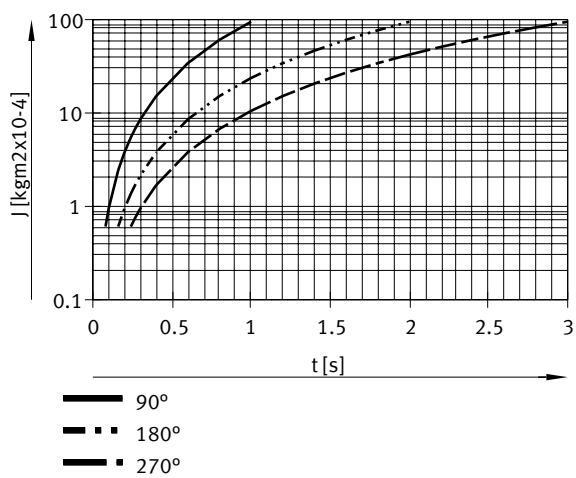
Mass moment of inertia J as a function of swivel time t – DRVS-8



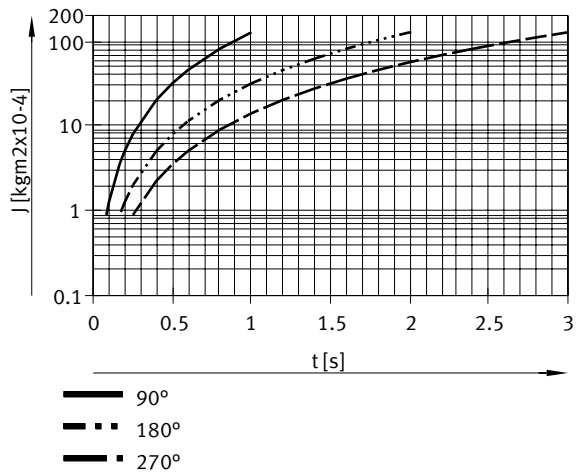
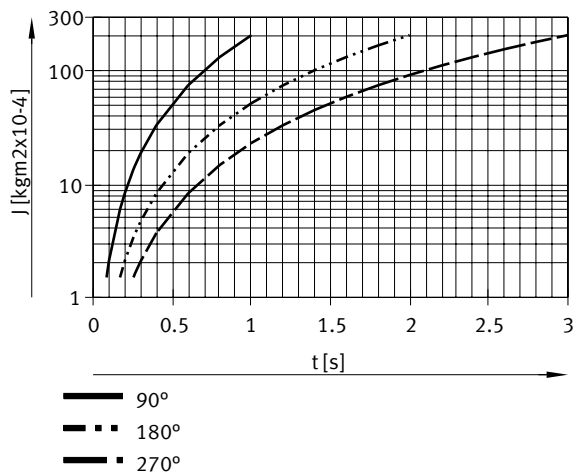
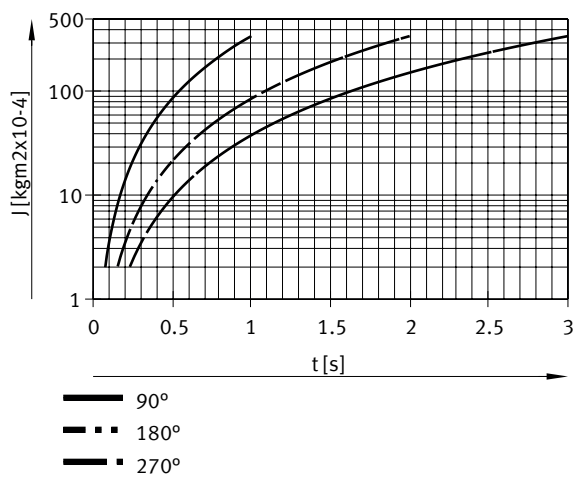
Mass moment of inertia J as a function of swivel time t – DRVS-12



Mass moment of inertia J as a function of swivel time t – DRVS-16



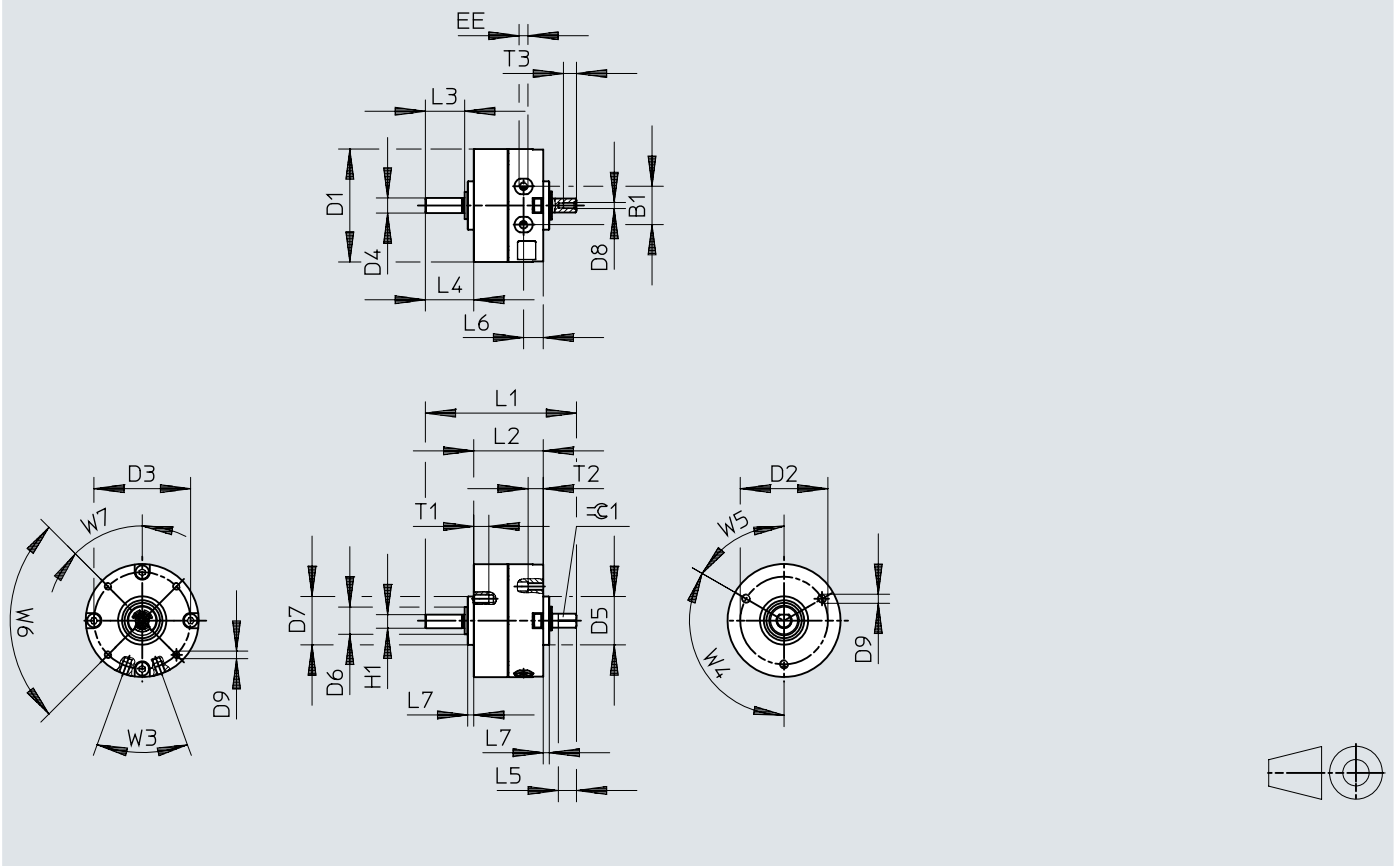
Datasheet

Mass moment of inertia J as a function of swivel time t – DRVS-25Mass moment of inertia J as a function of swivel time t – DRVS-32Mass moment of inertia J as a function of swivel time t – DRVS-40

Dimensions

Dimensions – DRVS-6 ... 8

Download CAD data www.festo.com



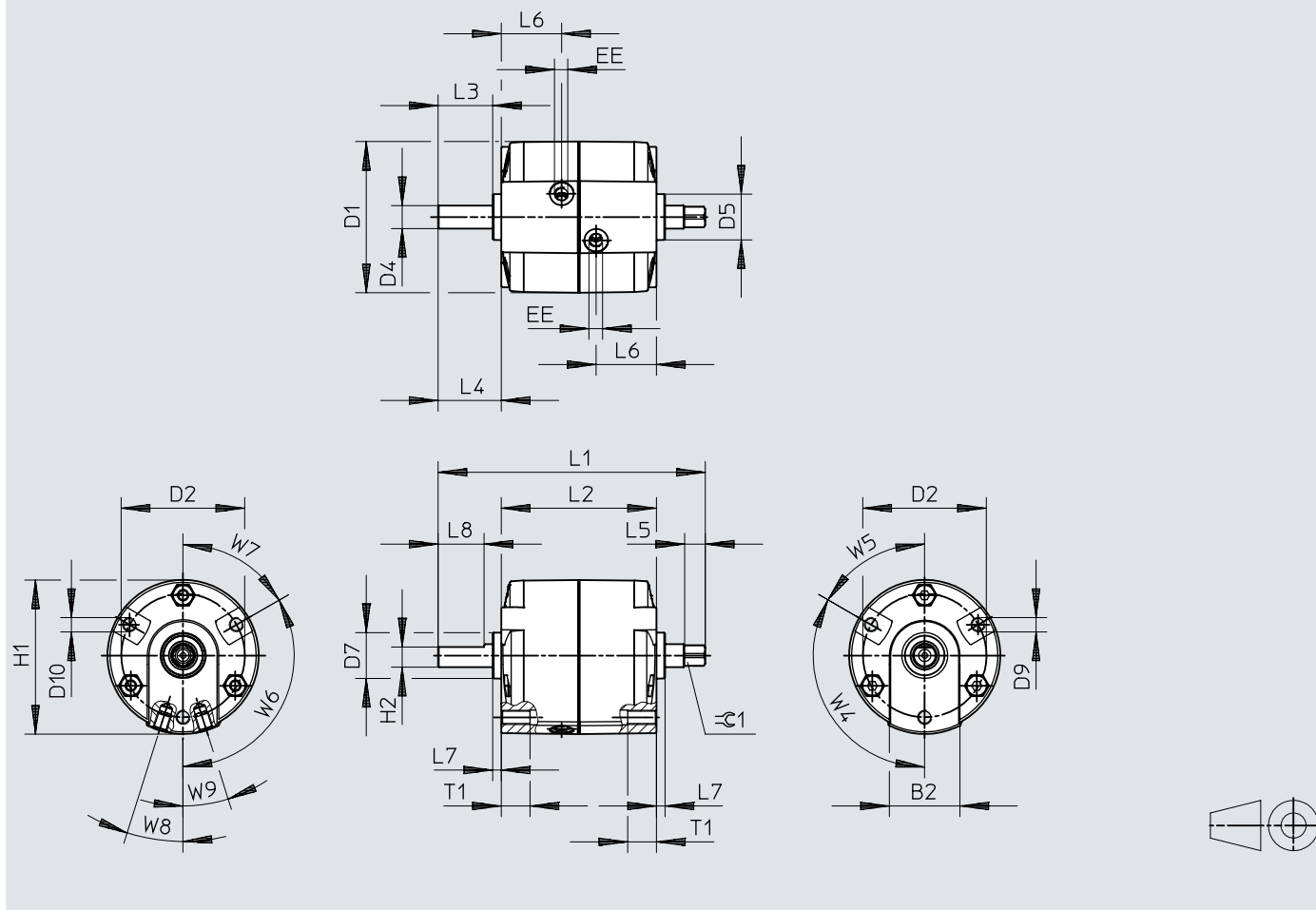
	B1	D1 ∅ ±0,2	D2 ∅ ±0,1	D3 ∅ ±0,1	D4 ∅ g7	D5 ∅ f8	D6 ∅	D7 ∅ f8	D8	D9
DRVS-6	10	29,4	24	25	4	14	8	14	M2	M3
DRVS-8	12,8	37,4	29	32	5	16	9	16	M2	M3

	D10	EE	H1 -0,2	L1	L2	L3	L4	L5 -0,2	L6	L7
DRVS-6	M2	M3	3,5	43	21	10	13	5	6	2
DRVS-8	M2,5	M3	4,5	50	23	13	16	6	6,5	2

	T1 +0,5	T3 +0,5	W3	W4	W5	W6	W7	∠ 1	
DRVS-6	5	3,5	40°	120°	60°	90°	45°	3	
DRVS-8	5	4,3						3,5	

Dimensions

Dimensions – DRVS-12 ... 16

Download CAD data www.festo.com

	B2	D1 ∅	D2 ∅ ±0,2	D4 ∅ g7	D5 ∅ ±0,1	D7 ∅ ±0,1	D9	EE	H1
DRVS-12	24	45,5	36	6	14	14	M4	M5	46,3
DRVS-16	24,5	52,7	43	8	16	16	M5	M5	53,7

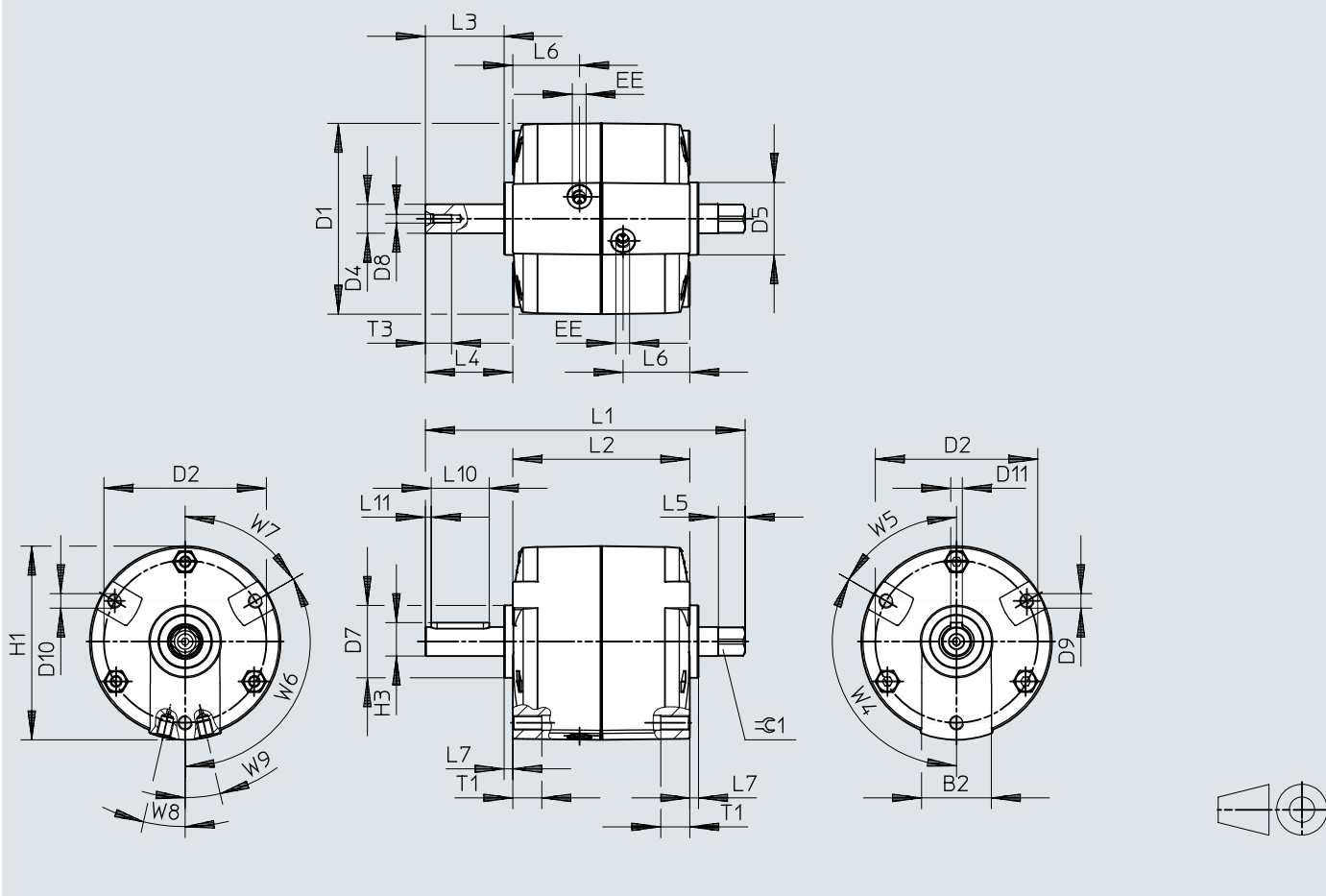
	H2 ±0,1	L1	L2 +0,6/-0,2	L3	L4	L5	L6	L7 +0,1/-0,1	L8 +0,4
DRVS-12	5	73+0,2/-0,1	40,5	17	20+0,4/-0,6	9±0,1	14,8	3	14
DRVS-16	7	93+0,2/-0,2	54	19	22+0,4/-0,7	7,2 ^{+0,1}	21	3	16

	T1	W4	W5	W6	W7	W8	W9	∠C 1
DRVS-12	8	120°	60°	120°	60°	19,5°	19,5°	4,5 _{h11}
DRVS-16	10					17,5°	17,5°	6 _{-0,1}

Dimensions

Dimensions – DRVS-25

Download CAD data www.festo.com



	B2	D1 ∅	D2 ∅ ±0,2	D4 ∅ g7	D5 ∅ ±0,1	D7 ∅ ±0,1	D8	D9
DRVS-25	24	65,7	56	10	25	25	M3	M5

	D11	EE	H1	H3	L1	L2	L3	L4
	N9			-0,2	+0,2/-0,3	+0,3/-0,2		+0,3/-0,4
DRVS-25	4	M5	66,7	11,5	110,2	61	27,1	30,1

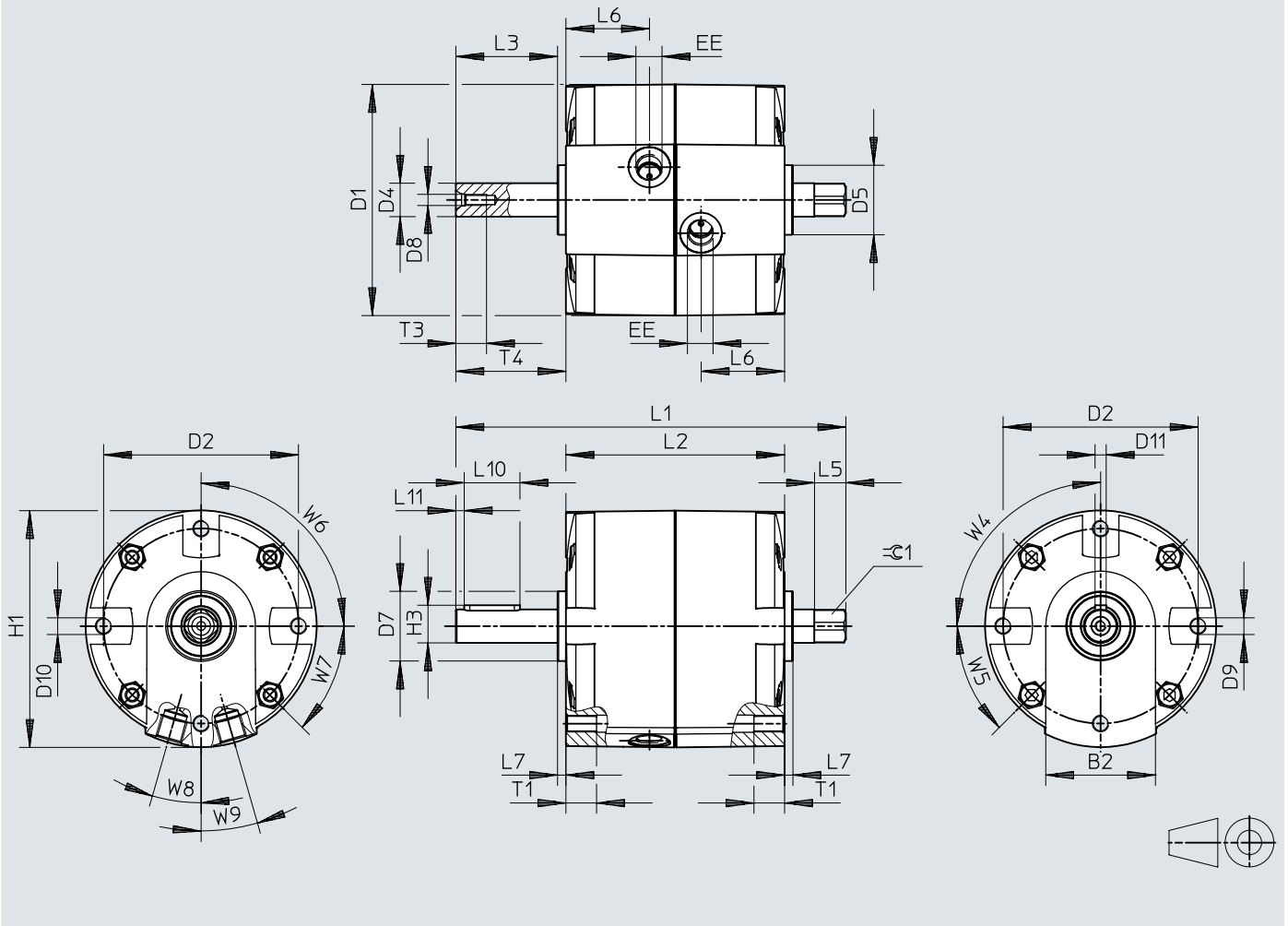
	L5	L6	L7	L10	L11	T1	T3	W4
			+0,1/-0,1	+0,1			+3	
DRVS-25	9,2	23	3	20	2	10	9	120°

	W5	W6	W7	W8	W9	⊖C 1	1)
						-0,1	
DRVS-25	60°	120°	60°	13°	13°	8	A4x4x20

1) Feather key included in the scope of delivery

Dimensions

Dimensions – DRVS-32 ... 40

Download CAD data www.festo.com

Dimensions

	B2	D1 ∅	D2 ∅ ±0,2	D4 ∅ g7	D5 ∅ ±0,1	D7 ∅ ±0,1	D8	D9
DRVS-32	39	83	70	12	25	25	M4	M6
DRVS-40	42	100,1	87	17	30	30	M5	M8

	D11 N9	EE	H1	H3 -0,2	L1 +0,2/-0,3	L2	L3	L4 +0,3/-0,6
DRVS-32	4	G1/8	85	13,5	140	78,5+0,5/-0,1	36,5	39,5
DRVS-40	5	G1/8	102,6	19	170	93+0,4	50,5	53,5

	L6	L7	L10	L11	T1	T3 +3	W4	W5
DRVS-32	30	3+0,1/-0,2	20+0,1	3	11	11	90°	45°
DRVS-40	37	3+0,2	36,1+0,3	5	13+3	13		

	W6	W7	W8	W9	≅ 1 h11	1)
DRVS-32	90°	45°	16°	16°	10	A4x4x20
DRVS-40			14,5°	14,5°	13	A5x5x36

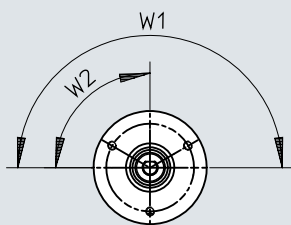
1) Feather key according to DIN 6885 included in the scope of delivery

Dimensions

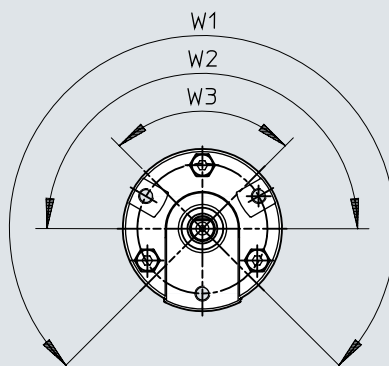
Dimensions – DRVS – shaft position

Download CAD data www.festo.com

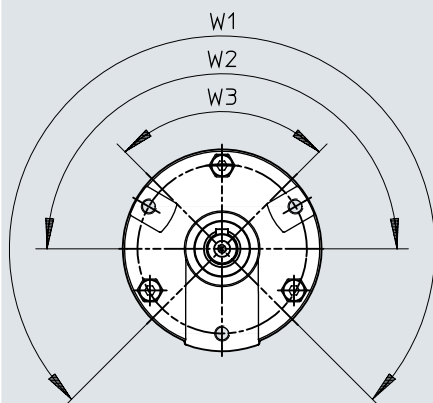
DRVS-6/8-...



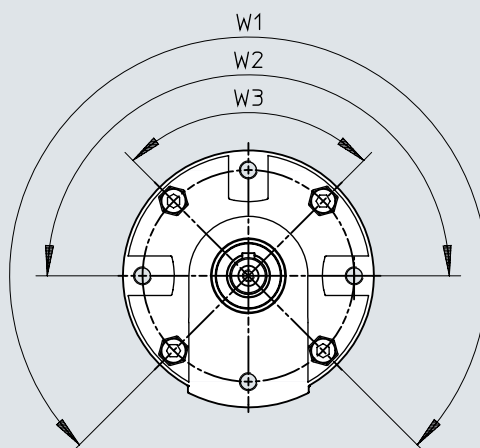
DRVS-12/16-...



DRVS-25-...



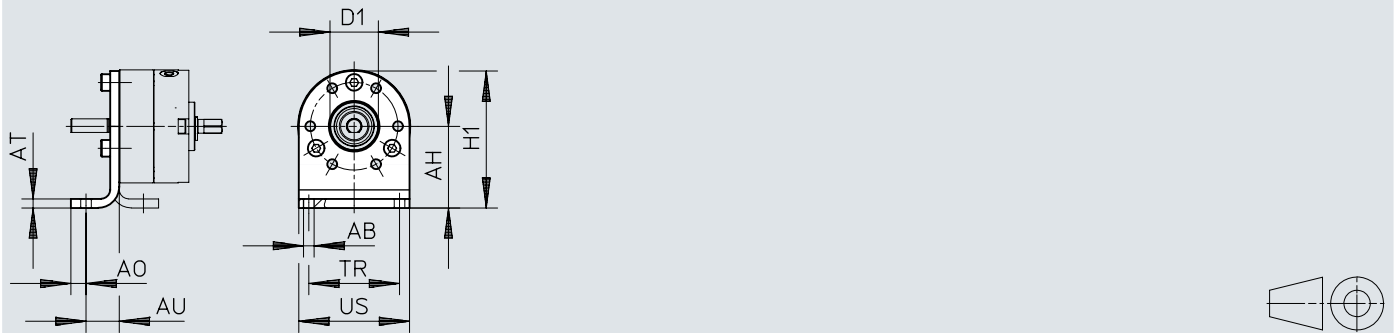
DRVS-32/40-...



	W1	W2	W3
DRVS-6 ... 8	$180^{\circ} +5$	$90^{\circ} +5$	–
DRVS-12 ... 40	270°	180°	90°

Dimensions

Dimensions – Foot mounting DAMH-Q12-6 ... 8

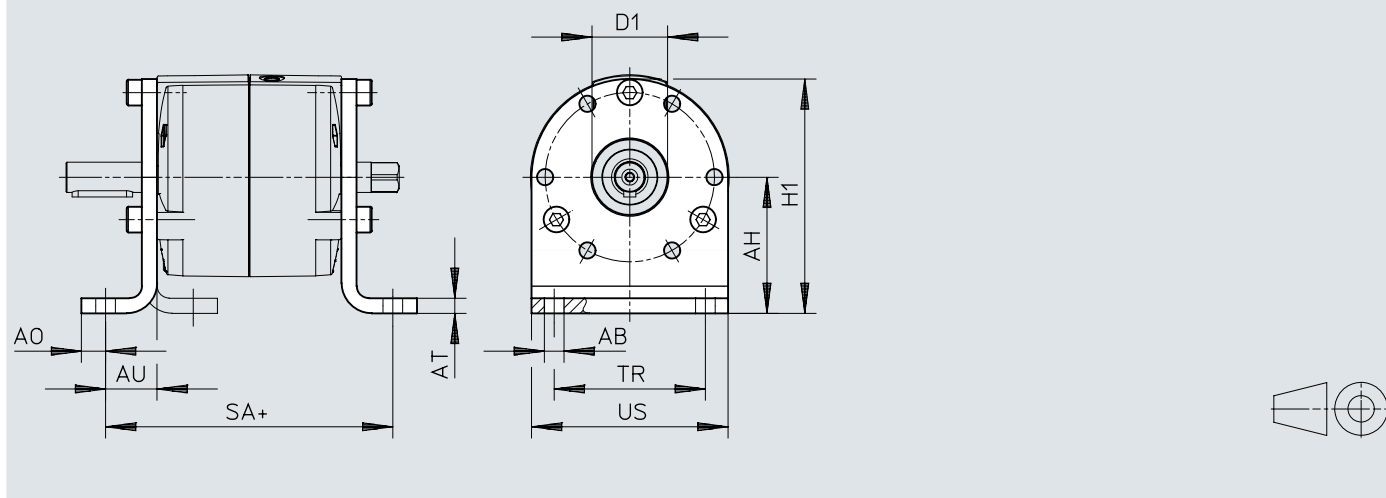
Download CAD data www.festo.com

[1] For DRVS-6 ... 8, the foot mountings can only be fitted at the front.

	AB ∅ H13	AH	AO	AT	AU	D1 ∅	H1	TR	US
DAMH-Q12-6	3,5	22±0,2	4	3	11	14 ^{+0,05}	36,8±0,5/-0,3	20	29,6±0,3/-0,2
DAMH-Q12-8	3,5	27±0,2	5	3	11	16 ^{+0,05}	45,3±0,4	30	36,6±0,3

Dimensions

Dimensions – Foot mounting DAMH-Q12-12 ... 25

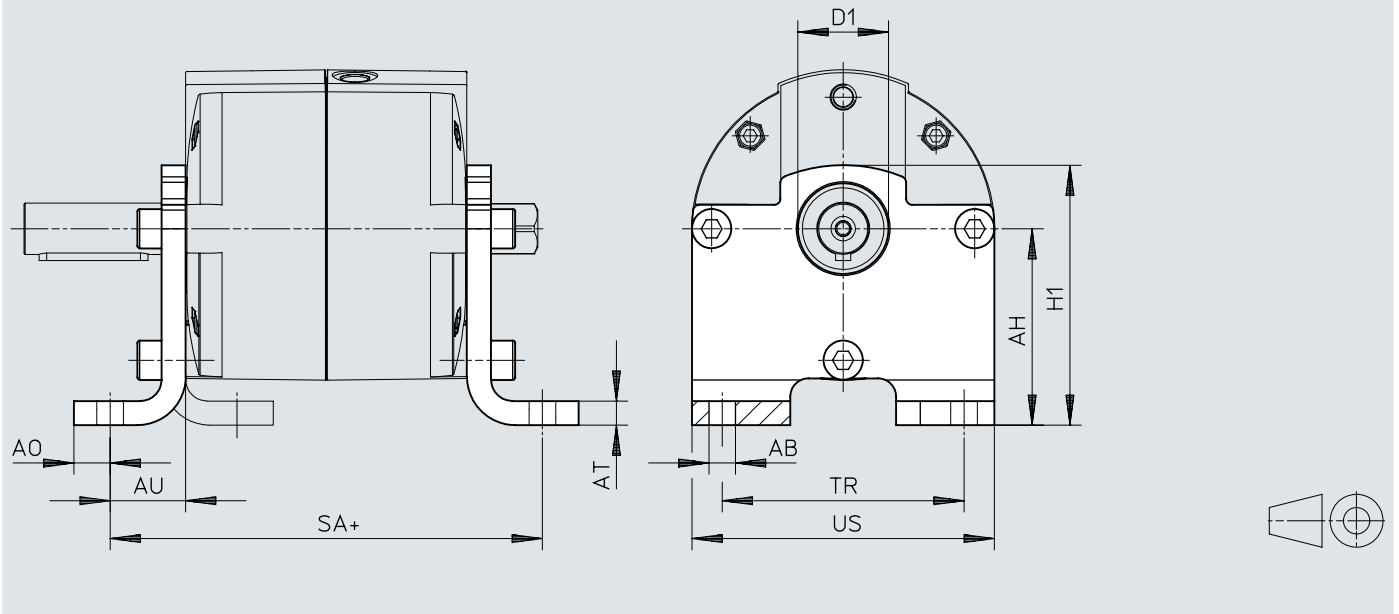
Download CAD data www.festo.com

	AB ∅ H13	AH	AO	AT	AU	D1 ∅	H1	SA	TR	US
DAMH-Q12-12	5,5	30±0,2	6	4	14	14 ^{H10}	52+0,5/-0,3	68,5	30	44 _{-0,5}
DAMH-Q12-16	5,5	35±0,25	7	4	15	16 ^{H10}	61+0,5/-0,3	84	40	52 _{-0,5}
DAMH-Q12-25	6,5	45±0,25	8	5	17	25 ^{H10}	77,5+0,5/-0,3	95	50	65 _{-0,5}

Dimensions

Dimensions – Foot mounting DAMH-Q12-32 ... 40

Download CAD data www.festo.com

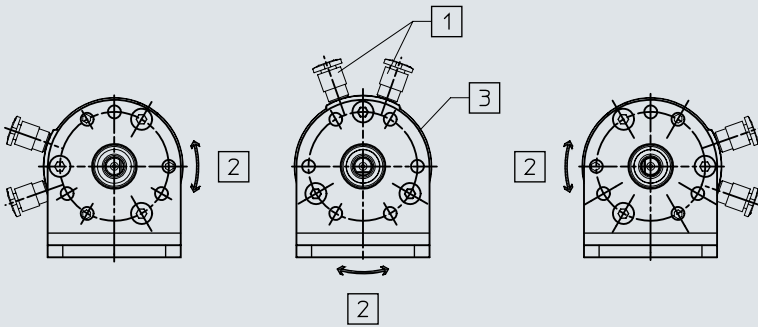


	AB ∅ H13	AH	AO	AT	AU	D1 ∅	H1	SA	TR	US
DAMH-Q12-32	8,8	55±0,3	11	6	21	25 ^{H10}	73±0,5	122,5	60	81,5 _{-0,5}
DAMH-Q12-40	8,8	65±0,3	12	8	25	30 ^{H10}	86±0,5	143	80	100±0,3

Dimensions

Dimensions – Foot mounting DAMH-Q12 – Mounting variants in conjunction with supply ports

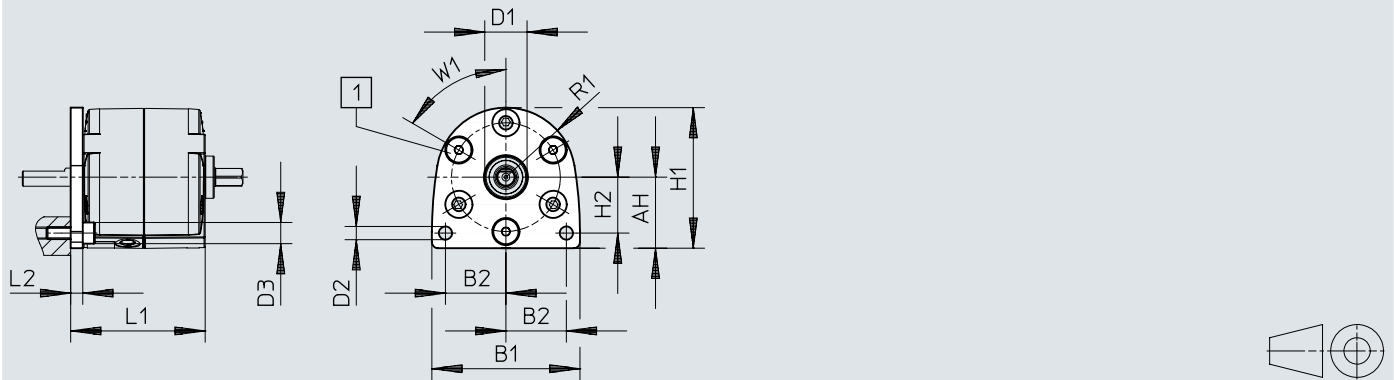
Download CAD data www.festo.com



- [1] Compressed air supply ports (three mounting variants are possible in combination with the foot mounting DAMH)
- [2] Mid-position of the swivel angle
- [3] Shaft position in standard position (position swivel angle)

Dimensions

Dimensions – Flange mounting DAMF-Q12-12 ... 25

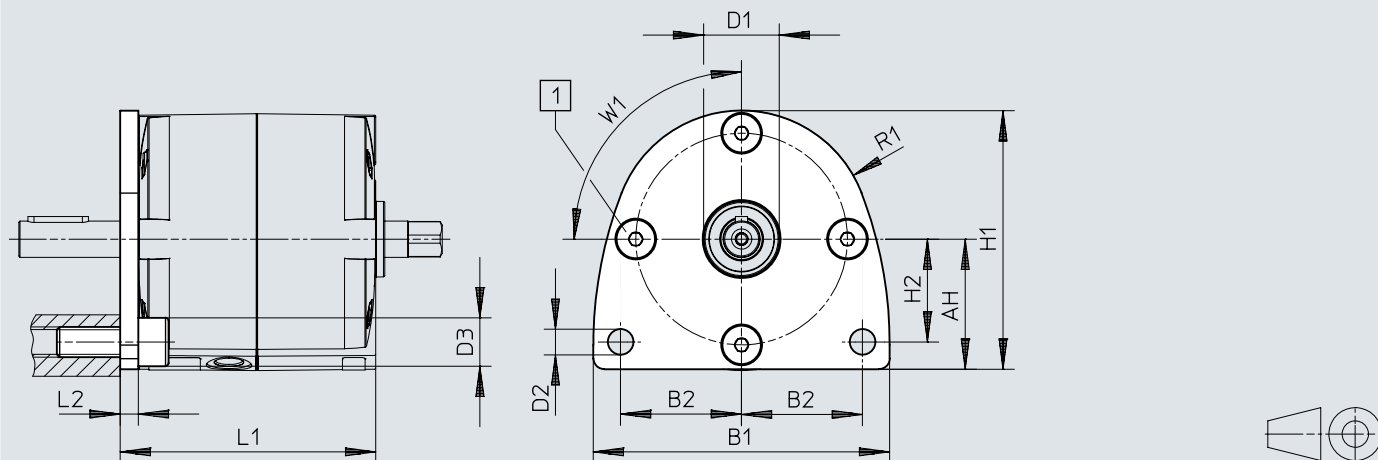
Download CAD data www.festo.com

- [1] Compressed air ports
 [2] Mounting in combination with compressed air supply ports for DRVS-12 ... 25 possible every 60°

	AH	B1	B2	D1 ∅ H10	D2 ∅ H13	D3 ∅ max.	H1	H2	L1	L2	R1	W1
DAMF-Q12-12	23,5±0,2	49±0,4	20	14	4,4	8,5	46,5+0,4/-0,3	18,5	44,5	4	23	60°
DAMF-Q12-16	28±0,2	59±0,4	23	16	5,4	8,5	56±0,4	20,5	58	4	28	60°
DAMF-Q12-25	34,5±0,2	74±0,4	30	25	6,5	10	69±0,4	23	66	5	34,5	60°

Dimensions

Dimensions – Flange mounting DAMF-Q12-32 ... 40

Download CAD data www.festo.com

[1] Compressed air ports

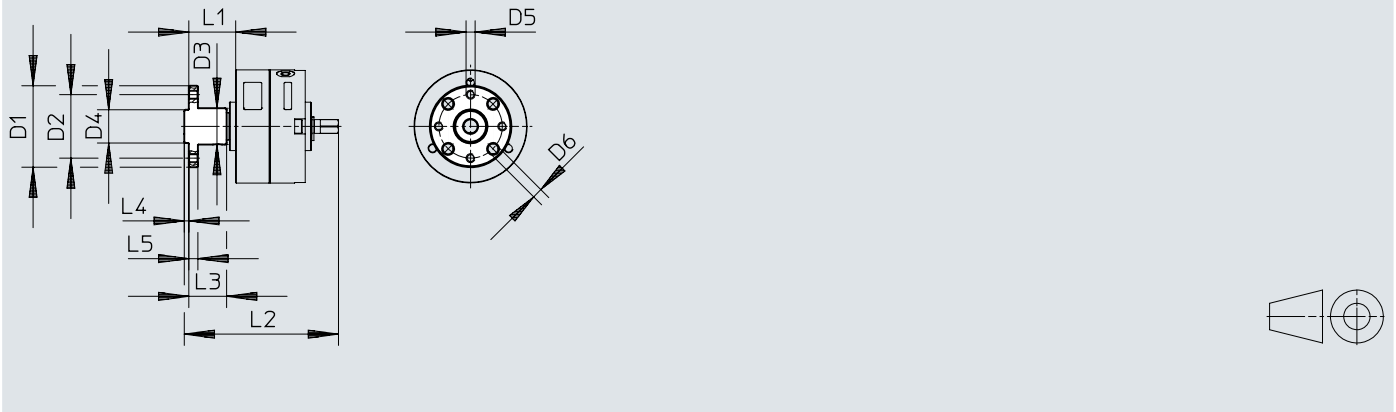
[2] Mounting in combination with compressed air supply ports for DRVS-32 ... 40 possible every 90°

	AH	B1	B2	D1 ∅ H10	D2 ∅ H13	D3 ∅ max.	H1	H2	L1	L2	R1	W1
DAMF-Q12-32	43±0,2	98±0,5	40	25	8,5	16	85,5+0,5/-0,4	34	84,5	6	42,5	90°
DAMF-Q12-40	53+0,3/-0,2	120±0,5	50	30	8,5	18	106+0,5/-0,3	40	99	6	53	90°

Dimensions

Dimensions – Push-on flange FWSR

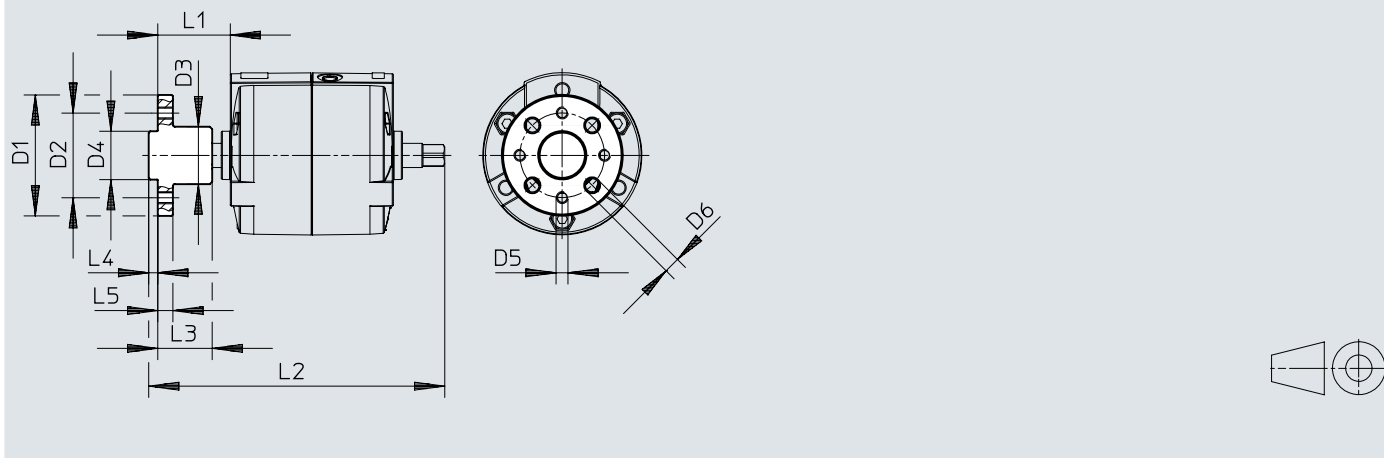
Download CAD data www.festo.com



	D1 ∅	D2 ∅	D3 ∅ +0,4	D4 ∅	D5	D6 ∅ H13	L1	L2	L3	L4	L5
FWSR-6	23	16	10	8 _{g7}	M3	3,4	13,5±0,7	45	10,5	1,5 _{-0,2}	3
FWSR-8	27	21	12	11 _{g7}	M3	3,4	15,5±0,7	51	12,5	1,5 _{-0,2}	3

Dimensions

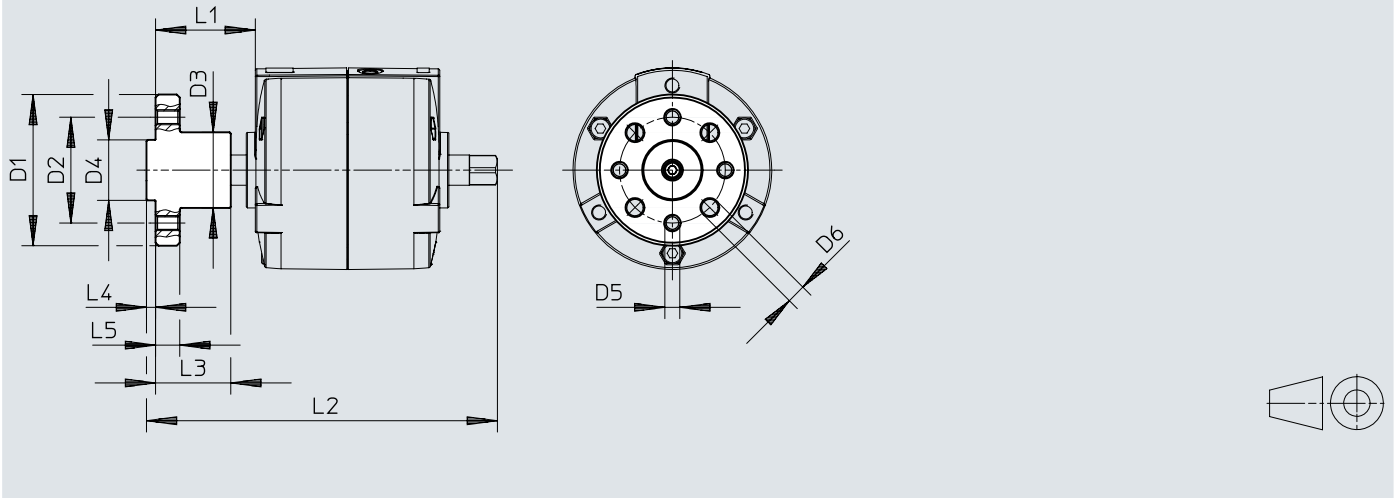
Dimensions – Push-on flange DARF-Q12-12 ... 16

Download CAD data www.festo.com

	D1 ∅	D2 ∅	D3 ∅ +0,4	D4 ∅	D5	D6 ∅ H13	L1	L2	L3	L4	L5
DARF-Q12-12	35 _{-0,5}	25	16	14 _{f8}	M3	3,4	21 _{+0,5/-0,7}	77	16	3 _{-0,1}	3
DARF-Q12-16	40 _{-0,5}	28	19	16 _{f8}	M4	4,5	23 _{+0,5/-0,8}	97	18	3 _{-0,1}	5

Dimensions

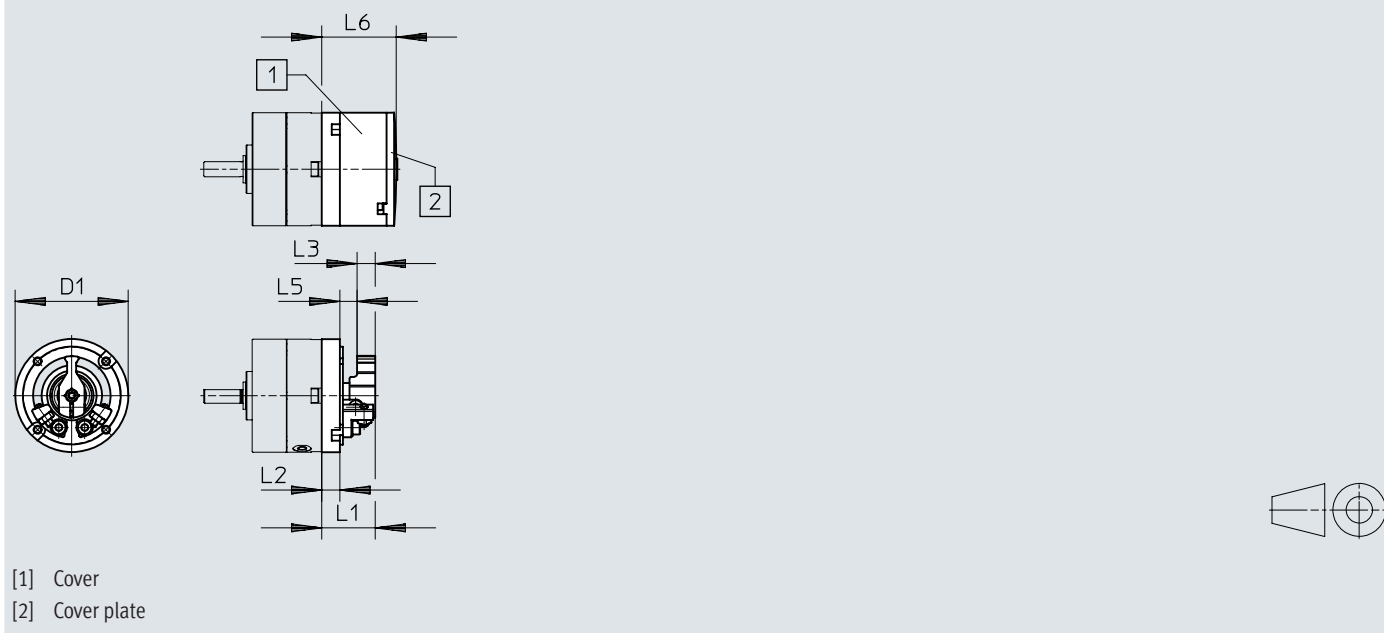
Dimensions – Push-on flange DARF-Q12-25 ... 40

Download CAD data www.festo.com

	D1 ∅	D2 ∅	D3 ∅ +0,4	D4 ∅	D5	D6 ∅ H13	L1	L2	L3	L4	L5
DARF-Q12-25	50 _{-0,5}	35	25	20 _{f8}	M5	5,5	33 _{+0,4/-0,5}	116,1	24,9	3 _{-0,1}	8
DARF-Q12-32	60 _{-0,5}	45	25	28 _{f8}	M6	6,5	42,6 _{+0,4/-0,7}	147,1	26,1	4 _{-0,1}	10
DARF-Q12-40	70 _{-0,5}	54	30	36 _{f8}	M8	9	57,1 _{+0,4/-0,7}	178,6	44,6	5 _{-0,1}	11

Dimensions

Dimensions – Stop kit KSM

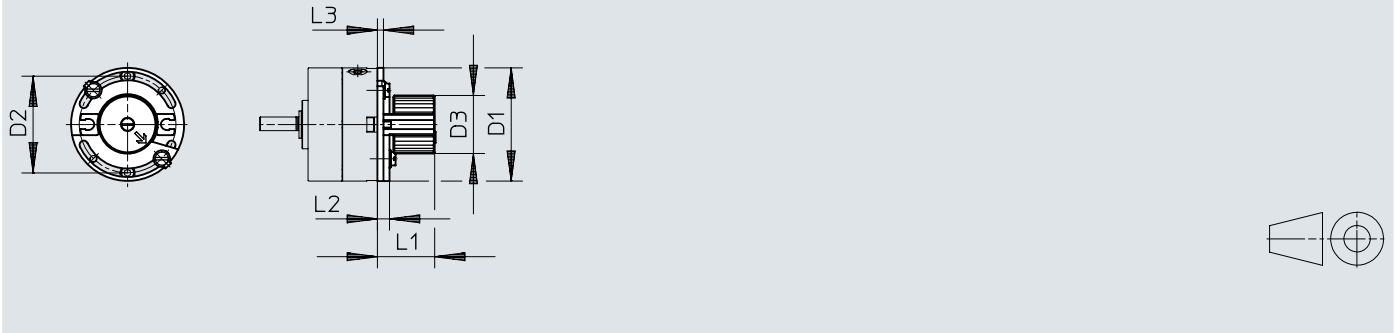
Download CAD data www.festo.com

	D1 ∅ ±0,2	L1 +0,4	L2 +0,3	L3	L5	L6 +0,2/-0,6
KSM-6	29,4	11,2	3,2	5	2,5	17,8
KSM-8	37,4	17	6	6	5,7	24,9

Dimensions

Dimensions – Mounting kit WSM

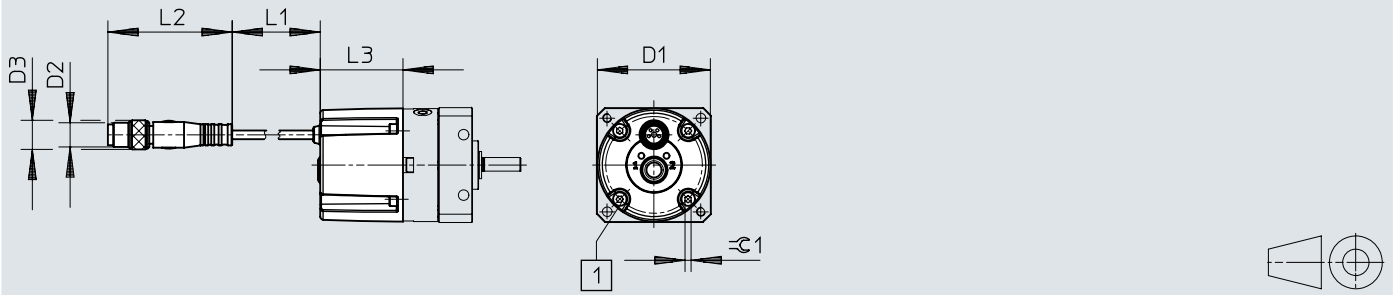
Download CAD data www.festo.com



	D1 ∅ ±0,2	D2 ∅ ±0,2	D3 ∅	L1 ±1	L2	L3
WSM-6-SME-10	29,4	25	17,3	19,5	4	2
WSM-8-SME-10	37,4	32	19,3	19,5	4	2

Dimensions

Dimensions – Position sensor SRBS-Q12-6 ... 8

Download CAD data www.festo.com

[1] Retaining screw

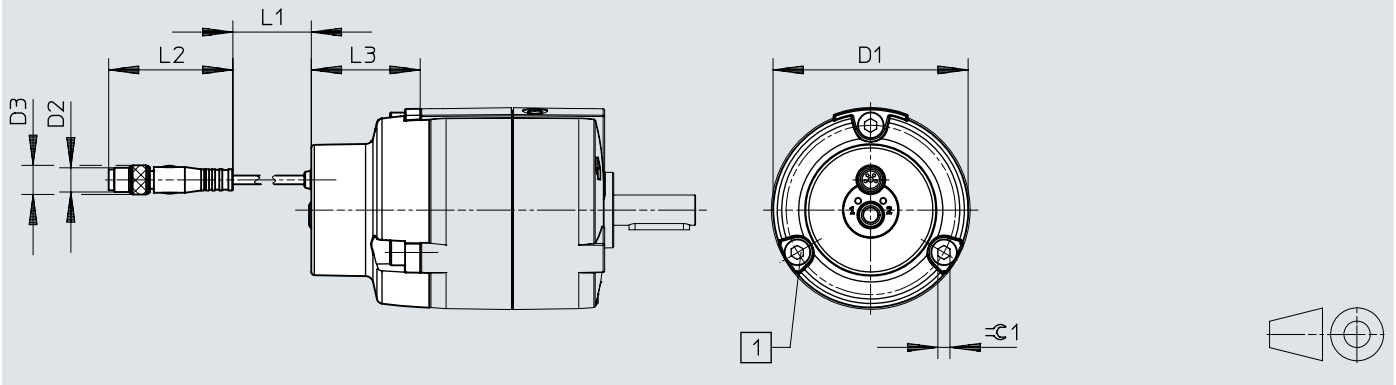
	D1 ø	D2	D3 ø	L1	L2	L3	⌀ 1
SRBS-Q12-6-E270-EP-1-S-M8	29,4	M8x1 ¹⁾	9,6	300	41,1	25,4	1,5
SRBS-Q12-8-E270-EP-1-S-M8	32					27,4	2

1) Plug, 4-pin

Dimensions

Dimensions – Position sensor SRBS-Q12-12 ... 25

Download CAD data www.festo.com



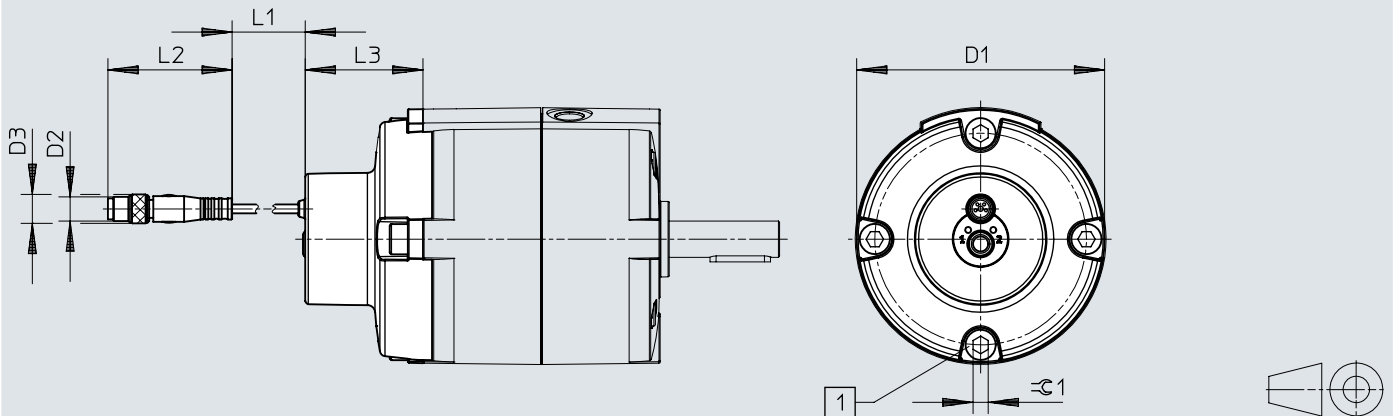
[1] Retaining screw

	D1 ∅	D2	D3 ∅	L1	L2	L3	=C 1
SRBS-Q12-12-E270-EP-1-S-M8	44,6	M8x1 ¹⁾	9,6	300	41,1	29,4	3
SRBS-Q12-16-E270-EP-1-S-M8	51,6					33,9	4
SRBS-Q12-25-E270-EP-1-S-M8	64,5					36	4

1) Plug, 4-pin

Dimensions

Dimensions – Position sensor SRBS-Q12-32 ... 40

Download CAD data www.festo.com

[1] Retaining screw

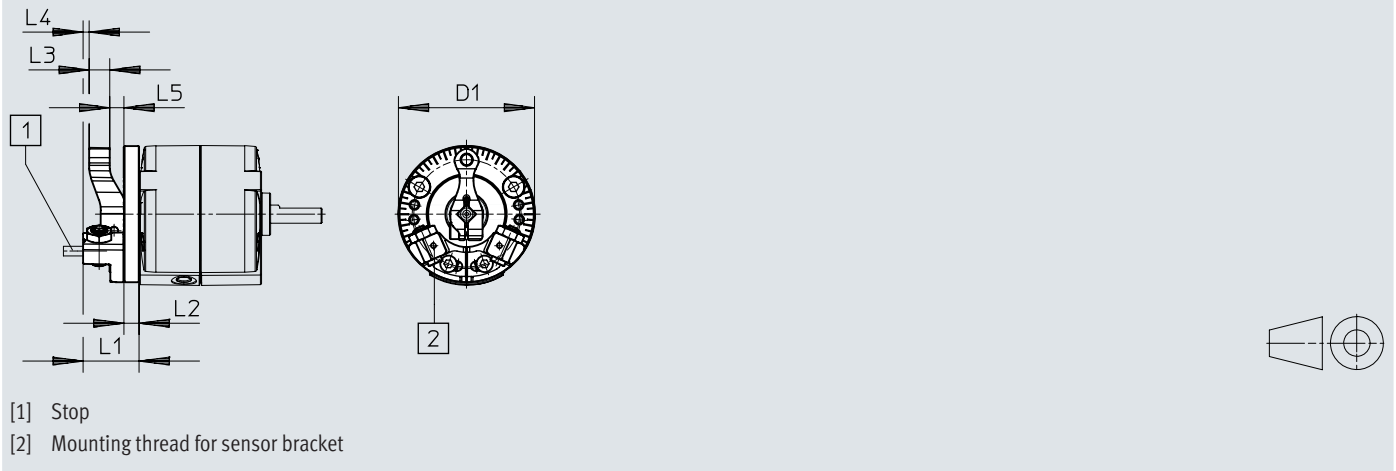
	D1 ∅	D2	D3 ∅	L1	L2	L3	⌀ 1
SRBS-Q12-32-E270-EP-1-S-M8	81,3	M8x1 ¹⁾	9,6	300	41,1	38,9	5
SRBS-Q12-40-E270-EP-1-S-M8	98,3					40,4	6

1) Plug, 4-pin

Dimensions

Dimensions – Stop kit DADP-ES-Q12-12

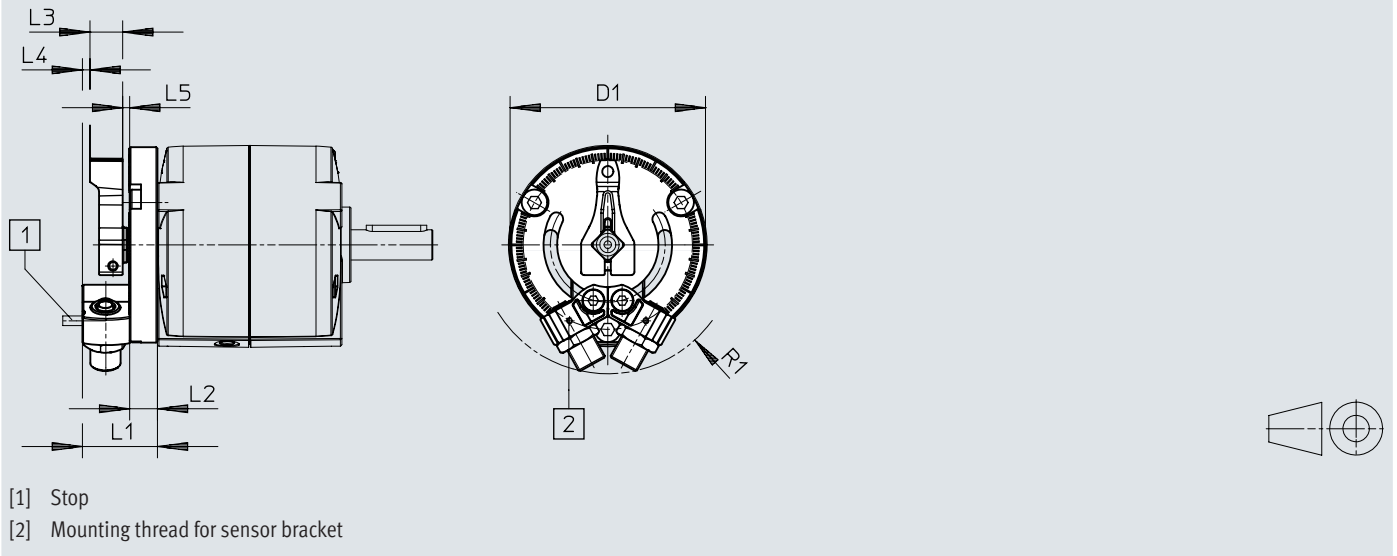
Download CAD data www.festo.com



	D1 ∅	L1	L2	L3	L4	L5
DADP-ES-Q12-12	45	18,5	5	6,8	2	4,7

Dimensions

Dimensions – Stop kit DADP-ES-Q12-16 ... 25

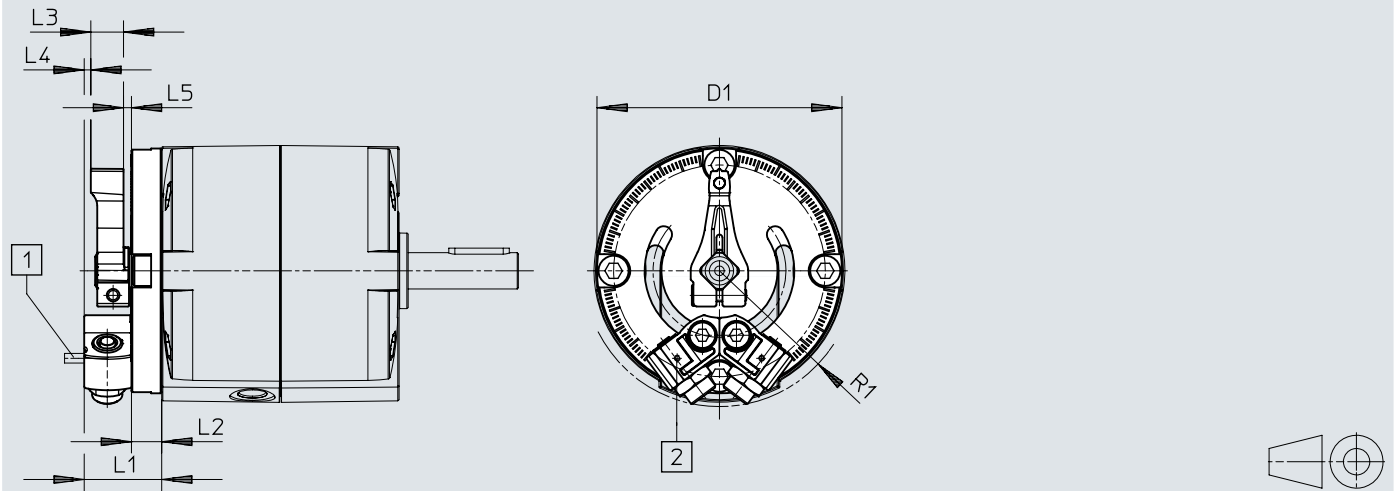
Download CAD data www.festo.com

	D1 ∅	L1	L2	L3	L4	L5	R1
DADP-ES-Q12-16	51,7	21,5	9	8,5	2,3	1,7	34
DADP-ES-Q12-25	64,6	24,8	9,2	10,8	2,5	2,3	43,5

Dimensions

Dimensions – Stop kit DADP-ES-Q12-32 ... 40

Download CAD data www.festo.com

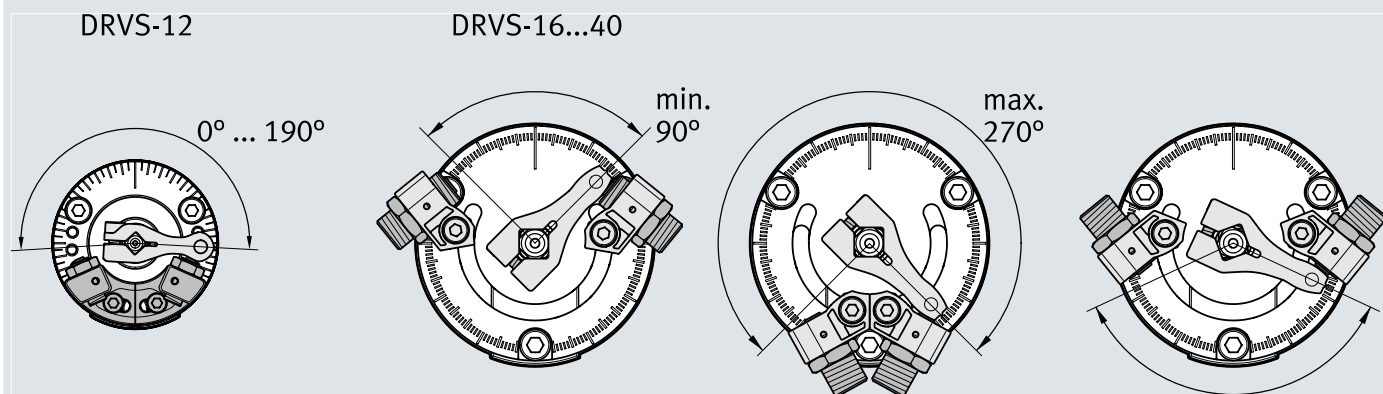


- [1] Stop
- [2] Mounting thread for sensor bracket

	D1 ∅	L1	L2	L3	L4	L5	R1
DADP-ES-Q12-32	81	25,6	10	10,8	2,2	2,6	45,5
DADP-ES-Q12-40	100	32	12	13,7	3,3	3	58

Dimensions

Dimensions – Stop kit DADP-ES-Q12 - Swivel movement

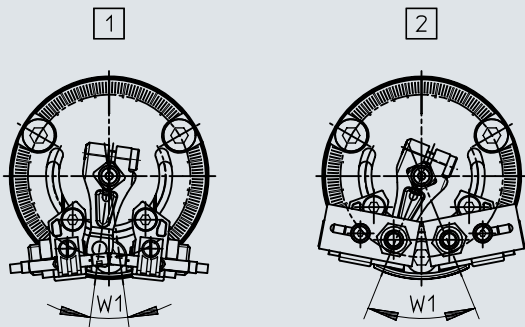
Download CAD data www.festo.com

[1] For an even swivel motion it is recommended to position the stops symmetrically to the mid-position.

Dimensions

Dimensions – Stop kit DADP-ES-Q12 – Swivel angle in combination with attached proximity switches

Download CAD data www.festo.com

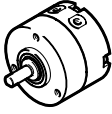


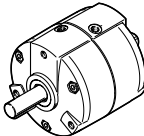
- [1] With proximity switch SME-10/SMT-10
- [2] With proximity switch SIEN-M5/SIEN-M8

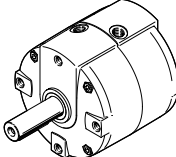
	W1	
	1)	2)
DADP-ES-Q12-12	15°	60°
DADP-ES-Q12-16		45°
DADP-ES-Q12-25		20°
DADP-ES-Q12-32		
DADP-ES-Q12-40		15°

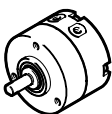
- 1) With proximity switch SME-10/SMT-10
- 2) With proximity switch SIEN-M5/SIEN-M8

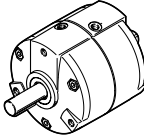
Ordering data

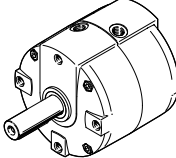
DRVS without ATEX certification					
	Size	Nominal swivel angle [°]	Pneumatic connection	Part no.	Type
	6	90 deg	M3	1845706	DRVS-6-90-P
		180 deg		1845707	DRVS-6-180-P
	8	90 deg		1845708	DRVS-8-90-P
		180 deg		1845709	DRVS-8-180-P

DRVS without ATEX certification					
	Size	Nominal swivel angle [°]	Pneumatic connection	Part no.	Type
	12	90 deg	M5	1845710	DRVS-12-90-P
		180 deg		1845711	DRVS-12-180-P
		270 deg		1845712	DRVS-12-270-P
	16	90 deg		1845713	DRVS-16-90-P
		180 deg		1845714	DRVS-16-180-P
		270 deg		1845715	DRVS-16-270-P

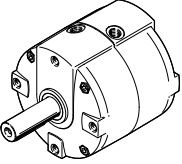
DRVS without ATEX certification					
	Size	Nominal swivel angle [°]	Pneumatic connection	Part no.	Type
	25	90 deg	M5	1845716	DRVS-25-90-P
		180 deg		1845717	DRVS-25-180-P
		270 deg		1845718	DRVS-25-270-P
	32	90 deg	G1/8	1845719	DRVS-32-90-P
		180 deg		1845720	DRVS-32-180-P
		270 deg		1845721	DRVS-32-270-P
	40	90 deg		1845722	DRVS-40-90-P
		180 deg		1845723	DRVS-40-180-P
		270 deg		1845724	DRVS-40-270-P

DRVS with ATEX certification					
	Size	Nominal swivel angle [°]	Pneumatic connection	Part no.	Type
	6	90 deg	M3	2536483	DRVS-6-90-P-EX4
		180 deg		2536484	DRVS-6-180-P-EX4
	8	90 deg		2536485	DRVS-8-90-P-EX4
		180 deg		2536486	DRVS-8-180-P-EX4

DRVS with ATEX certification					
	Size	Nominal swivel angle [°]	Pneumatic connection	Part no.	Type
	12	90 deg	M5	2536487	DRVS-12-90-P-EX4
		180 deg		2536488	DRVS-12-180-P-EX4
		270 deg		2536489	DRVS-12-270-P-EX4
	16	90 deg		2536490	DRVS-16-90-P-EX4
		180 deg		2536491	DRVS-16-180-P-EX4
		270 deg		2536492	DRVS-16-270-P-EX4

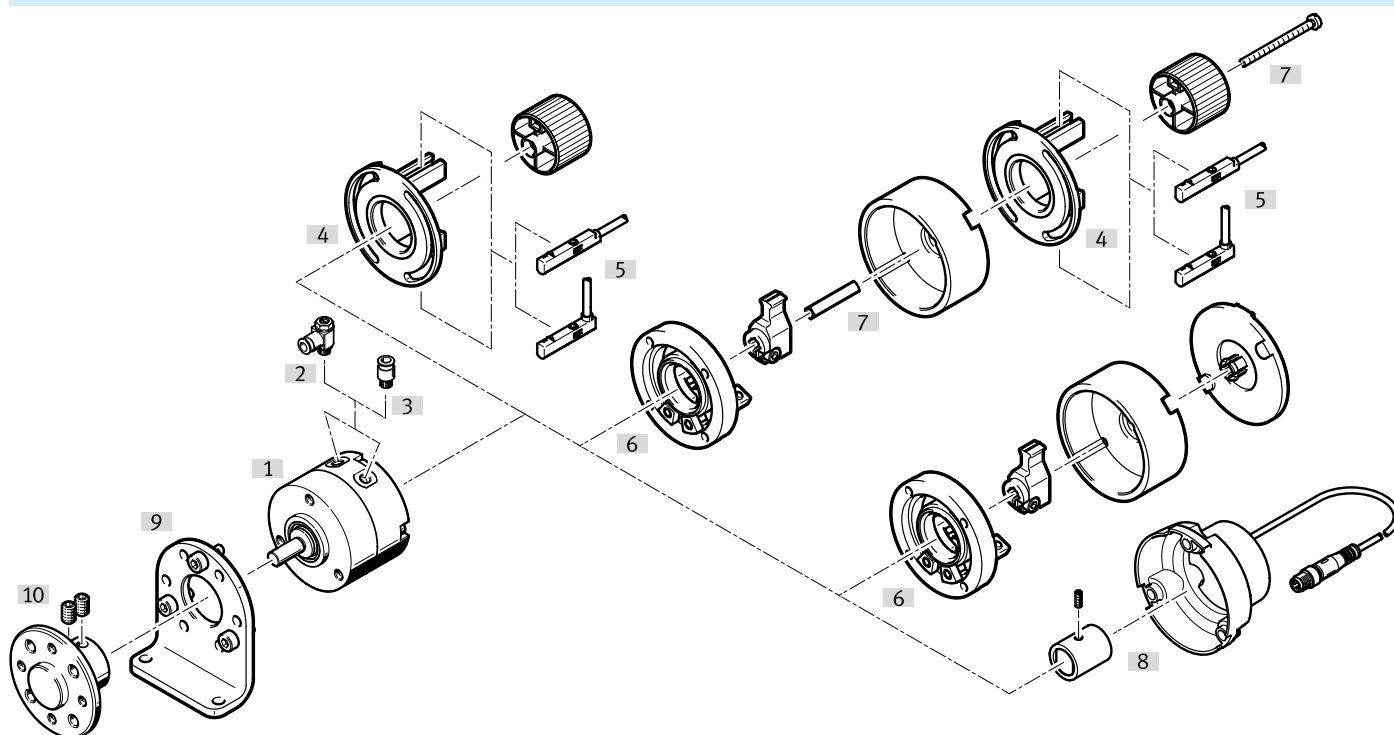
DRVS with ATEX certification					
	Size	Nominal swivel angle [°]	Pneumatic connection	Part no.	Type
	25	90 deg	M5	2536493	DRVS-25-90-P-EX4

Ordering data

DRVS with ATEX certification					
	Size	Nominal swivel angle [°]	Pneumatic connection	Part no.	Type
	25	180 deg	M5	2536494	DRVS-25-180-P-EX4
		270 deg		2536495	DRVS-25-270-P-EX4
	32	90 deg	G1/8	2536496	DRVS-32-90-P-EX4
		180 deg		2536497	DRVS-32-180-P-EX4
		270 deg		2536498	DRVS-32-270-P-EX4
	40	90 deg		2536499	DRVS-40-90-P-EX4
		180 deg		2536500	DRVS-40-180-P-EX4
		270 deg		2536501	DRVS-40-270-P-EX4

Peripherals

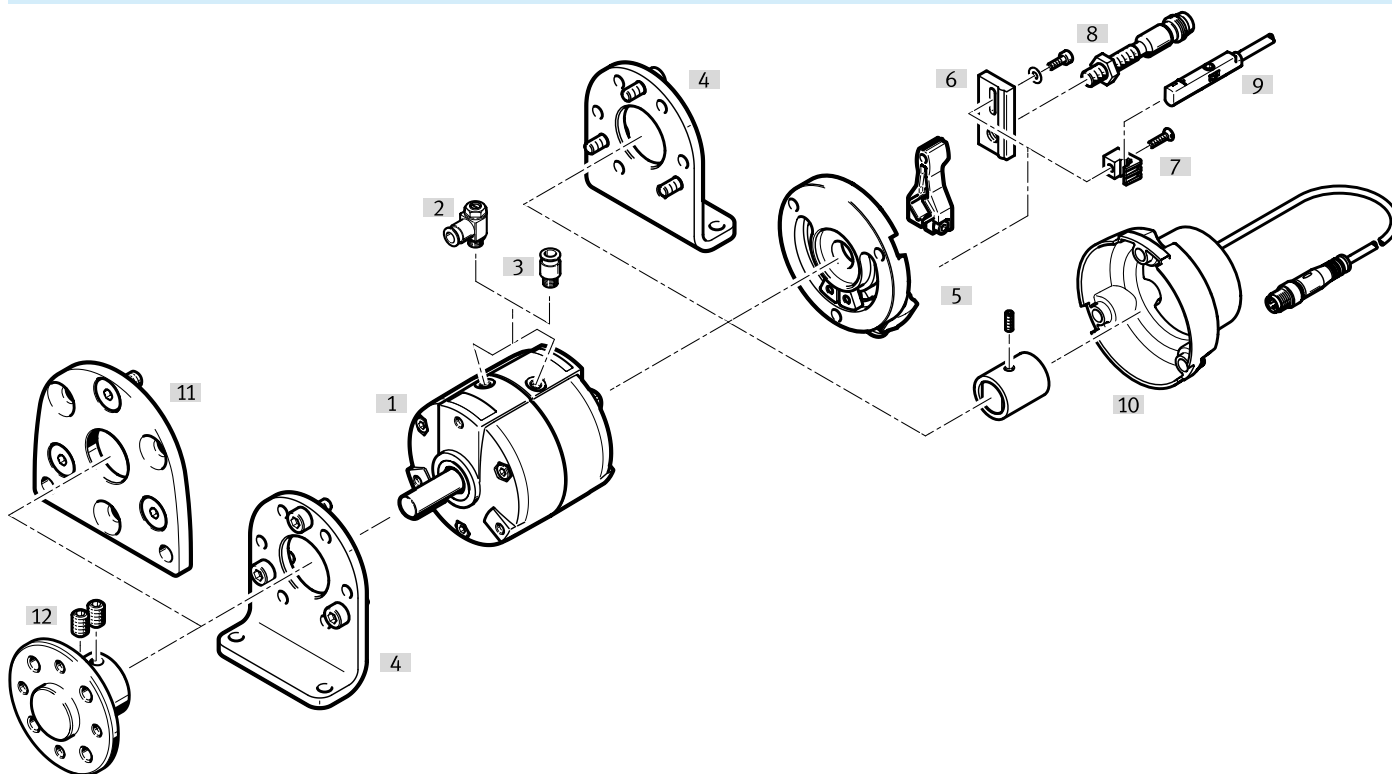
DRVS-6 ... 8



Accessories		→ Link
Type/order code	Description	
[1] Semi-rotary drive DRVS	Semi-rotary drive	drvs
[2] One-way flow control valve GRLA	For regulating speed	41
[3] Push-in fitting QS	For connecting tubing with standard O.D.	qs
[4] Mounting kit WSM	<ul style="list-style-type: none"> • For sensing the swivel angle • For mounting the proximity switches SME-/SMT-10 • Must be ordered separately as accessories • Can be combined with stop kit KSM • The adapter kit DADP-AK must also be ordered in combination with the stop kit KSM 	38
[5] Proximity switch SME/SMT	For sensing the end position	40
[6] Stop kit KSM	<ul style="list-style-type: none"> • To adjust the swivel angle • Must be ordered separately as accessories • Can be combined with mounting kit WSM • The adapter kit DADP-AK must also be ordered in combination with the mounting kit WSM 	37
[7] Adapter kit DADP-AK	For attaching the mounting kit WSM to the stop kit KSM	38
[8] Position sensor SRBS	<ul style="list-style-type: none"> • For sensing the swivel angle • For mounting directly on the quarter-turn actuator • Must be ordered separately as accessories • The scope of delivery of the position sensor includes a magnet, which must be mounted on the shaft of the quarter-turn actuator 	38
[9] Foot mounting DAMH	<ul style="list-style-type: none"> • For mounting the semi-rotary drive • Front mounting only 	37
[10] Push-on flange FWRS	For mounting attachments	37

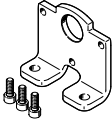
Peripherals

DRVS-12 ... 40



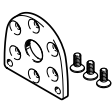
Accessories		→ Link
Type/order code	Description	
[1] Semi-rotary drive DRVS	Semi-rotary drive	drvs
[2] One-way flow control valve GRLA	For regulating speed	41
[3] Push-in fitting QS	For connecting tubing with standard O.D.	qs
[4] Foot mounting DAMH	<ul style="list-style-type: none"> For mounting the quarter-turn actuator Can be mounted on one or both sides 	37
[5] Stop kit DADP-ES	<ul style="list-style-type: none"> For adjusting the swivel angle Must be ordered separately as accessories 	39
[6] Sensor bracket SL-DSM-S	For mounting the round inductive proximity sensors SIEN	39
[7] Sensor bracket SL-DSM-B	For mounting the proximity switches SME/SMT-10	39
[8] Proximity switch SIEN	For sensing the end position	40
[9] Proximity switch SME/SMT	For sensing the end position	40
[10] Position sensor SRBS	<ul style="list-style-type: none"> For sensing the swivel angle For mounting directly on the quarter-turn actuator Must be ordered separately as accessories The scope of delivery of the position sensor includes a magnet, which must be mounted on the shaft of the quarter-turn actuator 	38
[11] Flange mounting DAMF	For mounting the semi-rotary drive on the front using two mounting holes	37
[12] Push-on flange DARF	For mounting attachments	37

Accessories

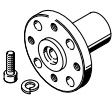
Foot mounting DAMH					
	Description ¹⁾	Material bracket	Product weight ²⁾	Part no.	Type
	For size 6, foot mounting can only be fitted at the front	Galvanised steel	27 g	3371840	DAMH-Q12-6
	For size 8, foot mounting can only be fitted at the front		40 g	3371841	DAMH-Q12-8
	For size 12		79 g	3371842	DAMH-Q12-12
	For size 16		111 g	3371843	DAMH-Q12-16
	For size 25		203 g	3371844	DAMH-Q12-25
	For size 32		287 g	3371845	DAMH-Q12-32
	For size 40		529 g	3371846	DAMH-Q12-40

1) Suitable for ATEX

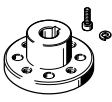
2) For a foot mounting

Flange mounting DAMF					
	Description ¹⁾	Material mounting	Product weight	Part no.	Type
	For size 12	Galvanised steel	54 g	4965018	DAMF-Q12-12
	For size 16		80 g	4965019	DAMF-Q12-16
	For size 25		147 g	4965020	DAMF-Q12-25
	For size 32		305 g	4965021	DAMF-Q12-32
	For size 40		472 g	4965022	DAMF-Q12-40

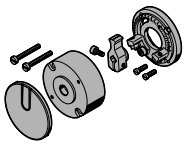
1) Suitable for ATEX

Push-on flange FWSR Link fwsr					
	Description ¹⁾	Material housing	Product weight	Part no.	Type
	For size 6	Wrought aluminium alloy	5 g	185948	FWSR-6
	For size 8		7 g	185949	FWSR-8

1) Suitable for ATEX

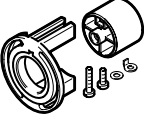
Push-on flange DARF Link darf					
	Description ¹⁾	Material flange	Product weight	Part no.	Type
	For size 12	Anodised wrought aluminium alloy	15 g	4886221	DARF-Q12-12
	For size 16		25 g	4886222	DARF-Q12-16
	For size 25		60 g	4886223	DARF-Q12-25
	For size 32		92 g	4886224	DARF-Q12-32
	For size 40		155 g	4886225	DARF-Q12-40

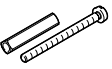
1) Suitable for ATEX

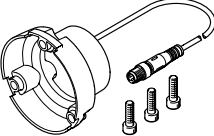
Stop kit KSM Link ksm					
	Description ¹⁾	Material housing	Product weight	Part no.	Type
	For size 6, for adjusting the swivel angle	Aluminium, Anodised	30 g	175833	KSM-6
	For size 8, for adjusting the swivel angle		70 g	175834	KSM-8

1) Suitable for ATEX

Accessories

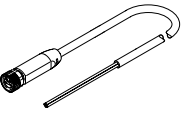
Mounting kit WSM					
	Description	Material retaining bracket	Product weight	Part no.	Type
	For size 6, For sensing the swivel angle; for mounting the proximity switches SME/SMT-10	Reinforced PA	12 g	173205	WSM-6-SME-10
	For size 8, For sensing the swivel angle; for mounting the proximity switches SME/SMT-10		13 g	173206	WSM-8-SME-10

Adapter kit DADP-AK					
	Description	Material adapter	Product weight	Part no.	Type
	For size 6, For attaching the mounting kit WSM on the stop kit KSM	Galvanised steel	2 g	3617044	DADP-AK-Q1-6
	For size 8, For attaching the mounting kit WSM on the stop kit KSM		3 g	3617045	DADP-AK-Q1-8

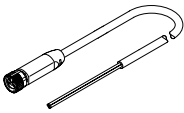
Position sensor SRBS						Link srbs
	Description	Switching element function ¹⁾	Switching output	Sensing range	Part no.	Type
	For size 6, for mounting directly on the actuator	N/C or N/O contact, switchable	2 x PNP or 2 x NPN, switchable	270 deg	2619969	SRBS-Q12-6-E270-EP-1-S-M8
	For size 8, for mounting directly on the actuator				2619972	SRBS-Q12-8-E270-EP-1-S-M8
	For size 12, for mounting directly on the actuator				2393546	SRBS-Q12-12-E270-EP-1-S-M8
	For size 16, for mounting directly on the actuator				2393547	SRBS-Q12-16-E270-EP-1-S-M8
	For size 25, for mounting directly on the actuator				2393548	SRBS-Q12-25-E270-EP-1-S-M8
	For size 32, for mounting directly on the actuator				2393549	SRBS-Q12-32-E270-EP-1-S-M8
	For size 40, for mounting directly on the actuator				2393550	SRBS-Q12-40-E270-EP-1-S-M8

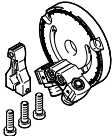
1) Sturdy, contactless and encapsulated position sensing with long service life:

- To sense the end positions
- Simple and reliable operation using one button
- Only one connecting cable needed


Connecting cables NEBA, straight – for position sensor SRBS						
	Electrical connection 1, connector system	Electrical connection 2, connector system	Electrical connection 2, number of connections/cores	Cable length	Part no.	Type
	M8x1, A-coded, to EN 61076-2-104	M8x1, A-coded to EN 61076-2-104	4	2.5 m	8078295	NEBA-M8G4-U-2.5-N-M8G4


Accessories

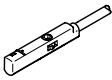
Connecting cables NEBA, straight – for position sensor SRBS						
	Electrical connection 1, connector system	Electrical connection 2, connector system	Electrical connection 2, number of connections/cores	Cable length	Part no.	Type
	M8x1, A-coded, to EN 61076-2-104	Open end	4	2.5 m	8078227	NEBA-M8G4-U-2.5-N-LE4
				5 m	8078228	NEBA-M8G4-U-5-N-LE4

Stop kit DADP-ES						Link dadp-es
	Description ¹⁾	Material disc	Product weight	Part no.	Type	
	For size 12, for adjusting the swivel angle	Anodised wrought aluminium alloy	60 g	2536502	DADP-ES-Q12-12	
	For size 16, for adjusting the swivel angle		110 g	2536503	DADP-ES-Q12-16	
	For size 25, for adjusting the swivel angle		180 g	2536504	DADP-ES-Q12-25	
	For size 32, for adjusting the swivel angle		250 g	2536505	DADP-ES-Q12-32	
	For size 40, for adjusting the swivel angle		450 g	2536506	DADP-ES-Q12-40	

1) Suitable for ATEX

Sensor bracket SL-DSM-B					
	Description	Material retaining bracket	Product weight	Part no.	Type
	For size 12 ... 40, For mounting the proximity switches SME/SMT-10, For sensing the swivel angle	Reinforced PA	2 g	550661	SL-DSM-B

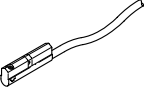
Sensor bracket SL-DSM-S-...-B					
	Description	Material retaining bracket	Product weight	Part no.	Type
	For size 12 ... 40, For mounting the proximity switches SIEN-M8, For sensing the swivel angle	Aluminium	4 g	1132360	SL-DSM-S-M8-B
	For size 12 ... 40, For mounting the proximity switches SIEN-M5, For sensing the swivel angle			1130882	SL-DSM-S-M5-B

Proximity switch SMT for round slot, magneto-resistive – for DRVS-6 ... 40						Link smt
	Type of mounting ¹⁾	Switching output	Electrical connection	Cable length	Part no.	Type
	Screw-clamped, Insertable in the slot from above	3-wire PNP N/O contact	Open end	2.5 m	551373	SMT-10M-PS-24V-E-2,5-L-OE
			Plug M8, A-coded	0.3 m	551375	SMT-10M-PS-24V-E-0,3-L-M8D

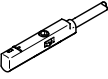
1) For DRVS-6 ... 8: With mounting kit WSM-...-SME-10

For DRVS-12 ... 40: Attached to the DRVS with sensor bracket SL-DSM-B

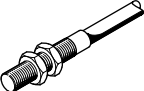
Accessories

Proximity switch SME for round slot, magnetic reed – for DRVS-6 ... 40 Link sme						
	Type of mounting ¹⁾	Switching element function	Electrical connection	Cable length	Part no.	Type
	Clamped in C-slot, Insertable in the slot lengthwise	N/O contact	Open end	0.3 m	173212	SME-10-SL-LED-24
				2.5 m	173210	SME-10-KL-LED-24

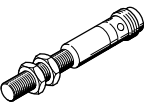
1) For DRVS-6 ... 8: With mounting kit WSM-...SME-10
For DRVS-12 ... 40: With sensor bracket SL-DSM-B

Proximity switch SME for round slot, magnetic reed – for DRVS-6 ... 40 Link sme						
	Type of mounting ¹⁾	Switching output	Electrical connection	Cable length	Part no.	Type
	Screw-clamped, Insertable in the slot from above	3-wire N/O contact	Open end	2.5 m	551365	SME-10M-DS-24V-E-2,5-L-OE
			Plug M8, A-coded	0.3 m	551367	SME-10M-DS-24V-E-0,3-L-M8D

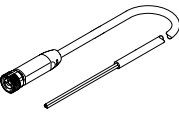
1) With sensor bracket SL-DSM-B

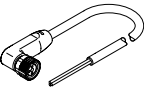
Proximity switch SIEN, inductive, with cable – for DRVS-12 ... 40 Link sien						
	Type of mounting ¹⁾	Switching output	Electrical connection	Cable length	Part no.	Type
	Via lock nut	PNP	Open end	2.5 m	150386	SIEN-M8B-PS-K-L
					150370	SIEN-M5B-PS-K-L

1) With sensor bracket SL-DSM-S

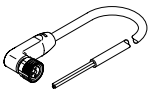
Proximity switch SIEN, inductive, without cable – for DRVS-12 ... 40 Link sien						
	Type of mounting ¹⁾	Switching output	Electrical connection	Part no.	Type	
	Via lock nut	PNP	Plug M8, A-coded	150387	SIEN-M8B-PS-S-L	
				150371	SIEN-M5B-PS-S-L	


1) With sensor bracket SL-DSM-S

Connecting cables NEBA, straight						
	Electrical connection 1, connector system	Electrical connection 2, connector system	Electrical connection 2, number of connections/ cores	Cable length	Part no.	Type
	M8x1, A-coded, to EN 61076-2-104	Open end	3	2.5 m	8078223	NEBA-M8G3-U-2.5-N-LE3
				5 m	8078224	NEBA-M8G3-U-5-N-LE3

Connecting cables NEBA, angled						
	Electrical connection 1, connector system	Electrical connection 2, connector system	Electrical connection 2, number of connections/ cores	Cable length	Part no.	Type
	M8x1, A-coded, to EN 61076-2-104	Open end	3	2.5 m	8078230	NEBA-M8W3-U-2.5-N-LE3

Accessories

Connecting cables NEBA, angled						
	Electrical connection 1, connector system	Electrical connection 2, connector system	Electrical connection 2, number of connections/cores	Cable length	Part no.	Type
	M8x1, A-coded, to EN 61076-2-104	Open end	3	5 m	8078231	NEBA-M8W3-U-5-N-LE3

One-way flow control valves GRLA						
	Description	Pneumatic connection 1	Pneumatic connection, port 2	Product weight	Part no.	Type
	For size 6, 8; Metal design	Push-in connector 3 mm	M3	7 g	175041	GRLA-M3-QS-3
	For size 12, 16, 25; Metal design		Push-in connector 4 mm	M5	13 g	193137
		193138		GRLA-M5-QS-4-D		
	For size 32, 40; Metal design	Push-in connector 3 mm	G1/8	22 g	193142	GRLA-1/8-QS-3-D
		Push-in connector 4 mm			193143	GRLA-1/8-QS-4-D
		Push-in connector 6 mm			193144	GRLA-1/8-QS-6-D
		Push-in connector 8 mm			193145	GRLA-1/8-QS-8-D