

Linear drives DGC-K

FESTO



Festo Core Range
Solves the majority of your automation tasks

Worldwide: Quickest delivery – wherever, whenever
Simply good: Expected high Festo quality
Fast: Easy and fast to select

With the Festo Core Range, we have selected the most important products and functions from our broad product catalogue, and added the quickest delivery.

The Core Range offers you the best value for your automation tasks.

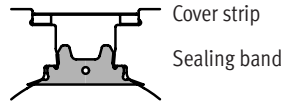
Just look
for the
star!

Key features

At a glance

- Without external guide, for simple drive functions
- Compact – installation length relative to stroke
- Fully interchangeable with the linear drive DGP
- Easy assembly and installation
- Choice of:
 - Piston, standard
 - Piston, extended
- Optional: NSF-H1 lubricant for the food zone

Sealing system:



- ### Advantages of the sealing system
- Long strokes with no restrictions
 - Virtually no leakage

The linear drive is of limited suitability for the food zone.
More information www.festo.com/sp → Certificates

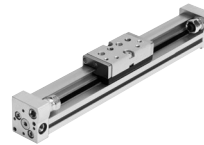
Guide variants

Compact design DGC-K



- Piston \varnothing 18 ... 80 mm
- Stroke lengths from 1 ... 8500 mm
- 30% narrower than the DGC-G
- Low moving dead weight
- Symmetrical design

Basic design DGC-G



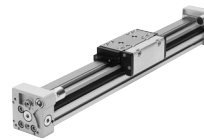
- Piston \varnothing 8 ... 63 mm
- Stroke lengths from 1 ... 8500 mm
- Guide backlash = 0.2 mm
- For small loads
- Operating behaviour under torque load = average

Plain-bearing guide DGC-GF



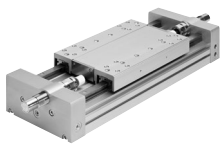
- Piston \varnothing 18 ... 63 mm
- Stroke lengths from 1 ... 8500 mm
- Guide backlash = 0.05 mm
- For small and medium loads
- Operating behaviour under torque load = average

Recirculating ball bearing guide DGC-KF



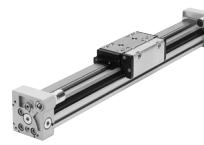
- Piston \varnothing 8 ... 63 mm
- Stroke lengths from 1 ... 8500 mm
- Guide backlash = 0 mm
- For medium and larger loads
- Precise mounting interface with stainless steel slide
- Operating behaviour under torque load = very good

Heavy-duty guide DGC-HD



- Piston \varnothing 18, 25, 40 mm
- Stroke lengths from 10 ... 5000 mm
- Guide backlash = 0 mm
- For large loads
- Operating behaviour under torque load = very good

Guide axis DGC-FA



- Without drive
- Piston \varnothing 8 ... 63 mm
- Stroke lengths from 1 ... 8500 mm
- Guide backlash = 0 mm
- Precision guide, suitable for the DGC-KF. Can be used as machine component or as a twin guide with the DGC-KF

D2 – Compressed air supply port at both ends

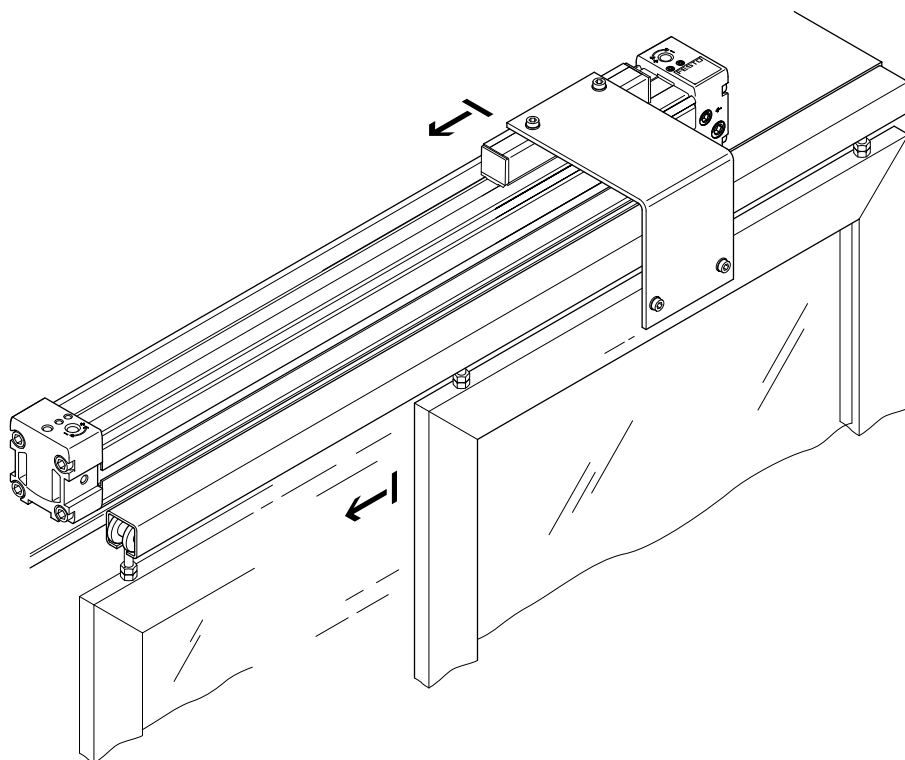


The compressed air connections on the DGC-K linear actuator are located on a connection cap as standard.
The linear drive is actuated at both ends by specifying order code D2 in the modular product system. Actuation at one end is then no longer possible.

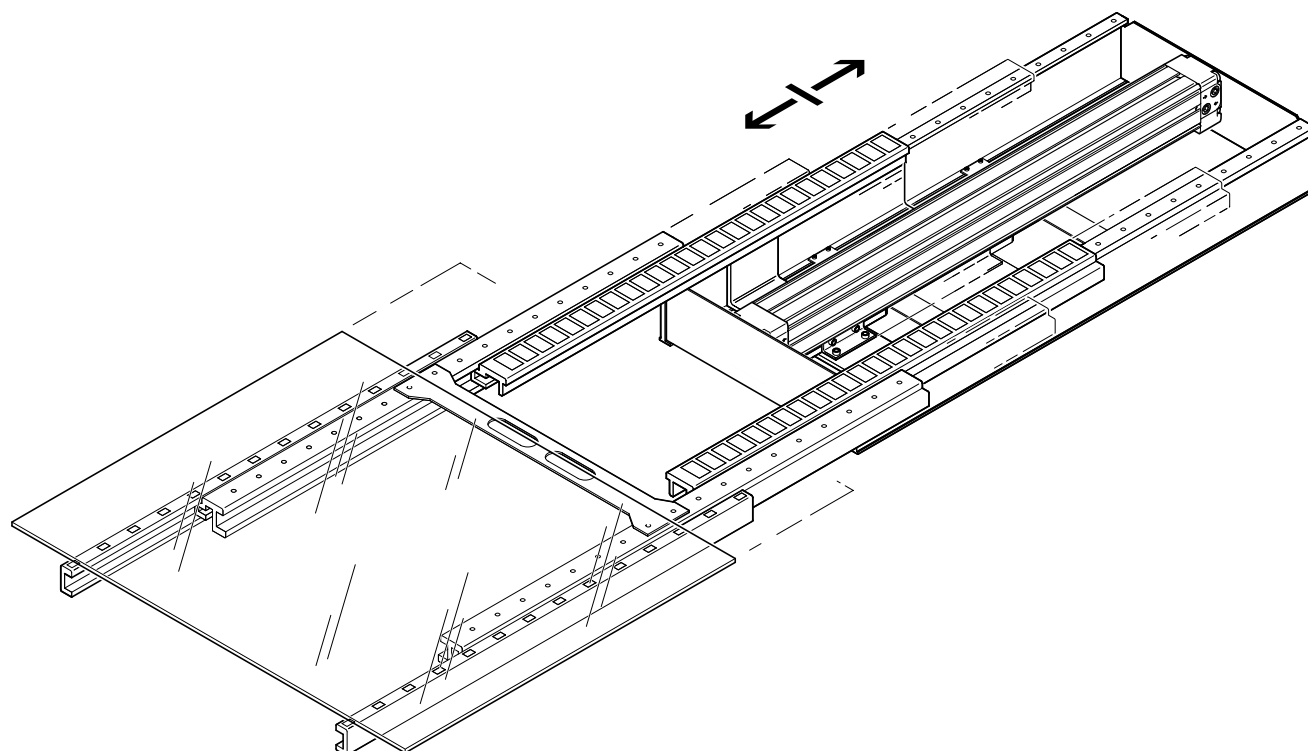
Key features

Application examples

For opening and closing doors

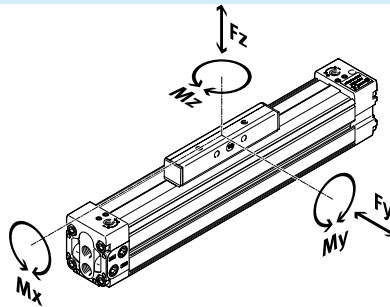



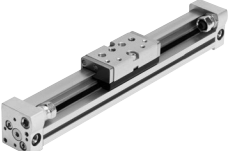

For transporting glass plates



Product range overview

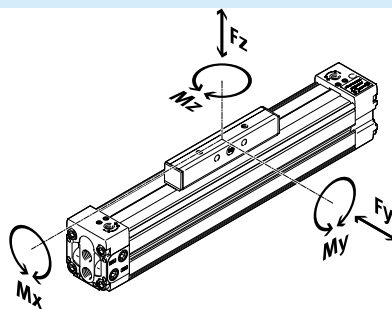
Product variants


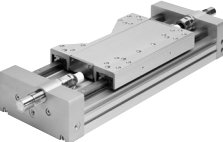


| | Piston \varnothing [mm] | Theoretical force at 0.6 MPa (6 bar, 87 psi) [N] | Guide characteristics | | | | | → Page/ Internet |
|--|------------------------------|--|-----------------------|-----------|------------|------------|------------|---------------------|
| | | | Fy [N] | Fz [N] | Mx [Nm] | My [Nm] | Mz [Nm] | |
| Compact design DGC-K | | | | | | | | |
|  | 18 | 153 | – | 120 | 0.8 | 11 | 1 | 6 |
| | 25 | 295 | – | 330 | 1.2 | 20 | 3 | |
| | 32 | 483 | – | 480 | 1.9 | 40 | 5 | |
| | 40 | 754 | – | 800 | 3.8 | 60 | 8 | |
| | 50 | 1178 | – | 1200 | 6 | 120 | 15 | |
| | 63 | 1870 | – | 1600 | 5.7 | 150 | 24 | |
| | 80 | 3016 | – | 2500 | 30.6 | 400 | 100 | |
| Basic design DGC-G | | | | | | | | |
|  | 8 | 30 | 150 | 150 | 0.5 | 2 | 2 | dgc |
| | 12 | 68 | 300 | 300 | 1.3 | 5 | 5 | |
| | 18 | 153 | 70 | 340 | 1.9 | 12 | 4 | |
| | 25 | 295 | 180 | 540 | 4 | 20 | 5 | |
| | 32 | 483 | 250 | 800 | 9 | 40 | 12 | |
| | 40 | 754 | 370 | 1100 | 12 | 60 | 25 | |
| | 50 | 1178 | 480 | 1600 | 20 | 150 | 37 | |
| | 63 | 1870 | 650 | 2000 | 26 | 150 | 48 | |
| Plain-bearing guide DGC-GF | | | | | | | | |
|  | 18 | 153 | 440 | 540 | 3.4 | 20 | 8.5 | dgc |
| | 25 | 295 | 640 | 1300 | 8.5 | 40 | 20 | |
| | 32 | 483 | 900 | 1800 | 15 | 70 | 33 | |
| | 40 | 754 | 1380 | 2000 | 28 | 110 | 54 | |
| | 50 | 1178 | 1500 | 2870 | 54 | 270 | 103 | |
| | 63 | 1870 | 2300 | 4460 | 96 | 450 | 187 | |

Product range overview

Product variants



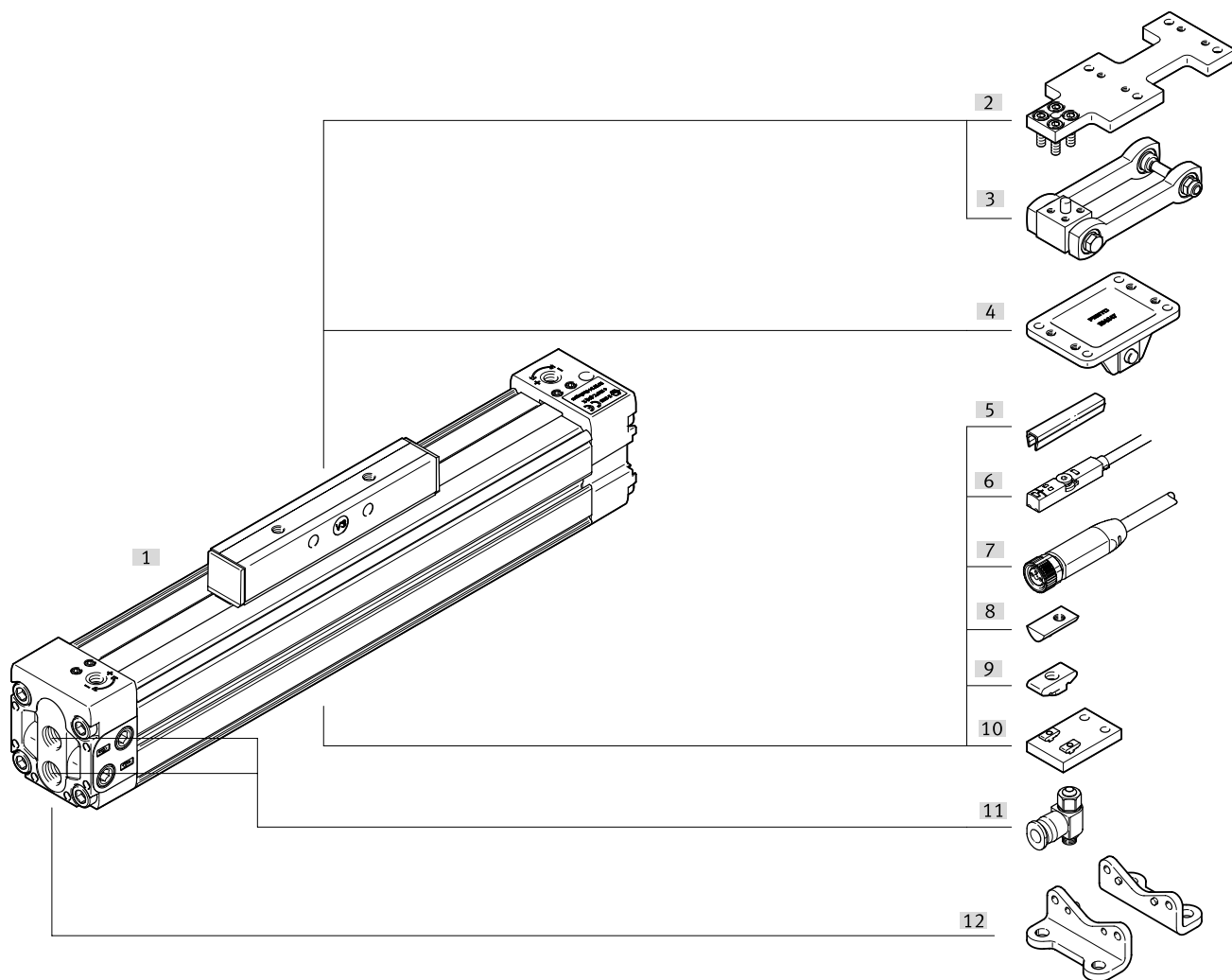
| | Piston \varnothing [mm] | Theoretical force at 0.6 MPa (6 bar, 87 psi) [N] | Guide characteristics | | | | | → Page/ Internet |
|---|------------------------------|--|-----------------------|-----------|------------|------------|------------|---------------------|
| | | | Fy [N] | Fz [N] | Mx [Nm] | My [Nm] | Mz [Nm] | |
| Recirculating ball bearing guide DGC-KF | | | | | | | | |
|  | 8 | 30 | 300 | 300 | 1.7 | 4.5 | 4.5 | dgc |
| | 12 | 68 | 650 | 650 | 3.5 | 10 | 10 | |
| | 18 | 153 | 1850 | 1850 | 16 | 51 | 51 | |
| | 25 | 295 | 3050 | 3050 | 36 | 97 | 97 | |
| | 32 | 483 | 3310 | 3310 | 54 | 150 | 150 | |
| | 40 | 754 | 6890 | 6890 | 144 | 380 | 380 | |
| | 50 | 1 178 | 6890 | 6890 | 144 | 634 | 634 | |
| 63 | 1 870 | 15200 | 15200 | 529 | 1157 | 1157 | | |
| Heavy-duty guide DGC-HD | | | | | | | | |
|  | 18 | 153 | 3650 | 3650 | 140 | 275 | 275 | dgc-hd |
| | 25 | 295 | 5600 | 5600 | 300 | 500 | 500 | |
| | 40 | 754 | 13000 | 13000 | 900 | 1450 | 1450 | |

Type codes

| | | |
|------------|---|--|
| 001 | Series | |
| DGC | Linear drive | |
| 002 | Guide | |
| K | Compact | |
| 003 | Piston diameter | |
| 18 | 18 | |
| 25 | 25 | |
| 32 | 32 | |
| 40 | 40 | |
| 50 | 50 | |
| 63 | 63 | |
| 80 | 80 | |
| 004 | Stroke | |
| ... | 1 ... 8500 | |
| 005 | Cushioning | |
| PPV | Pneumatic cushioning, adjustable at both ends | |
| 006 | Position sensing | |
| A | For proximity sensor | |
| 007 | Basic version | |
| GK | Piston/slide standard | |
| GV | Extended piston/slide | |
| 008 | Compressed air connection | |
| | At one end | |
| D2 | Both sides | |
| 009 | Lubrication | |
| | Standard | |
| H1 | Food-safe lubrication | |
| 010 | Moment compensator | |
| | None | |
| FK | Moment compensator | |
| 011 | EU certification | |
| | None | |
| EX2 | II 3GD | |
| EX3 | II 2G | |

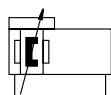
| | | |
|-------------|---|--|
| 012 | Accessories | |
| | None | |
| ZUB | Accessories supplied loose | |
| 013 | Foot mounting | |
| | None | |
| F | 1 record | |
| 014 | Central support | |
| | None | |
| ...M | 1 ... 10 pieces | |
| 015 | Slot nut, mounting slot | |
| | None | |
| ...Y | 1 ... 10 pieces | |
| 016 | Slot cover for mounting slot | |
| | None | |
| ...B | 1...10 pieces | |
| 017 | Proximity sensor, cable 2.5 m | |
| | None | |
| ...G | 1 ... 10 pieces | |
| 018 | Proximity sensor, plug M8 | |
| | None | |
| ...H | 1 ... 10 pieces | |
| 019 | Proximity sensor, contactless, cable 2.5 m | |
| | None | |
| ...I | 1 ... 10 pieces | |
| 020 | Proximity sensor, contactless, plug M8 | |
| | None | |
| ...J | 1 ... 10 pieces | |
| 021 | Proximity sensor, N/C contact, cable 2.5 m | |
| | None | |
| ...N | 1 ... 10 pieces | |
| 022 | Connecting cable 2.5 m, plug M8 | |
| | None | |
| ...V | 1 ... 10 pieces | |
| 023 | Slot cover, sensor slot | |
| | None | |
| ...S | 1 ... 10 pieces | |

Peripherals overview



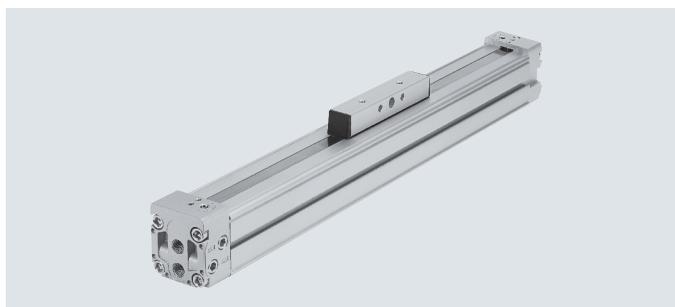
| Accessories | | | |
|---|--|--|-----------------|
| Type/order code | Description | | → Page/Internet |
| [1] Linear drive DGC-K | Linear drive without accessories, basic design | | 8 |
| [2] Adapter plate DAMF | Has the same interface as the moment compensator FKP for the linear drive DGP | | 30 |
| [3] Moment compensator DARD-...-M | For compensating misalignments when using external guides | | 28 |
| [4] Moment compensator FK (type: DARD-...-S) | For compensating misalignments when using external guides. Has the same interface as the moment compensator FKP for the linear drive DGP | | 26 |
| [5] Slot cover B/S | For protecting against contamination and securing the proximity switch cable | | 32 |
| [6] Proximity switch G/H/I/J/N | For sensing the moment compensator position | | 32 |
| [7] Connecting cable V | Via proximity switch | | 33 |
| [8] Slot nut for mounting slot Y (type: NST) | For mounting attachments Piston Ø 18 and 25 cannot be used with DGC-...-D2 (compressed air supply port at both ends) | | 32 |
| [9] Slot nut for mounting slot Y (type: ABAN) | For mounting attachments All combinations can be used with piston Ø 18 and 25 | | 32 |
| [10] Central support M | For mounting the axis, especially for long strokes | | 25 |
| [11] One-way flow control valve GRLA | For regulating speed | | 32 |
| [12] Foot mounting F | For mounting the axis | | 24 |

Datasheet



www.festo.com

Repair service



- Diameter
18 ... 80 mm
- Stroke length
1 ... 8500 mm

| General technical data | | 18 | 25 | 32 | 40 | 50 | 63 | 80 |
|------------------------|--|-------------------------|------------|----|------|------------|--------------------------|--------------------------|
| Piston \varnothing | | 18 | 25 | 32 | 40 | 50 | 63 | 80 |
| Design | Pneumatic linear drive with slide | | | | | | | |
| Guide | Slotted cylinder barrel | | | | | | | |
| Operating mode | Double-acting | | | | | | | |
| Stroke | [mm] | 1 ... 3000 | 1 ... 8500 | | | 1 ... 6000 | 1 ... 5000 ¹⁾ | 1 ... 3000 ²⁾ |
| Pneumatic connection | | M5 | G1/8 | | G1/4 | | G3/8 | G1/2 |
| Cushioning | [PPV] | Adjustable at both ends | | | | | | |
| Cushioning length | [mm] | 16 | 18 | 20 | 30 | 30 | 30 | 83 |
| Max. speed | | | | | | | | |
| | With adjust. pneum. cushioning PPV [m/s] | 2 | | | | | | |
| | With external cushioning [m/s] | 3 | | | | | | |
| Position sensing | Via proximity switch | | | | | | | |
| Type of mounting | With accessories | | | | | | | |
| Mounting position | Any | | | | | | | |

- 1) Piston \varnothing 63: A stroke of max. 4800 mm is available with variant GV (extended piston).
- 2) Piston \varnothing 80: With effective strokes over 2000 mm, the actuator must be installed with the sealing strip facing downwards; further strokes on request.

| Operating and environmental conditions | | 18 | 25 | 32 | 40 | 50 | 63 | 80 | |
|--|--|-------------|----|----|----|---------------|----|----|--|
| Piston \varnothing | | 18 | 25 | 32 | 40 | 50 | 63 | 80 | |
| Operating pressure | [MPa] | 0.2 ... 0.8 | | | | 0.15 ... 0.8 | | | |
| | [bar] | 2 ... 8 | | | | 1.5 ... 8 | | | |
| | [psi] | 29 ... 116 | | | | 21.75 ... 116 | | | |
| Operating medium | Compressed air to ISO 8573-1:2010 [7:-:-] | | | | | | | | |
| Note on the operating/pilot medium | Lubricated operation possible (in which case lubricated operation will always be required) | | | | | | | | |
| Ambient temperature ¹⁾ | [°C] | -10 ... +60 | | | | | | | |
| Food-safe ²⁾ | → Supplementary material information | | | | | | | | |
| Corrosion resistance class CRC ³⁾ | | 1 | | | | | | | |

- 1) Note operating range of proximity switches.
- 2) More information www.festo.com/sp → Certificates.
- 3) More information www.festo.com/x/topic/crc

| ATEX ¹⁾ | |
|--|---|
| Explosion-proof ambient temperature | -10°C ≤ Ta ≤ +60°C |
| CE marking (see declaration of conformity) | To EU Explosion Protection Directive (ATEX) |
| EX2 certification | |
| ATEX category for gas | II 3G |
| Type of ignition protection for gas | Ex h IIC T4 Gc X |
| ATEX category for dust | II 3D |
| Type of ignition protection for dust | Ex h IIIC T120°C Dc X |
| EX3 certification | |
| ATEX category for gas | II 2G |
| Type of ignition protection for gas | Ex h IIC T4 Gb X |

- 1) Note the ATEX certification of the accessories.

Datasheet

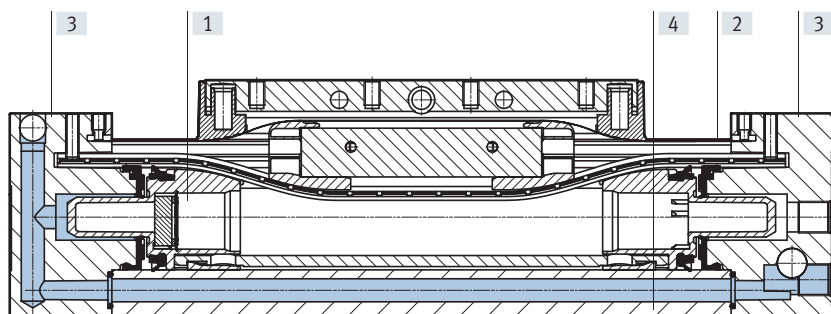
| Forces [N] and impact energy [J] | | | | | | | |
|---|------|------|------|------|------|------|------|
| Piston \varnothing | 18 | 25 | 32 | 40 | 50 | 63 | 80 |
| Theoretical force at 0.6 MPa (6 bar, 87 psi) | 153 | 295 | 483 | 754 | 1178 | 1870 | 3016 |
| Max. impact energy in the end positions ¹⁾ | 0.04 | 0.05 | 0.12 | 0.25 | 0.5 | 0.5 | 3 |

1) Permissible residual impact energy with adjustable pneumatic cushioning PPV.

| Weight [g] | | | | | | | |
|------------------------------------|-----|------|------|------|------|-------|-------|
| Piston \varnothing | 18 | 25 | 32 | 40 | 50 | 63 | 80 |
| Basic weight with 0 mm stroke | | | | | | | |
| DGC...-GK | 370 | 933 | 1319 | 2450 | 5438 | 8620 | 16775 |
| DGC...-GV | 630 | 1343 | 1999 | 3620 | 8073 | 13000 | – |
| Additional weight per 10 mm stroke | | | | | | | |
| DGC...-GK | 18 | 29 | 37 | 53 | 100 | 137 | 157 |
| DGC...-GV | 18 | 29 | 37 | 53 | 100 | 137 | – |
| Moving mass | | | | | | | |
| DGC...-GK | 64 | 136 | 227 | 360 | 1095 | 1782 | 5000 |
| DGC...-GV | 130 | 261 | 427 | 700 | 1713 | 2704 | – |

Materials

Sectional view



| Linear drives | |
|------------------------------|--------------------|
| [1] Slide | Anodised aluminium |
| [2] Sealing band/cover strip | Polyurethane/steel |
| [3] Cover | Painted aluminium |
| [4] Cylinder barrel | Anodised aluminium |
| – Piston seal | Polyurethane |
| – Slide elements | Polyacetal |
| – Note on materials | RoHS-compliant |

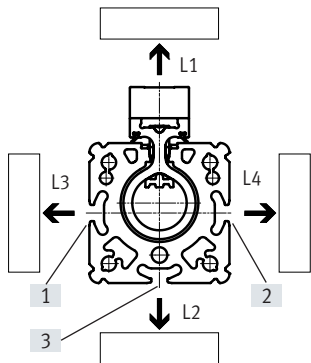
Datasheet

Influence of ferritic materials on proximity switches

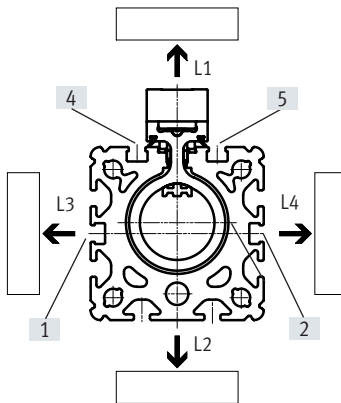
Ferritic materials (steel parts or sheet metal) in the immediate vicinity of the proximity sensors can cause sensing malfunctions. The following safety distances must be observed.

The distance depends on the position of the proximity switch (see [1] and [2]).

Piston \varnothing 18/25



Piston \varnothing 32 ... 80



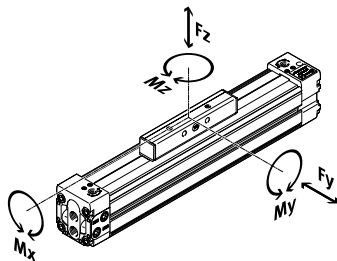
| Position | | L1 | L2 | L3 | L4 |
|---|------|----|----|----|----|
| Piston \varnothing 18 | | | | | |
| [1] | [mm] | 0 | 10 | 30 | 0 |
| [2] | [mm] | 0 | 10 | 0 | 30 |
| [3] | [mm] | 0 | 30 | 10 | 10 |
| Piston \varnothing 25 | | | | | |
| [1] | [mm] | 0 | 0 | 10 | 0 |
| [2] | [mm] | 0 | 0 | 0 | 10 |
| [3] | [mm] | 0 | 10 | 0 | 0 |

| Position | | L1 | L2 | L3 | L4 |
|---|------|----|----|----|----|
| Piston \varnothing 32 | | | | | |
| [1] | [mm] | 0 | 0 | 10 | 0 |
| [2] | [mm] | 0 | 0 | 0 | 10 |
| [4] and [5] | [mm] | 10 | 0 | 0 | 0 |
| Piston \varnothing 40 | | | | | |
| [1] | [mm] | 0 | 0 | 30 | 0 |
| [2] | [mm] | 0 | 0 | 0 | 30 |
| [4] and [5] | [mm] | 30 | 0 | 0 | 0 |
| Piston \varnothing 50 | | | | | |
| [1] | [mm] | 0 | 0 | 10 | 0 |
| [2] | [mm] | 0 | 0 | 0 | 10 |
| [4] and [5] | [mm] | 10 | 0 | 0 | 0 |
| Piston \varnothing 63 | | | | | |
| [1] | [mm] | 0 | 0 | 20 | 0 |
| [2] | [mm] | 0 | 0 | 0 | 20 |
| [4] and [5] | [mm] | 20 | 0 | 0 | 0 |
| Piston \varnothing 80 | | | | | |
| [1] | [mm] | 0 | 0 | 10 | 0 |
| [2] | [mm] | 0 | 0 | 0 | 10 |
| [4] and [5] | [mm] | 10 | 0 | 0 | 0 |

Datasheet

Load values

The indicated forces and torques refer to the surface of the slide. These values must not be exceeded during dynamic operation. Special attention must be paid to the deceleration phase.



If the drive is simultaneously subjected to several of the forces and torques indicated below, the following equations must be satisfied in addition to the indicated maximum loads:

$$0,4 \cdot \frac{F_{z1}}{F_{z2}} + \frac{M_{x1}}{M_{x2}} + \frac{M_{y1}}{M_{y2}} + 0,2 \cdot \frac{M_{z1}}{M_{z2}} \leq 1$$

$$\frac{F_{z1}}{F_{z2}} \leq 1 \quad \frac{M_{z1}}{M_{z2}} \leq 1$$

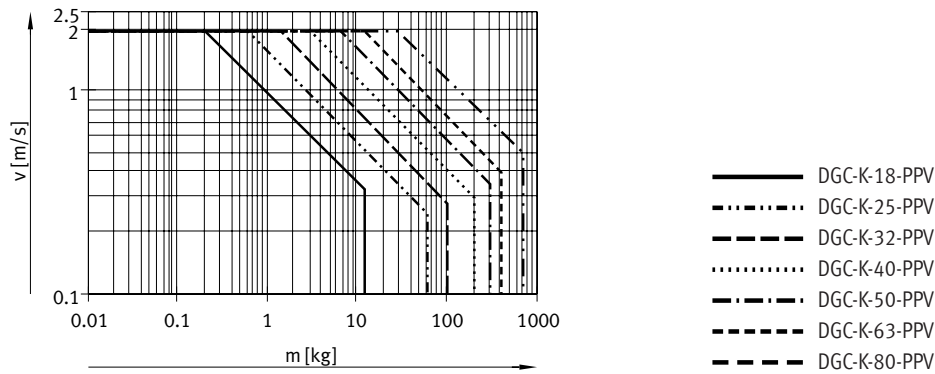
F1/M1 = dynamic value
F2/M2 = maximum value

| Permissible forces and torques | | 18 | 25 | 32 | 40 | 50 | 63 | 80 |
|--------------------------------|------|-----|-----|-----|-----|------|------|------|
| Fz _{max.} | | | | | | | | |
| DGC...-GK | [N] | 120 | 330 | 480 | 800 | 1200 | 1600 | 2500 |
| DGC...-GV | [N] | 120 | 330 | 480 | 800 | 1200 | 1600 | – |
| Mx _{max.} | | | | | | | | |
| DGC...-GK | [Nm] | 0.8 | 1.2 | 1.9 | 3.8 | 6 | 5.7 | 30.6 |
| DGC...-GV | [Nm] | 1.6 | 2.4 | 3.8 | 7.6 | 12 | 11.4 | – |
| My _{max.} | | | | | | | | |
| DGC...-GK | [Nm] | 11 | 20 | 40 | 60 | 120 | 150 | 400 |
| DGC...-GV | [Nm] | 22 | 40 | 80 | 120 | 240 | 300 | – |
| Mz _{max.} | | | | | | | | |
| DGC...-GK | [Nm] | 1 | 3 | 5 | 8 | 15 | 24 | 100 |
| DGC...-GV | [Nm] | 2 | 6 | 10 | 16 | 30 | 48 | – |

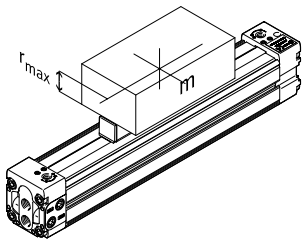
Datasheet

Maximum permissible piston speed v as a function of payload m and distance r_{\max} from centre of mass

These specifications represent the maximum values that can be achieved. In practice, these values can fluctuate relative to the position of the payload and mounting position.



Operating range of the cushioning



The end-position cushioning must be adjusted to ensure jerk-free operation. If the operating conditions are outside the permissible range, the moving mass must be cushioned using suitable equipment (external shock absorbers), preferably at the centre of mass.

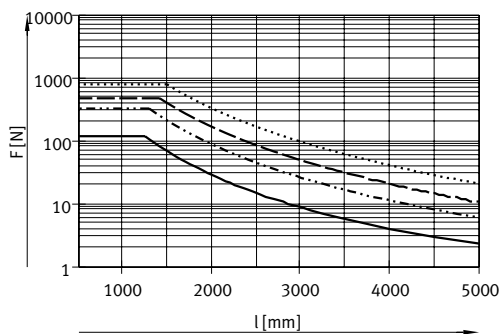
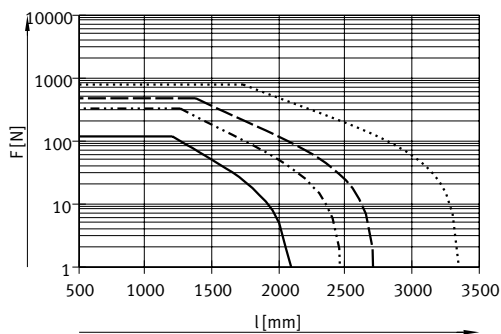
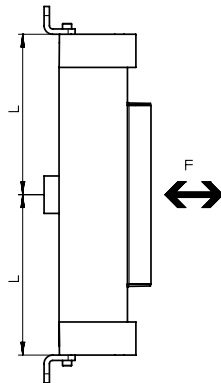
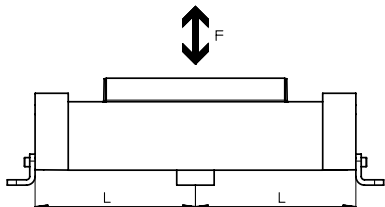
| | | | | | | | |
|--------------------------|----|----|----|----|----|----|----|
| Piston \varnothing | 18 | 25 | 32 | 40 | 50 | 63 | 80 |
| Distance r_{\max} [mm] | 14 | 40 | 40 | 40 | 40 | 40 | 40 |

Datasheet

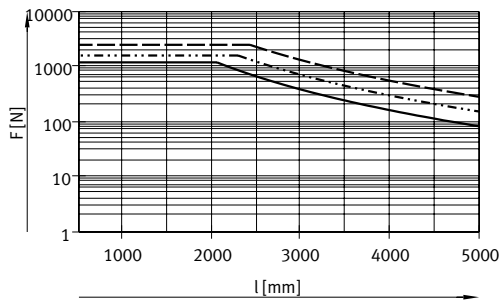
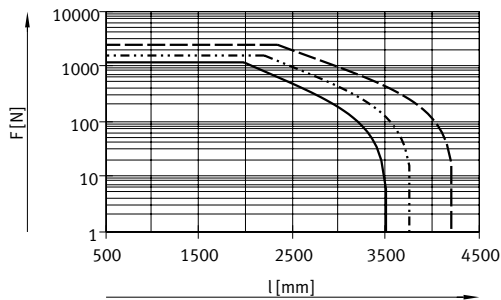
Number of central supports MUP as a function of weight force F and distance l between supports

The drive may need to be supported to limit the deflection in the case of large strokes. The following graphs can be used to determine the maximum permissible support spacing as a function of the mounting position and the applied weight and normal forces.

Mounting position
Horizontal Vertical



- DGC-K-18
- · - · - DGC-K-25
- - - DGC-K-32
- · · · · DGC-K-40



- DGC-K-50
- · - · - DGC-K-63
- - - DGC-K-80

Example:

The drive DGC-K-25-1500 is subjected to a force of 200 N in a horizontal mounting position.

The drive has an overall length of:
 $l = \text{stroke length} + L1$ (see dimensions)
 $= 1500 \text{ mm} + 200 \text{ mm}$
 $= 1700 \text{ mm}$

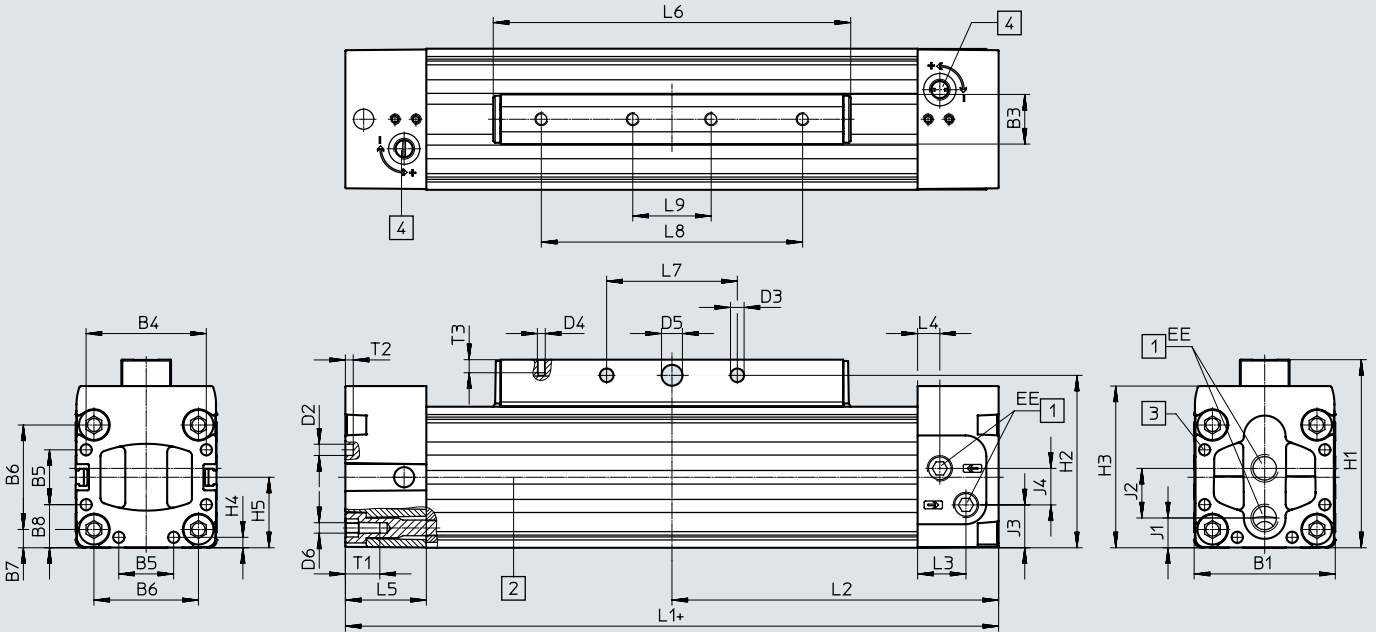
According to the graph, the max. support spacing for the drive DGC-K-25 with a force of 200 N is 1450 mm.

In this example, central supports are required as the max. support spacing (1450 mm) is smaller than the overall length of the drive (1700 mm).

Datasheet

Dimensions

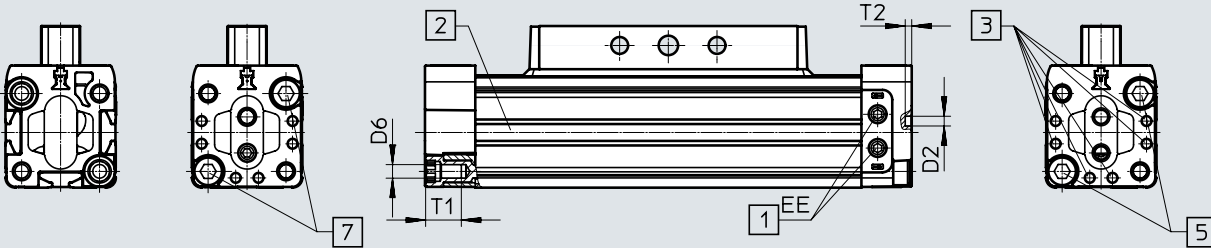
Download CAD data → www.festo.com



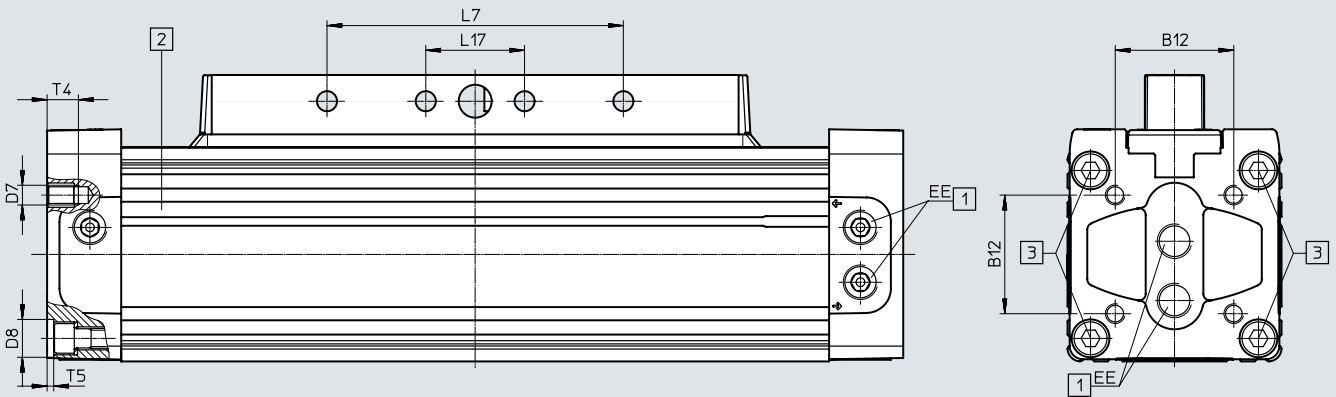
Ø18

Standard

D2



Ø80



+ plus stroke length

- [1] Compressed air supply port options on 3 sides
- [2] Sensor slot for proximity switch
- [3] Mounting holes for foot mounting HP
- [4] Adjusting screw for adjustable end-position cushioning
- [5] No mounting thread here with Ø 18
- [7] No mounting thread here with Ø 18, in combination with variant D2

Datasheet

| ∅ [mm] | B1 | B3 ±0.2 | B4 | B5 | B6 | B7 | B8 | B12 | D2 ∅ | D3 ∅ +0.2 |
|-----------|--------------------------|------------|------|----|------|------|------|-----|---------|-----------------|
| 18 | 34 ^{+0.2/-0.05} | 12 | 28 | 7 | 24 | 5 | 13.5 | – | 3 | 5.2 |
| 25 | 45 ^{+0.4} | 19 | 39.1 | 18 | 32.5 | 6.3 | 13.5 | – | 3.3 | 5.2 |
| 32 | 54 ^{+0.4} | 19 | 46 | 21 | 40 | 7 | 16.5 | – | 4.3 | 5.2 |
| 40 | 64 ^{+0.4} | 21 | 53 | 28 | 49 | 7.5 | 18 | – | 4.3 | 6.5 |
| 50 | 90 ^{+0.4} | 24 | 76 | 44 | 72 | 9 | 23 | – | 6.3 | 8.5 |
| 63 | 106 ^{+0.4} | 24 | 89 | 44 | 83 | 11.5 | 31 | – | 6.3 | 8.5 |
| 80 | 130 ^{+0.8} | 36 | – | – | 102 | 14 | 29 | 72 | – | 12.2 |

| ∅ [mm] | D4 | D5 ∅ | D6 | D7 | D8 ∅ | EE | H1 | H2 | H3 | H4 | H5 |
|-----------|-----|-------------------|----|-----|---------|------|------|------|-------|-----|------|
| 18 | M5 | 6 ^{H7} | M5 | – | – | M5 | 49.8 | 43.8 | 37.6 | 3 | 17 |
| 25 | M5 | 8 ^{H7} | M4 | – | – | G1/8 | 63 | 57 | 51 | 3 | 22.5 |
| 32 | M5 | 8 ^{H7} | M5 | – | – | G1/8 | 72 | 66 | 61.8 | 4 | 27 |
| 40 | M6 | 10 ^{H7} | M5 | – | – | G1/4 | 86 | 78 | 71.8 | 5.5 | 32 |
| 50 | M8 | 12 ^{H7} | M6 | – | – | G1/4 | 115 | 106 | 99 | 7 | 45 |
| 63 | M8 | 12 ^{H7} | M8 | – | – | G3/8 | 131 | 122 | 115 | 8.5 | 53 |
| 80 | M12 | 20 ^{H10} | – | M12 | 23 | G1/2 | 174 | 158 | 140.5 | – | 85 |

| ∅ [mm] | J1 | J2 | J3 | J4 | L1 | | L2 | | L3 | L4 | L5 |
|-----------|------|------|------|------|-----|-----|-----|-----|------|------|------|
| | | | | | GK | GV | GK | GV | | | |
| 18 | 10.7 | 11.1 | 12.2 | 10.4 | 150 | 230 | 75 | 115 | 5 | 5 | 15.5 |
| 25 | 9 | 16.7 | 15.7 | 13 | 200 | 300 | 100 | 150 | 17 | 7 | 25 |
| 32 | 11.4 | 19 | 17.1 | 14 | 250 | 380 | 125 | 190 | 18.5 | 8.5 | 31 |
| 40 | 13.5 | 22 | 19.5 | 21 | 300 | 470 | 150 | 235 | 11.5 | 11.5 | 31 |
| 50 | 21 | 30.8 | 27 | 29.3 | 350 | 550 | 175 | 275 | 14 | 14 | 34 |
| 63 | 25 | 36 | 32 | 33 | 400 | 650 | 200 | 325 | 13.5 | 13.5 | 34 |
| 80 | 37 | 36 | 48.1 | 33.3 | 520 | – | 260 | – | 19 | 19 | 45 |

| ∅ [mm] | L6 | | L7 | L8 | L9 | L17 ±0.15 | T1 | T2 | T3 | T4 | T5 |
|-----------|-----|-----|----------|----------|----------|--------------|------|----|------|----|----|
| | GK | GV | | | | | | | | | |
| 18 | 85 | 165 | 30±0.1 | 60±0.1 | – | – | 11 | 2 | 10 | – | – |
| 25 | 109 | 209 | 30±0.1 | 50±0.1 | – | – | 13 | 2 | 7.5 | – | – |
| 32 | 135 | 265 | 50±0.1 | 100±0.1 | 30±0.1 | – | 13.2 | 3 | 7.5 | – | – |
| 40 | 171 | 341 | 70±0.1 | 130±0.1 | 40±0.1 | – | 13.2 | 4 | 10.5 | – | – |
| 50 | 206 | 406 | 80±0.1 | 150±0.1 | 50±0.1 | – | 15.2 | 6 | 12.5 | – | – |
| 63 | 234 | 484 | 110±0.1 | 190±0.1 | 70±0.1 | – | 21.2 | 6 | 12.5 | – | – |
| 80 | 334 | – | 180±0.15 | 230±0.15 | 115±0.15 | 60 | – | – | 19 | 18 | 4 |

| Length tolerance | | ≤ 1000 | ≤ 2000 | ≤ 3000 | ≤ 4000 | ≤ 5000 | ≤ 6000 | ≤ 7000 | ≤ 8000 | ≤ 9000 |
|------------------|------|--------|--------|--------|--------|--------|--------|--------|--------|--------|
| For stroke | [mm] | | | | | | | | | |
| L1 | [mm] | ±0.45 | ±0.55 | ±0.70 | ±0.75 | ±0.80 | ±0.85 | ±1.10 | ±1.15 | ±1.20 |

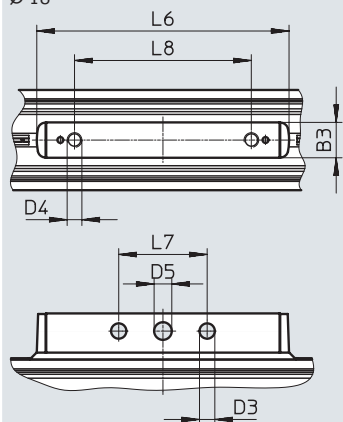
Datasheet

Dimensions

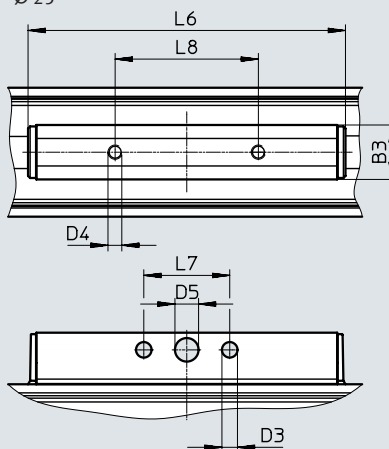
Download CAD data → www.festo.com

GK – Standard piston

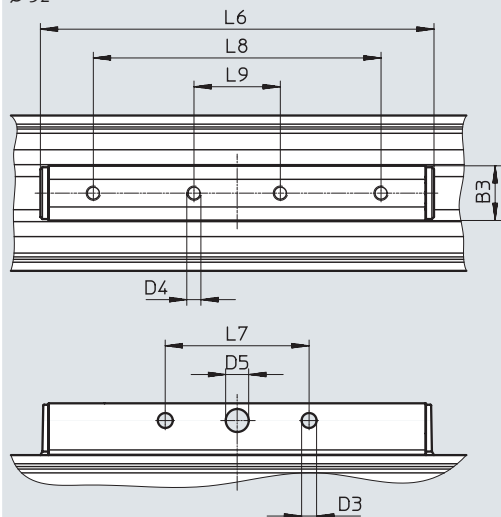
∅ 18



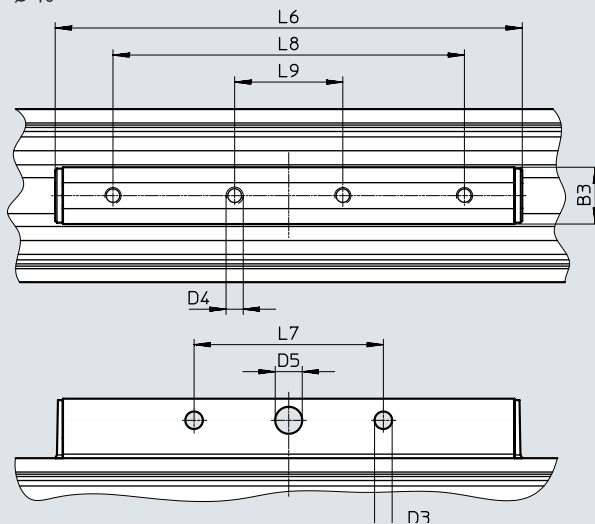
∅ 25



∅ 32



∅ 40



| ∅ | B3 | D3 ∅ | D4 | D5 ∅ | L6 | L7 | L8 | L9 |
|------|------|---------|----|---------|-----|------|------|------|
| [mm] | ±0.2 | +0.2 | | H7 | | ±0.1 | ±0.1 | ±0.1 |
| 18 | 12 | 5.2 | M5 | 6 | 85 | 30 | 60 | – |
| 25 | 19 | 5.2 | M5 | 8 | 109 | 30 | 50 | – |
| 32 | 19 | 5.2 | M5 | 8 | 135 | 50 | 100 | 30 |
| 40 | 21 | 6.5 | M6 | 10 | 171 | 70 | 130 | 40 |

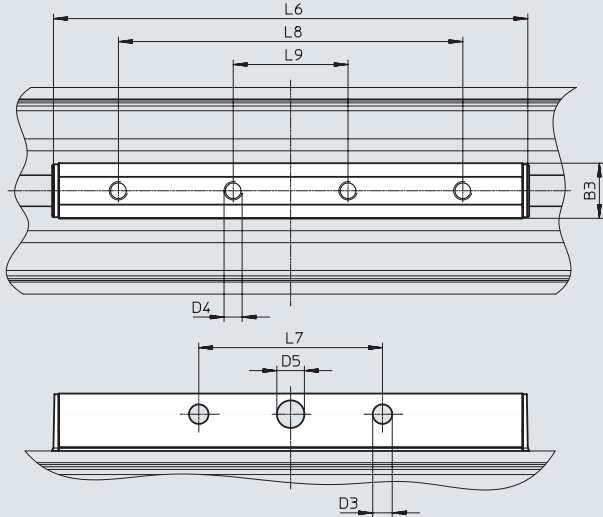
Datasheet

Dimensions

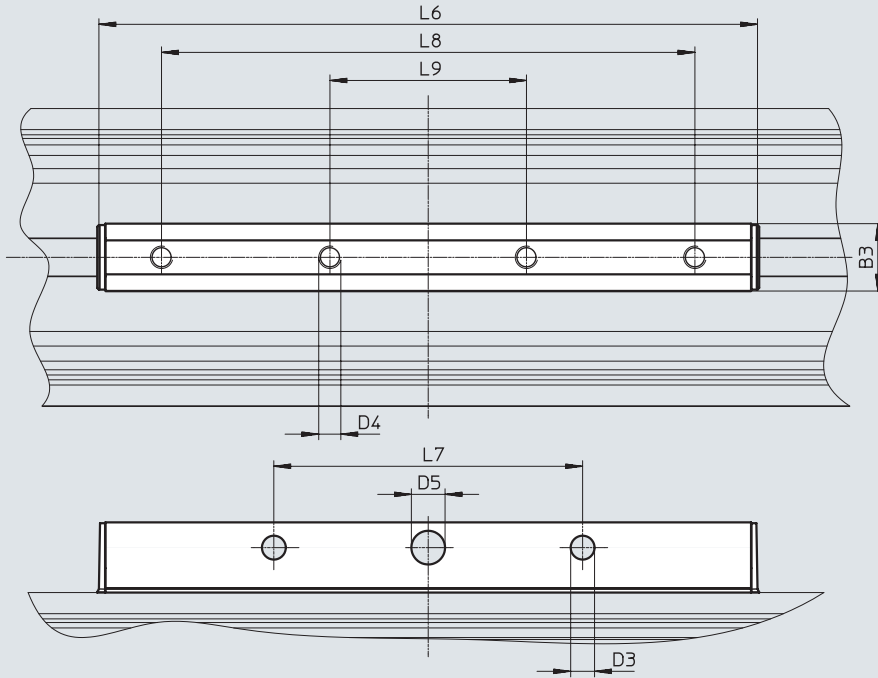
Download CAD data → www.festo.com

GK – Standard piston

∅ 50



∅ 63



| ∅ | B3 | D3 | D4 | D5 | L6 | L7 | L8 | L9 |
|------|------|-----------|----|---------|-----|------|------|------|
| [mm] | ±0.2 | ∅ +0.2 | | ∅ H7 | | ±0.1 | ±0.1 | ±0.1 |
| 50 | 24 | 8.5 | M8 | 12 | 206 | 80 | 150 | 50 |
| 63 | 24 | 8.5 | M8 | 12 | 234 | 110 | 190 | 70 |

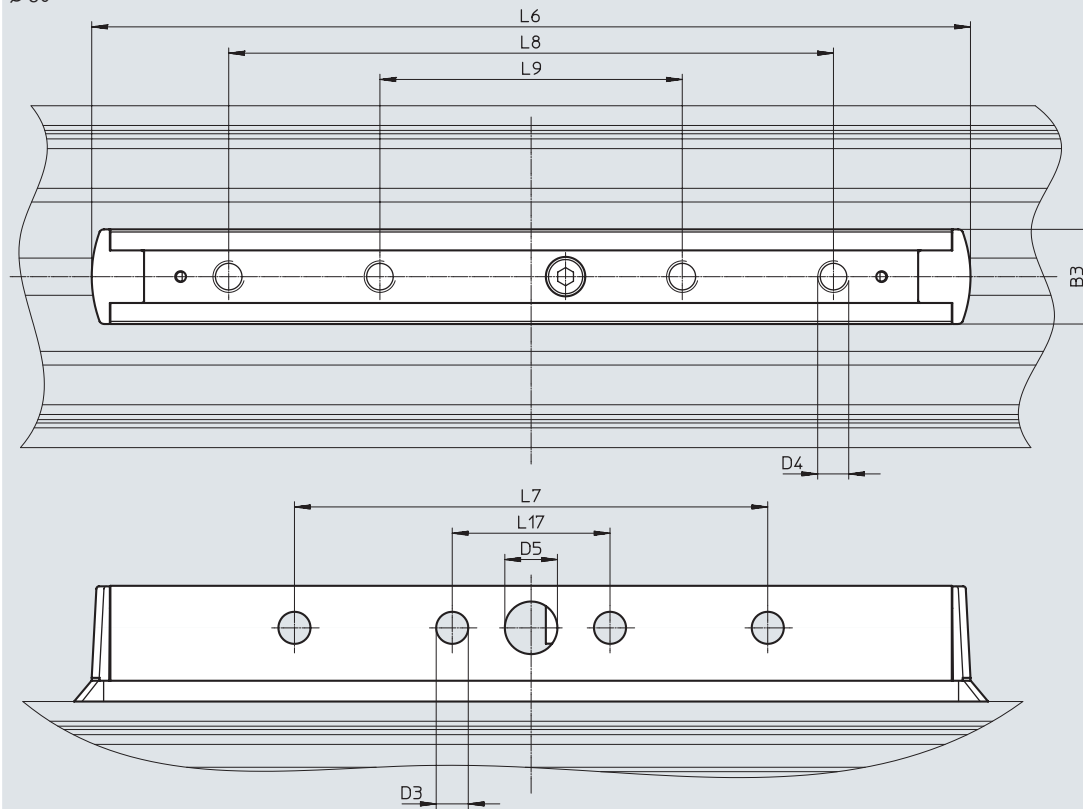
Datasheet

Dimensions

Download CAD data → www.festo.com

GK – Standard piston

∅ 80



| ∅ | B3 | D3 | D4 | D5 | L6 | L7 | L8 | L9 | L17 |
|------|------|-----------|-----|-----|-----|-------|-------|-------|-----|
| [mm] | ±0.2 | ∅ +0.2 | | H10 | | ±0.15 | ±0.15 | ±0.15 | |
| 80 | 36 | 12.2 | M12 | 20 | 334 | 180 | 230 | 115 | 60 |

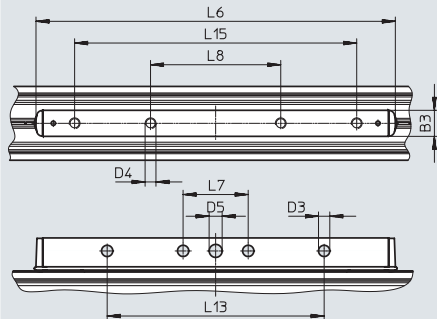
Datasheet

Dimensions

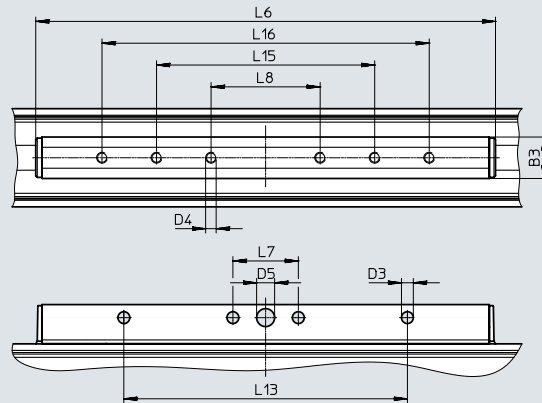
Download CAD data → www.festo.com

GV – Extended piston

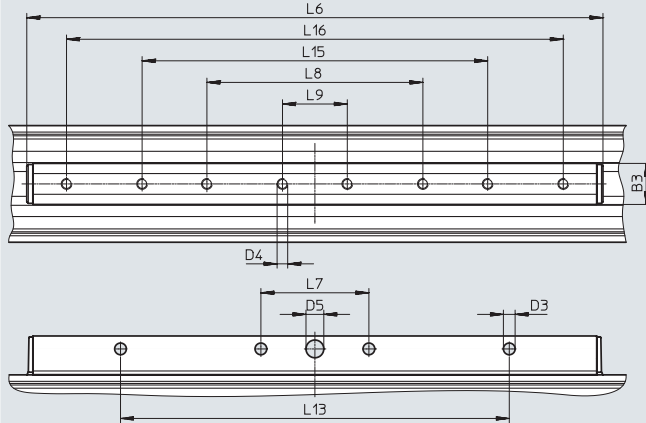
∅ 18



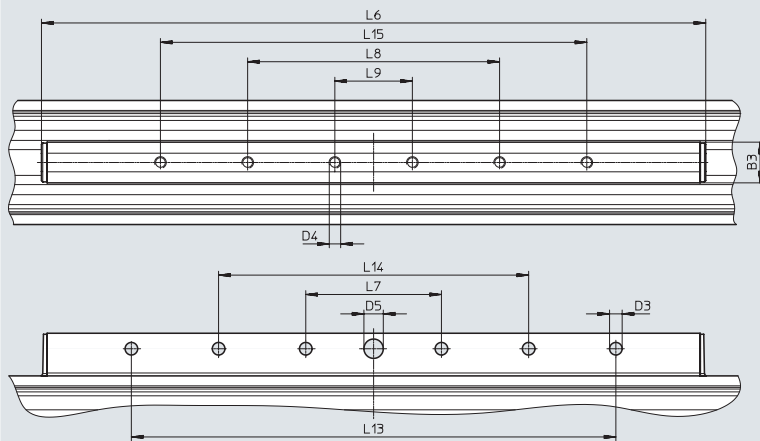
∅ 25



∅ 32



∅ 40



| ∅ | B3 | D3 ∅ | D4 | D5 ∅ H7 | L6 | L7 | L8 | L9 | L13 | L14 | L15 | L16 |
|------|------|---------|----|---------------|-----|------|------|------|------|------|------|------|
| [mm] | ±0.2 | +0.2 | | | | ±0.1 | ±0.1 | ±0.1 | ±0.1 | ±0.1 | ±0.1 | ±0.1 |
| 18 | 12 | 5.2 | M5 | 6 | 165 | 30 | 60 | – | 100 | – | 130 | – |
| 25 | 19 | 5.2 | M5 | 8 | 209 | 30 | 50 | – | 130 | – | 100 | 150 |
| 32 | 19 | 5.2 | M5 | 8 | 265 | 50 | 100 | 30 | 180 | – | 160 | 230 |
| 40 | 21 | 6.5 | M6 | 10 | 341 | 70 | 130 | 40 | 160 | 250 | 220 | – |

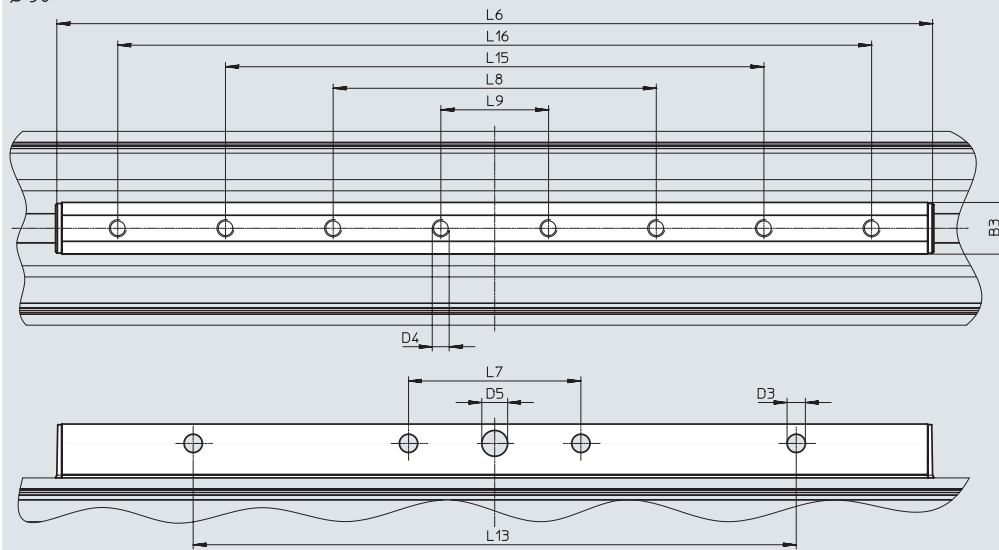
Datasheet

Dimensions

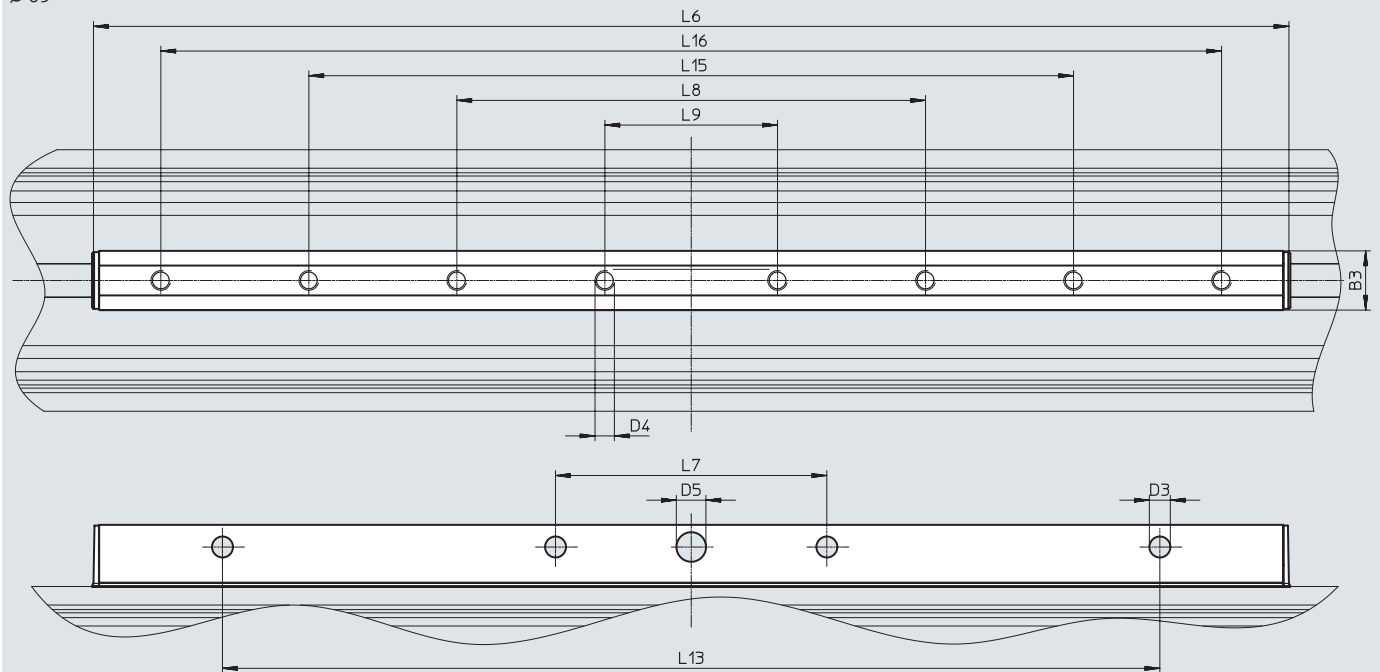
Download CAD data → www.festo.com

GV – Extended piston

∅ 50



∅ 63



| ∅ | B3 | D3 ∅ | D4 | D5 ∅ H7 | L6 | L7 | L8 | L9 | L13 | L15 | L16 |
|------|------|---------|----|---------------|-----|------|------|------|------|------|------|
| [mm] | ±0.2 | +0.2 | | | | ±0.1 | ±0.1 | ±0.1 | ±0.1 | ±0.1 | ±0.1 |
| 50 | 24 | 8.5 | M8 | 12 | 406 | 80 | 150 | 50 | 280 | 250 | 350 |
| 63 | 24 | 8.5 | M8 | 12 | 484 | 110 | 190 | 70 | 380 | 310 | 430 |

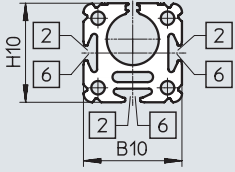
Datasheet

Dimensions

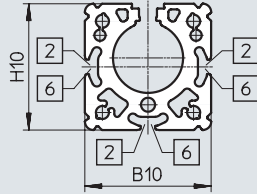
Profile barrel

Download CAD data → www.festo.com

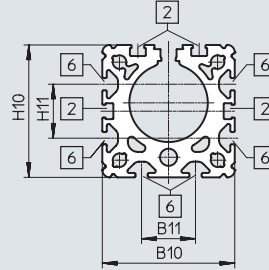
∅ 18



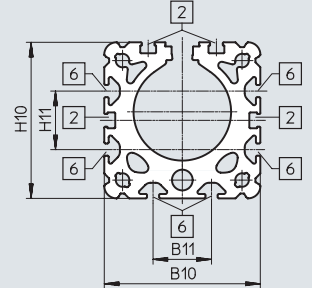
∅ 25



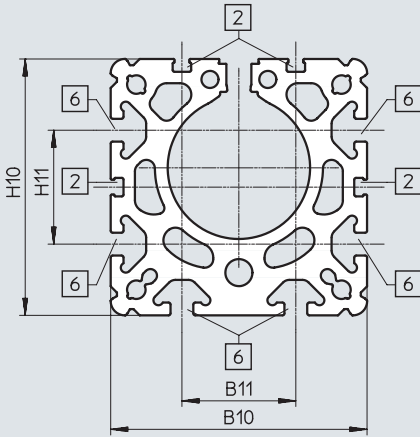
∅ 32



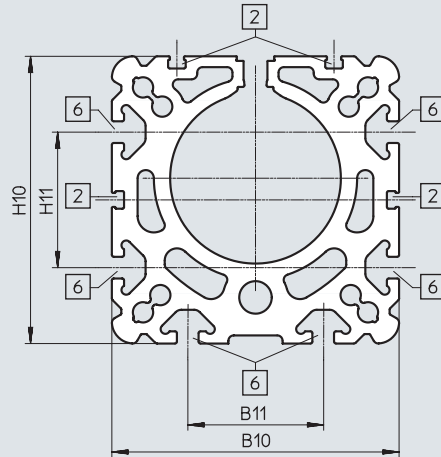
∅ 40



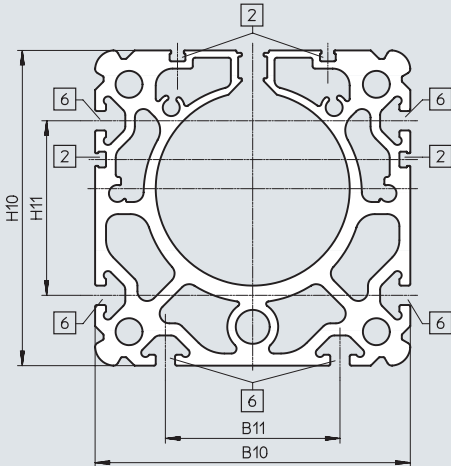
∅ 50



∅ 63



∅ 80



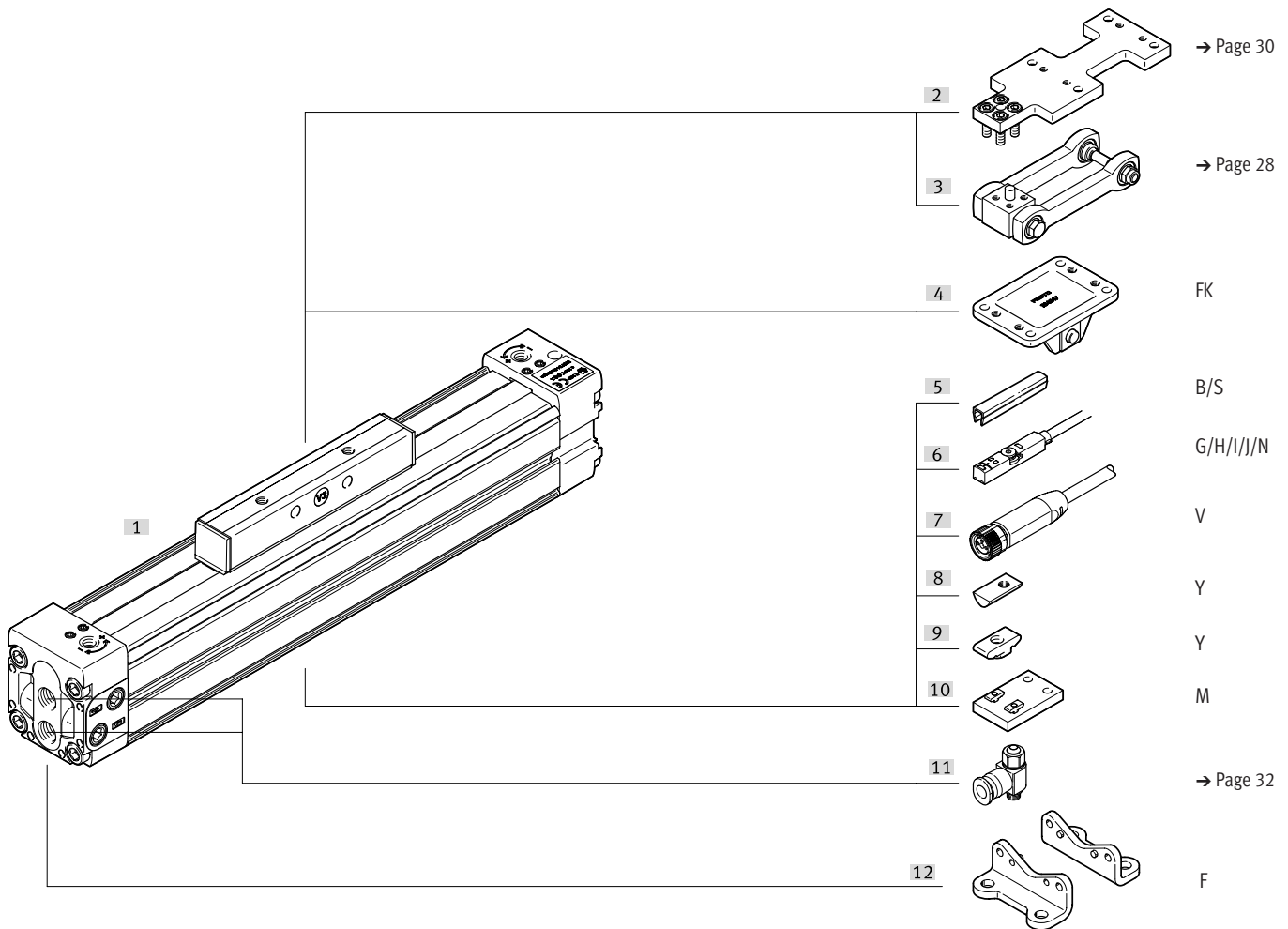
- [2] Sensor slot for proximity switch
- [6] Mounting slot for slot nut

| ∅ [mm] | B10 | B11 | H10 | H11 |
|--------|-----|-----|-----|-----|
| 18 | 34 | – | 34 | – |
| 25 | 45 | – | 45 | – |
| 32 | 54 | 22 | 54 | 22 |
| 40 | 64 | 24 | 64 | 24 |
| 50 | 90 | 40 | 90 | 40 |
| 63 | 106 | 50 | 106 | 50 |
| 80 | 130 | 72 | 130 | 72 |

Ordering data – Modular product system

Order code

- ¶ - Note: The item numbers refer to the peripherals overview → Page 7



Ordering data – Modular product system

| Ordering table | | | | | | | | | | | |
|---|---|-------------|----------|---------|------------|--------------------------|------------|-----------------|---------|---------------|------|
| Size | 18 | 25 | 32 | 40 | 50 | 63 | 80 | Condi- tions | Code | Enter code | |
| Module no. | 1312500 | 1312501 | 1312502 | 1312503 | 1312504 | 1312505 | 1312506 | | | | |
| Function | Linear drive | | | | | | | | DGC | DGC | |
| Guide | Compact | | | | | | | | ★ -K | -K | |
| Piston ø [mm] | 18 | 25 | 32 | 40 | 50 | 63 | 80 | | ★ -... | | |
| Stroke [mm] | 1 ... 3000 | 1 ... 8500 | | | 1 ... 6000 | 1 ... 5000 ¹⁾ | 1 ... 3000 | | ★ -... | | |
| Cushioning | Pneumatic cushioning, adjustable at both ends | | | | | | | | ★ -PPV | -PPV | |
| Position sensing | Via proximity switch | | | | | | | | ★ -A | -A | |
| Basic design | Piston, standard | | | | | | | | ★ -GK | | |
| | Piston, extended | | | | | | | | - | -GV | |
| Compressed air supply port | At one end | | | | | | | | ★ | | |
| | At both ends | | | | | | | | [1] | -D2 | |
| Lubrication | standard | | | | | | | | ★ | | |
| | Food-safe lubrication | | | | | | | | | -H1 | |
| Moment compensator | None | | | | | | | | ★ | | |
| | Coupling for moment compensator | | | | | | | | | ★ -FK | |
| EU certification | None | | | | | | | | ★ | | |
| | II 3GD | | | | | | | | [2] | -EX2 | |
| | II 2G | | | | | | | | [2] | -EX3 | |
| Accessories | Enclosed separately (can be retrofitted) | | | | | | | | | ZUB- | ZUB- |
| Foot mounting | 1 | | | | | | | | | F | |
| Central support | 1 ... 10 | | | | | | | | | ...M | |
| Slot nut for mounting slot | 1 ... 10 | | | | | | | | [3] [1] | ...Y | |
| Slot cover for mounting slot | - | - | 1 ... 10 | | | | | | | ...B | |
| | Proximity sensor, N/O contact | 2.5 m cable | 1 ... 10 | | | | | | | ...G | |
| Proximity sensor, N/O contact, contactless, PNP | 2.5 m cable | 1 ... 10 | | | | | | | ...I | | |
| | Plug M8 | 1 ... 10 | | | | | | | ...J | | |
| Proximity sensor, N/C contact | 1 ... 10 | | | | | | | ...N | | | |
| | 7.5 m cable | | | | | | | | | | |
| Connecting cable | M8, 2.5 m | 1 ... 10 | | | | | | | ...V | | |
| Slot cover, sensor slot | 1 ... 10 | | | | | | | | | ...S | |

1) Stroke max. 4800 mm with piston ø 63 with variant GV

[1] Y + D2 The following applies to sizes 18 and 25: entry "1Y" = delivery quantity of 4 pieces

[2] EX2, EX3 Not with proximity sensor G, H, I, J, N or connecting cable V

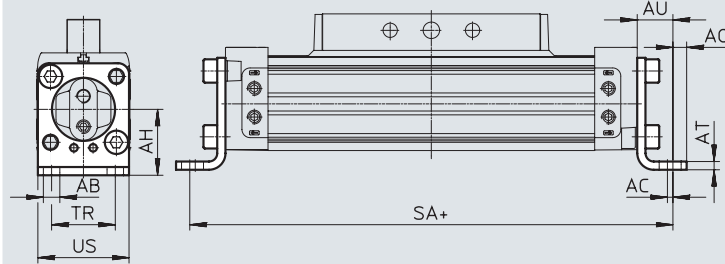
[3] Y For sizes 18 and 25 there is just one slot for mounting and proximity sensor

Accessories

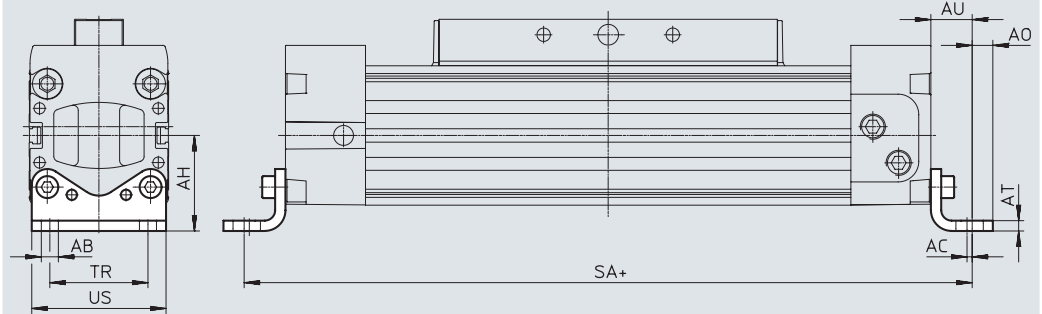
Foot mounting HP (order code: F)

Material:
Galvanised steel

Ø18



Ø25 ... 80



x = plus stroke length

Dimensions and ordering data

| For Ø [mm] | AB Ø | AC | AH | AO | AT | AU | SA | | TR | US | Weight [g] | Part no. | Type ¹⁾ |
|---------------|---------|----|------|------|----|------|-------|-------|------|------|---------------|----------|--------------------|
| | | | | | | | GK | GV | | | | | |
| 18 | 5.5 | 2 | 24 | 4.7 | 3 | 13.3 | 176.6 | 256.6 | 24 | 33.2 | 59 | 158472 | HP-18 |
| 25 | 5.5 | 2 | 29.5 | 6 | 3 | 13 | 226 | 326 | 32.5 | 44 | 61 | 150731 | HP-25 |
| 32 | 6.6 | 2 | 37 | 7 | 4 | 17 | 284 | 414 | 38 | 52 | 117 | 150732 | HP-32 |
| 40 | 6.6 | 2 | 46 | 8.5 | 5 | 17.5 | 335 | 505 | 45 | 62 | 188 | 150733 | HP-40 |
| 50 | 9 | 3 | 61 | 11 | 6 | 25 | 400 | 600 | 65 | 87 | 243 | 150734 | HP-50 |
| 63 | 11 | 3 | 69 | 13.5 | 6 | 28 | 456 | 706 | 75 | 102 | 305 | 150735 | HP-63 |
| 80 | 13 | 3 | 85 | 12 | 8 | 28 | 576 | – | 72 | 128 | 620 | 158453 | HP-80 |

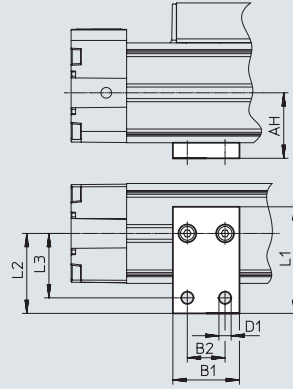
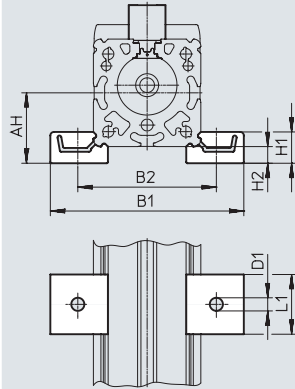
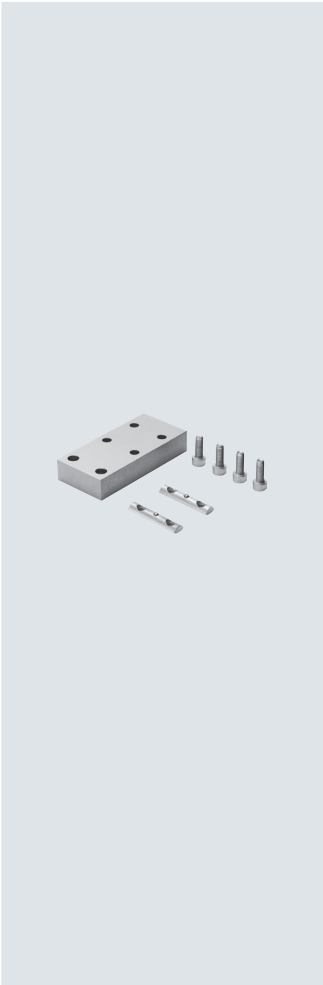
1) Suitable for ATEX

Accessories

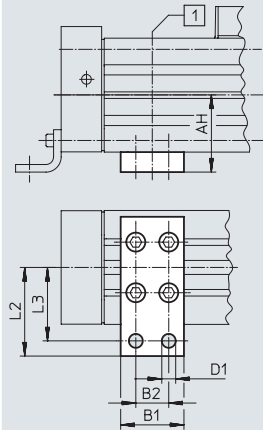
Central support MUP
(order code: M)

Material:
Anodised aluminium
∅ 18/25 with MUP-18/25

∅ 18/25 with MUP-18/25-P
Mounting on one side only



∅ 32 ... 80



[1] Position of the central support along the profile barrel is freely selectable

Dimensions and ordering data

| For ∅ [mm] | AH | B1 | B2 | D1 ∅ | H1 | H2 | L1 | L2 | L3 | Weight [g] | Part no. | Type ²⁾ |
|---------------|------|------|----|---------|----|----|----|------|----|---------------|----------|---------------------------|
| 18 | 24 | 70.5 | 47 | 5.5 | 13 | 7 | 25 | – | – | 33 | 150736 | MUP-18/25 |
| | 24 | 30 | 17 | 5.5 | – | – | 48 | 36 | 29 | 32 | 1711704 | MUP-18/25-P ¹⁾ |
| 25 | 29.5 | 81 | 58 | 5.5 | 13 | 7 | 25 | – | – | 33 | 150736 | MUP-18/25 |
| | 29.5 | 30 | 17 | 5.5 | – | – | 48 | 36 | 29 | 32 | 1711704 | MUP-18/25-P ¹⁾ |
| 32 | 37 | 35 | 22 | 6.6 | – | – | – | 41.5 | 35 | 89 | 150737 | MUP-32 |
| 40 | 46 | 35 | 22 | 6.6 | – | – | – | 47 | 40 | 126 | 150738 | MUP-40 |
| 50 | 61 | 50 | 26 | 11 | – | – | – | 70 | 58 | 241 | 150739 | MUP-50 |
| 63 | 69 | 50 | 26 | 11 | – | – | – | 77 | 65 | 340 | 150800 | MUP-63 |
| 80 | 85 | 50 | 26 | 11 | – | – | – | 88 | 76 | 590 | 158455 | MUP-80 |

1) This central support cannot be ordered using order code M in the modular product system.

2) Suitable for ATEX

Accessories

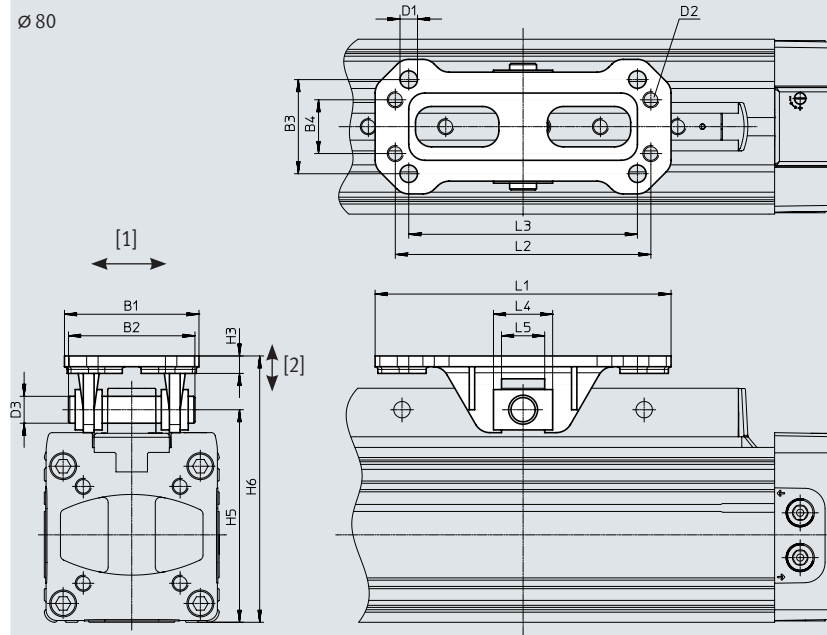
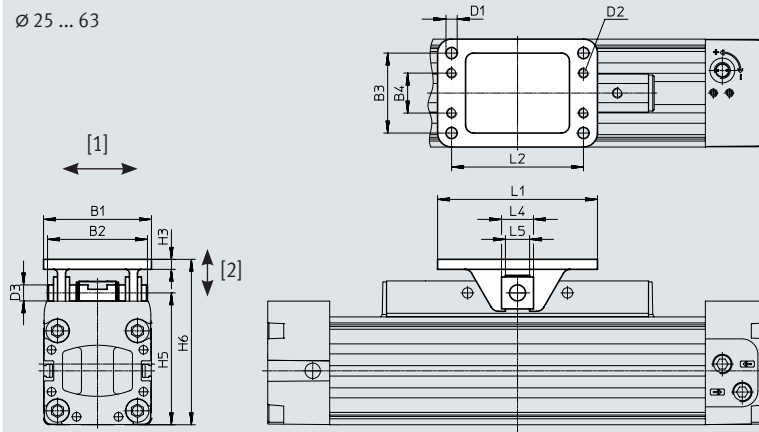
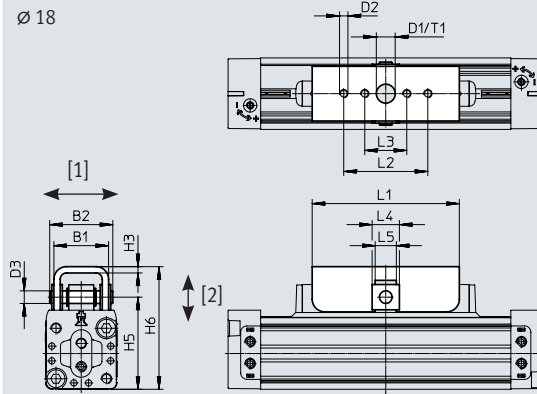
Moment compensator DARD-S
(order code: FK)

Materials:
Bolt: high-alloy steel

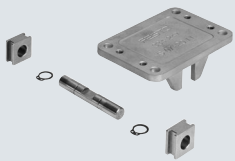
Clevis: high-alloy steel
Sliding piece: Brass

Circlip: Spring steel

The moment compensator DARD-S has the same interface as the moment compensator FKP for the linear drive DGP. Use moment compensator DARD-M in servo-pneumatic systems.



Note: Compensation possible in direction of arrow.



Accessories

| Technical data | | | | | |
|---------------------------|---|------|--|-----------------------------|---------------|
| For \varnothing [mm] | Max. offset between linear drive and external guide | | Max. permissible load in the direction of force [N] | Ambient temperature [°C] | Weight [g] |
| | [1] [mm] | [2] | | | |
| 18 | ±1.8 | ±1.2 | 550 | -20 ... +120 | 104 |
| 25 | ±2 | ±2 | 1100 | | 231 |
| 32 | | | 1100 | | 231 |
| 40 | | | 1800 | | 362 |
| 50 | | | 2500 | | 712 |
| 63 | | | 2500 | | 712 |
| 80 | ±4 | ±4 | 7000 | | 1955 |

| Dimensions and ordering data | | | | | | | | | | |
|------------------------------|-----|----|----|----|---------------------|-----|---------------------|----|------|-------|
| For \varnothing [mm] | B1 | B2 | B3 | B4 | D1 \varnothing | D2 | D3 \varnothing | H3 | H5 | H6 |
| 18 | 26 | 30 | – | – | 9 ^{H7} | M4 | 6 | 3 | 43.8 | 57.8 |
| 25 | 54 | 50 | 40 | 20 | 5.5 | M5 | 8 | 5 | 57 | 75 |
| 32 | | | | | 5.6 | | | | 66 | 84 |
| 40 | 58 | 60 | 44 | 24 | 6.6 | M6 | 10 | 6 | 78 | 99 |
| 50 | 71 | 63 | 51 | 23 | 9 | M8 | 12 | 8 | 106 | 130 |
| 63 | | | | | | | | | 122 | 146 |
| 80 | 100 | 94 | 70 | 40 | 13 | M12 | 20 | 13 | 158 | 194.5 |

| For \varnothing [mm] | L1 | L2 | L3 | L4 | L5 | T1 | Part no. | Type |
|---------------------------|-----|-----|-----|----|------|-----|----------|--------------|
| 18 | 70 | 40 | 20 | 13 | 10.1 | 2.1 | 8001411 | DARD-L1-18-S |
| 25 | 80 | 66 | – | 16 | 12.1 | – | 8001412 | DARD-L1-32-S |
| 32 | | | | | | | 8001412 | DARD-L1-32-S |
| 40 | 90 | 76 | – | 18 | 14.1 | – | 8001413 | DARD-L1-40-S |
| 50 | 122 | 102 | – | 22 | 16.1 | – | 8001414 | DARD-L1-63-S |
| 63 | | | | | | | 8001414 | DARD-L1-63-S |
| 80 | 220 | 190 | 170 | 44 | 32.1 | – | 8001415 | DARD-L1-80-S |

Accessories

Moment compensator DARD-M

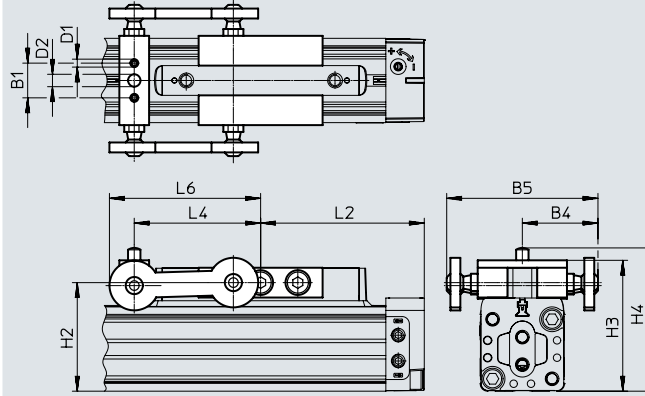
Almost backlash-free

Material:

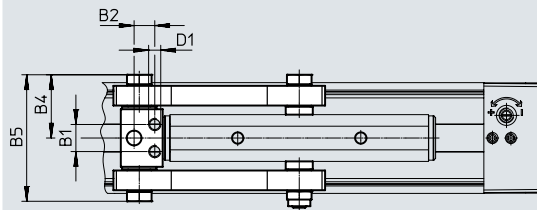
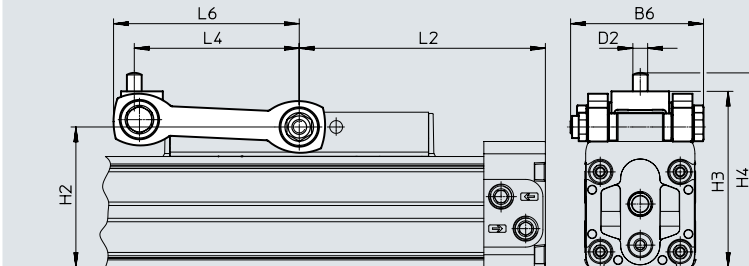
Galvanised steel



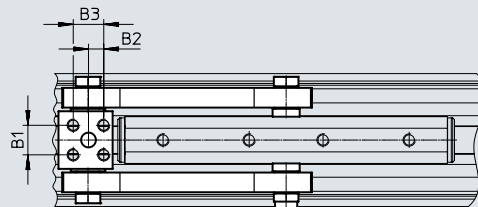
∅ 18



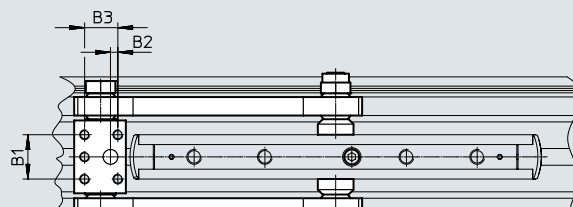
∅ 25 ... 80



∅ 32 ... 63



∅ 80



Accessories

| Technical data | | | | |
|---------------------------|--|--|-----------------------------|---------------|
| For \varnothing [mm] | Max. offset between linear drive and external guide ¹⁾ [mm] | Max. permissible load in the direction of force [N] | Ambient temperature [°C] | Weight [g] |
| 18 | ±2.5 | 400 | -10 ... +60 | 94 |
| 25 | | 800 | | 240 |
| 32 | | 1300 | | 275 |
| 40 | | 2000 | | 580 |
| 50 | ±4 | 3150 | | 960 |
| 63 | | 5000 | | 1000 |
| 80 | | 7800 | | 2815 |

1) Laterally and vertically.

| Dimensions and ordering data | | | | | | | | | |
|------------------------------|----|------|------|----------|-------|------|---------------------|---------------------|------|
| For \varnothing [mm] | B1 | B2 | B3 | B4 | B5 | B6 | D1 \varnothing | D2 \varnothing | H2 |
| 18 | 14 | – | – | 30.5±2.5 | 61 | – | M3x6.2 | 5 | 43.8 |
| 25 | 11 | 8.4 | – | 25.7±2.5 | 51.4 | 54 | M5x17 | 6 | 57 |
| 32 | 12 | 6.2 | 12.4 | 25.7±2.5 | 51.4 | 54 | M5x13 | 6 | 66 |
| 40 | 18 | 11 | 17 | 36±2.5 | 72 | 75.3 | M6x16 | 8 | 78 |
| 50 | 26 | 12.6 | 19 | 44±4 | 88 | 96.4 | M8x18 | 10 | 106 |
| 63 | 26 | 12.6 | 19 | 44±4 | 88 | 96.4 | M8x18 | 10 | 122 |
| 80 | 36 | 6 | 27 | 61.6±4 | 123.2 | 130 | M8x26.6 | 12 | 158 |

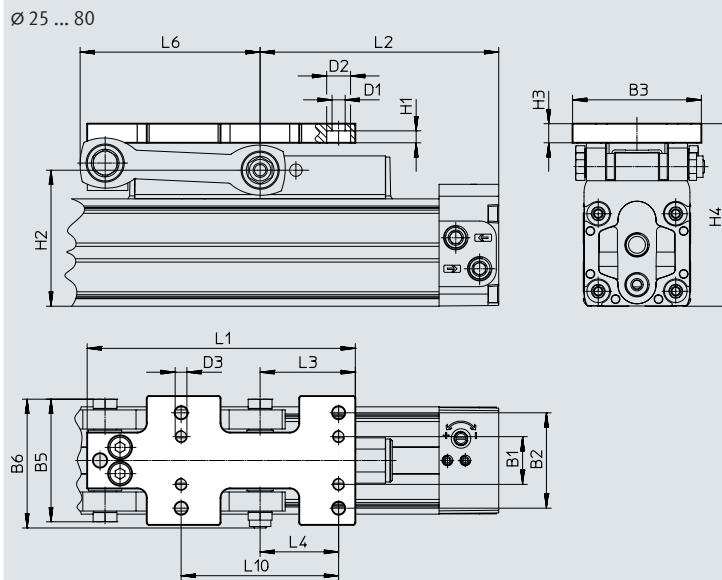
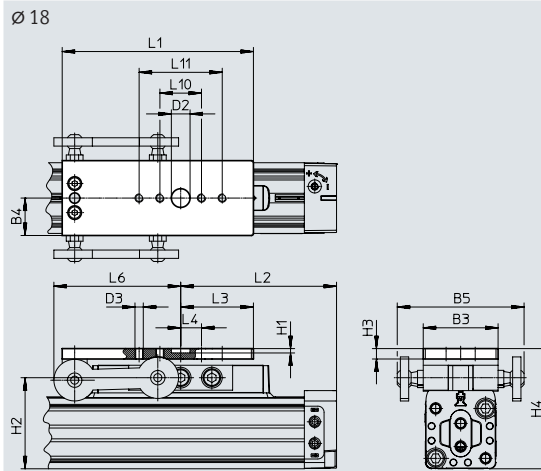
| For \varnothing [mm] | H3 | H4 | L2 | L4 | L6 max. | Part no. | Type |
|---------------------------|----------|-----------|-----|-------|------------|----------|--------------|
| 18 | 52.8±2.5 | 57.8±2.5 | 75 | 51 | 61 | 2349274 | DARD-L1-18-M |
| 25 | 71.5±2.5 | 79±2.5 | 100 | 67.1 | 75.5 | 2349275 | DARD-L1-25-M |
| 32 | 80.5±2.5 | 88±2.5 | 125 | 80.3 | 91 | 2349276 | DARD-L1-32-M |
| 40 | 94.5±2.5 | 104.5±2.5 | 150 | 104 | 117 | 2349277 | DARD-L1-40-M |
| 50 | 125.5±4 | 135.5±4 | 175 | 124 | 139 | 2349278 | DARD-L1-50-M |
| 63 | 142±4 | 152±4 | 200 | 138 | 153 | 2349279 | DARD-L1-63-M |
| 80 | 187.5±4 | 199.5±4 | 260 | 182.9 | 212.5 | 2349280 | DARD-L1-80-M |

Accessories

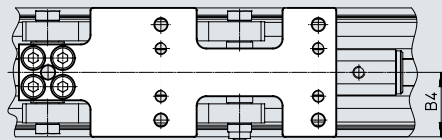
Adapter plate DAMF

Material:
Galvanised steel

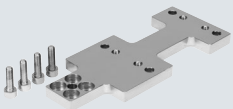
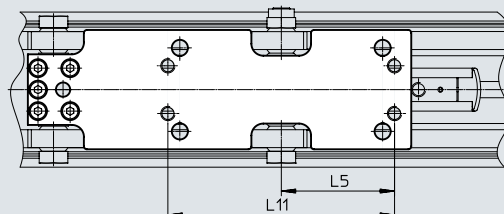
The adapter plate DAMF has the same interface as the moment compensator FKP for the linear drive DGP.



Ø 32 ... 63



Ø 80









Accessories

| Dimensions and ordering data | | | | | | | | |
|------------------------------|----|----|-----|--------|-------|------|---------|---------|
| For ø | B1 | B2 | B3 | B4 | B5 | B6 | D1 ø | D2 ø |
| [mm] | | | | ±2.5 | | | | |
| 18 | – | – | 36 | 18±2.5 | 61 | – | – | 9 |
| 25 | 20 | 40 | 54 | 27±2.5 | 51.4 | 54 | 5.5 | 10 |
| 32 | 20 | 40 | 54 | 27±2.5 | 51.4 | 54 | 5.5 | 10 |
| 40 | 24 | 44 | 58 | 29±2.5 | 72 | 75.3 | 6.6 | 11 |
| 50 | 23 | 51 | 71 | 35±4 | 88.1 | 96.4 | 9 | 15 |
| 63 | 23 | 51 | 71 | 35±4 | 88.1 | 96.4 | 9 | 15 |
| 80 | 40 | 70 | 100 | 50±4 | 123.2 | 130 | 13.5 | 20 |

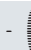
| For ø | D3 | H1 | H2 | H3 | H4 | L1 | L2 | L3 |
|-------|-----|-----|------|----|----------|-------|-----|------|
| [mm] | | | | | | | | |
| 18 | M4 | 2.1 | 43.8 | 5 | 57.8±2.5 | 92 | 75 | 35 |
| 25 | M5 | 5 | 57 | 8 | 75±2.5 | 112.4 | 100 | 40 |
| 32 | M5 | 5 | 66 | 8 | 84±2.5 | 133 | 125 | 40.5 |
| 40 | M6 | 6 | 78 | 10 | 99±2.5 | 162 | 150 | 45 |
| 50 | M8 | 8 | 106 | 10 | 130±4 | 200 | 175 | 61 |
| 63 | M8 | 8 | 122 | 10 | 146±4 | 214 | 200 | 61 |
| 80 | M12 | 9 | 158 | 12 | 194±4 | 322.4 | 260 | 109 |

| For ø | L4 | L5 | L6 max. | L10 | L11 | Weight | Part no. | Type |
|-------|----|----|------------|-----|-----|--------|----------|-------------|
| [mm] | | | | | | | | |
| 18 | 10 | – | 61 | 20 | 40 | 127 | 2349281 | DAMF-18-FKP |
| 25 | 33 | – | 75.5 | 66 | – | 265 | 2349282 | DAMF-25-FKP |
| 32 | 33 | – | 91 | 66 | – | 308 | 2349283 | DAMF-32-FKP |
| 40 | 38 | – | 117 | 76 | – | 593 | 2349284 | DAMF-40-FKP |
| 50 | 51 | – | 139 | 102 | – | 966 | 2349285 | DAMF-50-FKP |
| 63 | 51 | – | 153 | 102 | – | 1042 | 2349286 | DAMF-63-FKP |
| 80 | 85 | 95 | 212.5 | 170 | 190 | 2817 | 2349287 | DAMF-80-FKP |

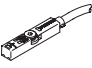
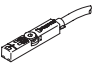
Accessories

| Ordering data | | | | | | |
|--|------------------------------------|--|-----------------|-------------------------|-------------------------|------------------|
| | For \varnothing | Description | Order code | Part no. | Type | PU ¹⁾ |
| Slot nut ABAN/NST ²⁾ Datasheets → Internet: hmbn | | | | | | |
|  | 18, 25 | For mounting slot | Y | 8003032 | ABAN-1M4-5 | 4 |
|  | 18, 25 | <ul style="list-style-type: none"> For mounting slot \varnothing 18 and 25 cannot be used with DGC-...-D2 (compressed air supply port at both ends) | | 526091 | NST-HMV-M4 | 10 |
|  | 32, 40 50, 63, 80 | For mounting slot | | 150914 | NST-5-M5 | 1 |
| | | | | 150915 | NST-8-M6 | |
| Slot cover ABP ²⁾ Datasheets → Internet: abp | | | | | | |
|  | 32, 40 50, 63, 80 | For mounting slot Every 0.5 m | B | 151681 | ABP-5 | 2 |
| | | | | 151682 | ABP-8 | |
|  | 18, 25, 32, 40, 50, 63, 80 | For sensor slot Every 0.5 m | S | 563360 | ABP-5-S1 | 2 |
| One-way flow control valve GRLA Datasheets → Internet: grla | | | | | | |
|  | 18 25, 32 40, 50 63 80 | Metal design | - | ★ 193137 | GRLA-M5-QS-3-D | 1 |
| | | | | ★ 193138 | GRLA-M5-QS-4-D | |
| | | | | ★ 193142 | GRLA-1/8-QS-3-D | |
| | | | | ★ 193143 | GRLA-1/8-QS-4-D | |
| | | | | ★ 193144 | GRLA-1/8-QS-6-D | |
| | | | | ★ 193145 | GRLA-1/8-QS-8-D | |
| | | | | ★ 193146 | GRLA-1/4-QS-6-D | |
| | | | | ★ 193147 | GRLA-1/4-QS-8-D | |
| | | | | ★ 193148 | GRLA-1/4-QS-10-D | |
| | | | | ★ 193149 | GRLA-3/8-QS-6-D1 | |
| | | | | ★ 193150 | GRLA-3/8-QS-8-D | |
| | | | ★ 193151 | GRLA-3/8-QS-10-D | | |
| | | | ★ 193152 | GRLA-1/2-QS-12-D | | |

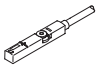
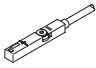
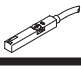

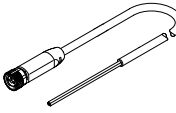
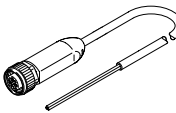
- 1) Packaging unit
- 2) Suitable for ATEX

 Note

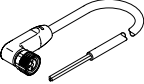
When using the variant DGC-K-...-D2 (compressed air supply port at both ends), only to use proximity sensors that can be inserted in the slot from above can be used.

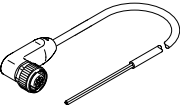
| Ordering data – Proximity switch for T-slot, magneto-resistive | | | | | | |
|--|--|------------------|-----------------------|------------------|----------------------------------|----------------------------------|
| | Type of mounting | Switching output | Electrical connection | Cable length [m] | Part no. | Type |
| N/O Datasheets → Internet: smt | | | | | | |
|  | Inserted in the slot from above, flush with the cylinder profile, short design | PNP | Cable, 3-core | 2.5 | ★ 574335 | SMT-8M-A-PS-24V-E-2.5-OE |
| | | | Plug M8x1, 3-pin | 0.3 | ★ 574334 | SMT-8M-A-PS-24V-E-0.3-M8D |
| | | | Plug M12x1, 3-pin | 0.3 | ★ 574337 | SMT-8M-A-PS-24V-E-0.3-M12 |
| | | NPN | Cable, 3-core | 2.5 | ★ 574338 | SMT-8M-A-NS-24V-E-2.5-OE |
| | Plug M8x1, 3-pin | | 0.3 | ★ 574339 | SMT-8M-A-NS-24V-E-0.3-M8D | |
| N/C | | | | | | |
|  | Inserted in the slot from above, flush with the cylinder profile, short design | PNP | Cable, 3-core | 7.5 | ★ 574340 | SMT-8M-A-PO-24V-E-7.5-OE |

Accessories

| Ordering data – Proximity switch for T-slot, magnetic reed | | | | | | | Datasheets → Internet: sme | |
|---|--|--|---|------------------|-----------|-----------------------------|-----------------------------|--|
| | Type of mounting | Switching output | Electrical connection | Cable length [m] | Part no. | Type | | |
| N/O | | | | | | | | |
|  | Inserted in the slot from above, flush with the cylinder profile | Contacting | Cable, 3-core | 2.5 | ★ 543862 | SME-8M-DS-24V-K-2.5-OE | | |
| | | | | 5.0 | ★ 543863 | SME-8M-DS-24V-K-5.0-OE | | |
| | | | Plug M8x1, 3-pin | Cable, 2-core | 2.5 | ★ 543872 | SME-8M-ZS-24V-K-2.5-OE | |
| | | | | 0.3 | ★ 543861 | SME-8M-DS-24V-K-0.3-M8D | | |
| N/C | | | | | | | | |
|  | Inserted in the slot from above, flush with the cylinder profile | Contacting | Cable, 3-core | 7.5 | ★ 546799 | SME-8M-DO-24V-K-7.5-OE | | |
| Ordering data – Proximity switch for T-slot, NAMUR | | | | | | | Datasheets → Internet: sbdt | |
| | Type of mounting | Switching output | Electrical connection | Cable length [m] | Part no. | Type | | |
| N/O | | | | | | | | |
|  | Inserted in the slot from above, flush with cylinder profile | NAMUR | Cable, 2-core | 5 | 579071 | SDBT-MS-20NL-ZN-E-5-LE-EX6 | | |
| | | | | 10 | 579072 | SDBT-MS-20NL-ZN-E-10-LE-EX6 | | |
| Ordering data – Safety clip for ATEX zone | | | | | | | | |
| | Description | For size | Part no. | Type | | | | |
|  | <ul style="list-style-type: none"> Protects "equipment that is not intrinsically safe" against simple disconnection, here the plug of the proximity switch SMT and connecting cable NEBA ATEX category: gas: II 3G / dust: II 3D | Plug M8x1 | 548067 | NEAU-M8-GD | | | | |
| Connecting cables NEBA, straight, M8 connection | | | | | | | | |
| | Electrical connection 1, connection technology | Electrical connection 2, connection technology | Electrical connection 2, number of pins/cores | Cable length | Part no. | Type | | |
|  | M8x1 A-coded to EN 61076-2-104 | Open end | 3 | 2.5 m | ★ 8078223 | NEBA-M8G3-U-2.5-N-LE3 | | |
| | | | | 5 m | ★ 8078224 | NEBA-M8G3-U-5-N-LE3 | | |
| Connecting cables NEBA, straight, M12 connection | | | | | | | | |
| | Electrical connection 1, connection technology | Electrical connection 2, connection technology | Electrical connection 2, number of pins/cores | Cable length | Part no. | Type | | |
|  | M12x1, A-coded to EN 61076-2-101 | Open end | 3 | 2.5 m | ★ 8078236 | NEBA-M12G5-U-2.5-N-LE3 | | |
| | | | | 5 m | ★ 8078237 | NEBA-M12G5-U-5-N-LE3 | | |

Accessories

| Connecting cables NEBA, angled, M8 connection | | | | | | |
|--|--|--|---|--------------|-----------|-----------------------|
| | Electrical connection 1, connection technology | Electrical connection 2, connection technology | Electrical connection 2, number of pins/cores | Cable length | Part no. | Type |
|  | M8x1 A-coded to EN 61076-2-104 | Open end | 3 | 2.5 m | ★ 8078230 | NEBA-M8W3-U-2.5-N-LE3 |
| | | | | 5 m | ★ 8078231 | NEBA-M8W3-U-5-N-LE3 |

| Connecting cables NEBA, angled, M12 connection | | | | | | |
|--|--|--|---|--------------|----------|------------------------|
| | Electrical connection 1, connection technology | Electrical connection 2, connection technology | Electrical connection 2, number of pins/cores | Cable length | Part no. | Type |
|  | M12x1, A-coded to EN 61076-2-101 | Open end | 3 | 2.5 m | 8078245 | NEBA-M12W5-U-2.5-N-LE3 |
| | | | | 5 m | 8078246 | NEBA-M12W5-U-5-N-LE3 |