

Condensate drain, automatic WA

FESTO



Characteristics

At a glance

For fitting on service unit components and compressed air networks/systems. Condensed water in the compressed air that accumulates as condensate must be drained from time to time, otherwise it will be carried along and can cause faults in the downstream elements. The devices shown automatically drain the condensate as necessary.

They contain a float which opens a poppet valve when a certain condensate level is reached. The condensate is then drained.

If a manual override is installed, the condensate can also be drained manually.

- Automatic emptying after the max. fill level has been reached
- Automatic emptying after the operating pressure $p < 0.5$ bar is switched off
- Manual actuation during operation is possible

Note: For the automatic condensate drain WA-2 to close, it requires a flow rate of 125 l/min, which occurs at approx. 1.5 bar.

Type code

001	Series
WA	Condensate drain

002	Valve function
1	2/2-way valve, closed, monostable
2	2/2-way valve, open, monostable

003	Generation
	First generation
B	Second generation

Datasheet

General technical data

Condensate drain connection	G1/4	PK-4
Pneumatic connection	M9	
Design	External, mechanical, fully automatic	
Measured variable	Level	
Type of mounting	In-line installation	
Mounting position	Vertical +/-10°	Vertical +/-5°
Valve function	2/2-way, closed, monostable	2/2 open, single solenoid
Manual override	Non-detenting	

Operating and environmental conditions

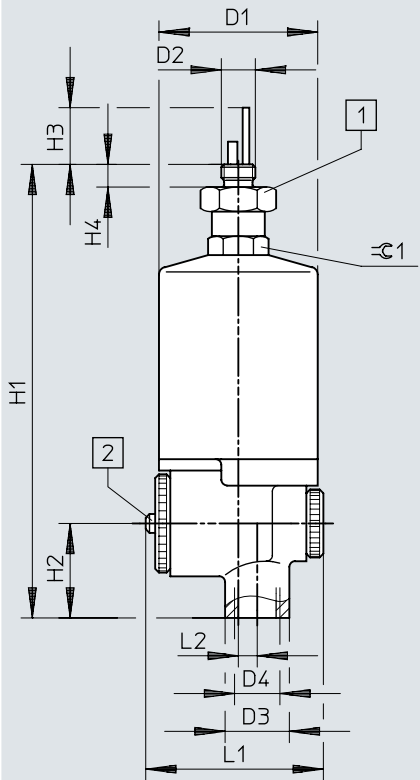
Condensate drain connection	G1/4	PK-4
Operating pressure	4 ... 16 bar	1.5 ... 14 bar
Operating medium	Water	
Ambient temperature	0 ... 60°C	0 ... 50°C
Media temperature	0 ... 60°C	0 ... 50°C
Storage temperature	-20 ... 60°C	

Materials

Condensate drain connection	G1/4	PK-4
Material housing	Brass, PA	Wrought aluminium alloy
LABS (PWIS) conformity	VDMA24364-B2-L	VDMA24364 zone III

Dimensions

Dimensions – WA-1-B Download CAD data www.festo.com



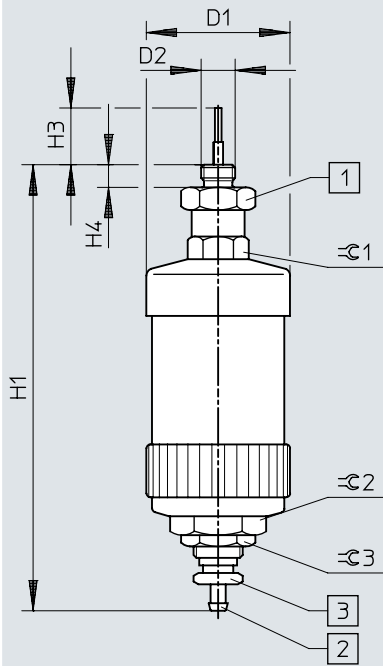
- [1] Adapter SW17
- [2] Manual override

	D1 ∅	D2	D3 ∅	D4	H1	H2	H3	H4	L1	L2	⌀1
WA-1-B	42	M9	17	H1/4	~119	25	23	6	~46	5	5

Dimensions

Dimensions – WA-2


Download CAD data www.festo.com




- [1] Adapter SW17
- [2] Barbed connector for plastic tubing PCN-4
- [3] Manual override

	D1	D2	H1	H3	H4	⌀1	⌀2	⌀3
WA-2	38 ∅	M9	~117	23	6	17	22	17

Ordering data

Ordering data – WA-1-B						
	Pneumatic connection	Condensate drain connection	Material housing	Product weight	Part no.	Type
	M9	G1/4	Brass, PA	210 g	158497	WA-1-B

Ordering data – WA-2						
	Pneumatic connection	Condensate drain connection	Material housing	Product weight	Part no.	Type
	M9	PK-4	Wrought aluminium alloy	92 g	152810	WA-2