



## Characteristics

### At a glance

Powerful:

- Flow rate 600 ... 3800 l/min

Flexible:

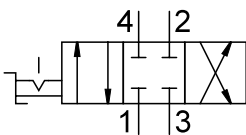
- 4/3-way valve; mid-position closed, mid-position exhausted
- Connection 1/8 NPT, 1/4 NPT, 1/2 NPT
- 3/3-way valve; the hand lever valves VHER can be used as a 3/3-way valve by closing port 2

Practical:

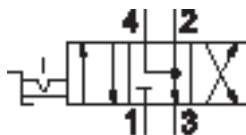
- These valves can be used to stop single-acting cylinders (3/3-way valve) or double-acting cylinders within the stroke range.
- With the mid-position closed, the piston of the drive moves until the forces are in equilibrium.
- In the mid-position exhausting, the piston can be moved manually, only the frictional forces have to be overcome.

### Valve function

[B43C] 4/3-way valve, detenting, mid-position closed



[B43E] 4/3-way valve, detenting, mid-position exhausted



### Product segmentation



Festo Core Range

Solves the majority of your automation tasks

With the Festo Core Range, we have selected the most important products and functions from our broad product catalogue, and added the quickest delivery. The Core Range offers you the best value with the expected high Festo quality.

- Quickest delivery, worldwide – wherever, whenever
- Expected high Festo quality
- Easy and fast to select

## Type code

001	Series
VHER	Hand lever valve with detent
002	Product version
	Standard
003	Actuation type
H	Hand lever, top
004	Valve function
B43C	4/3-way valve, detenting, mid-position closed
B43E	4/3-way valve, detenting, mid-position exhausted

005	Flow direction
	Standard
006	Connection direction
	Front and rear
B	Underneath
007	Pneumatic connection
N18	1/8 NPT
N14	1/4 NPT
N12	1/2 NPT

## Datasheet

## General technical data

Valve function	4/3 exhausted		4/3 closed					
Standard nominal flow rate (standardised to DIN 1343)	3,200 l/min	3,800 l/min	600 l/min	800 l/min	1,150 l/min	1,500 l/min	3,200 l/min	3,800 l/min
Design	Rotary gate valve							
Sealing principle	Hard							
Type of mounting	Front panel mounting, With through-hole, Either:							
Type of piloting	Direct							
Type of actuation	Manual							
Actuator lock	-							
Switching position indicator	With accessories							
Mounting position	-							
Flow direction	Non-reversible							
Overlap	yes							
Exhaust-air function	With flow control option							
Nominal size	12 mm		6 mm		8 mm		12 mm	
Pneumatic connection, port 1	NPT1/2-14		NPT1/8-27		NPT1/4-18		NPT1/2-14	
Pneumatic connection, port 2	NPT1/2-14		NPT1/8-27		NPT1/4-18		NPT1/2-14	
Pneumatic connection, port 3	NPT1/2-14		NPT1/8-27		NPT1/4-18		NPT1/2-14	
Pneumatic connection, port 4	NPT1/2-14		NPT1/8-27		NPT1/4-18		NPT1/2-14	
Actuating torque	5 Nm		0.9 Nm		2 Nm		5 Nm	

## Operating and environmental conditions

Operating medium	Compressed air to ISO 8573-1:2010 [7:4:4]
Note on operating and pilot medium	Lubricated operation possible (in which case lubricated operation will always be required)
Operating pressure	0 ... 10 bar
Ambient temperature	-20 ... 80°C
Media temperature	-20 ... 80°C
Corrosion resistance class CRC <sup>1)</sup>	2 - Moderate corrosion stress

1) More information [www.festo.com/x/topic/crc](http://www.festo.com/x/topic/crc)

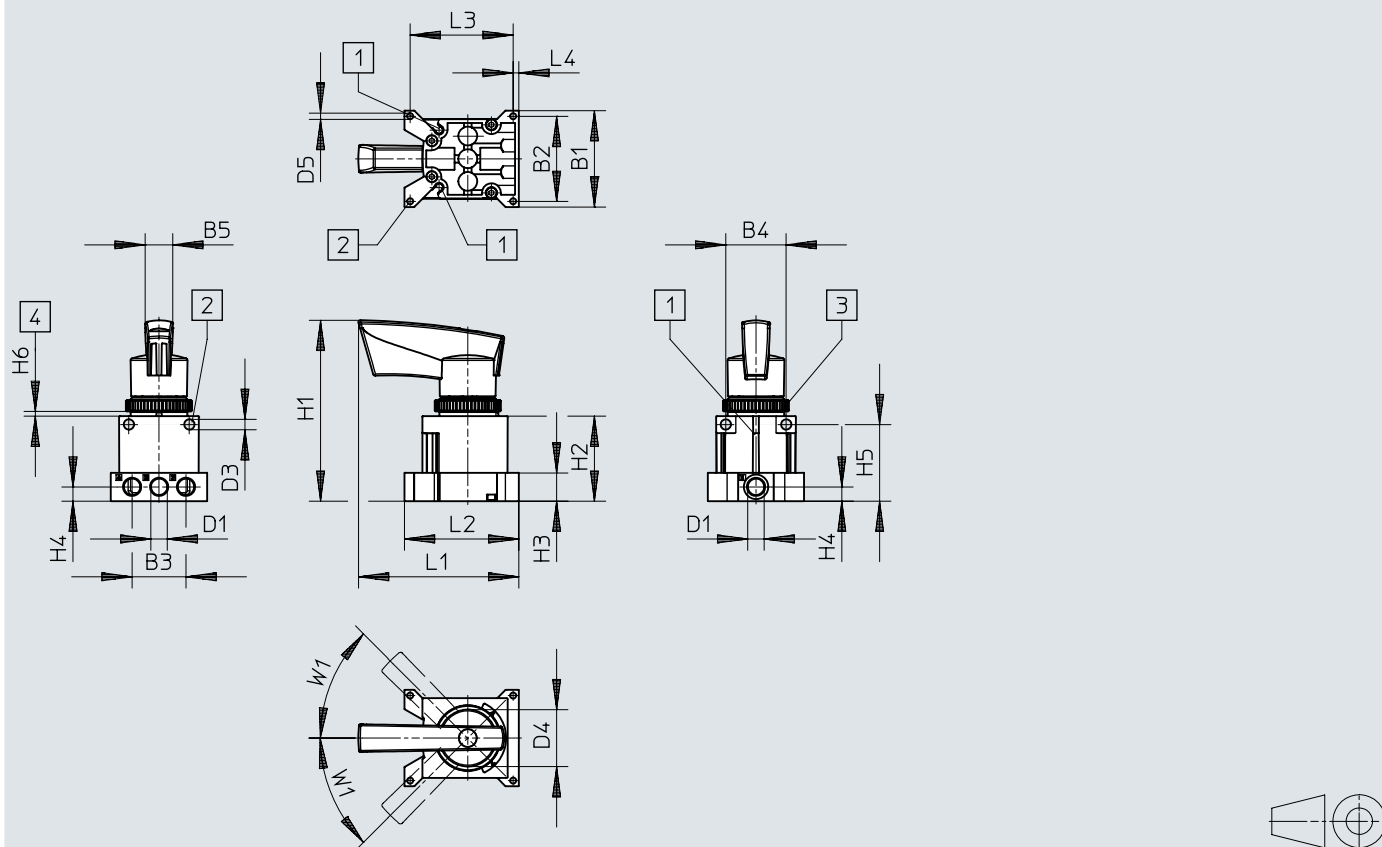
## Materials

Material housing	Die-cast aluminium
Material lever	Die-cast aluminium
Material seals	NBR
Note on materials	RoHS-compliant

## Dimensions

Dimensions – Pneumatic connection 1/8 NPT, at the side

Download CAD data [www.festo.com](http://www.festo.com)



- [1] Slot for proximity switch SM...-10...
- [2] Mounting hole
- [3] Knurled nut M30
- [4] Control panel/panel

	B1	B2	B3	B4	B5	D1	D3 ∅	D4 ∅	D5 ∅
VHER-H-B43...-N18	51	45	28,5	32	14,6	1/8 NPT	5,5	30,2	3,3

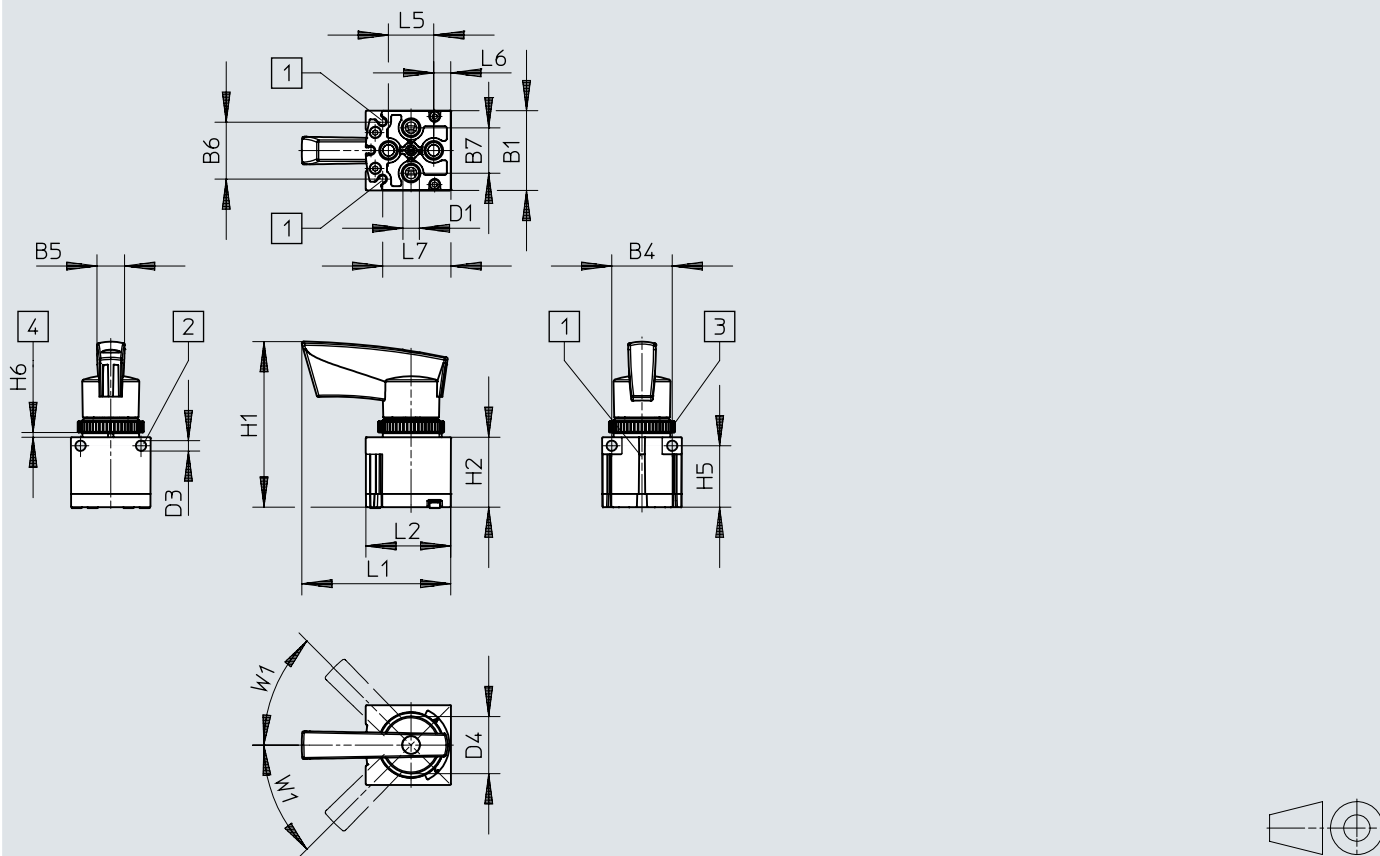
  

	H1	H2	H3	H4	H5	H6		L1	L2	L3	L4	W1
						min.	max.					
VHER-H-B43...-N18	95,6	45	15	7,5	40,5	2	4	84,9	60,5	54,5	3	45°

## Dimensions

Dimensions – Pneumatic connection 1/8 NPT, underneath

Download CAD data [www.festo.com](http://www.festo.com)



- [1] Slot for proximity switch SM...-10...
- [2] Mounting hole
- [3] Knurled nut M30
- [4] Control panel/panel

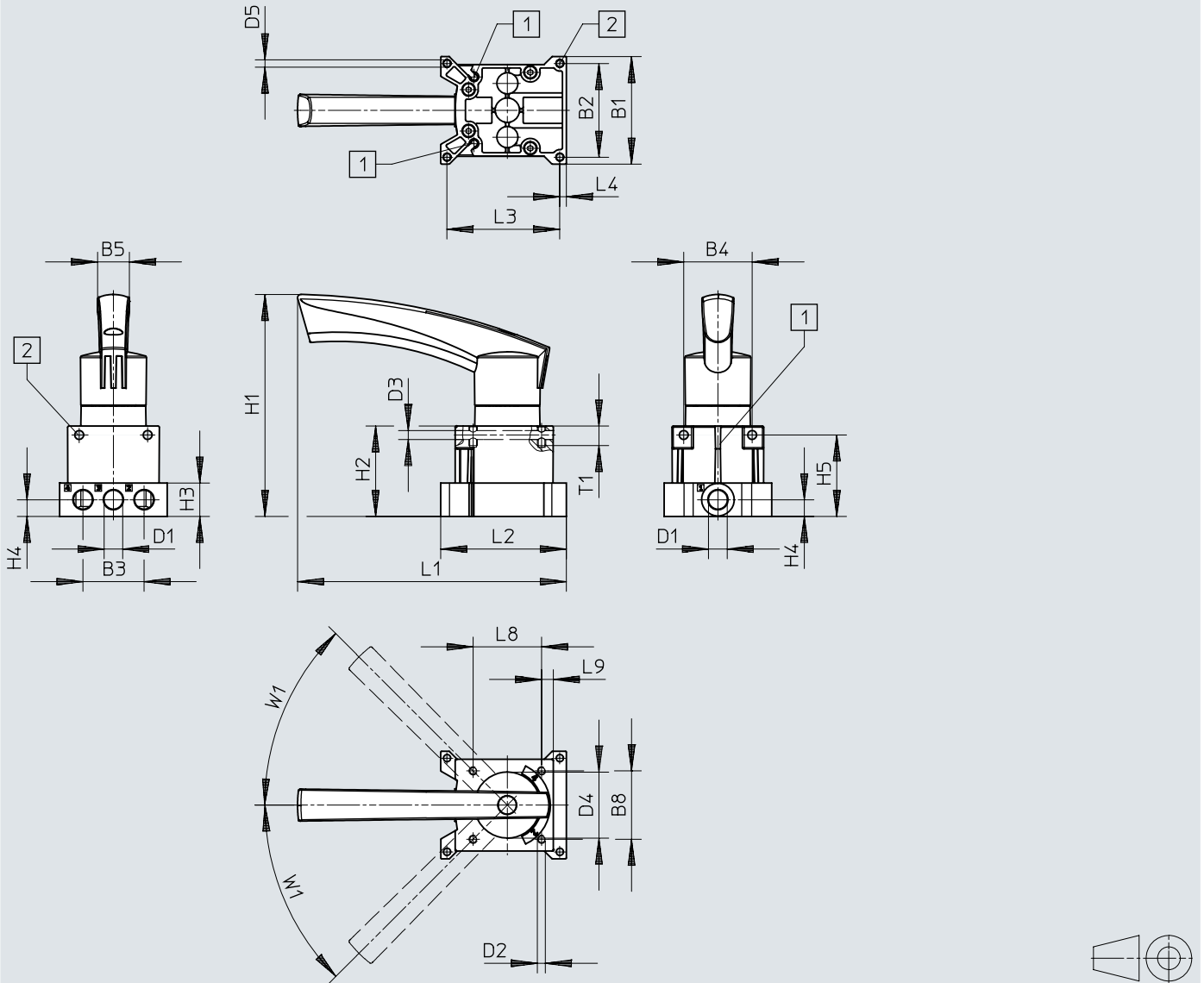
	B1	B4	B5	B6	B7	D1	D3 ∅	D4 ∅
VHER-H-B43...-B-N18	42,2	32	14,6	30,4	24	1/8 NPT	5,5	30,2

	H1	H2	H5	H6		L1	L2	L5	L6	L7	W1
				min.	max.						
VHER-H-B43...-B-N18	87,6	37	32,5	2	4	78,6	44,9	24	9	36,2	45°

Dimensions

Dimensions – Pneumatic connection 1/4 NPT, at the side

Download CAD data [www.festo.com](http://www.festo.com)



- [1] Slot for proximity switch SM...-10...
- [2] Mounting hole

	B1	B2	B3	B4	B5	B8	D1	D2	D3 ∅	D4 ∅	D5 ∅
VHER-H-B43...-N14	66	57,5	37,5	42	19,5	42	1/4 NPT	M5	5,5	40,5	4,5

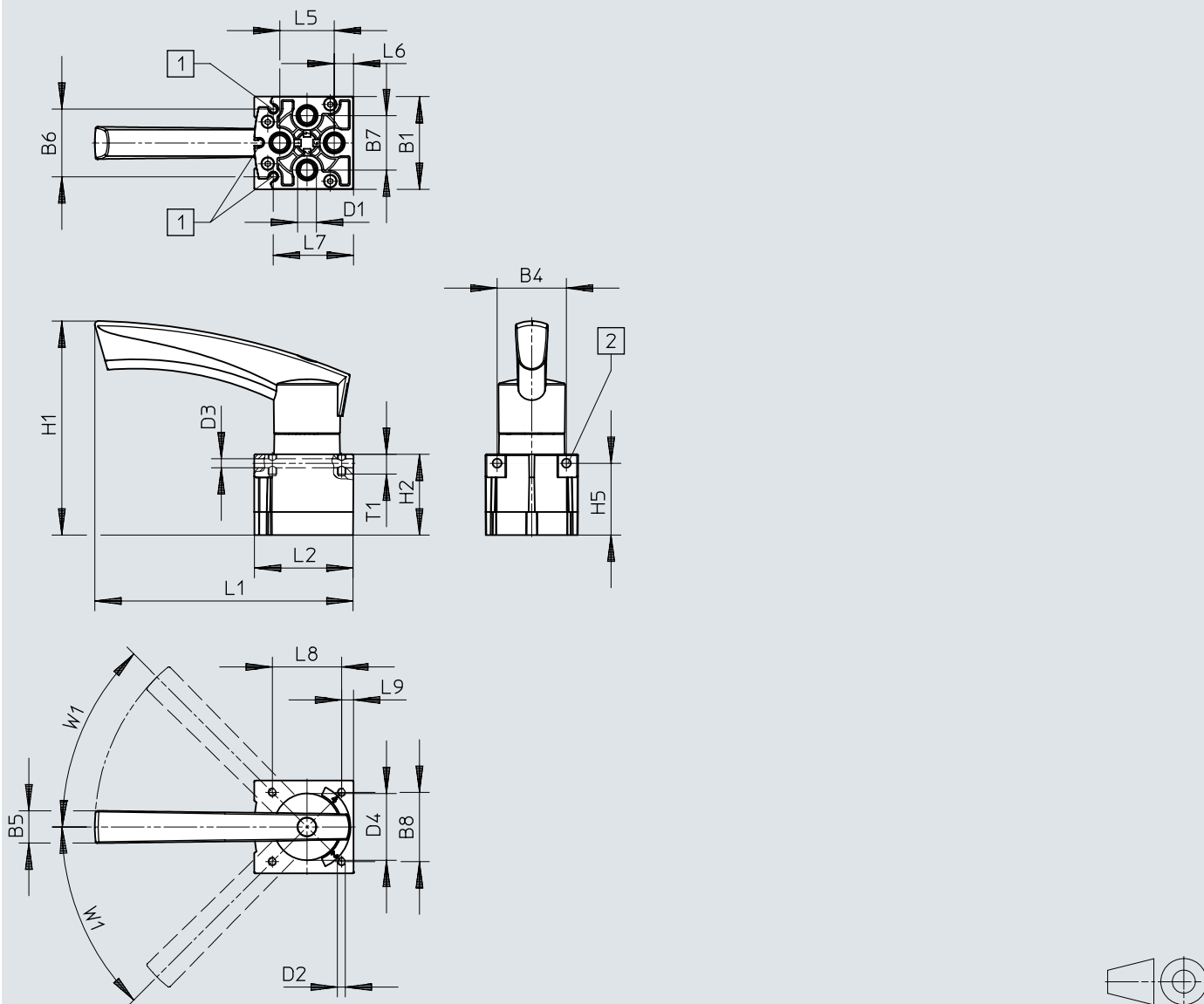
  

	H1	H2	H3	H4	H5	L1	L2	L3	L4	L8	L9	T1	W1
VHER-H-B43...-N14	136,3	55,5	20,5	10,3	50	164,8	77	69,2	4	42	7,2	12	45°

## Dimensions

Dimensions – Pneumatic connection 1/4 NPT, underneath

Download CAD data [www.festo.com](http://www.festo.com)



[1] Slot for proximity switch SM...-10...

[2] Mounting hole

	B1	B4	B5	B6	B7	B8	D1	D2	D3 ∅	D4 ∅
VHER-H-B43...-B-N14	56,3	42	19,5	40,4	33	42	1/4 NPT	M5	5,5	40,5

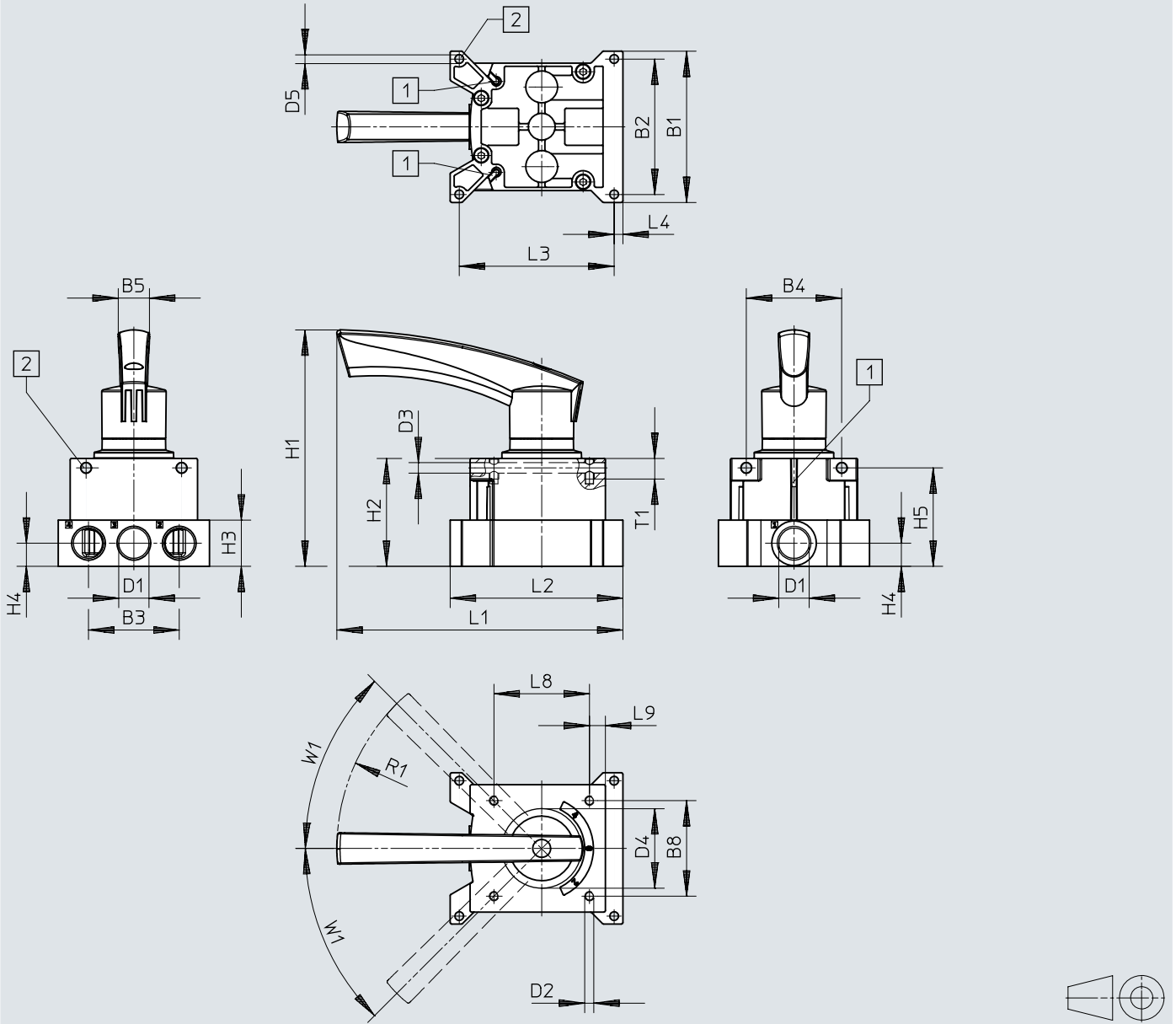
	H1	H2	H5	L1	L2	L5	L6	L7	L8	T1	W1
VHER-H-B43...-B-N14	129,8	49	43,5	156,6	59,8	33	11	48,2	42	12	45°



## Dimensions

Dimensions – Pneumatic connection 1/2 NPT, at the side

Download CAD data [www.festo.com](http://www.festo.com)



[1] Slot for proximity switch SM...-10...

[2] Mounting hole

	B1	B2	B3	B4	B5	B8	D1	D2	D3	D4	D5
VHER-H-B43-...-N12	95	85	57	60	19,5	60	1/2 NPT	M5	6,6	51	5,5

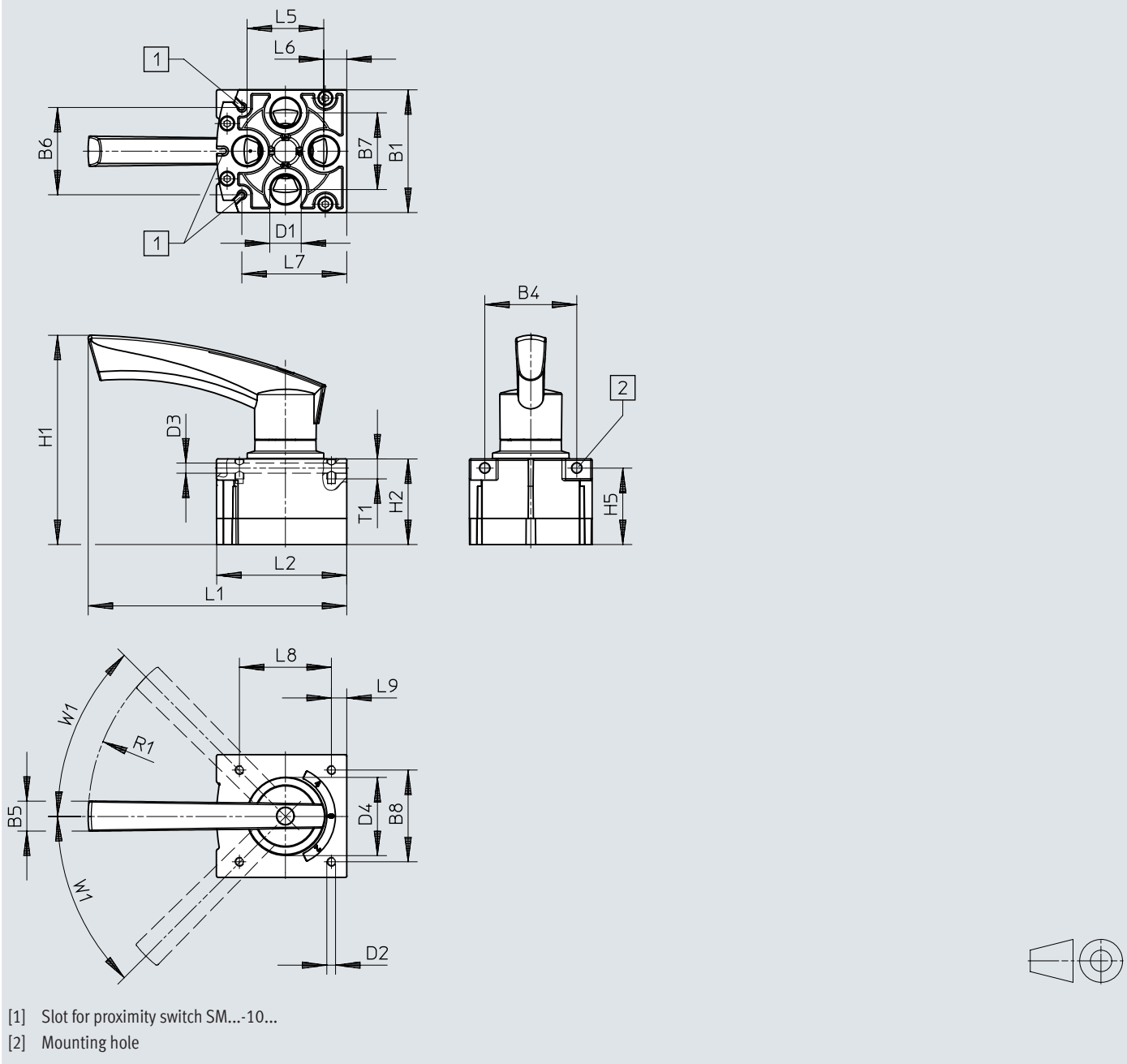
  

	H1	H2	H3	H4	H5	L1	L2	L3	L4	L8	L9	R1	T1	W1
VHER-H-B43-...-N12	149	68	29	14,5	61,8	180	108,8	97,3	5,5	60	10	128	13	45°

## Dimensions

Dimensions – Pneumatic connection 1/2 NPT, underneath

Download CAD data [www.festo.com](http://www.festo.com)



	B1	B4	B5	B6	B7	B8	D1	D2	D3 ∅	D4 ∅
VHER-H-B43-...-B-N12	80	60	19,5	56,9	50	60	1/2 NPT	M5	6,6	51

	H1	H2	H5	L1	L2	L5	L6	L7	L8	L9	R1	T1	W1
VHER-H-B43-...-B-N12	136,5	55,8	49,8	168,8	84,8	50	15	68,5	60	10	128	13	45°

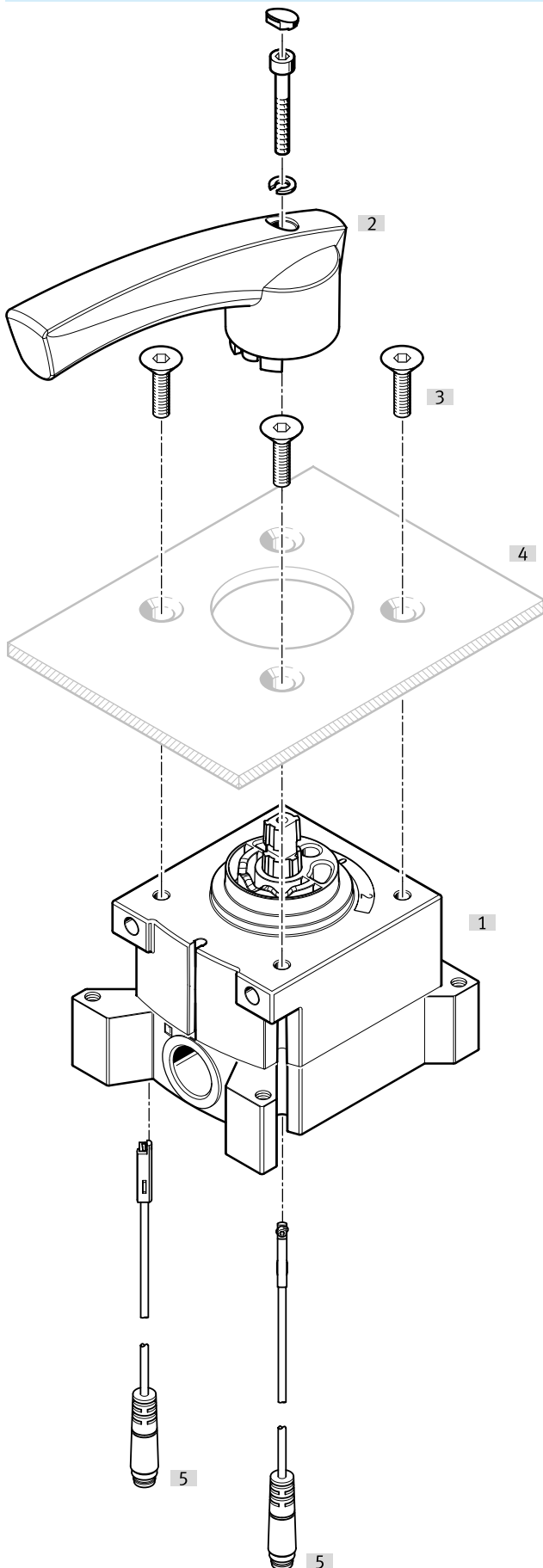
## Ordering data

Mid-position closed					
	Construction width	Product weight	Pneumatic connection, port 1	Part no.	Type
	42 mm	220 g	NPT1/8-27	3488213	VHER-H-B43C-B-N18
	51 mm	260 g		NPT1/4-18	3488212
	56 mm	510 g	NPT1/2-14		3520389
	66 mm	560 g		NPT1/2-14	3520365
	80 mm	860 g	NPT1/2-14		3192086
	95 mm	1,010 g		NPT1/2-14	3192085

Mid-position exhausted					
	Construction width	Product weight	Pneumatic connection, port 1	Part no.	Type
	80 mm	860 g	NPT1/2-14	3192088	VHER-H-B43E-B-N12
	95 mm	1,010 g		NPT1/2-14	3192087

## Peripherals

### Peripherals overview Panel mounting, lever left

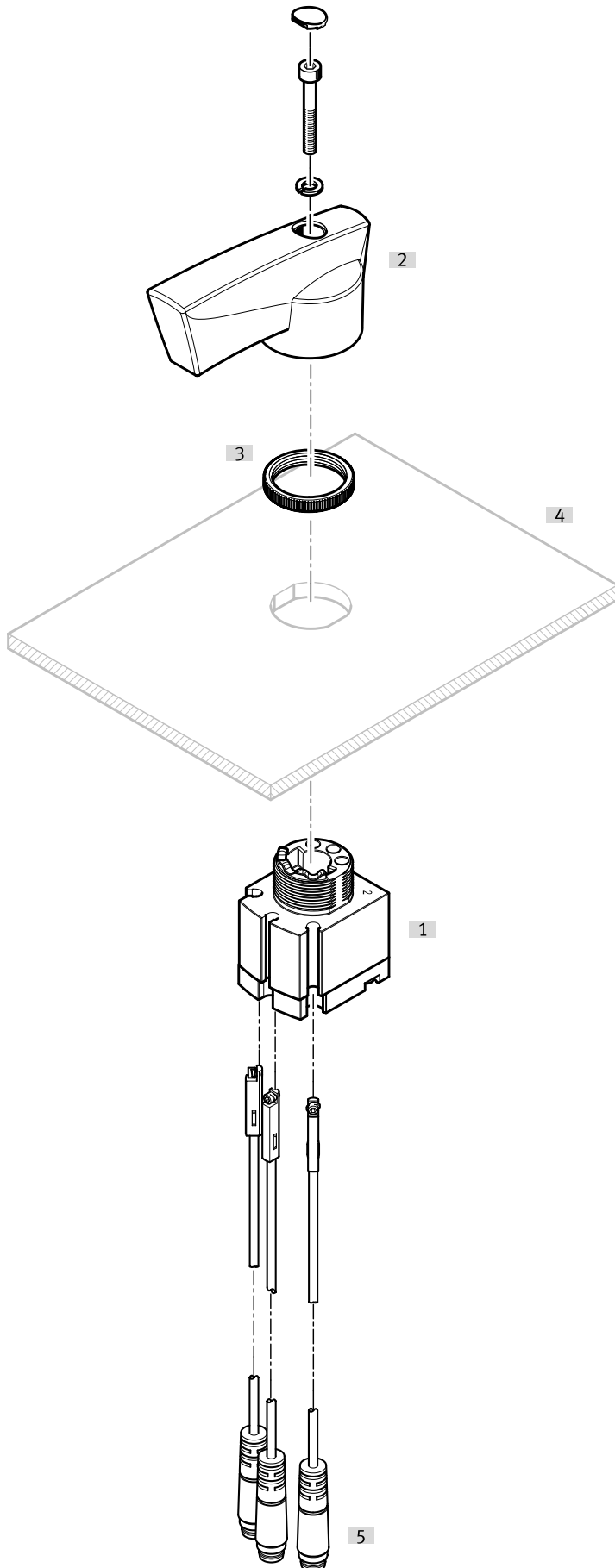


## Peripherals

Accessories		→ Link
Type/order code	Description	
[1] Hand lever valve VHER	Connection size M5, G1/8, G1/4, G1/2 (pneumatic connections at the side)	<a href="#">vher</a>
[2] Operating lever	Large, metal	<a href="#">-</a>
[3] Retaining screws	- For design reasons, not every hand lever valve VHER can be screwed to a control panel on the lever side using retaining screws. - Not included in the scope of delivery	<a href="#">-</a>
[4] Control panel	Not included in the scope of delivery	<a href="#">-</a>
[5] Proximity switch SME-10-KL	Not included in the scope of delivery (electrical connection, outlet on long side)	<a href="#">21</a>
[5] Proximity switch SME-10-SL	Not included in the scope of delivery (electrical connection, outlet on long side)	<a href="#">21</a>

## Peripherals

### Peripherals overview Panel mounting, lever right

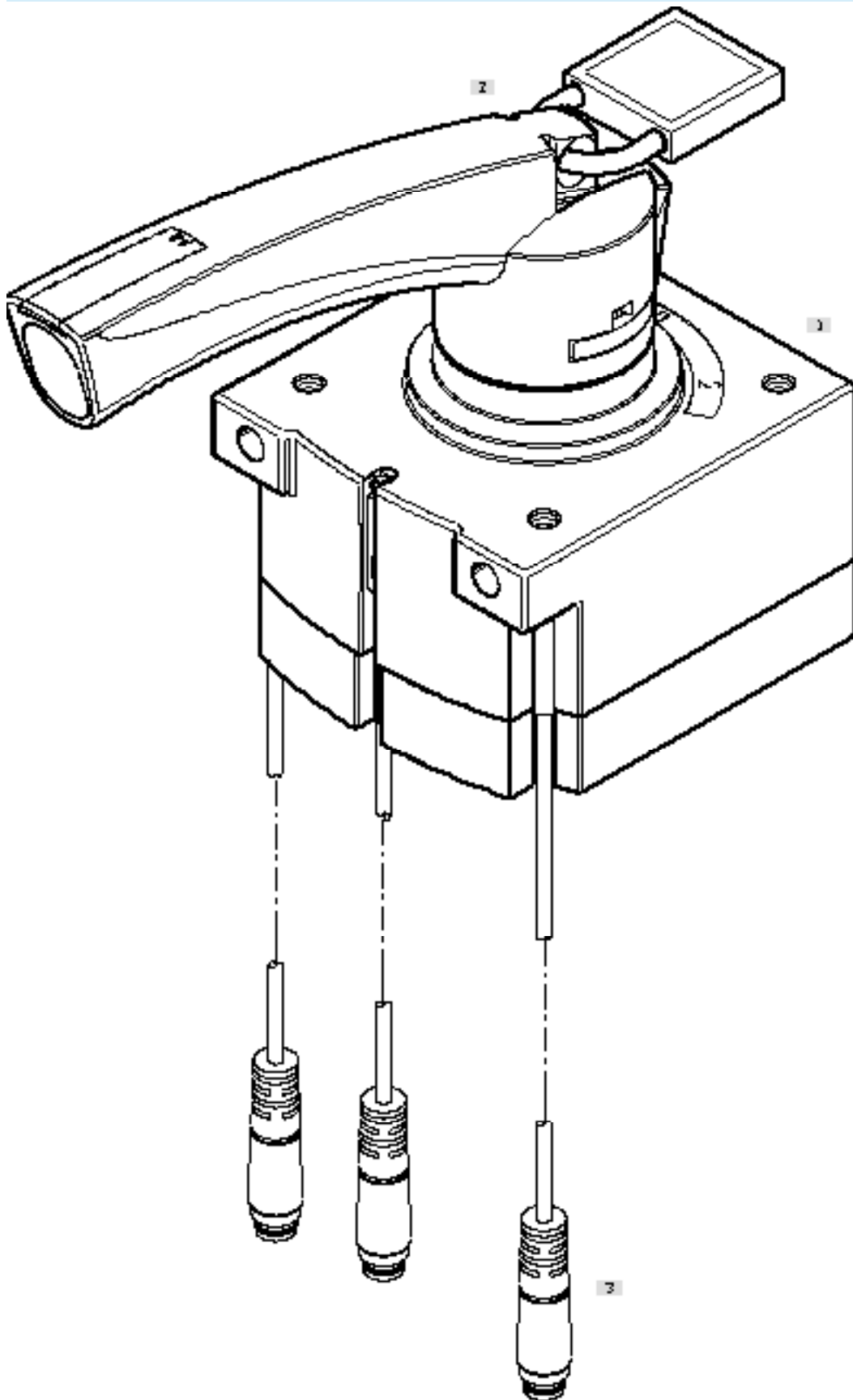


## Peripherals

Accessories		→ Link
Type/order code	Description	
[1] Hand lever valve VHER	Connection size M5, G1/8, G1/4, G1/2 (pneumatic connections underneath)	<a href="#">vher</a>
[2] Operating lever	Large, metal	<a href="#">-</a>
[3] Knurled nut	Panel mounting	<a href="#">-</a>
[4] Control panel	Not included in the scope of delivery	<a href="#">-</a>
[5] Proximity switch SME-10-KL	Not included in the scope of delivery (electrical connection, outlet on long side)	<a href="#">21</a>
[5] Proximity switch SME-10-SL	Not included in the scope of delivery (electrical connection, outlet on long side)	<a href="#">21</a>

## Peripherals

Peripherals overview Mounted valves with accessories on the left



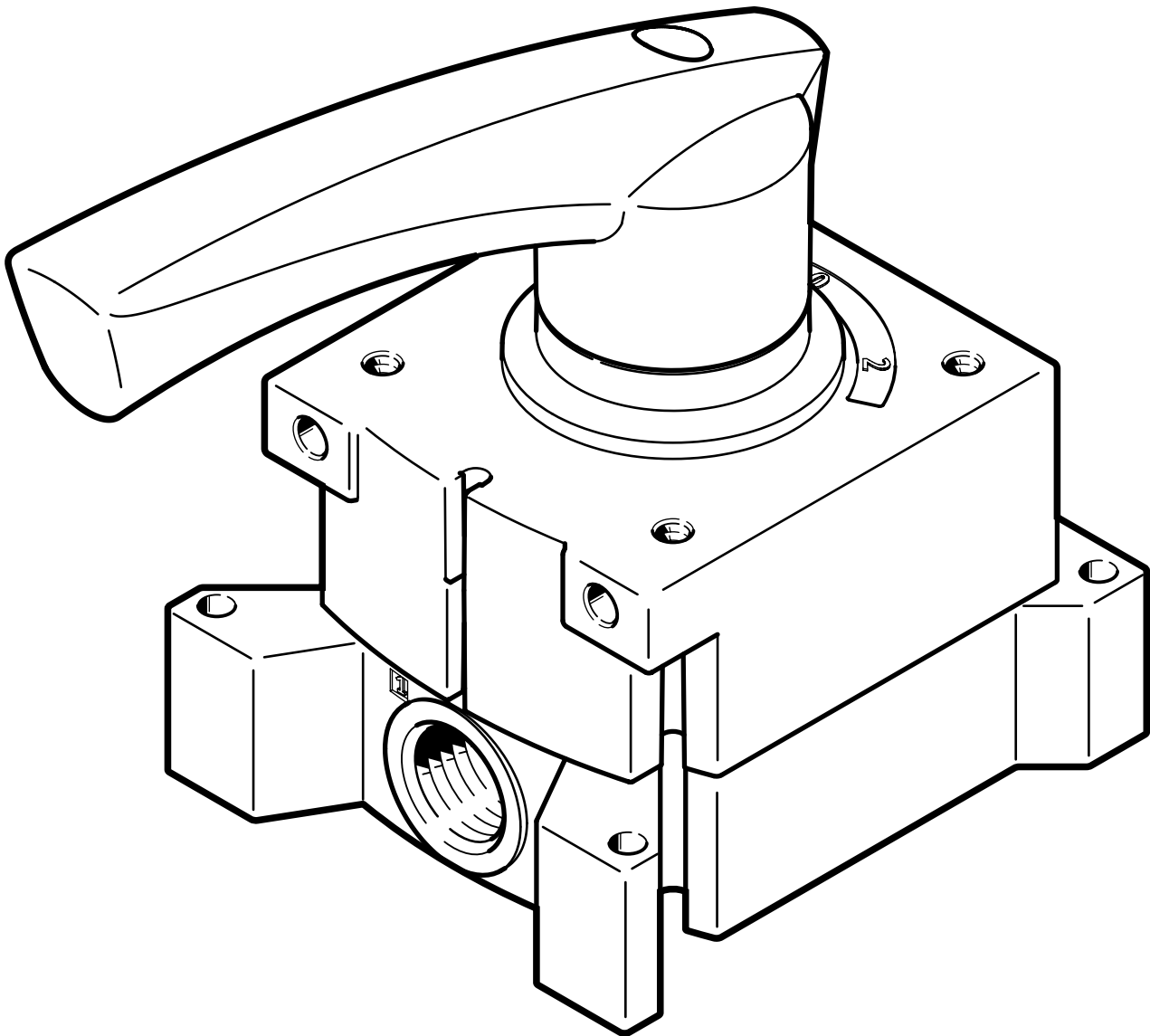


## Peripherals

Accessories		→ Link
Type/order code	Description	
[1] Hand lever valve VHER-P-H...	- Connection size M5, G1/8, G1/4, G1/2 with polymer lever, large pneumatic connections underneath) - For design reasons, not every hand lever valve VHER can be screwed to a control panel on the lever side using retaining screws.	<a href="#">vher</a>
[2] Lock	Not included in the scope of delivery	<a href="#">-</a>
[3] Proximity switch SME-10-KL	Not included in the scope of delivery (electrical connection, outlet on long side)	<a href="#">21</a>
[3] Proximity switch SME-10-SL	Not included in the scope of delivery (electrical connection, outlet on long side)	<a href="#">21</a>


## Peripherals


Peripherals overview Mounted valves with accessories on the right

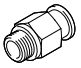


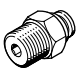
Accessories		→ Link
Type/order code	Description	
[1] Hand lever valve VHER-H...	- Connection size M5, G1/8, G1/4, G1/2 with metal lever, large (pneumatic connections at the side) - For design reasons, not every hand lever valve VHER can be screwed to a control panel on the lever side using retaining screws.	<a href="#">vher</a>

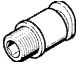
## Accessories


Push-in fittings, 1/8 NPT, pneumatic connection underneath, external hex (short version)					
	Pneumatic connection, port 1	Pneumatic connection, port 2	Packaging unit [units]	Part no.	Type
	Male thread 1/8 NPT	For tubing outside diameter of 5/32"	10	572305	QBM-1/8-5/32-U
		For tubing O.D. 1/8"		533270	QBM-1/8-1/8-U

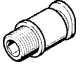
Push-in fittings, 1/8 NPT, pneumatic connection underneath, external hex				
	Pneumatic connection, port 1	Pneumatic connection, port 2	Part no.	Type
	Male thread 1/8 NPT	For tubing outside diameter of 5/32"	533271	QB-1/8-5/32-U

Push-in fittings, 1/4 NPT, pneumatic connection underneath, external hex				
	Pneumatic connection, port 1	Pneumatic connection, port 2	Part no.	Type
	Male thread 1/4 NPT	For tubing outside diameter of 5/32"	567772	QB-1/4-5/32-U
		For tubing outside diameter of 3/16"	533275	QB-1/4-3/16-U
		For tubing outside diameter of 1/4"	★ 533276	QB-1/4-1/4-U
		For tubing outside diameter of 5/16"	★ 533277	QB-1/4-5/16-U


Push-in fittings, 1/2 NPT, pneumatic connection underneath, external hex				
	Pneumatic connection, port 1	Pneumatic connection, port 2	Part no.	Type
	Male thread 1/2 NPT	For tubing outside diameter of 3/8"	★ 533283	QB-1/2-3/8-U
		For tubing outside diameter of 1/2"	★ 533284	QB-1/2-1/2-U

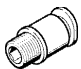
Push-in fittings, 1/8 NPT, pneumatic connection underneath, internal hex					
	Pneumatic connection, port 1	Pneumatic connection, port 2	Packaging unit [units]	Part no.	Type
	Male thread 1/8 NPT	For tubing outside diameter of 5/32"	10	572317	QB-1/8-5/32-I-U
		For tubing outside diameter of 3/16"		572315	QB-1/8-3/16-I-U
		For tubing outside diameter of 1/4"		★ 572318	QB-1/8-1/4-I-U
		For tubing outside diameter of 5/16"		572319	QB-1/8-5/16-I-U


Push-in fittings, 1/4 NPT, pneumatic connection underneath, internal hex (short version)					
	Pneumatic connection, port 1	Pneumatic connection, port 2	Packaging unit [units]	Part no.	Type
	Male thread 1/4 NPT	For tubing O.D. 1/8"	10	572306	QBM-1/4-1/8-U


Push-in fittings, 1/4 NPT, pneumatic connection underneath, internal hex					
	Pneumatic connection, port 1	Pneumatic connection, port 2	Packaging unit [units]	Part no.	Type
	Male thread 1/4 NPT	For tubing outside diameter of 1/4"	10	★ 572320	QB-1/4-1/4-I-U
		For tubing outside diameter of 5/16"		572321	QB-1/4-5/16-I-U
		For tubing outside diameter of 3/8"		572322	QB-1/4-3/8-I-U


## Accessories

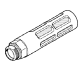
Push-in fittings, 1/2 NPT, pneumatic connection underneath, internal hex					
	Pneumatic connection, port 2	Packaging unit [units]	Part no.	Type	
	For tubing outside diameter of 1/2"	10	572326	QB-1/2-1/2-I-U	


Push-in fittings, 1/8 NPT, pneumatic connection at the side, internal hex					
	Pneumatic connection, port 1	Pneumatic connection, port 2	Packaging unit [units]	Part no.	Type
	Male thread 1/8 NPT	For tubing outside diameter of 5/32"	10	572317	QB-1/8-5/32-I-U
		For tubing outside diameter of 1/4"		★ 572318	QB-1/8-1/4-I-U

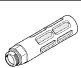
Push-in fittings, 1/4 NPT, pneumatic connection at the side, internal hex					
	Pneumatic connection, port 1	Pneumatic connection, port 2	Packaging unit [units]	Part no.	Type
	Male thread 1/4 NPT	For tubing outside diameter of 1/4"	10	★ 572320	QB-1/4-1/4-I-U
		For tubing outside diameter of 5/16"		572321	QB-1/4-5/16-I-U
		For tubing outside diameter of 3/8"		572322	QB-1/4-3/8-I-U

Push-in fittings, 1/2 NPT, pneumatic connection at the side, internal hex					
	Pneumatic connection, port 2	Packaging unit [units]	Part no.	Type	
	For tubing outside diameter of 1/2"	10	572326	QB-1/2-1/2-I-U	


Silencer, 1/8 NPT and 1/4 NPT, pneumatic connection underneath					
	Pneumatic connection	Material screwed plug	Material shock absorber insert	Part no.	Type
	1/8 NPT	Aluminium	PE	12638	U-1/8-B-NPT
	1/4 NPT			12639	U-1/4-B-NPT


Silencer, 1/2 NPT, pneumatic connection underneath						
	Pneumatic connection	Material screwed plug	Material shock absorber insert	Material housing	Part no.	Type
	1/2 NPT	Aluminium	PE	Aluminium	12741	U-1/2-B-NPT

Silencer, 1/8 NPT and 1/4 NPT, pneumatic connection at the side					
	Pneumatic connection	Material screwed plug	Material shock absorber insert	Part no.	Type
	1/8 NPT	Aluminium	PE	12638	U-1/8-B-NPT
	1/4 NPT			12639	U-1/4-B-NPT

Silencer, 1/2 NPT, pneumatic connection at the side					
	Pneumatic connection	Material screwed plug	Material shock absorber insert	Part no.	Type
	1/2 NPT	Aluminium	PE	12741	U-1/2-B-NPT

## Accessories

Proximity switch, outlet orientation longitudinal connection			
	Cable length	Part no.	Type
	0.3 m	173212	SME-10-SL-LED-24
	2.5 m	173210	SME-10-KL-LED-24

Blanking plug with sealing ring, internal hex				
	Pneumatic connection, port 1	Packaging unit [units]	Part no.	Type
	NPT1/8-27	1	173985	B-1/8-NPT
	NPT1/4-18		174165	B-1/4-NPT
	NPT1/2-14		31785	B-1/2-NPT