

Data sheet

- Plug socket for multi-pin plug connection (for valve terminal MPA-S)
- Can be assembled with any cable length
- 25-pin
- Sub-D



General technical data		
Based on standard		DIN 41652
Electrical connection		Plugs/sockets
Product weight	[g]	71
Electrical connection 1		
Function		Field device side
Connection type		Socket
Cable outlet		Angled
Design		Rectangular
Connection technology		Sub-D
Number of pins/wires		25
Type of mounting		3x M3 screws
Contact durability		50
Electrical connection 2		
Function		Controller side
Connection technology		Crimp contacts
Cable diameter	[mm]	6 ... 12
Technical data – Electrics		
Nominal operating voltage	[V DC]	24
	[V AC]	3
Operating voltage range	[V DC]	0 ... 30
Surge resistance	[kV]	1
Materials		
Housing		PA
Housing colour		Grey
Union nut		PA
Seals		CR
Seals		NBR
Pin contacts		Gold-plated copper alloy
Note on materials		RoHS-compliant
Operating and environmental conditions		
Ambient temperature	[°C]	-25 ... +80
Pollution degree		3
Degree of protection		IP65
		To IEC 60529
Note on degree of protection		In assembled state

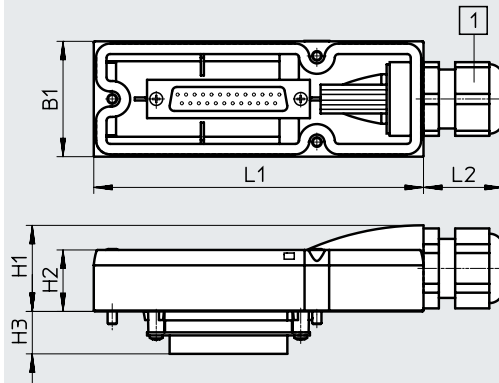
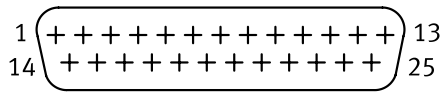
Data sheet

Dimensions

Download CAD data → www.festo.com

Pin allocation

VMPA-KMS-H



[1] Cable connector with clamping range 6 ... 12 mm

Type	B1	H1	H2	H3	L1	L2
VMPA-KMS-H	37.55	28	20	13.8	107.3	26

Ordering data

Electrical connection 1

Part No.

Type

Angled socket, Sub-D, 25-pin

533198

VMPA-KMS-H