

## Power supply socket NTSD

**FESTO**



## Datasheet

**General technical data – Socket M18x1**

Mounting position	optional
-------------------	----------

**Technical data – Electrical connection, socket M18x1**

Electrical connection	4-pin, Straight socket, Angled socket, Screw terminal
Type of mounting	Via union nut

**Technical data – Electrical components, socket M18x1**

Operational voltage range AC	≤250 V
Permissible current load	16 A

**Technical data – Cable, socket M18x1**

Cable fitting	Pg11	Pg13	Pg 9
Permissible cable diameter	5 ... 11 mm	10 ... 12 mm	6 ... 8 mm
Connection cross section	2.5 mm <sup>2</sup>		1.5 mm <sup>2</sup>

**Materials – Socket M18x1**

Material housing	PBT
Material electrical contact	Copper alloy; Brass
Note on materials	–
LABS (PWIS) conformity	VDMA24364-B2-L

**Environmental and operating conditions – Socket M18x1**

Ambient temperature	-5 ... 50°C
Storage temperature	-20 ... 70°C
Degree of protection	IP67

**Technical data – Electrical connection, plug M12x1**

Electrical connection	5-pin, Straight plug connector/screw terminal
-----------------------	-----------------------------------------------

**Technical data – Electrical components, plug M12x1**

Permissible current load	3 A
--------------------------	-----

**Technical data – Cable, plug M12x1**

Permissible cable diameter	6 ... 8 mm
Connection cross section	0.75 mm <sup>2</sup>

**Materials – plug M12x1**

Material housing	PA
Housing colour	Black
Note on materials	RoHS-compliant
LABS (PWIS) conformity	–

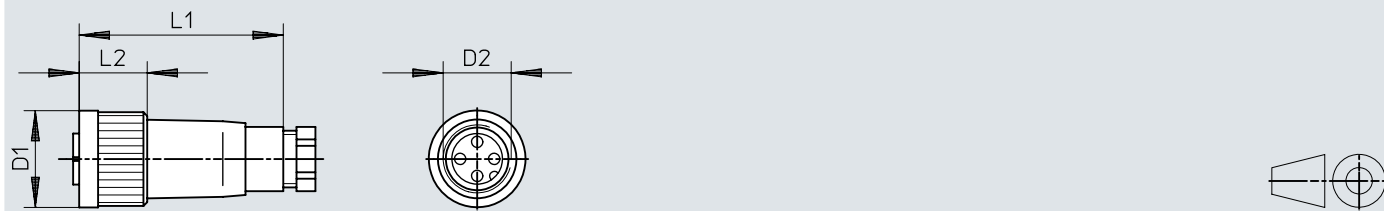
**Operating and environmental conditions – plug M12x1**

Ambient temperature	-40 ... 85°C
Degree of protection	IP67

## Dimensions

### Dimensions – NTSD-GD-9

Download CAD data [www.festo.com](http://www.festo.com)

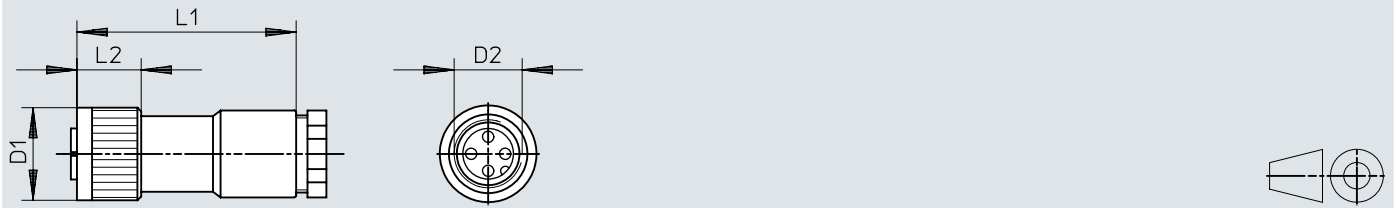


	D1 ∅	D2	L1	L2
NTSD-GD-9	24,5	M18x1	56	17

## Dimensions

### Dimensions – NTSD-GD-13.5

Download CAD data [www.festo.com](http://www.festo.com)



	D1 ∅	D2	L1	L2
NTSD-GD-13.5	24,5	M18x1	58	17

## Dimensions

### Dimensions – NTSD-WD-9

Download CAD data [www.festo.com](http://www.festo.com)

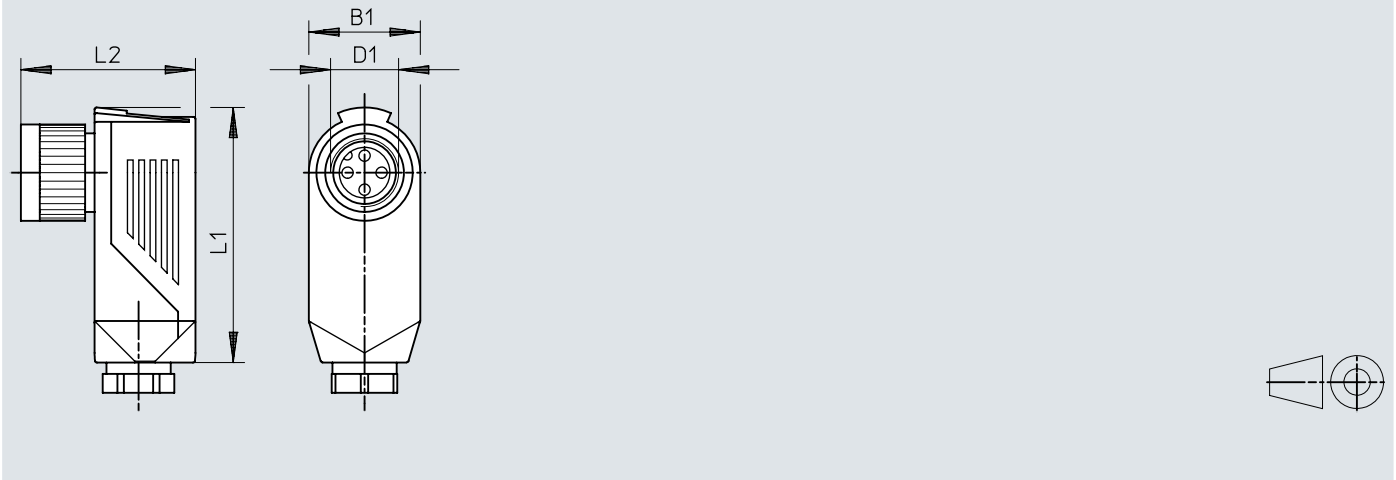


	D1	L1	L2	L3	L4
NTSD-WD-9	M18x1	43	31	23,5	17

## Dimensions

### Dimensions – NTSD-WD-11

Download CAD data [www.festo.com](http://www.festo.com)

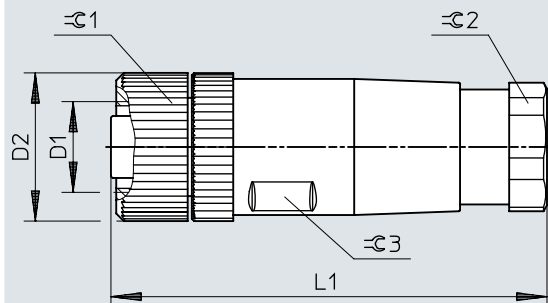


	B1	D1	L1	L2
NTSD-WD-11	29,5	M18x1	67,5	46,2

## Dimensions

Dimensions – NTSD-GD-9-M12-5POL-RK

Download CAD data [www.festo.com](http://www.festo.com)



	D1	D2	L1	$\varnothing 1$	$\varnothing 2$	$\varnothing 3$
NTSD-GD-9-M12-5POL-RK	M12x1	20	56	18	16	17

## Ordering data

**Ordering data – Socket M18x1**

Electrical connection	Cable fitting	Connection cross section	Permissible cable diameter	Product weight	Part no.	Type
4-pin, Straight socket, Screw terminal	Pg13	2.5 mm <sup>2</sup>	10 ... 12 mm	31 g	<b>18526</b>	<b>NTSD-GD-13,5</b>
	Pg 9	1.5 mm <sup>2</sup>	6 ... 8 mm	25 g	<b>18493</b>	<b>NTSD-GD-9</b>
4-pin, Angled socket, Screw terminal	Pg11	2.5 mm <sup>2</sup>	5 ... 11 mm	34 g	<b>533119</b>	<b>NTSD-WD-11</b>
	Pg 9	1.5 mm <sup>2</sup>	6 ... 8 mm	30 g	<b>18527</b>	<b>NTSD-WD-9</b>

**Ordering data – Plug M12x1**

Electrical connection	Cable fitting	Connection cross section	Permissible cable diameter	Product weight	Part no.	Type
5-pin, Straight plug connector/screw terminal		0.75 mm <sup>2</sup>	6 ... 8 mm		<b>538999</b>	<b>NTSD-GD-9-M12-5POL-RK</b>