

Push-in fitting, resistant to media NPQP

**FESTO**



## Characteristics

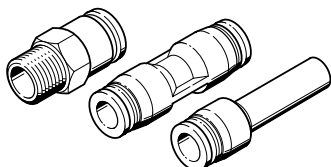
### At a glance

- Polypropylene
- Largely resistant to all common cleaning agents in combination with the tubing PLN
- For use with extreme media influences
- For suitability for use in the food industry see [www.festo.com/certificates/NPQP](http://www.festo.com/certificates/NPQP)
- Operating medium: compressed air, vacuum

### Design

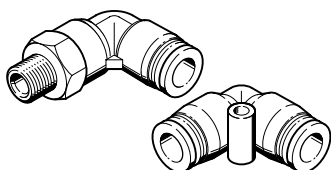
Available in different versions: straight, L-shaped, T-shaped, Y-shaped, push-in bulkhead connector and blanking plugs.

#### [D] Straight



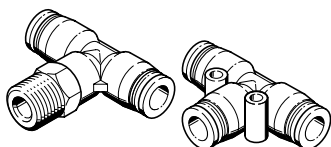
- Push-in fitting
- Push-in connector
- Push-in connector with push-in sleeve

#### [L] L-shape



- Push-in fitting
- Push-in connector

#### [T] T-shape



- Push-in fitting
- Push-in connector

### Certification

[Link](#) [npqp/downloads](#)

#### [FD] FDA approval

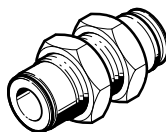
More information [www.festo.com/catalogue/npqp](http://www.festo.com/catalogue/npqp) → Downloads.

### Packaging quantity [pieces]

#### [ ] Standard

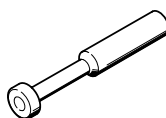
Standard: 1 unit

#### [H] Bulkhead

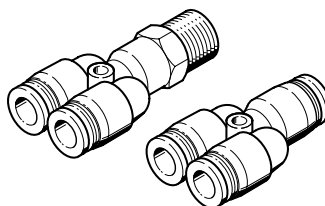


- Push-in connector

#### [P] Blanking plug



#### [Y] Y-shape



- Push-in fitting
- Push-in connector

#### [P10] 10

Pack size: 10 units

## Type code

<b>001</b>	<b>Series</b>	
<b>NPQP</b>	Push-in fitting	
<b>002</b>	<b>Design</b>	
<b>D</b>	Straight	
<b>H</b>	Bulkhead	
<b>L</b>	L-shape	
<b>P</b>	Blanking plug	
<b>T</b>	T-shape	
<b>Y</b>	Y-shape	
<b>003</b>	<b>Additional characteristics</b>	
	None	
<b>Q</b>	Additional plug connector, lengthwise	
<b>004</b>	<b>Pneumatic connection 1</b>	
<b>Q4</b>	Push-in connector 4 mm	
<b>Q6</b>	Push-in connector 6 mm	
<b>Q8</b>	Push-in connector 8 mm	
<b>Q10</b>	Push-in connector 10 mm	
<b>Q12</b>	Push-in connector 12 mm	
<b>R12</b>	R1/2	
<b>R14</b>	R1/4	
<b>R18</b>	R1/8	
<b>R38</b>	R3/8	
<b>S4</b>	Push-in sleeve 4 mm	
<b>S6</b>	Push-in sleeve 6 mm	
<b>S8</b>	Push-in sleeve 8 mm	
<b>S10</b>	Push-in sleeve 10 mm	
<b>S12</b>	Push-in sleeve 12 mm	

<b>005</b>	<b>Pneumatic connection 2</b>	
	None	
<b>E</b>	Same size as connection 1	
<b>Q4</b>	Push-in connector 4 mm	
<b>Q6</b>	Push-in connector 6 mm	
<b>Q8</b>	Push-in connector 8 mm	
<b>Q10</b>	Push-in connector 10 mm	
<b>Q12</b>	Push-in connector 12 mm	
<b>S6</b>	Push-in sleeve 6 mm	
<b>S8</b>	Push-in sleeve 8 mm	
<b>S10</b>	Push-in sleeve 10 mm	
<b>S12</b>	Push-in sleeve 12 mm	
<b>006</b>	<b>Certification</b>	
<b>FD</b>	FDA approval	
<b>007</b>	<b>Packaging quantity [pieces]</b>	
	Standard	
<b>P10</b>	10	

## Datasheet

### General technical data

Size	Standard
Design	Push-pull principle

### Operating and environmental conditions

Temperature-dependent operating pressure	-0.95 ... 10 bar
Operating medium	Compressed air to ISO 8573-1:2010 [7:-:]
Note on operating and pilot medium	Lubricated operation possible
Ambient temperature <sup>1)</sup>	-20 ... 60°C
Corrosion resistance class CRC <sup>2)</sup>	4 - Very high corrosion stress
Suitable for use with food	See supplementary material information

1) Note the operating range of the plastic tubing.

2) Corrosion resistance class CRC 3 to Festo standard FN 940070

High corrosion stress. Outdoor exposure under moderate corrosive conditions. External visible parts in direct contact with a normal industrial environment, with primarily functional surface requirements.

### Materials

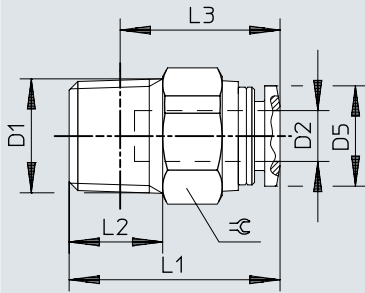
Material housing	PP
Material tubing clamp component	High-alloy stainless steel
Material nut <sup>1)</sup>	High-alloy stainless steel
Note on materials	RoHS-compliant
LABS (PWIS) conformity	VDMA24364 zone III

1) Applies to NPQP-H

## Dimensions

Dimensions – Push-in fitting NPQP-D, male thread with external hex

Download CAD data [www.festo.com](http://www.festo.com)

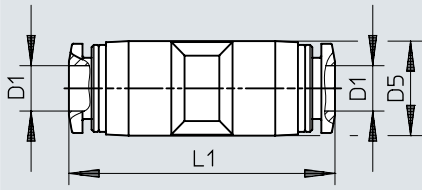


	D1	D2 ∅	D5	L1	L2	L3	⊕
NPQP-D-R18-Q4-FD	R1/8	4	9,9	21,1	8	17,1	12
NPQP-D-R18-Q4-FD-P10							
NPQP-D-R18-Q6-FD		6	11,8	22,8	8	18,8	14
NPQP-D-R18-Q6-FD-P10							
NPQP-D-R18-Q8-FD		8	13,8	27,9	8	23,9	17
NPQP-D-R18-Q8-FD-P10							
NPQP-D-R14-Q4-FD-P10	R1/4	4	9,9	22,3	11	16,3	14
NPQP-D-R14-Q6-FD							
NPQP-D-R14-Q6-FD-P10		6	11,8	24,8	11	18,8	14
NPQP-D-R14-Q8-FD							
NPQP-D-R14-Q8-FD-P10		8	13,8	26,6	11	20,6	17
NPQP-D-R14-Q10-FD							
NPQP-D-R14-Q10-FD-P10	10	16,8	32,6	11	26,6	19	
NPQP-D-R38-Q10-FD	R3/8	10	16,8	33,6	12	27,3	19
NPQP-D-R38-Q10-FD-P10							
NPQP-D-R38-Q12-FD		12	19,8	37,6	12	31,3	22
NPQP-D-R38-Q12-FD-P10							
NPQP-D-R12-Q12-FD	R1/2	12	19,8	34,1	15	25,9	22

## Dimensions

### Dimensions – Push-in connector NPQP-D

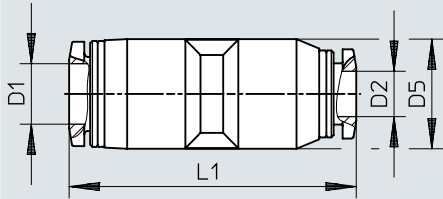
Download CAD data [www.festo.com](http://www.festo.com)



	D1 ø	D5 ø	L1
NPQP-D-Q4-E-FD-P10	4	10,0	31,0
NPQP-D-Q6-E-FD-P10	6	12,5	35,2
NPQP-D-Q8-E-FD-P10	8	14,5	37,8
NPQP-D-Q10-E-FD-P10	10	17,5	41,8
NPQP-D-Q12-E-FD-P10	12	21,0	48,2

## Dimensions

## Dimensions – Push-in connector NPQP-D, reducing

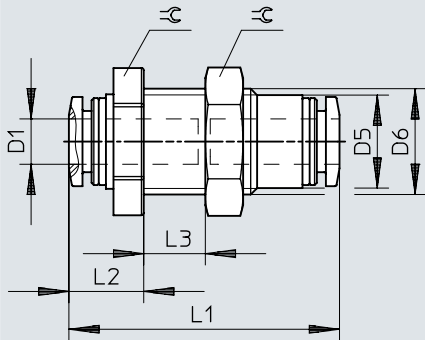
Download CAD data [www.festo.com](http://www.festo.com)

	D1 ∅	D2 ∅	D5 ∅	L1
NPQP-D-Q6-Q4-FD-P10	6	4	12,5	34,6
NPQP-D-Q8-Q6-FD	8	6	14,5	38,0
NPQP-D-Q8-Q6-FD-P10				
NPQP-D-Q10-Q8-FD	10	8	17,5	41,3
NPQP-D-Q10-Q8-FD-P10				
NPQP-D-Q12-Q10-FD-P10	12	10	21,0	48,0

## Dimensions

Dimensions – Push-in bulkhead connector NPQP-H

Download CAD data [www.festo.com](http://www.festo.com)

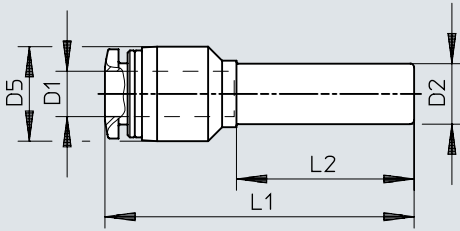


	D1 ∅	D5 ∅	D6	L1	L2	L3 max.	⊖
NPQP-H-Q4-E-FD	4	10	M12x1,5	31,6	9,3	6,5	14
NPQP-H-Q6-E-FD	6	12,3	M14x1,5	35,8	9,9	9,5	17
NPQP-H-Q8-E-FD	8	14,2	M16x1,5	38,4	10,7	9	19
NPQP-H-Q10-E-FD	10	17,5	M20x2	43,4	13,2	12	24
NPQP-H-Q12-E-FD	12	21	M24x2	48,8	13,4	14	27



## Dimensions

## Dimensions – Push-in connector NPQP-D with push-in sleeve

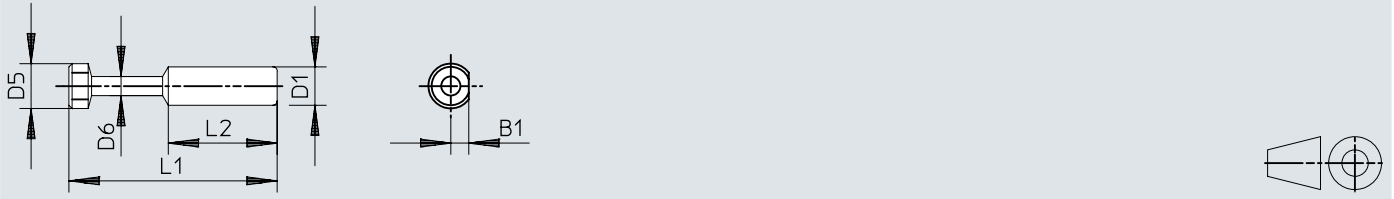
Download CAD data [www.festo.com](http://www.festo.com)

	D1 ∅	D2 ∅	D5 ∅	L1	L2
NPQP-D-Q4-S6-FD-P10	4	6	10,0	37,8	22,3
NPQP-D-Q4-S8-FD-P10		8	12,5	40,3	23,3
NPQP-D-Q6-S8-FD-P10	6	8	12,5	40,9	23,3
NPQP-D-Q6-S10-FD-P10		10	12,5	43,9	28,3
NPQP-D-Q8-S10-FD-P10	8	10	14,5	43,7	24,8
NPQP-D-Q8-S12-FD-P10		12	14,5	49,7	33,5
NPQP-D-Q10-S12-FD-P10	10	12	17,5	50,2	28,8

## Dimensions

### Dimensions – Blanking plug NPQP-P-S4

Download CAD data [www.festo.com](http://www.festo.com)

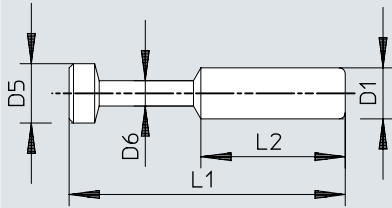


	D1 ∅	B1	D5 ∅	D6 ∅	L1	L2
NPQP-P-S4-FD-P10	4	2,1	5	3	27,5	15,0

## Dimensions

### Dimensions – Blanking plug NPQP-P-S6/NPQP-P-S8

Download CAD data [www.festo.com](http://www.festo.com)

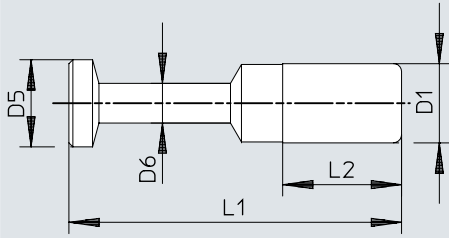


	D1 ø	D5 ø	D6 ø	L1	L2
NPQP-P-S6-FD-P10	6	7	3	32,5	17,0
NPQP-P-S8-FD-P10	8	9	4	36,5	18,1

## Dimensions

### Dimensions – Blanking plug NPQP-P-S10/NPQP-P-S12

Download CAD data [www.festo.com](http://www.festo.com)

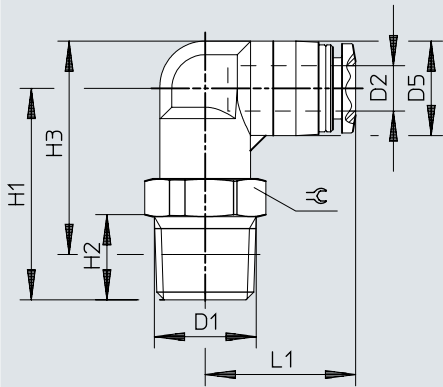


	D1 ø	D5 ø	D6 ø	L1	L2
NPQP-P-S10-FD-P10	10	11	5	42,0	20,2
NPQP-P-S12-FD-P10	12	13	6	44,0	23,4

## Dimensions

Dimensions – Push-in L-fitting NPQP-L, male thread with external hex

Download CAD data [www.festo.com](http://www.festo.com)

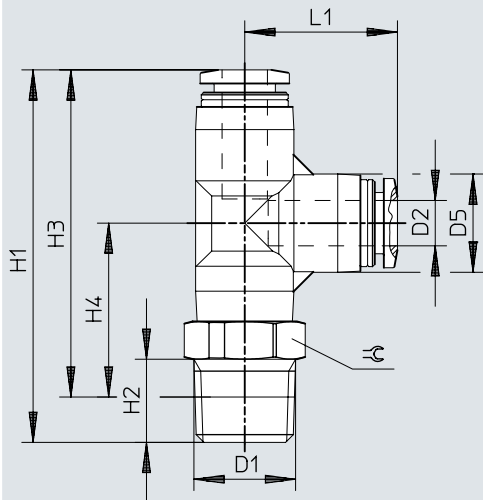


	D1	D2 ∅	D5	H1	H2	H3	L1	≅
NPQP-L-R18-Q4-FD-P10	R1/8	4	10,0	23,3	8	24,3	18,1	10
NPQP-L-R18-Q6-FD		6	12,5	25,0	8	27,3	19,9	12
NPQP-L-R18-Q6-FD-P10		8	14,5	28,0	8	31,3	22,7	14
NPQP-L-R18-Q8-FD		4	10,0	26,3	11	25,3	18,1	14
NPQP-L-R18-Q8-FD-P10		6	12,5	28,0	11	28,2	19,9	14
NPQP-L-R14-Q4-FD-P10	R1/4	8	14,5	31,0	11	32,2	22,7	14
NPQP-L-R14-Q6-FD		10	17,5	36,0	11	38,7	26,4	17
NPQP-L-R14-Q6-FD-P10		10	17,5	36,0	11	38,7	26,4	17
NPQP-L-R14-Q8-FD		10	17,5	36,0	11	38,7	26,4	17
NPQP-L-R14-Q8-FD-P10		10	17,5	36,0	11	38,7	26,4	17
NPQP-L-R14-Q10-FD	R3/8	10	17,5	37,0	12	39,4	26,4	17
NPQP-L-R38-Q10-FD-P10		12	21,0	39,0	12	43,2	29,6	22
NPQP-L-R38-Q12-FD		12	21,0	39,0	12	43,2	29,6	22
NPQP-L-R38-Q12-FD-P10		12	21,0	39,0	12	43,2	29,6	22
NPQP-L-R12-Q12-FD	R1/2	12	21,0	42,0	15	44,3	29,6	22

## Dimensions

Dimensions – Push-in L-fitting NPQP-LQ, male thread with external hex

Download CAD data [www.festo.com](http://www.festo.com)

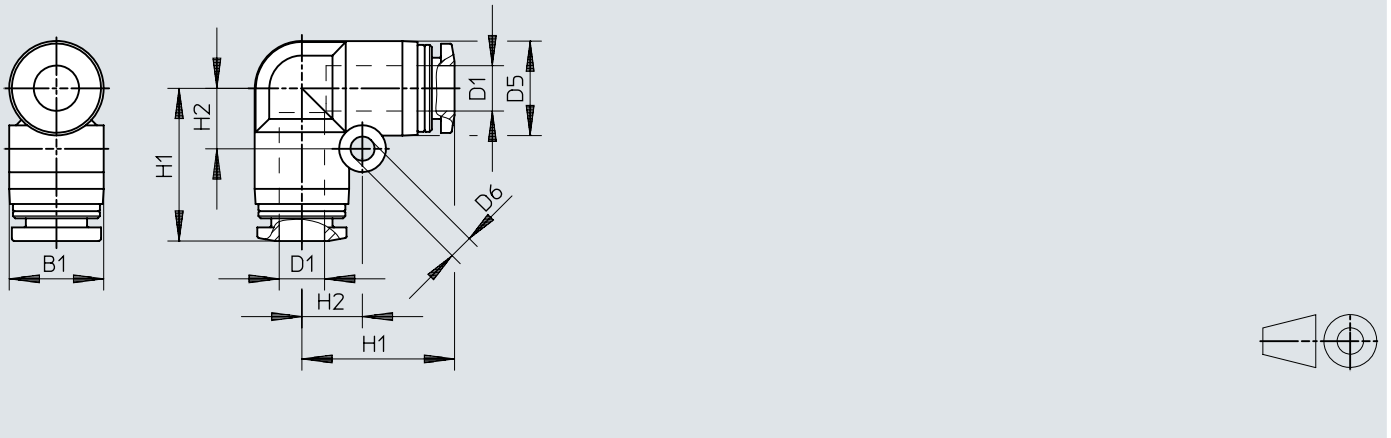


	D1	D2 ∅	D5	H1	H2	H3	H4	L1	⊖
NPQP-LQ-R18-Q4-FD-P10	R1/8	4	10,0	40,2	8	36,2	19,2	17,0	10
NPQP-LQ-R18-Q6-FD-P10		6	13,0	46,3	8	42,3	22,0	20,2	12
NPQP-LQ-R18-Q8-FD		8	15,0	50,4	8	46,4	24,2	22,2	14
NPQP-LQ-R18-Q8-FD-P10									
NPQP-LQ-R14-Q4-FD-P10	R1/4	4	10,0	43,2	11	37,2	20,2	17,0	14
NPQP-LQ-R14-Q6-FD-P10		6	13,0	49,3	11	43,3	23,0	20,2	14
NPQP-LQ-R14-Q8-FD-P10		8	15,0	53,4	11	47,4	25,2	22,2	14
NPQP-LQ-R14-Q10-FD-P10		10	17,5	61,4	11	55,4	30,0	25,4	17
NPQP-LQ-R38-Q10-FD-P10	R3/8	10	17,5	62,4	12	56,1	30,7	25,4	17
NPQP-LQ-R38-Q12-FD-P10		12	21,0	67,8	12	61,5	32,9	28,4	22
NPQP-LQ-R12-Q12-FD	R1/2	12	21,0	70,8	15	62,6	34,0	28,4	22

## Dimensions

Dimensions – Push-in L-connector NPQP-L

Download CAD data [www.festo.com](http://www.festo.com)

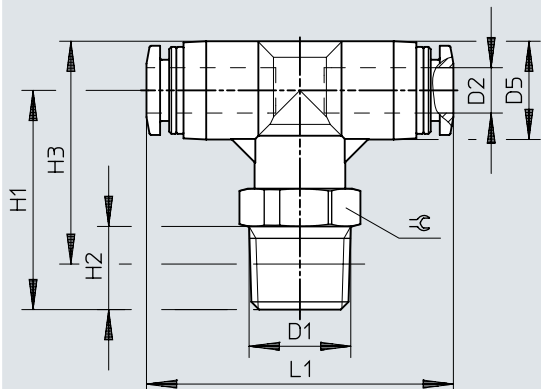


	D1 ∅	D5 ∅	D6	B1	H1	H2
NPQP-L-Q4-E-FD-P10	4	10,0	3,2	10,0	17,0	6,5
NPQP-L-Q6-E-FD	6	12,5	3,2	12,5	20,2	8,0
NPQP-L-Q6-E-FD-P10						
NPQP-L-Q8-E-FD-P10	8	15,0	4,2	15,6	22,4	10,0
NPQP-L-Q10-E-FD-P10	10	17,5	4,2	18,2	26,4	12,0
NPQP-L-Q12-E-FD-P10	12	21,0	4,2	21,7	29,6	14,0

## Dimensions

Dimensions – Push-in T-fitting NPQP-T

Download CAD data [www.festo.com](http://www.festo.com)



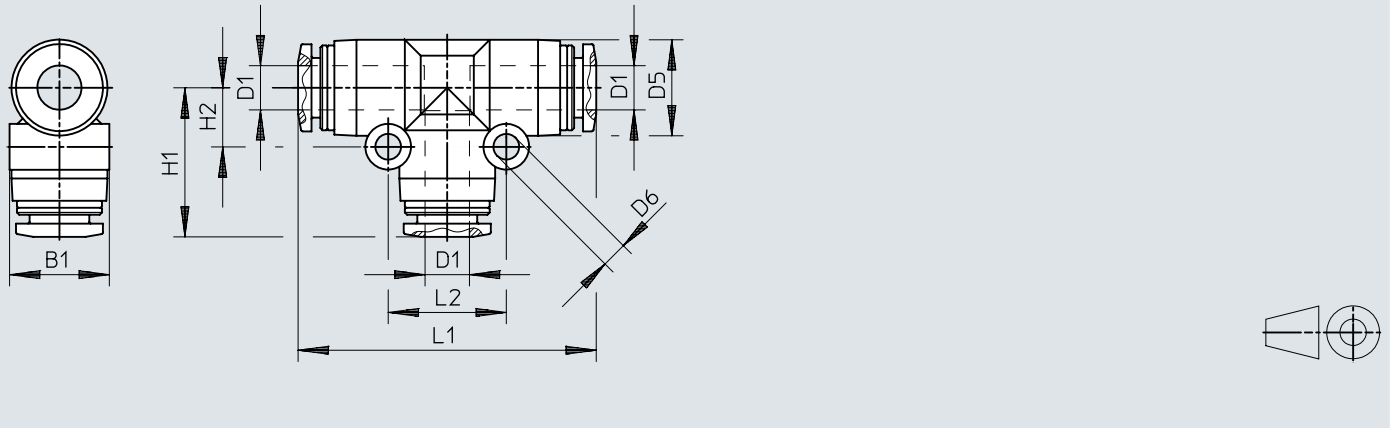
	D1	D2 ∅	D5	H1	H2	H3	L1	≅
NPQP-T-R18-Q4-FD-P10	R1/8	4	10,0	23,2	8	24,2	34,0	10
NPQP-T-R18-Q6-FD-P10		6	13,0	26,0	8	28,5	40,6	12
NPQP-T-R18-Q8-FD-P10		8	15,0	26,3	8	29,8	44,8	14
NPQP-T-R14-Q4-FD-P10	R1/4	4	10,0	26,2	11	25,2	34,0	14
NPQP-T-R14-Q6-FD-P10		6	13,0	29,0	11	29,5	40,6	14
NPQP-T-R14-Q8-FD-P10		8	15,0	29,3	11	30,8	44,8	14
NPQP-T-R14-Q10-FD-P10		10	17,5	36,0	11	38,7	50,8	17
NPQP-T-R38-Q10-FD-P10	R3/8	10	17,5	37,0	12	39,4	50,8	17
NPQP-T-R38-Q12-FD-P10		12	21,0	39,0	12	43,2	57,2	22
NPQP-T-R12-Q12-FD	R1/2	12	21,0	42,0	15	44,3	57,2	22



## Dimensions

Dimensions – Push-in T-connector NPQP-T

Download CAD data [www.festo.com](http://www.festo.com)

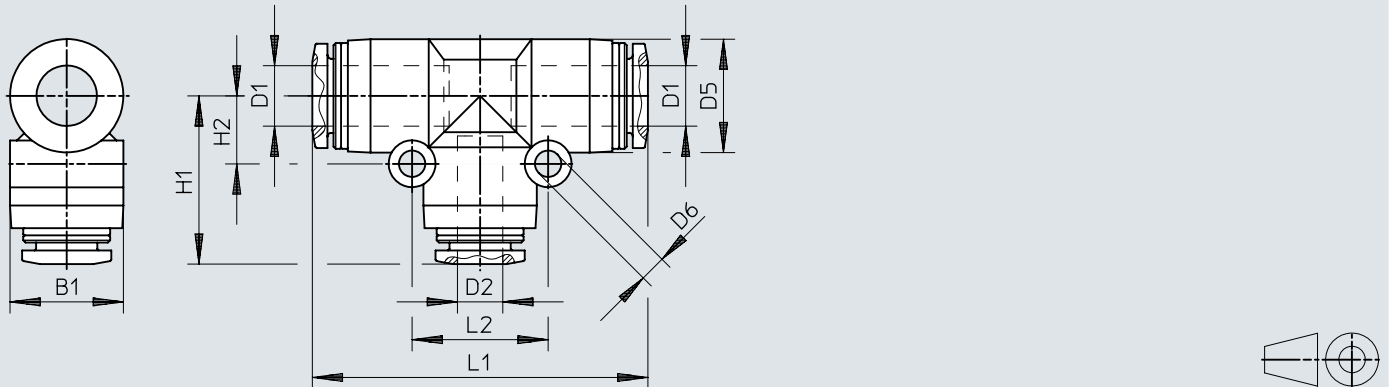


	D1 ø	D5 ø	D6	B1	H1	H2	L1	L2
NPQP-T-Q4-E-FD-P10	4	10,0	3,2	10,4	17,3	6,5	34,6	13,0
NPQP-T-Q6-E-FD	6	13,0	3,2	13,5	20,2	8,0	40,4	16,0
NPQP-T-Q6-E-FD-P10								
NPQP-T-Q8-E-FD	8	15,0	3,2	15,6	22,2	9,0	44,4	18,0
NPQP-T-Q8-E-FD-P10								
NPQP-T-Q10-E-FD	10	17,5	4,2	18,2	25,4	12,0	50,8	24,0
NPQP-T-Q10-E-FD-P10								
NPQP-T-Q12-E-FD	12	21,0	4,2	21,7	28,4	14,0	57,2	28,0
NPQP-T-Q12-E-FD-P10								

## Dimensions

### Dimensions – Push-in T-connector NPQP-T, reducing

Download CAD data [www.festo.com](http://www.festo.com)

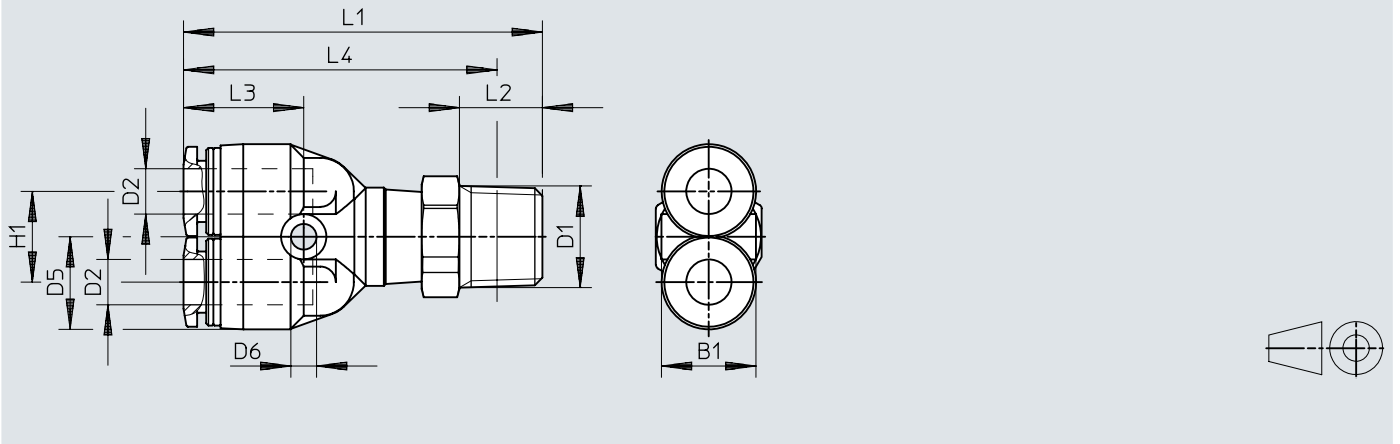


	D1 ∅	D2 ∅	D5 ∅	D6	B1	H1	H2	L1	L2
NPQP-T-Q6-Q4-FD	6	4	13,0	3,2	13,5	19,6	8,0	40,4	16,0
NPQP-T-Q6-Q4-FD-P10									
NPQP-T-Q8-Q6-FD-P10	8	6	15,0	3,2	15,6	22,4	9,0	44,4	18,0
NPQP-T-Q10-Q8-FD-P10	10	8	17,5	4,2	18,2	24,9	12,0	50,8	24,0
NPQP-T-Q12-Q10-FD-P10	12	10	21,0	4,2	21,7	28,2	14,0	57,2	28,0

## Dimensions

### Dimensions – Push-in Y-fitting NPQP-Y

Download CAD data [www.festo.com](http://www.festo.com)

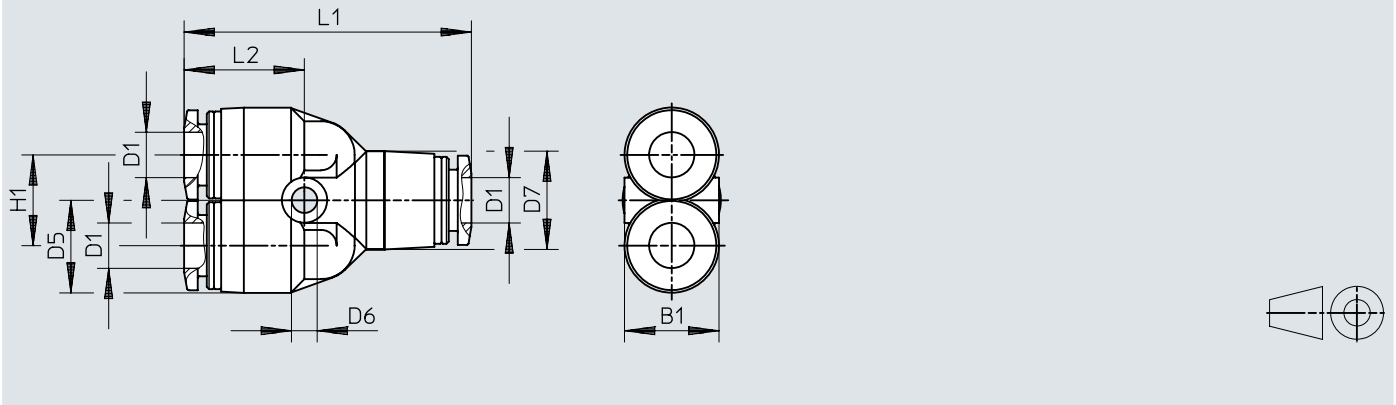


	D1	D2 ø	D5	D6	B1	H1	L1	L2	L3	L4	⌀
NPQP-Y-R18-Q4-FD-P10	R1/8	4	10,0	3,2	10,4	11	40,7	8	14,2	36,7	10
NPQP-Y-R18-Q6-FD-P10		6	12,5	3,4	13,5	12	44,5	8	15,9	40,5	12
NPQP-Y-R18-Q8-FD-P10		8	14,5	3,4	14,5	14	48,7	8	17,2	44,7	14
NPQP-Y-R14-Q4-FD-P10	R1/4	4	10,0	3,2	10,4	11	43,7	11	14,2	37,7	14
NPQP-Y-R14-Q6-FD-P10		6	12,5	3,4	13,5	12	47,5	11	15,9	41,5	14
NPQP-Y-R14-Q8-FD-P10		8	14,5	3,4	14,5	14	51,7	11	17,2	45,7	14
NPQP-Y-R14-Q10-FD-P10		10	18,0	4,5	18,0	18	58,5	11	19,7	52,5	17
NPQP-Y-R38-Q10-FD-P10	R3/8	10	18,0	4,5	18,0	18	59,5	12	19,7	53,2	17
NPQP-Y-R38-Q12-FD-P10		12	21,0	4,2	21,0	20	64,7	12	22,4	58,4	22
NPQP-Y-R12-Q12-FD	R1/2	12	21,0	4,2	21,0	20	67,7	15	22,4	59,5	22

## Dimensions

### Dimensions – Push-in Y-connector NPQP-Y

Download CAD data [www.festo.com](http://www.festo.com)

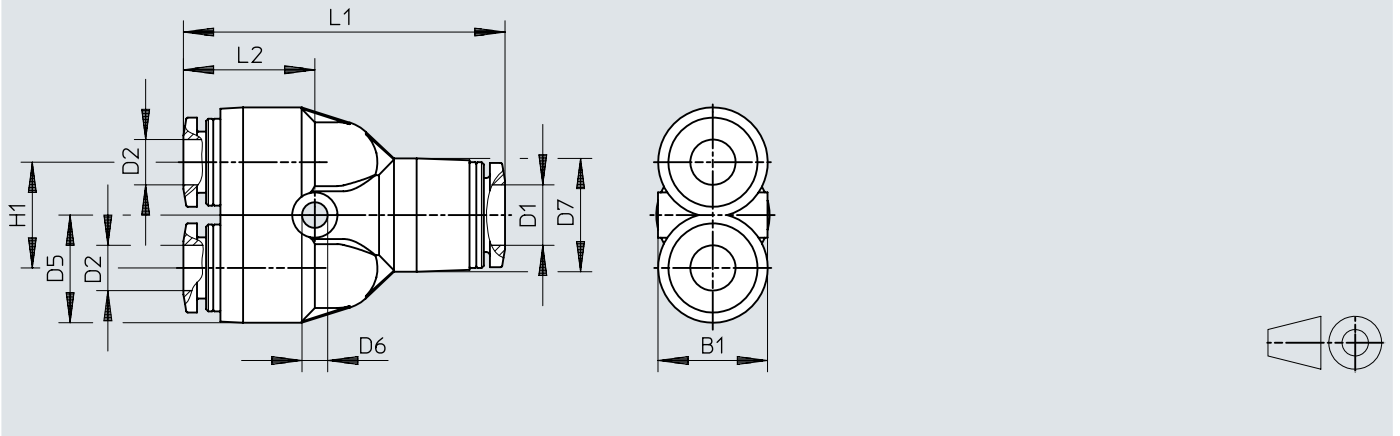


	D1 ∅	D5 ∅	D6	D7	B1	H1	L1	L2
NPQP-Y-Q4-E-FD-P10	4	10,0	3,2	10,0	10,4	11,0	33,0	14,2
NPQP-Y-Q6-E-FD	6	12,5	3,4	13,0	13,5	12,0	38,0	15,9
NPQP-Y-Q6-E-FD-P10								
NPQP-Y-Q8-E-FD	8	14,5	3,4	15,0	14,5	14,0	42,4	17,2
NPQP-Y-Q8-E-FD-P10								
NPQP-Y-Q10-E-FD-P10	10	17,5	4,2	17,5	18,2	18,0	48,8	19,7
NPQP-Y-Q12-E-FD-P10	12	21,0	4,2	21,0	21,7	20,0	55,2	22,4

## Dimensions


### Dimensions – Push-in Y-connector NPQP-Y, reducing


Download CAD data [www.festo.com](http://www.festo.com)




	D1 ∅	D2 ∅	D5 ∅	D6	D7	B1	H1	L1	L2
NPQP-Y-Q6-Q4-FD-P10	6	4	12,5	3,4	13,0	13,5	12,0	37,4	15,3
NPQP-Y-Q8-Q6-FD-P10	8	6	12,5	3,4	14,5	15,1	14,0	42,6	17,4
NPQP-Y-Q10-Q8-FD-P10	10	8	14,5	4,5	17,5	18,2	18,0	48,3	19,2
NPQP-Y-Q12-Q10-FD-P10	12	10	17,5	4,5	21,0	21,7	20,0	55,0	22,2


## Ordering data


Push-in fitting NPQP-D, male thread with external hex						
	Pneumatic connection, port 1	Pneumatic connection, port 2	Nominal size	Size of pack	Part no.	Type
	Male thread R1/8	For tubing outside diameter of 4 mm	2.1 mm	10	133041	NPQP-D-R18-Q4-FD-P10
		For tubing outside diameter of 6 mm	3.4 mm		133043	NPQP-D-R18-Q6-FD-P10
		For tubing outside diameter of 8 mm	5.3 mm		133045	NPQP-D-R18-Q8-FD-P10
	Male thread R1/4	For tubing outside diameter of 4 mm	2.1 mm		133042	NPQP-D-R14-Q4-FD-P10
		For tubing outside diameter of 6 mm	3.4 mm		133044	NPQP-D-R14-Q6-FD-P10
		For tubing outside diameter of 8 mm	5.3 mm		133046	NPQP-D-R14-Q8-FD-P10
		For tubing outside diameter of 6.2 mm	6.2 mm		133047	NPQP-D-R14-Q10-FD-P10
	Male thread R3/8	For tubing outside diameter of 10 mm	7.2 mm	133048	NPQP-D-R38-Q10-FD-P10	
		For tubing outer diameter of 12 mm		133049	NPQP-D-R38-Q12-FD-P10	
	Male thread R1/2			1	133050	NPQP-D-R12-Q12-FD


Push-in connector NPQP-D						
	Pneumatic connection, port 1	Pneumatic connection, port 2	Nominal size	Size of pack	Part no.	Type
	For tubing outer diameter of 4 mm	For tubing outside diameter of 4 mm	2.8 mm	10	133091	NPQP-D-Q4-E-FD-P10
	For tubing outside diameter of 6 mm	For tubing outside diameter of 6 mm	4.3 mm		133092	NPQP-D-Q6-E-FD-P10
	For tubing outer diameter of 8 mm	For tubing outside diameter of 8 mm	7 mm		133093	NPQP-D-Q8-E-FD-P10
	For tubing outer diameter of 10 mm	For tubing outside diameter of 10 mm	9 mm		133094	NPQP-D-Q10-E-FD-P10
	For tubing outer diameter of 12 mm	For tubing outer diameter of 12 mm	11 mm		133095	NPQP-D-Q12-E-FD-P10


Push-in connector NPQP-D, reducing						
	Pneumatic connection, port 1	Pneumatic connection, port 2	Nominal size	Size of pack	Part no.	Type
	For tubing outside diameter of 6 mm	For tubing outside diameter of 4 mm	2.8 mm	10	133096	NPQP-D-Q6-Q4-FD-P10
	For tubing outer diameter of 8 mm	For tubing outside diameter of 6 mm	4.3 mm		133097	NPQP-D-Q8-Q6-FD-P10
	For tubing outer diameter of 10 mm	For tubing outside diameter of 8 mm	6.5 mm		133098	NPQP-D-Q10-Q8-FD-P10

## Ordering data

Push-in connector NPQP-D, reducing						
	Pneumatic connection, port 1	Pneumatic connection, port 2	Nominal size	Size of pack	Part no.	Type
	For tubing outer diameter of 12 mm	For tubing outside diameter of 10 mm	9 mm	10	133099	NPQP-D-Q12-Q10-FD-P10


Push-in bulkhead connector NPQP-H						
	Pneumatic connection, port 1	Pneumatic connection, port 2	Nominal size	Size of pack	Part no.	Type
	For tubing outer diameter of 4 mm	For tubing outside diameter of 4 mm	2.3 mm	1	133100	NPQP-H-Q4-E-FD
	For tubing outside diameter of 6 mm	For tubing outside diameter of 6 mm	3.7 mm		133101	NPQP-H-Q6-E-FD
	For tubing outer diameter of 8 mm	For tubing outside diameter of 8 mm	4.9 mm		133102	NPQP-H-Q8-E-FD
	For tubing outer diameter of 10 mm	For tubing outside diameter of 10 mm	7.1 mm		133103	NPQP-H-Q10-E-FD
	For tubing outer diameter of 12 mm	For tubing outer diameter of 12 mm	7.8 mm		133104	NPQP-H-Q12-E-FD

Push-in connector NPQP-D, with push-in sleeve						
	Pneumatic connection, port 1	Pneumatic connection, port 2	Nominal size	Size of pack	Part no.	Type
	Push-in sleeve Ø 6 mm	For tubing outside diameter of 4 mm	2.5 mm	10	133133	NPQP-D-Q4-S6-FD-P10
	Push-in sleeve Ø 8 mm		2.4 mm		133134	NPQP-D-Q4-S8-FD-P10
	Push-in sleeve Ø 10 mm	For tubing outside diameter of 6 mm	3.8 mm		133135	NPQP-D-Q6-S8-FD-P10
			5.4 mm		133137	NPQP-D-Q8-S10-FD-P10
	Push-in sleeve Ø 12 mm	For tubing outside diameter of 8 mm	6.3 mm		133138	NPQP-D-Q8-S12-FD-P10
			6.3 mm		133139	NPQP-D-Q10-S12-FD-P10


Blanking plug NPQP-P						
	Pneumatic connection, port 1	Product weight	Size of pack	Part no.	Type	
	Push-in sleeve Ø 4 mm	0.5 g	10	133128	NPQP-P-S4-FD-P10	
	Push-in sleeve Ø 6 mm	1 g		133129	NPQP-P-S6-FD-P10	
	Push-in sleeve Ø 8 mm			133130	NPQP-P-S8-FD-P10	
	Push-in sleeve Ø 10 mm	2 g		133131	NPQP-P-S10-FD-P10	
	Push-in sleeve Ø 12 mm	2.5 g		133132	NPQP-P-S12-FD-P10	

## Ordering data


### Push-in L-fitting NPQP-L, male thread with external hex

	Pneumatic connection, port 1	Pneumatic connection, port 2	Nominal size	Size of pack	Part no.	Type
	Male thread R1/8	For tubing outside diameter of 4 mm	2,1 mm	10	133051	NPQP-L-R18-Q4-FD-P10
		For tubing outside diameter of 6 mm	3,3 mm		133053	NPQP-L-R18-Q6-FD-P10
		For tubing outside diameter of 8 mm	4,7 mm		133055	NPQP-L-R18-Q8-FD-P10
	Male thread R1/4	For tubing outside diameter of 4 mm	2,1 mm		133052	NPQP-L-R14-Q4-FD-P10
		For tubing outside diameter of 6 mm	3,3 mm		133054	NPQP-L-R14-Q6-FD-P10
		For tubing outside diameter of 8 mm	4,7 mm		133056	NPQP-L-R14-Q8-FD-P10
		For tubing outside diameter of 10 mm	5,7 mm		133057	NPQP-L-R14-Q10-FD-P10
	Male thread R3/8	For tubing outside diameter of 10 mm			133058	NPQP-L-R38-Q10-FD-P10
	Male thread R1/2	For tubing outside diameter of 12 mm	6,9 mm		133059	NPQP-L-R38-Q12-FD-P10
				133060	NPQP-L-R12-Q12-FD	
			1			

### Push-in L-fitting NPQP-LQ, male thread with external hex and additional push-in fitting lengthwise


	Pneumatic connection, port 1	Pneumatic connection, port 2	Nominal size	Size of pack	Part no.	Type
	Male thread R1/8	For tubing outside diameter of 4 mm	2 mm	10	133061	NPQP-LQ-R18-Q4-FD-P10
		For tubing outside diameter of 6 mm	3.3 mm		133063	NPQP-LQ-R18-Q6-FD-P10
		For tubing outside diameter of 8 mm	4.8 mm		133065	NPQP-LQ-R18-Q8-FD-P10
	Male thread R1/4	For tubing outside diameter of 4 mm	2 mm		133062	NPQP-LQ-R14-Q4-FD-P10
		For tubing outside diameter of 6 mm	3.3 mm		133064	NPQP-LQ-R14-Q6-FD-P10
		For tubing outside diameter of 8 mm	4.8 mm		133066	NPQP-LQ-R14-Q8-FD-P10
		For tubing outside diameter of 10 mm	5.8 mm		133067	NPQP-LQ-R14-Q10-FD-P10
	Male thread R3/8	For tubing outside diameter of 10 mm			133068	NPQP-LQ-R38-Q10-FD-P10
	Male thread R1/2	For tubing outer diameter of 12 mm	6.9 mm		133069	NPQP-LQ-R38-Q12-FD-P10
				133070	NPQP-LQ-R12-Q12-FD	
			1			


### Push-in L-connector NPQP-L


	Pneumatic connection, port 1	Pneumatic connection, port 2	Nominal size	Size of pack	Part no.	Type
	For tubing outer diameter of 4 mm	For tubing outside diameter of 4 mm	2.8 mm	10	133105	NPQP-L-Q4-E-FD-P10




## Ordering data


Push-in L-connector NPQP-L						
	Pneumatic connection, port 1	Pneumatic connection, port 2	Nominal size	Size of pack	Part no.	Type
	For tubing outside diameter of 6 mm	For tubing outside diameter of 6 mm	5 mm	10	133106	NPQP-L-Q6-E-FD-P10
	For tubing outer diameter of 8 mm	For tubing outside diameter of 8 mm	7.2 mm		133107	NPQP-L-Q8-E-FD-P10
	For tubing outer diameter of 10 mm	For tubing outside diameter of 10 mm	8.3 mm		133108	NPQP-L-Q10-E-FD-P10
	For tubing outer diameter of 12 mm	For tubing outer diameter of 12 mm	10 mm		133109	NPQP-L-Q12-E-FD-P10


Push-in T-fitting NPQP-T							
	Pneumatic connection, port 1	Pneumatic connection, port 2	Nominal size	Size of pack	Part no.	Type	
	Male thread R1/8	For tubing outside diameter of 4 mm	2 mm	10	133071	NPQP-T-R18-Q4-FD-P10	
		For tubing outside diameter of 6 mm	3.2 mm		133073	NPQP-T-R18-Q6-FD-P10	
		For tubing outside diameter of 8 mm	4.7 mm		133075	NPQP-T-R18-Q8-FD-P10	
	Male thread R1/4	For tubing outside diameter of 4 mm	2 mm		133072	NPQP-T-R14-Q4-FD-P10	
		For tubing outside diameter of 6 mm	3.2 mm		133074	NPQP-T-R14-Q6-FD-P10	
		For tubing outside diameter of 8 mm	4.7 mm		133076	NPQP-T-R14-Q8-FD-P10	
	Male thread R3/8	For tubing outside diameter of 10 mm	5.8 mm		133077	NPQP-T-R14-Q10-FD-P10	
		For tubing outer diameter of 12 mm	6.9 mm		133078	NPQP-T-R38-Q10-FD-P10	
	Male thread R1/2				1	133079	NPQP-T-R38-Q12-FD-P10
						133080	NPQP-T-R12-Q12-FD

Push-in T-connector NPQP-T						
	Pneumatic connection, port 1	Pneumatic connection, port 2	Nominal size	Size of pack	Part no.	Type
	For tubing outer diameter of 4 mm	For tubing outside diameter of 4 mm	2.8 mm	10	133110	NPQP-T-Q4-E-FD-P10
	For tubing outside diameter of 6 mm	For tubing outside diameter of 6 mm	4.8 mm		133111	NPQP-T-Q6-E-FD-P10
	For tubing outer diameter of 8 mm	For tubing outside diameter of 8 mm	6.2 mm		133112	NPQP-T-Q8-E-FD-P10
	For tubing outer diameter of 10 mm	For tubing outside diameter of 10 mm	8.1 mm		133113	NPQP-T-Q10-E-FD-P10


## Ordering data


Push-in T-connector NPQP-T						
	Pneumatic connection, port 1	Pneumatic connection, port 2	Nominal size	Size of pack	Part no.	Type
	For tubing outer diameter of 12 mm	For tubing outer diameter of 12 mm	10 mm	10	133114	NPQP-T-Q12-E-FD-P10

Push-in T-connector NPQP-T, reducing						
	Pneumatic connection, port 1	Pneumatic connection, port 2	Nominal size	Size of pack	Part no.	Type
	For tubing outside diameter of 6 mm	For tubing outside diameter of 4 mm	2.3 mm	10	133115	NPQP-T-Q6-Q4-FD-P10
	For tubing outer diameter of 8 mm	For tubing outside diameter of 6 mm	3.6 mm		133116	NPQP-T-Q8-Q6-FD-P10
	For tubing outer diameter of 10 mm	For tubing outside diameter of 8 mm	5 mm		133117	NPQP-T-Q10-Q8-FD-P10
	For tubing outer diameter of 12 mm	For tubing outside diameter of 10 mm	6.4 mm		133118	NPQP-T-Q12-Q10-FD-P10

Push-in Y-fitting NPQP-Y						
	Pneumatic connection, port 1	Pneumatic connection, port 2	Nominal size	Size of pack	Part no.	Type
	Male thread R1/8	For tubing outside diameter of 4 mm	2 mm	10	133081	NPQP-Y-R18-Q4-FD-P10
		For tubing outside diameter of 6 mm	2.8 mm		133083	NPQP-Y-R18-Q6-FD-P10
		For tubing outside diameter of 8 mm	4.5 mm		133085	NPQP-Y-R18-Q8-FD-P10
	Male thread R1/4	For tubing outside diameter of 4 mm	2 mm		133082	NPQP-Y-R14-Q4-FD-P10
		For tubing outside diameter of 6 mm	2.8 mm		133084	NPQP-Y-R14-Q6-FD-P10
		For tubing outside diameter of 8 mm	4.5 mm		133086	NPQP-Y-R14-Q8-FD-P10
		For tubing outside diameter of 10 mm	5.3 mm		133087	NPQP-Y-R14-Q10-FD-P10
	Male thread R3/8	For tubing outside diameter of 10 mm		133088	NPQP-Y-R38-Q10-FD-P10	
	Male thread R1/2	For tubing outer diameter of 12 mm	6.2 mm	1	133089	NPQP-Y-R38-Q12-FD-P10
				1	133090	NPQP-Y-R12-Q12-FD

## Ordering data

<b>Push-in Y-connector NPQP-Y</b>						
	Pneumatic connection, port 1	Pneumatic connection, port 2	Nominal size	Size of pack	Part no.	Type
	For tubing outer diameter of 4 mm	For tubing outside diameter of 4 mm	2.6 mm	10	133119	NPQP-Y-Q4-E-FD-P10
	For tubing outside diameter of 6 mm	For tubing outside diameter of 6 mm	4.3 mm		133120	NPQP-Y-Q6-E-FD-P10
	For tubing outer diameter of 8 mm	For tubing outside diameter of 8 mm	5.7 mm		133121	NPQP-Y-Q8-E-FD-P10
	For tubing outer diameter of 10 mm	For tubing outside diameter of 10 mm	6.7 mm		133122	NPQP-Y-Q10-E-FD-P10
	For tubing outer diameter of 12 mm	For tubing outer diameter of 12 mm	8 mm		133123	NPQP-Y-Q12-E-FD-P10

<b>Push-in Y-connector NPQP-Y, reducing</b>						
	Pneumatic connection, port 1	Pneumatic connection, port 2	Nominal size	Size of pack	Part no.	Type
	For tubing outside diameter of 6 mm	For tubing outside diameter of 4 mm	3.7 mm	10	133124	NPQP-Y-Q6-Q4-FD-P10
	For tubing outer diameter of 8 mm	For tubing outside diameter of 6 mm	5 mm		133125	NPQP-Y-Q8-Q6-FD-P10
	For tubing outer diameter of 10 mm	For tubing outside diameter of 8 mm	6.5 mm		133126	NPQP-Y-Q10-Q8-FD-P10
	For tubing outer diameter of 12 mm	For tubing outside diameter of 10 mm	7.8 mm		133127	NPQP-Y-Q12-Q10-FD-P10