

Filter Regulators MS4N-LFR – Inch Series



A filter regulator combines a filter and a pressure regulator into a single unit. The sintered filter with water separator removes contamination, pipe sinter, rust and condensate from the compressed air. The pressure setting can be adjusted with the regulator.

- Pneumatic connection: 1/8 NPT, 1/4 NPT, 3/8 NPT
- Filtration grade: 5 µm, 40 µm
- Supply pressure
 - for manual drain: 12 ... 206 psi
 - for semiautomatic drain: 22 ... 176 psi
 - for fully automatic drain: 29 ... 176 psi
- Controlled pressure range: 4.4 ... 176 psi
- Flow rate: 30.0 ... 67.1 scfm

Product Range Overview																				
Type	Pneumatic connections		Pressure regulation range [psi]			Filtration grade [µm]		Bowl guard		Bowl drain			Pressure indicator				Pressure adjustment		Reverse flow	
	Body thread	Port plate	4.4... 59	4.4 ... 103	7.4 ... 176	5	40	Plastic bowl guard	Metal bowl	Manual	Semiautomatic	Fully automatic	Cover plate (without pressure gauge)	Integrated MS pressure gauge	Adapter for pressure gauge 1/8 NPT	Adapter for pressure gauge 1/4 NPT	Pressure sensor with display	Rotary knob, lockable	Rotary knob, long	Flow direction from right to left
MS4N		AG...	D5	D6	D7	C	E	R	U	M	H	V	VS	AG	A8	A4	AD...	AS	LD	Z
LFR	1/8 NPT, 1/4 NPT, 3/8 NPT	1/8 NPT, 1/4 NPT, 3/8 NPT	■	■	■	■	■	■	■	■	■	■	■	■	■	■	■	■	■	■

Features

- Good control characteristics with low hysteresis and primary pressure compensation
- High flow rates
- Directly actuated diaphragm regulator
- Three pressure regulation ranges
- Modular, in-line or panel mounting
- Lockable rotary knob
- Available with or without secondary venting
- Two pressure gauge connections for different fitting options
- Reverse flow option for exhausting from output 2 to output 1
- Optional pressure sensor with display and electric output

Contents

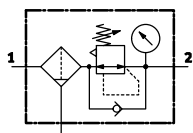
Technical Data	➔ 122
Dimensional Drawings	➔ 126
Ordering Data	➔ 129
Accessories	➔ 132
Replacement Parts	➔ 142
➔ www.festo.com/catalog/ms4n-lfr	

Filter Regulators MS4N-LFR – Inch Series

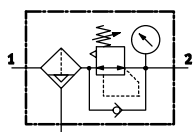
Technical Data

FESTO

ISO Symbol



Manual bowl drain



Semi or fully automatic bowl drain



General Technical Data			
Pneumatic connection 1, 2		1/8 NPT	1/4 NPT
Filtration grade	[μm]	5 (air purity class at the output 3.7.- to DIN ISO 8573-1) 40 (air purity class at the output 5.7.- to DIN ISO 8573-1)	
Supply pressure	M [psi]	12 ... 206 (manual drain)	
	H [psi]	22 ... 176 (semiautomatic drain)	
	V [psi]	29 ... 176 (fully automatic drain)	
Pressure regulation range	D5 [psi]	4.4 ... 59	
	D6 [psi]	4.4 ... 103	
	D7 [psi]	7.4 ... 176 (4.4 ... 147 with variant pressure sensor AD...)	
Max. hysteresis	[psi]	3.7	

Standard Nominal Flow Rate $q_{\text{N}}^{1)}$ [scfm]			
Pneumatic connection 1, 2		1/8 NPT	1/4 NPT
D5 – Pressure regulation range 4.4 ... 59 psi			
Filtration grade	5 μm	31.8 ²⁾	63.5 ²⁾
	40 μm	38.8 ²⁾	67.1 ²⁾
D6 – Pressure regulation range 4.4 ... 103 psi			
Filtration grade	5 μm	31.8	53.0
	40 μm	35.3	60.0
D7 – Pressure regulation range 7.4 ... 176 psi			
Filtration grade	5 μm	30.0	42.4
	40 μm	31.8	53.0

1) Measured at $p_1 = 147$ psi and $p_2 = 88$ psi, $\square p = 15$ psi

2) Measured at $p_1 = 147$ psi and $p_2 = 44$ psi, $\square p = 15$ psi

Filter Regulators MS4N-LFR – Inch Series

Technical Data



Operating and Environmental Conditions			
Bowl drain	Manual M	Semiautomatic H	Fully automatic V
Operating medium without pressure sensor AD...	Compressed air		
Operating medium with pressure sensor AD...	Filtered compressed air, lubricated or unlubricated, filtration grade 40 µm		
Max. condensate volume [in ³]	1.16 (with plastic bowl guard) 1.53 (with metal bowl)		
Bowl guard	Plastic bowl guard		
	Metal bowl		
Ambient temperature without pressure sensor AD... [°F]	14 ... 140	41 ... 140	41 ... 140
Ambient temperature with pressure sensor AD... [°F]	32 ... 122	41 ... 122	41 ... 122
Medium temperature without pressure sensor AD... [°F]	14 ... 140	41 ... 140	41 ... 140
Medium temperature with pressure sensor AD... [°F]	32 ... 122	41 ... 122	41 ... 122
Storage temperature [°F]	14 ... 140	14 ... 140	14 ... 140
Assembly position	Vertical ±5°		
Corrosion resistance CRC ¹⁾	2		

1) Corrosion resistance class 2 according to Festo standard 940 070
Components requiring moderate corrosion resistance. Externally visible parts with primarily decorative surface requirements which are in direct contact with a normal industrial environment or media such as coolants or lubricating agents.

Weights [lb]	
With plastic bowl guard	0.55
With metal bowl	0.95

- Wearing parts kits → 142
- Filter cartridges → 142
- For spare parts go to: www.festo.com/en/spare_parts_service

Filter Regulators MS4N-LFR – Inch Series

Technical Data



Standard Flow Rate q_n as a Function of Output Pressure p_2

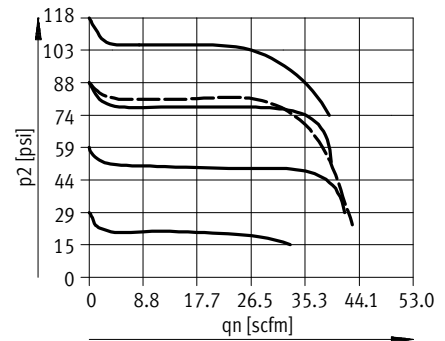
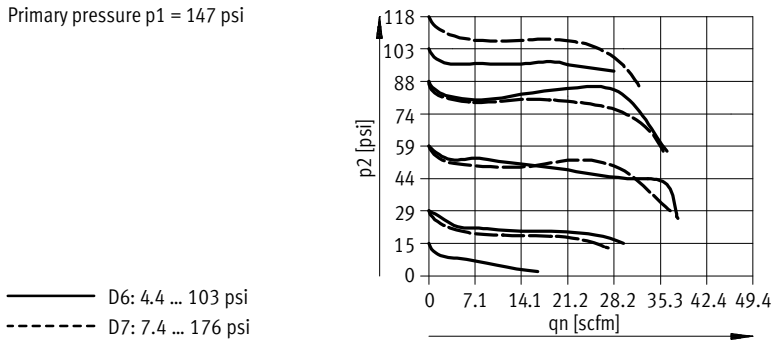
Pressure regulation range D6 or D7

Filtration grade 5 μm

Filtration grade 40 μm

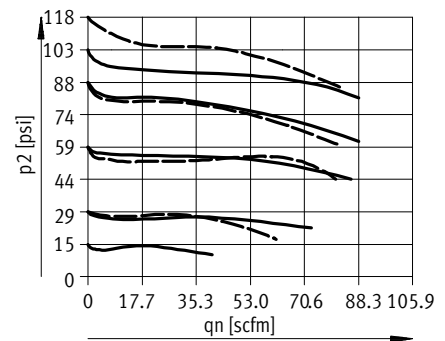
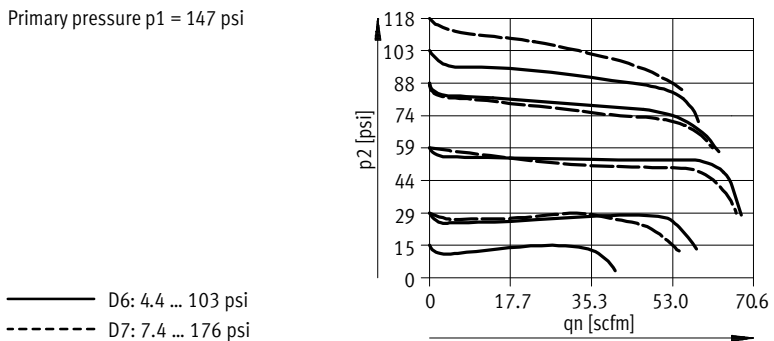
MS4N-LFR-1/8

Primary pressure $p_1 = 147$ psi



MS4N-LFR-1/4

Primary pressure $p_1 = 147$ psi

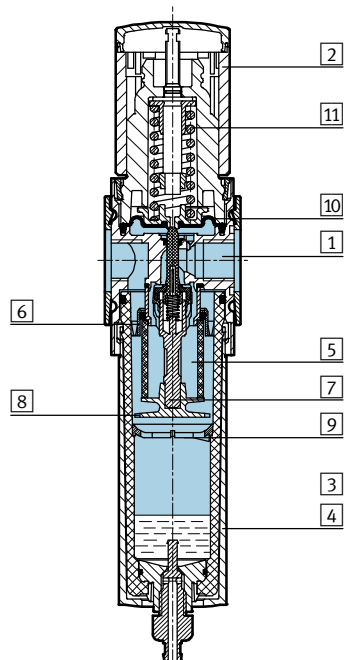


Filter Regulators MS4N-LFR – Inch Series

Technical Data

Materials

Sectional view



Filter regulator		
1	Body	Die-cast aluminum
2	Regulating knob	Polyamide/polyacetate
3	Plastic bowl guard	Polycarbonate/polyamide
4	Metal bowl Viewing window	Aluminum Polyamide
5	Filter element	Polyethylene
6	Spin disk	Polyacetate
7	Filter holder	Polyacetate
8	Separating plate	Polyacetate
9	Stabilizing disk	Polyacetate
10	Diaphragm	Nitrile rubber
11	Spring	Steel
-	Seals	Nitrile rubber
Note on materials		Free of copper and PTFE only with cover plate VS

Filter Regulators MS4N-LFR – Inch Series

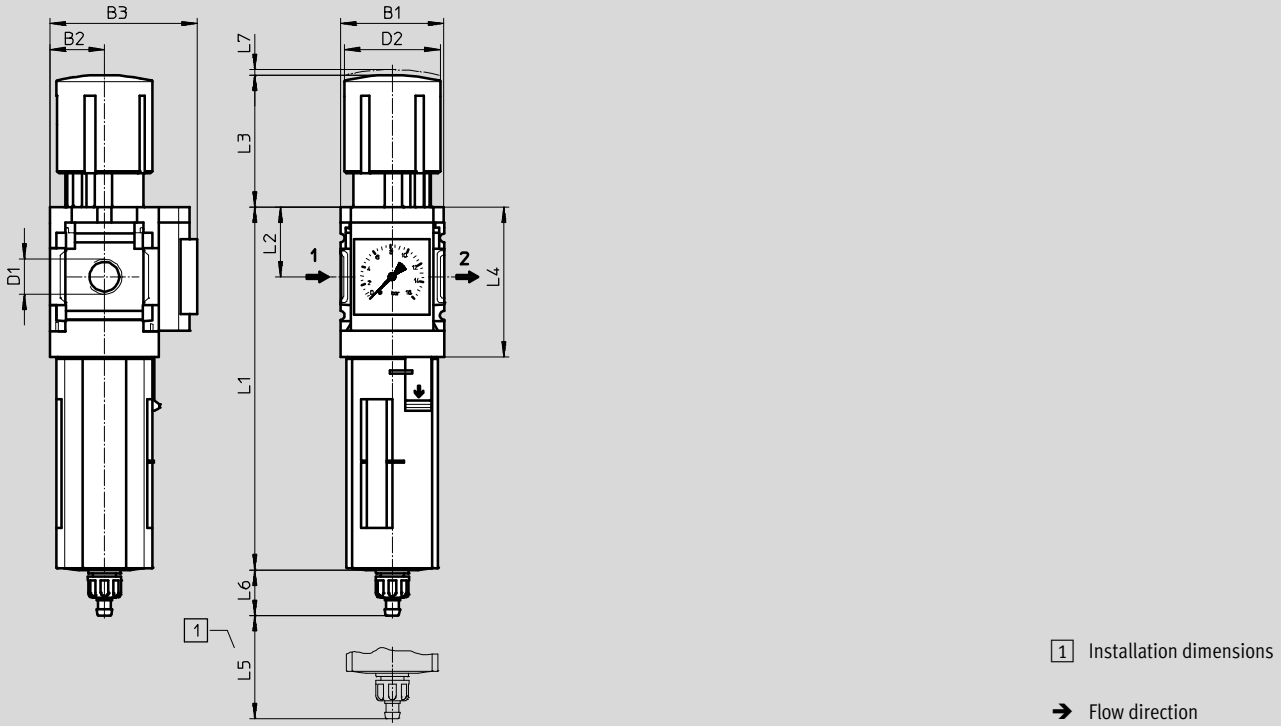
Dimensional Drawings



Dimensions¹⁾ – Standard

Download CAD Data → www.festo.com/us/cad

With pressure gauge, display unit [psi], rotary knob as standard, manual bowl drain



Type	B1	B2	B3	D1	D2	L1		L2	L3	L4	L5	L6		L7
						Bowl guard						Bowl guard		
						Plastic	Metal					Plastic	Metal	
MS4N-LFR-1/8	1.57	0.83	2.24	1/8 NPT	1.46	5.54	6.23	1.06	2.01	2.30	0.98	0.70	0.70	0.08
MS4N-LFR-1/4				1/4 NPT										

1) Dimensions are in inches, unless otherwise noted.

Filter Regulators MS4N-LFR – Inch Series

Dimensional Drawings

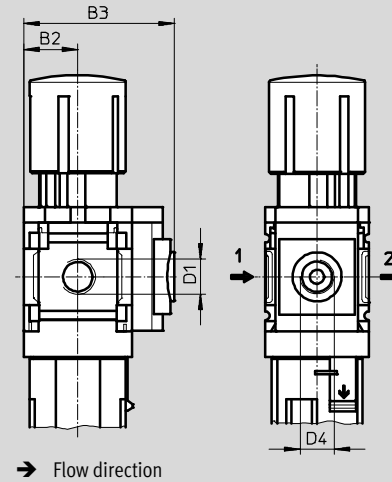
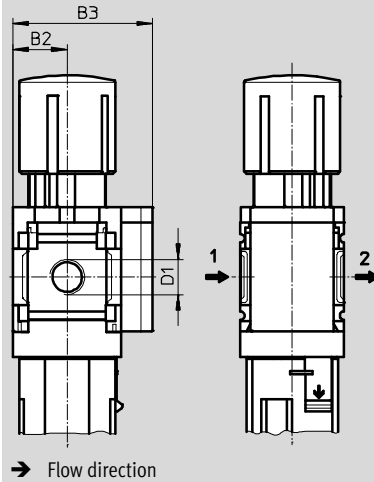


Dimensions¹⁾ – Pressure Gauge Alternatives

Download CAD Data → www.festo.com/us/cad

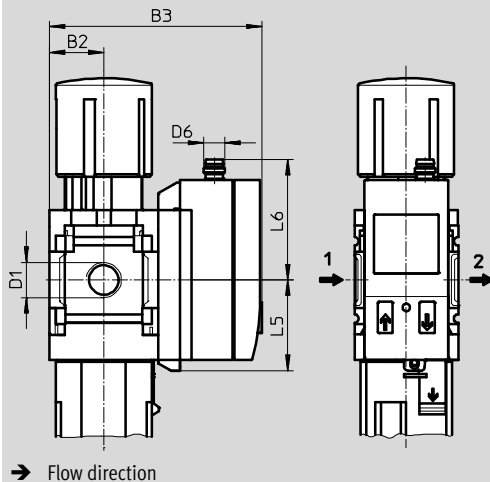
Cover plate VS

Adapter plate A8/A4 for EN pressure gauge 1/8/1/4, without pressure gauge



Pressure sensor with display AD1 ... AD4

Technical data SDE1 → www.festo.com/catalog/sde1



AD1 variants:
SDE1-D10-G2-MS-L-P1-M8 with 3-pin plug M8x1, 1 switching output PNP

AD3 variants:
SDE1-D10-G2-MS-L-PI-M12 with 4-pin plug M12x1, 1 switching output PNP and 4 ... 20 mA analog

AD2 variants:
SDE1-D10-G2-MS-L-N1-M8 with 3-pin plug M8x1, 1 switching output NPN

AD4 variants:
SDE1-D10-G2-MS-L-NI-M12 with 4-pin plug M12x1, 1 switching output NPN and 4 ... 20 mA analog

Type	B2	B3	D1	D4	D6	L5	L6
MS4N-LFR-1/8-...-VS	0.83	2.13	1/8 NPT	-	-	-	-
MS4N-LFR-1/4-...-VS			1/4 NPT				
MS4N-LFR-1/8-...-A8	0.83	2.30	1/8 NPT	G1/8	-	-	-
MS4N-LFR-1/4-...-A8			1/4 NPT				
MS4N-LFR-1/8-...-A4	0.83	2.30	1/8 NPT	G1/4	-	-	-
MS4N-LFR-1/4-...-A4			1/4 NPT				
MS4N-LFR-1/8-...-AD1/AD2	0.83	3.25	1/8 NPT	-	M8x1	1.38	1.84
MS4N-LFR-1/4-...-AD1/AD2			1/4 NPT				
MS4N-LFR-1/8-...-AD3/AD4	0.83	3.25	1/8 NPT	-	M12x1	1.38	2.20
MS4N-LFR-1/4-...-AD3/AD4			1/4 NPT				

1) Dimensions are in inches, unless otherwise noted.

Filter Regulators MS4N-LFR – Inch Series

Dimensional Drawings



Dimensions¹⁾ – Rotary Knob Download CAD Data → www.festo.com/us/cad

For installation into control panel

Standard

Standard, lockable AS

Long LD

Long, lockable LD-AS

1) Max. control panel thickness

Type	B4	B5	D2	D3 +0.04	L3	L8	L9
MS4N-LFR-...	-	-	1.46	1.18	2.01	0.51	0.24
MS4N-LFR-...-AS	1.90	1.17			2.37		
MS4N-LFR-...-LD	-	-	1.46	-	2.01	-	-
MS4N-LFR-...-LD-AS	1.90	1.17			2.37		

1) Dimensions are in inches, unless otherwise noted.

Dimensions¹⁾ – Bowl Drain Download CAD Data → www.festo.com/us/cad

Manual M

Barbed fitting for plastic tubing
PCN-4

Semiautomatic H

QS fitting for plastic tubing
PUN-6/PAN-6

Fully automatic V

Barbed fitting for plastic tubing
PCN-4

Type	L6
Plastic bowl guard	
MS4N-LFR-...-M	0.70
Metal bowl	
MS4N-LFR-...-M	0.70

Type	L6
Plastic bowl guard	
MS4N-LFR-...-H	0.87
Metal bowl	
MS4N-LFR-...-H	0.87

Type	L6
Plastic bowl guard	
MS4N-LFR-...-V	0.80
Metal bowl	
MS4N-LFR-...-V	0.80

1) Dimensions are in inches, unless otherwise noted.

Filter Regulators MS4N-LFR – Inch Series

Ordering Data – Pre-configured Products

FESTO

Ordering Data							
Pressure regulation range 4.4 ... 103 psi							
Bowl drain	Connection	Filtration grade 5 µm			Filtration grade 40 µm		
		Part No.	Type	LT	Part No.	Type	LT
Plastic bowl guard							
Manual	1/8 NPT	531230	MS4N-LFR-1/8-D6-CRM-AS	1D	531222	MS4N-LFR-1/8-D6-ERM-AS	1D
	1/4 NPT	531229	MS4N-LFR-1/4-D6-CRM-AS	1D	531221	MS4N-LFR-1/4-D6-ERM-AS	1D
Fully automatic	1/8 NPT	531234	MS4N-LFR-1/8-D6-CRV-AS	1D	531226	MS4N-LFR-1/8-D6-ERV-AS	1D
	1/4 NPT	531233	MS4N-LFR-1/4-D6-CRV-AS	1D	531225	MS4N-LFR-1/4-D6-ERV-AS	1D

Ordering Data							
Pressure regulation range 7.4 ... 176 psi							
Bowl drain	Connection	Filtration grade 5 µm			Filtration grade 40 µm		
		Part No.	Type	LT	Part No.	Type	LT
Plastic bowl guard							
Manual	1/8 NPT	531214	MS4N-LFR-1/8-D7-CRM-AS	1D	531206	MS4N-LFR-1/8-D7-ERM-AS	1D
	1/4 NPT	531213	MS4N-LFR-1/4-D7-CRM-AS	1D	531205	MS4N-LFR-1/4-D7-ERM-AS	1D
Fully automatic	1/8 NPT	531218	MS4N-LFR-1/8-D7-CRV-AS	1D	531210	MS4N-LFR-1/8-D7-ERV-AS	1D
	1/4 NPT	531217	MS4N-LFR-1/4-D7-CRV-AS	1D	531209	MS4N-LFR-1/4-D7-ERV-AS	1D
Metal bowl							
Manual	1/8 NPT	535734	MS4N-LFR-1/8-D7-CUM-AS	Q	535740	MS4N-LFR-1/8-D7-EUM-AS	Q
	1/4 NPT	535750	MS4N-LFR-1/4-D7-CUM-AS	Q	535756	MS4N-LFR-1/4-D7-EUM-AS	Q
Fully automatic	1/8 NPT	535736	MS4N-LFR-1/8-D7-CUV-AS	Q	535738	MS4N-LFR-1/8-D7-EUV-AS	Q
	1/4 NPT	535752	MS4N-LFR-1/4-D7-CUV-AS	Q	535754	MS4N-LFR-1/4-D7-EUV-AS	Q

LT = Lead time 1D typically ships same day/next day 3D typically ships within 3 days

Filter Regulators MS4N-LFR – Inch Series



Ordering Data – Configurable Products

M Mandatory Data →

Part No.	Series	Size	Thread	Function	Connection size	Pressure regulation range	Filtration grade	Bowl
527694	MS	4	N	LFR	1/8, 1/4, AQK, AQN, AQP	D5 D6 D7	E C	R U
Order example								
527694	MS	4	N	- LFR	- AQK	- D6	- C	- R

Ordering Table

Grid dimension	[mm]	40	Conditions	Code	Enter code
M Part No.	527694				
Series	Standard			MS	MS
Size	4			4	4
Thread	NPT thread			N	N
Function	Filter regulator			-LFR	-LFR
Connection size	Body thread 1/8 NPT			-1/8	
	Body thread 1/4 NPT			-1/4	
	Port plate 1/8 NPT (dimensions → 137)			-AQK	
	Port plate 1/4 NPT (dimensions → 137)			-AQN	
	Port plate 3/8 NPT (dimensions → 137)			-AQP	
Pressure regulation range	4.4 ... 59 psi			-D5	
	4.4 ... 103 psi			-D6	
	7.4 ... 176 psi			-D7	
Filtration grade	40 µm			-E	
	5 µm			-C	
Bowl	Plastic bowl with plastic bowl guard			-R	
	Metal bowl			-U	

Transfer order code

Filter Regulators MS4N-LFR – Inch Series



Ordering Data – Configurable Products

M		Options					
Bowl drain	Pressure gauge alternatives	Alternative pressure gauge scale	Secondary venting	Rotary knob	Security	Type of mounting	Reverse flow direction
M H V	VS A8 A4 AD1 AD2 AD3 AD4	BAR MPA	OS	LD	AS	WR WP WPM WB WBM	Z
- M	- A8	-	-	- LD	- AS	- WPM	- Z

Ordering Table		Grid dimension [mm]	40	Conditions	Code	Enter code
M	Bowl drain	Manual			-M	
		Semiautomatic (P1 max. 176 psi)			-H	
		Fully automatic (P1 max. 176 psi)			-V	
O	Pressure gauge alternatives	Cover plate			-VS	
		Adapter plate for EN pressure gauge 1/8, without pressure gauge			-A8	
		Adapter plate for EN pressure gauge 1/4, without pressure gauge			-A4	
		Pressure sensor with display, M8 plug, 1 switching output PNP, 3-pin	1		-AD1	
		Pressure sensor with display, M8 plug, 1 switching output NPN, 3-pin	1		-AD2	
		Pressure sensor with display, M12 plug, 1 switching output PNP, 4-pin, analog output 4 ... 20 mA	1		-AD3	
		Pressure sensor with display, M12 plug, 1 switching output NPN, 4-pin, analog output 4 ... 20 mA	1		-AD4	
Alternative pressure gauge scale	bar	2		-BAR		
	MPa	2		-MPA		
Secondary venting	Without secondary venting			-OS		
Rotary knob	Long rotary knob			-LD		
Security	Lockable rotary knob			-AS		
Type of mounting	Mounting bracket with knurled nut for regulator head (dimensions → 135)	3		-WR		
	Mounting bracket (dimensions → 138)	4		-WP		
	Mounting bracket (dimensions → 138)	4		-WPM		
	Mounting bracket (dimensions → 134)			-WB		
	Mounting bracket (dimensions → 134)			-WBM		
Reverse flow direction	Flow direction from right to left			-Z		

1 AD1 ... AD4 Measuring range max. 147 psi

2 BAR, MPA Not with pressure gauge alternatives VS, A8, A4, AD1, AD2, AD3, AD4

3 WR Not with long rotary knob LD

4 WP, WPM Only with port plate AQK, AQN or AQP

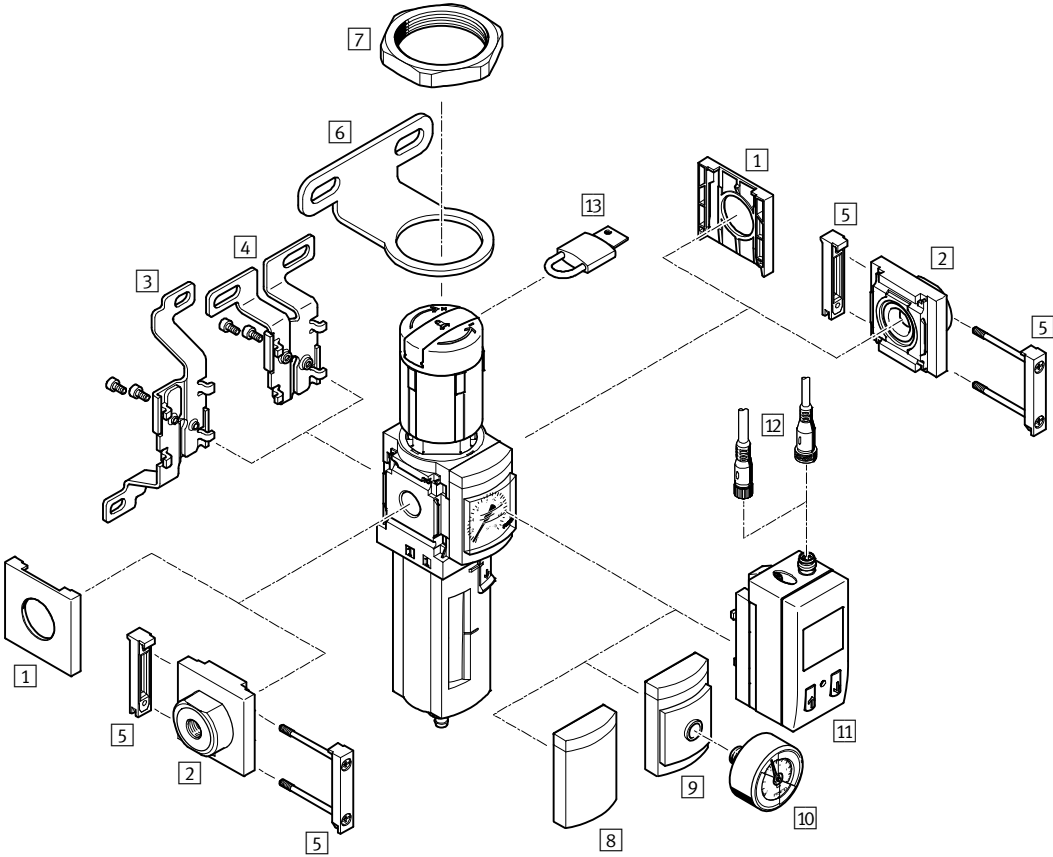
Transfer order code

- [] - [] - [] - [] - [] - [] - [] - []

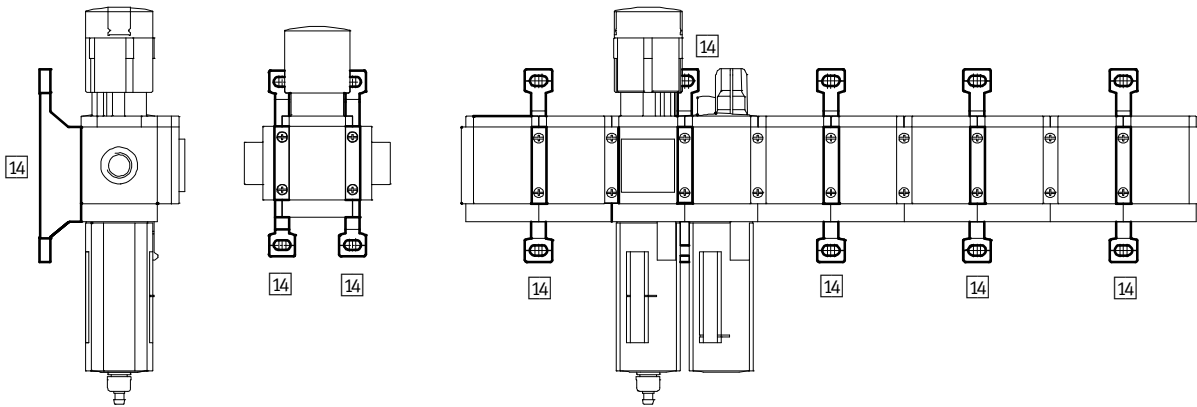
Filter Regulators MS4N-LFR – Inch Series

Accessories Overview

Mounting Attachments and Accessories



Single unit and combination unit mounting brackets.



Filter Regulators MS4N-LFR – Inch Series

Accessories Overview



Mounting Attachments and Accessories						
		Single unit		Combination unit		→ Page
		without port plate	with port plate	without port plate	with port plate	
1	Cover cap MS4-END	■	-	■	-	136
2	Port plate MS4N-AQ...	-	■	-	■	137
3	Mounting bracket MS4-WB	■	■	-	-	134
4	Mounting bracket MS4-WBM	■	■	-	-	134
5	Body connector MS4-MV	-	■	■	■	137
6	Regulator wall bracket MS4-WR	■	■	-	-	135
7	Hex nut MS4-WRS	■	■	■	■	135
8	Cover plate VS	■	■	■	■	130
9	Adapter for EN pressure gauge 1/8/1/4 A8/A4	■	■	■	■	130
10	Pressure gauge MA	■	■	■	■	141
11	Pressure sensor SDE1-...-MS AD1 ... AD4	■	■	■	■	130
12	Plug socket with cable SIM-M8-3.../SIM-M12-4...	■	■	■	■	141
13	Padlock LRVS-D	■	■	■	■	141
14	Mounting bracket MS4-WP/WPB/WPM	-	■	■	■	138

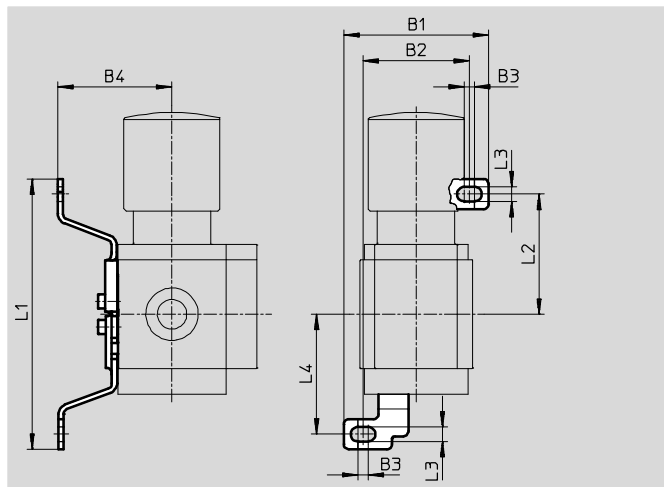
Filter Regulators MS4N-LFR – Inch Series

Accessories

3 Mounting bracket MS4-WB

- For wall mounting

Material:
Steel

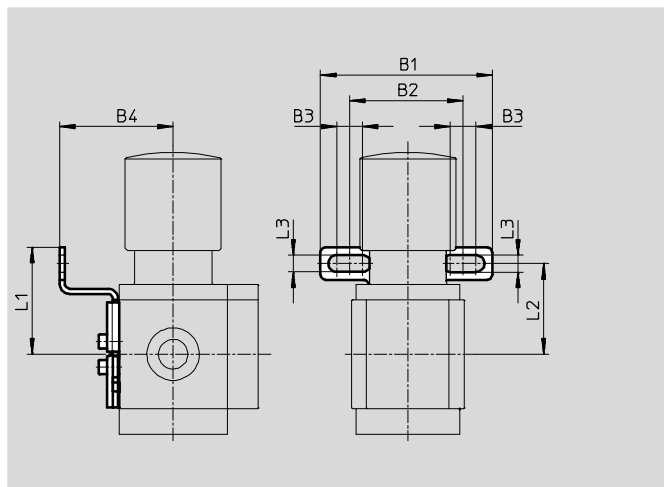


Dimensions and Ordering Data										
B1	B2	B3	B4	L1	L2	L3	L4	Weight [lb]	Part No.	Type
2.21	1.62	0.16	1.74	4.12	1.83	0.22	1.83	0.09	532185	MS4-WB

4 Mounting bracket MS4-WBM

- For wall mounting

Material:
Steel



Dimensions and Ordering Data									
B1	B2	B3	B4	L1	L2	L3	Weight [lb]	Part No.	Type
2.62	1.73	0.39	1.73	1.63	1.38	0.26	0.10	526062	MS4-WBM

Filter Regulators MS4N-LFR – Inch Series

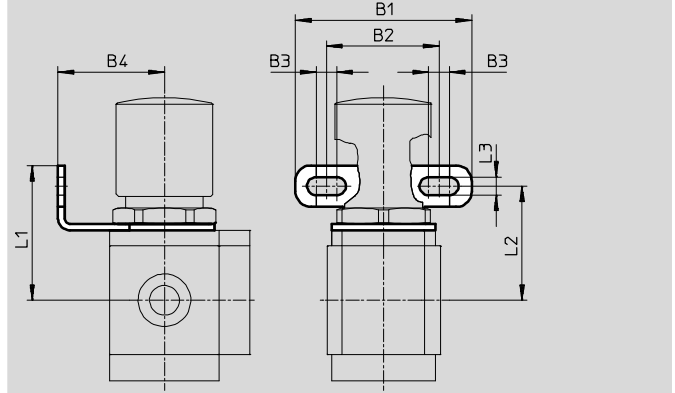
Accessories

6 Mounting bracket MS4-WR

- For wall mounting a filter regulator and pressure regulator

Material:
Steel

Note
The hex nut for attaching components to this bracket must be ordered separately.

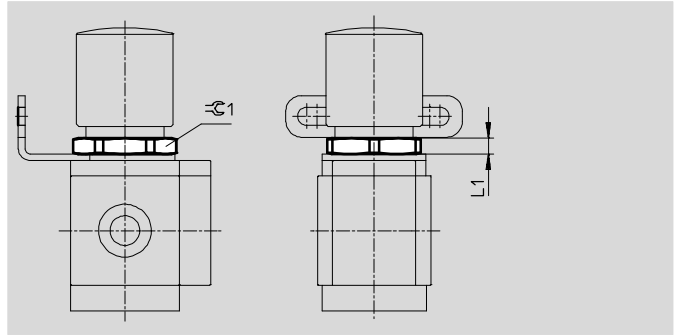


Dimensions and Ordering Data									
B1	B2	B3	B4	L1	L2	L3	Weight [lb]	Part No.	Type
2.68	1.73	0.31	1.61	2.05	1.73	0.28	0.10	526064	MS4-WR

7 Hex nut MS4-WRS

- For front panel mounting
- For attaching components to the mounting bracket MS-WR

Material:
Aluminum



Dimensions and Ordering Data				
L1	$\approx \text{C} 1$	Weight [lb]	Part No.	Type
0.24	1.42	0.01	532187	MS4-WRS

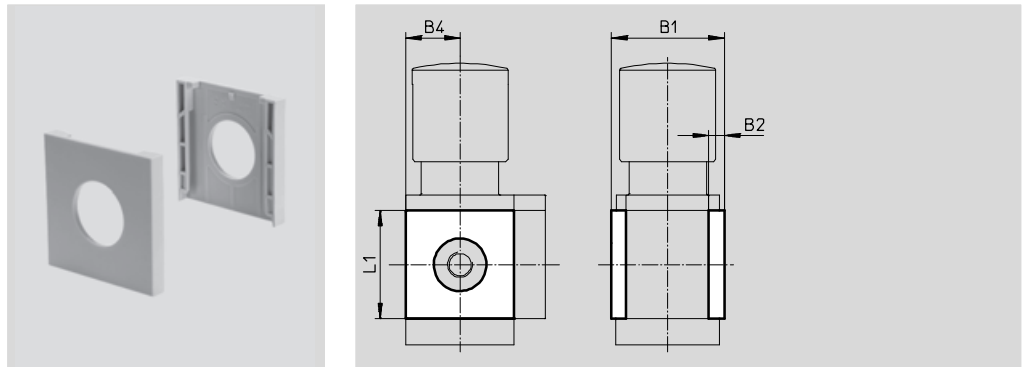
Filter Regulators MS4N-LFR – Inch Series

Accessories

1 Cover cap MS4-END

- Can be used to cover the body sides of the first and last module if port plates are not used.

Material:
Reinforced polyamide
Free of copper and PTFE

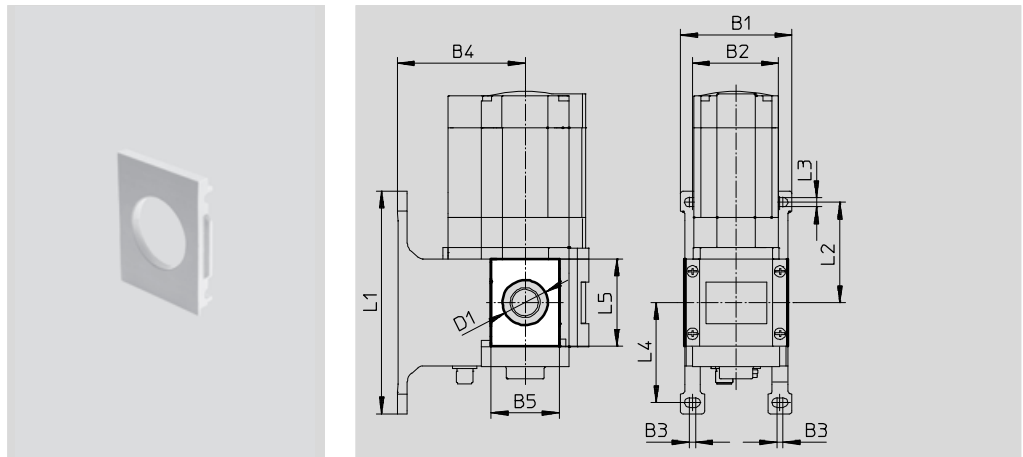


Dimensions and Ordering Data						
B1	B2	B4	L1	Part No.	Type	
1.72	0.24	0.83	1.65	538779	MS4-END	

Mounting plate MS4-AEND

- In combination with mounting bracket MS-WP or MS-WPB for mounting an individual unit with body thread on a wall

Material:
Reinforced polyamide
Conforms to RoHS
Free of copper and PTFE



Dimensions and Ordering Data															
B1	B2	B3	B4		B5	D1 ∅	L1	L2	L3	L4	L5	CRC ¹⁾	Weight [lb]	Part No.	Type
			WP	WPB											
2.17	1.58	0.16	1.73	2.60	1.20	0.80	4.17	1.83	0.22	1.84	1.65	2	0.01	542966	MS4-AEND

1) Corrosion resistance class 2 according to Festo standard 940 070
Components requiring moderate corrosion resistance. Externally visible parts with primarily decorative surface requirements which are in direct contact with a normal industrial environment or media such as coolants or lubricating agents.

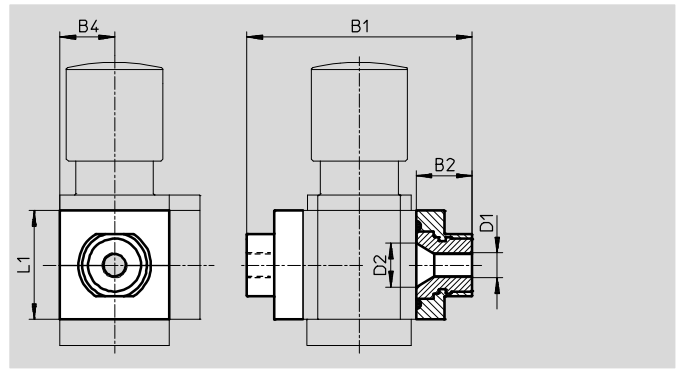
Filter Regulators MS4N-LFR – Inch Series

Accessories

2 Port plate MS4N-AQ...

- Adapter for pneumatic connection

Material:
Aluminum



Dimensions and Ordering Data								
B1	B2	B4	D1	D2	L1	Weight [lb]	Part No.	Type
3.29	0.85	0.83	1/8 NPT	0.66	1.65	0.26	526065	MS4N-AQK
			1/4 NPT				526066	MS4N-AQN
			3/8 NPT				526067	MS4N-AQP

5 Body connector MS4-MV

- For connecting modules

Material:
Stainless steel/polyacetate



Ordering Data			
Weight [lb]		Part No.	Type
0.07		532798	MS4-MV

Filter Regulators MS4N-LFR – Inch Series

Accessories



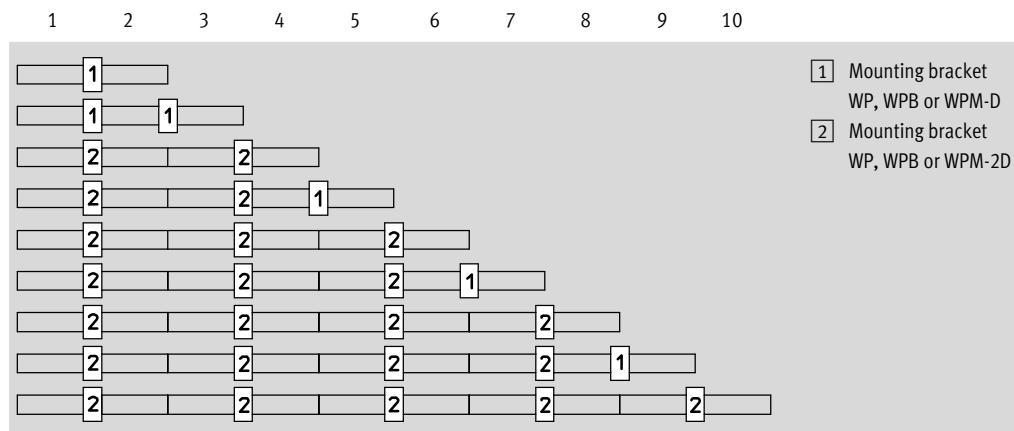
14 Mounting Bracket MS4-WP...

Suggested placement of wall mounting brackets when mounting air preparation combinations

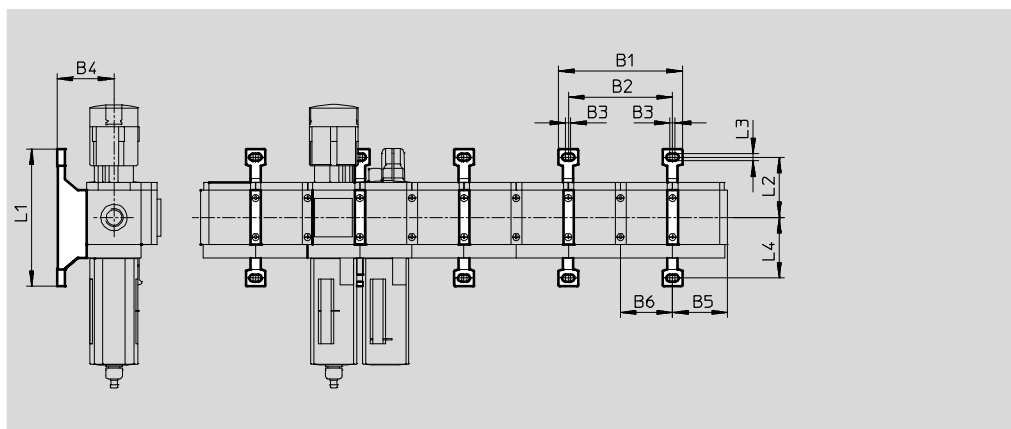
1 unit: 1.575 in

2 units: 3.15 in

Number of units



Mounting dimensions



Type	B1	B2	B3	B4	B5	B6	L1	L2	L3	L4
MS4-WP	3.75	3.15	0.16	1.73	1.65	1.57	4.17	1.83	0.22	1.84
MS4-WPB				2.60						
MS4-WPM-...D				1.73						

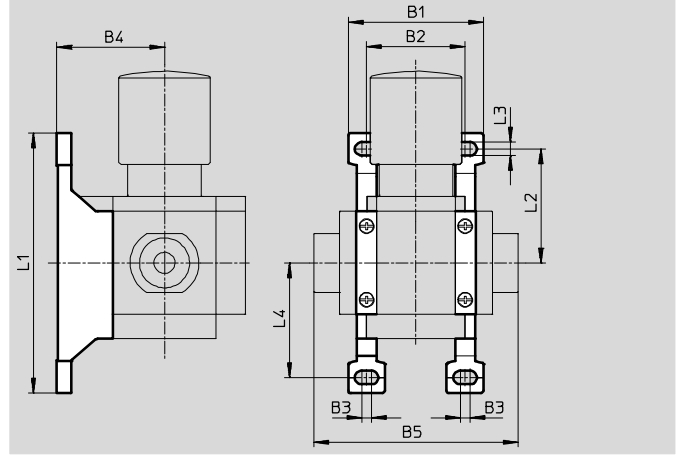
Filter Regulators MS4N-LFR – Inch Series

Accessories

Mounting bracket MS4-WP

- To connect the modules for wall mounting
- In combination with a port plate MS-AG... for mounting an individual unit on a wall
- In combination with mounting plate MS-AEND or for mounting an individual unit with body thread on a wall
- For pressure regulator LRB with angled outlet block B... at rear

Material:
Die-cast aluminum

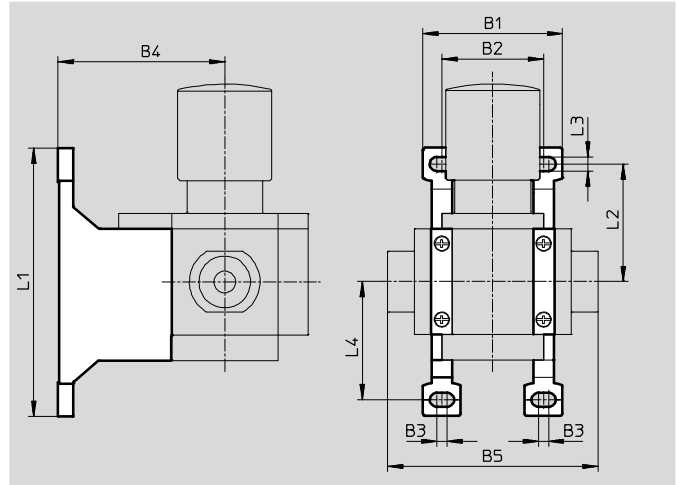


Dimensions and Ordering Data											
B1	B2	B3	B4	B5	L1	L2	L3	L4	Weight [lb]	Part No.	Type
2.17	1.58	0.16	1.73	3.28	4.17	1.83	0.22	1.84	0.08	532184	MS4-WP

Mounting bracket MS4-WPB

- To connect the modules for wall mounting
- In combination with a port plate MS-AG... for mounting an individual unit on a wall
- In combination with mounting plate MS-AEND or for mounting an individual unit with direct thread on a wall
- Provides large wall gap for pressure regulator

Material:
Die-cast aluminum



Dimensions and Ordering Data											
B1	B2	B3	B4	B5	L1	L2	L3	L4	Weight [lb]	Part No.	Type
2.17	1.58	0.16	2.60	3.28	4.17	1.83	0.22	1.84	0.11	526063	MS4-WPB

Filter Regulators MS4N-LFR – Inch Series

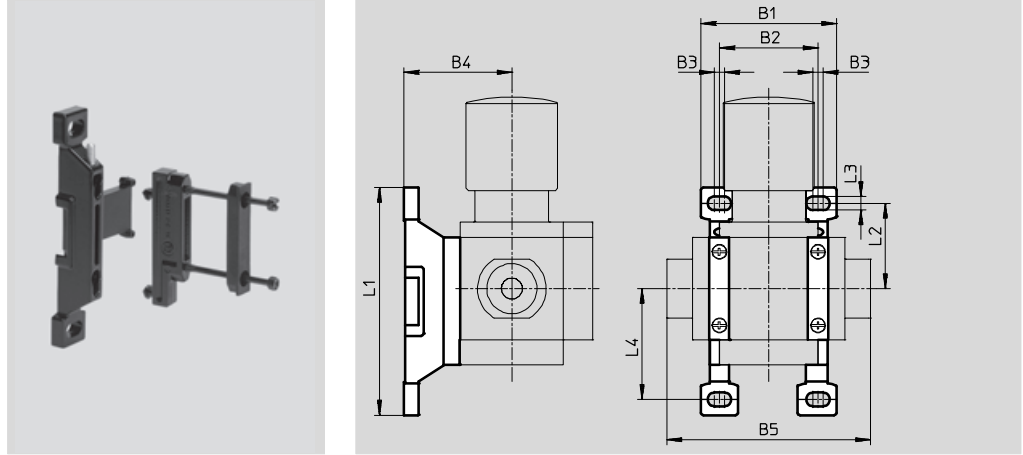
Accessories

Mounting bracket MS4-WPM

- To connect the modules for wall mounting
- In combination with a port plate MS-AG... for mounting an individual unit on a wall
- Speedy attachment and detachment
- For installation of modules with regulating knob pointing downwards

The distance piece D or 2D (designated in the type code) is included in the scope of delivery and ensures the correct clearance

Material:
Die-cast aluminum



Dimensions and Ordering Data												
B1	B2	B3	B4	B5	L1	L2	L3	L4	Clearance	Weight [lb]	Part No.	Type
2.17	1.57	0.16	1.73	3.28	3.65	1.37	0.22	1.78	1.57	0.09	526060	MS4-WPM-D
3.75	3.15			4.86					3.15	0.11	526061	MS4-WPM-2D

Body connector MS4-MVM

- For installation of modules with regulating knob pointing downwards

Material:
Die-cast aluminum


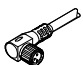




Ordering Data		
Size	Part No.	Type
MS4	532800	MS4-MVM


Filter Regulators MS4N-LFR – Inch Series


Accessories



11 Ordering Data – Plug Socket with Cable SIM-M8			Technical data → www.festo.com/catalog/sim-m8	
	Electrical connection	Cable length [ft]	Part No.	Type
				M8x1, 3-pin
	16.4	159421	SIM-M8-3GD-5-PU	
	32.8	192964	SIM-M8-3GD-10-PU	
	M8x1, 3-pin	8.2	159422	SIM-M8-3WD-2,5-PU
		16.4	159423	SIM-M8-3WD-5-PU
		32.8	192965	SIM-M8-3WD-10-PU

11 Ordering Data – Plug Socket with Cable SIM-M12			Technical data → www.festo.com/catalog/sim-m12	
	Electrical connection	Cable length [ft]	Part No.	Type
				M12x1, 4-pin
	M12x1, 4-pin	16.4	164258	SIM-M12-4WD-5-PU

10 Ordering Data – Pressure Gauge MA				Technical data → www.festo.com/catalog/ma		
	Nominal size	Pneumatic connection	Indicating range		Part No.	Type
			[bar]	[psi]		
	Pressure gauge MA, DIN EN 837-1					
	1.57	¼ NPT	0 ... 16	0 ... 232	183908	MA-40-16-N¼-EN
	Pressure gauge MA, DIN EN 837-1, with red-green range					
	1.57	⅙ NPT	–	0 ... 232	530388	MA-40-232-N⅙-PSI-E-RG
	1.97	¼ NPT	–	0 ... 232	530391	MA-50-232-N¼-PSI-E-RG

13 Ordering Data – Padlock LRVS-D			
	Description	Weight [lb]	Part No. Type
	for regulators, filter/regulators and manual on-off valves	0.24	193786 LRVS-D

Filter Regulators MS4N-LFR – Inch Series

Replacement Parts

FESTO

Ordering Data – Wearing Parts Kits			
Size	Description	Part No.	Type
MS4	Snap-ring, membrane, bellows, O-rings, screws, stem	673647	MS4-LFR



Ordering Data – Filter Cartridges			
Size	Filtration grade [µm]	Part No.	Type
MS4	5	534501	MS4-LFP-C
	40	534502	MS4-LFP-E

- For spare parts go to: www.festo.com/en/spare_parts_service

Festo - Your Partner in Automation



1 Festo Inc.
5300 Explorer Drive
Mississauga, ON L4W 5G4
Canada

Festo Customer Interaction Center
Tel: 1 877 463 3786
Fax: 1 877 393 3786
Email: customer.service.ca@festo.com



2 Festo Pneumatic
Av. Ceylán 3,
Col. Tequesquináhuac
54020 Tlalnepantla,
Estado de México

Multinational Contact Center
01 800 337 8669
ventas.mexico@festo.com



3 Festo Corporation
1377 Motor Parkway
Suite 310
Islandia, NY 11749

Festo Customer Interaction Center
1 800 993 3786
1 800 963 3786
customer.service.us@festo.com



4 Regional Service Center
7777 Columbia Road
Mason, OH 45040

Connect with us



www.festo.com/socialmedia



www.festo.com

Subject to change